



US00D562946S

(12) **United States Design Patent**
Wang

(10) **Patent No.:** **US D562,946 S**

(45) **Date of Patent:** **** Feb. 26, 2008**

(54) **FAUCET**

D521,126 S * 5/2006 Kemp D23/257

(75) Inventor: **Ruler Wang**, Taichung (TW)

* cited by examiner

(73) Assignee: **Globe Union Industrial Corp.**,
Taichung (TW)

Primary Examiner—Robert A. Delehanty
(74) *Attorney, Agent, or Firm*—Leong C. Lei

(**) Term: **14 Years**

(57) **CLAIM**

(21) Appl. No.: **29/246,534**

The ornamental design for a faucet, as shown and described.

(22) Filed: **Apr. 21, 2006**

DESCRIPTION

(51) **LOC (8) Cl.** **23-01**

FIG. 1 is a perspective view of a faucet showing my new design;

(52) **U.S. Cl.** **D23/242**

FIG. 2 is a front elevational view thereof;

(58) **Field of Classification Search** D23/238–243,
D23/250–257; 4/675–678; 137/801

FIG. 3 is a rear elevational view thereof;

See application file for complete search history.

FIG. 4 is a left side elevational view thereof;

FIG. 5 is a right side elevational view thereof; and,

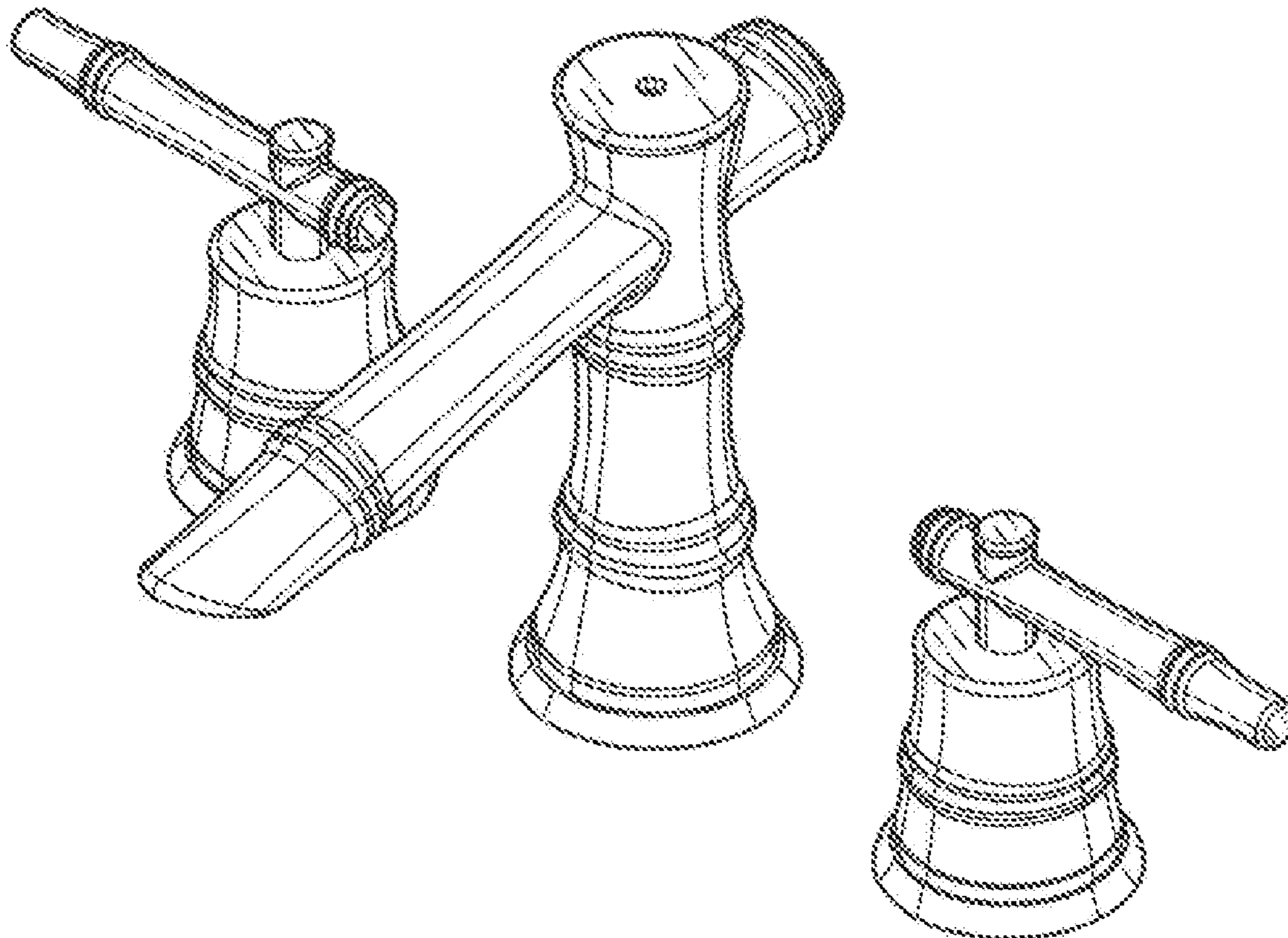
FIG. 6 is a top plan view thereof.

(56) **References Cited**

U.S. PATENT DOCUMENTS

D517,171 S * 3/2006 Shieh D23/242

1 Claim, 4 Drawing Sheets



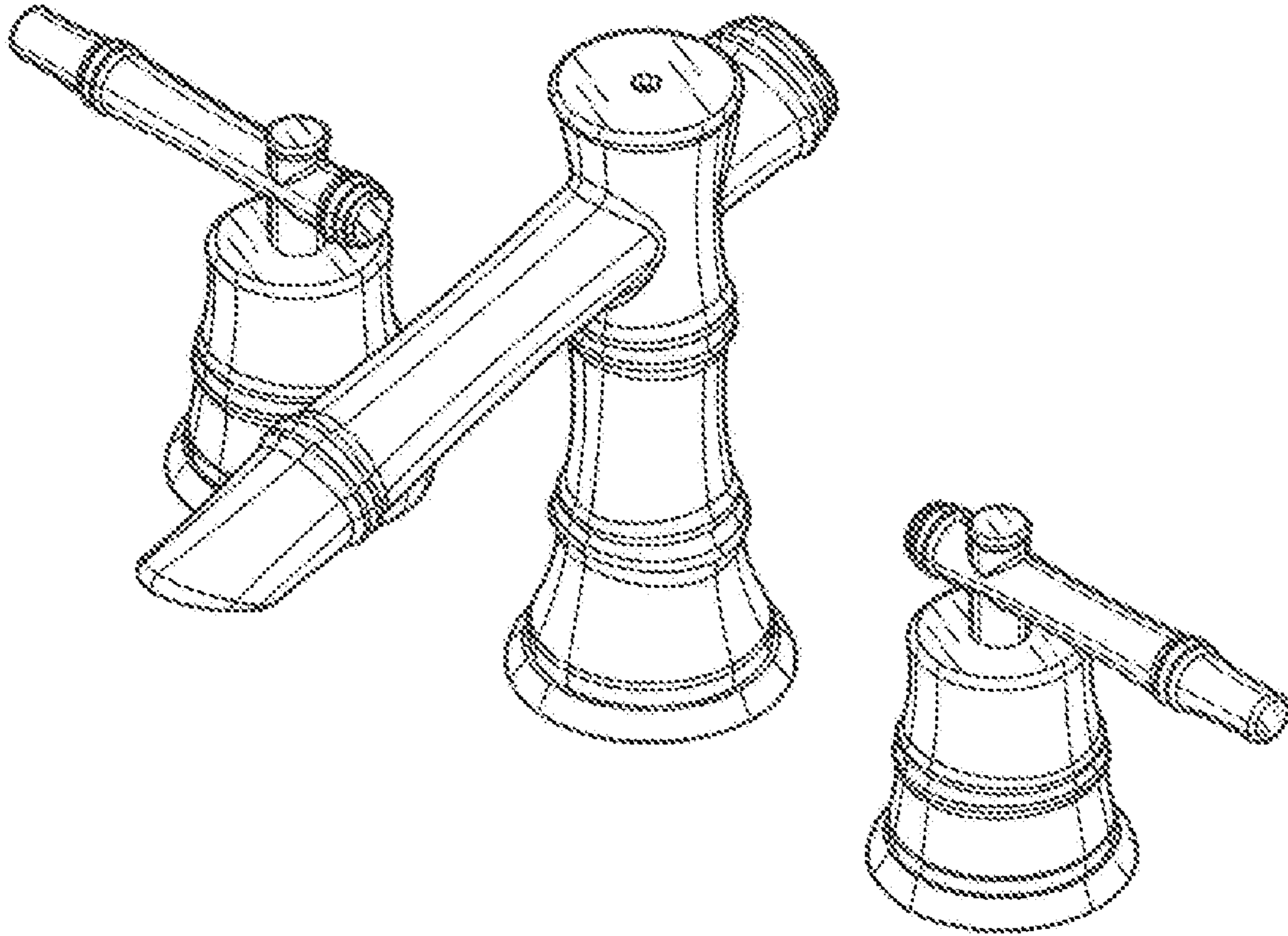


FIG. 1

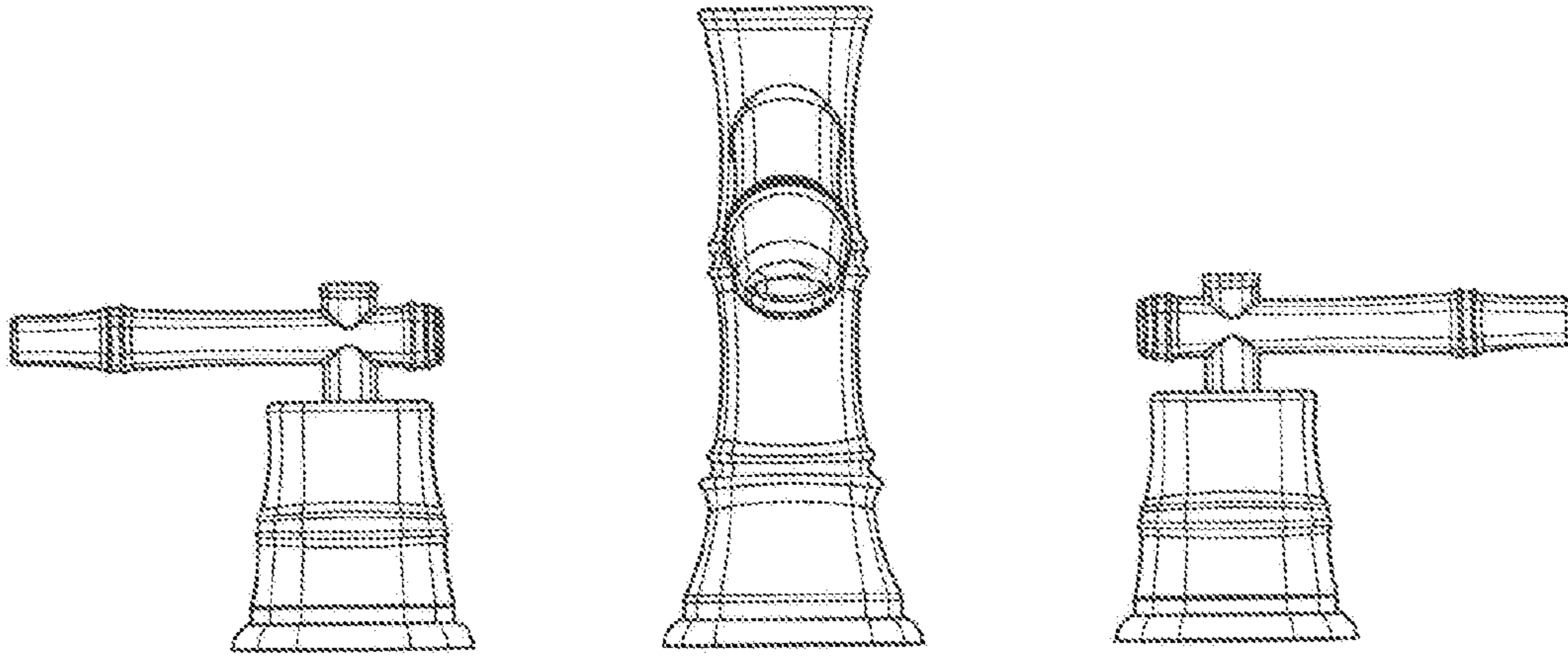


FIG. 2

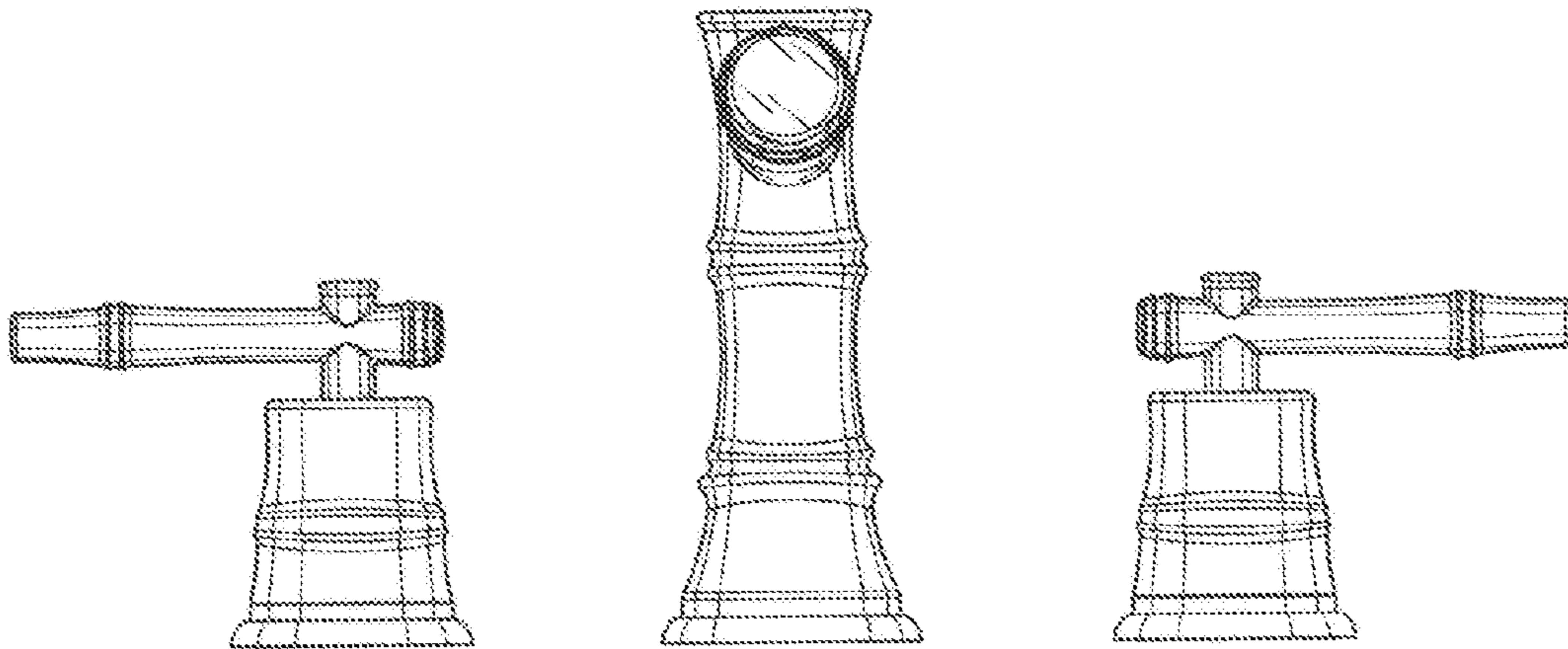


FIG. 3

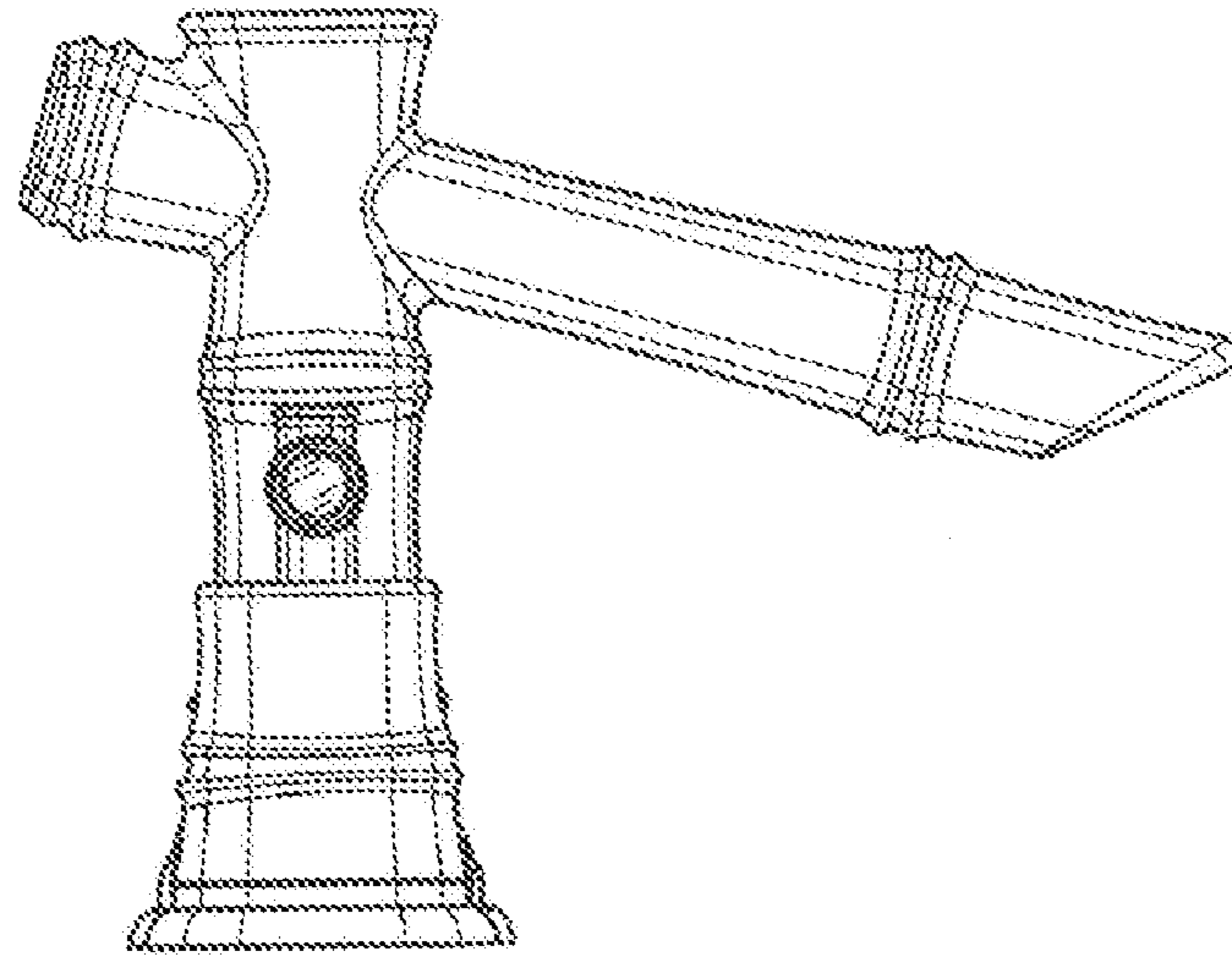


FIG. 4

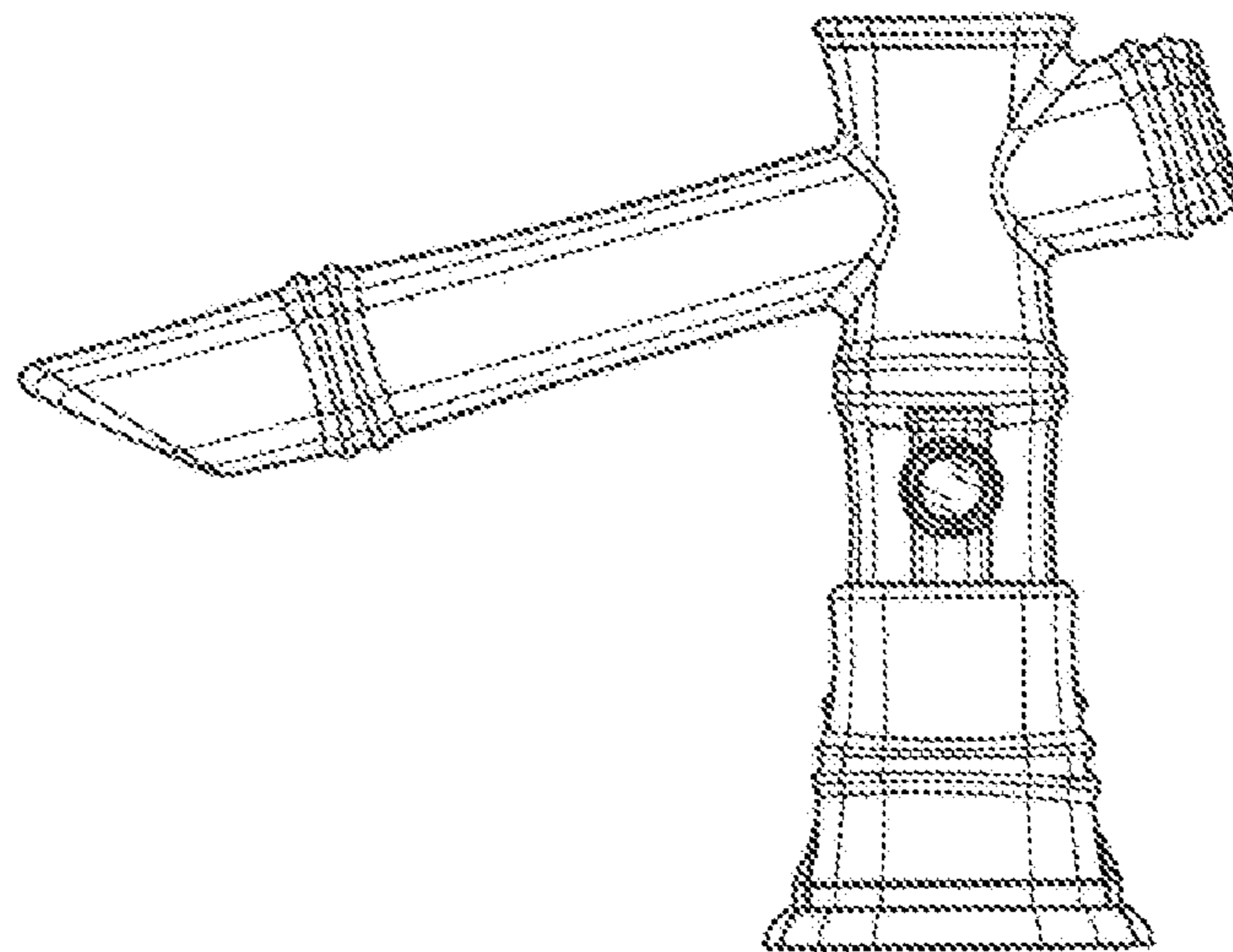


FIG. 5

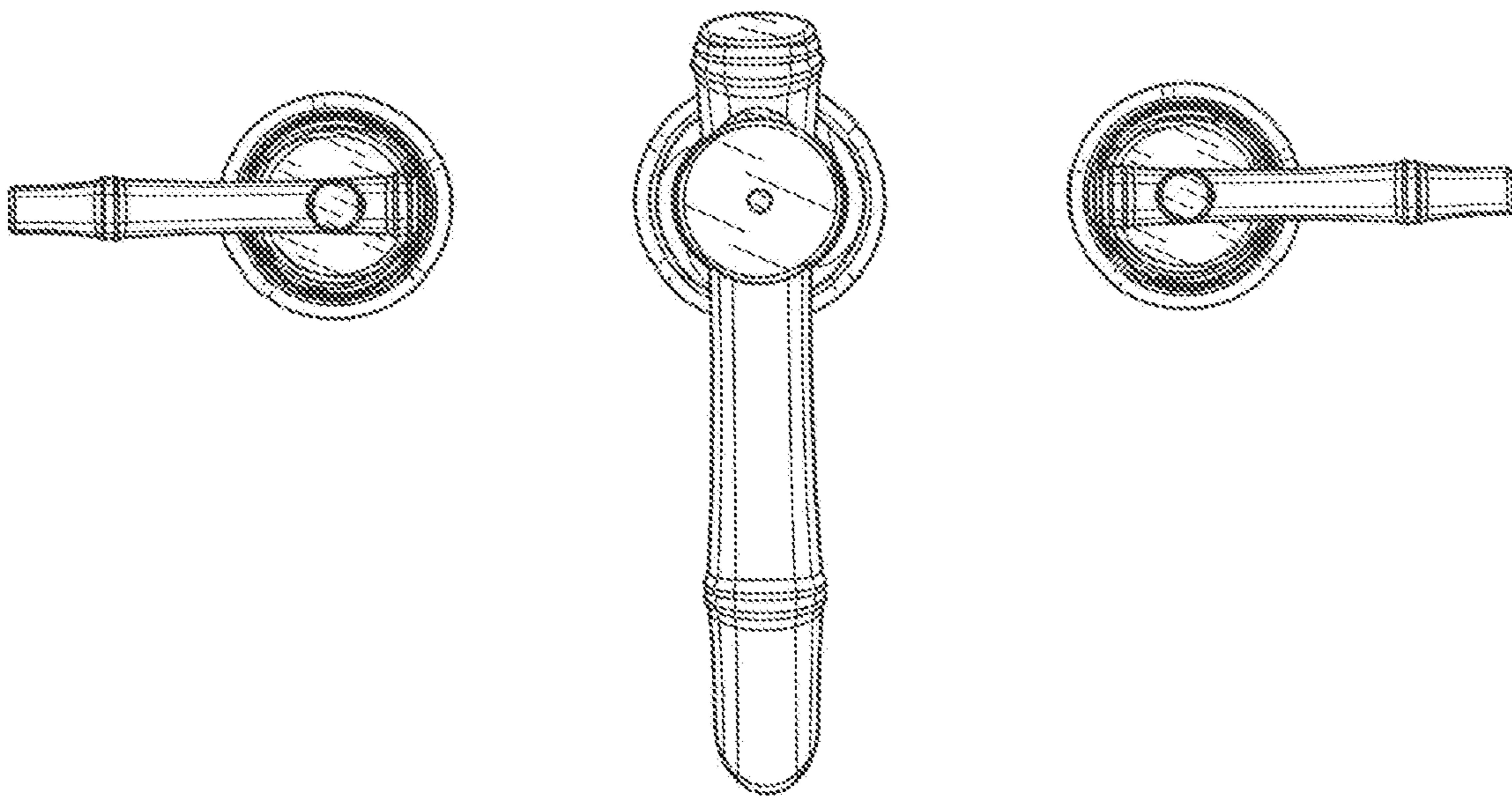


FIG. 6