

US00D562945S

(12) **United States Design Patent**  
**Yang**

(10) **Patent No.:** **US D562,945 S**

(45) **Date of Patent:** **\*\* Feb. 26, 2008**

(54) **FAUCET BODY**

(76) Inventor: **Tsai Chen Yang**, 235 Chung - Ho Box  
8-24, Taipei (TW)

(\*\*) Term: **14 Years**

(21) Appl. No.: **29/243,483**

(22) Filed: **Nov. 28, 2005**

(51) **LOC (8) Cl.** ..... **23-01**

(52) **U.S. Cl.** ..... **D23/238**

(58) **Field of Classification Search** ..... D23/238-250,  
D23/252-255; 4/671-678; 137/801, 615  
See application file for complete search history.

(56) **References Cited**

U.S. PATENT DOCUMENTS

D295,661 S *	5/1988	Kohler et al. ....	D23/241
D370,525 S *	6/1996	Doughty et al. ....	D23/238
D381,398 S *	7/1997	Doughty et al. ....	D23/241
D407,795 S *	4/1999	Pitsch .....	D23/238
D407,798 S *	4/1999	Pitsch .....	D23/241
D408,070 S *	4/1999	Hsu .....	D23/238
D408,071 S *	4/1999	Hsu .....	D23/238
D409,283 S *	5/1999	Pitsch .....	D23/238
D412,201 S *	7/1999	Pitsch .....	D23/238
D421,484 S *	3/2000	Pitsch .....	D23/238
D429,316 S *	8/2000	McKeone .....	D23/238
D470,571 S *	2/2003	Pitsch .....	D23/238

D496,432 S \* 9/2004 Ouyoung ..... D23/238

\* cited by examiner

*Primary Examiner*—Ian Simmons

*Assistant Examiner*—David G Muller

(57) **CLAIM**

The ornamental design for a faucet body, as shown and described.

**DESCRIPTION**

FIG. 1 is a perspective view of a faucet body showing my new design.

FIG. 2 is a front elevational view thereof.

FIG. 3 is a rear elevational view thereof.

FIG. 4 is a left side view thereof.

FIG. 5 is a right side view thereof.

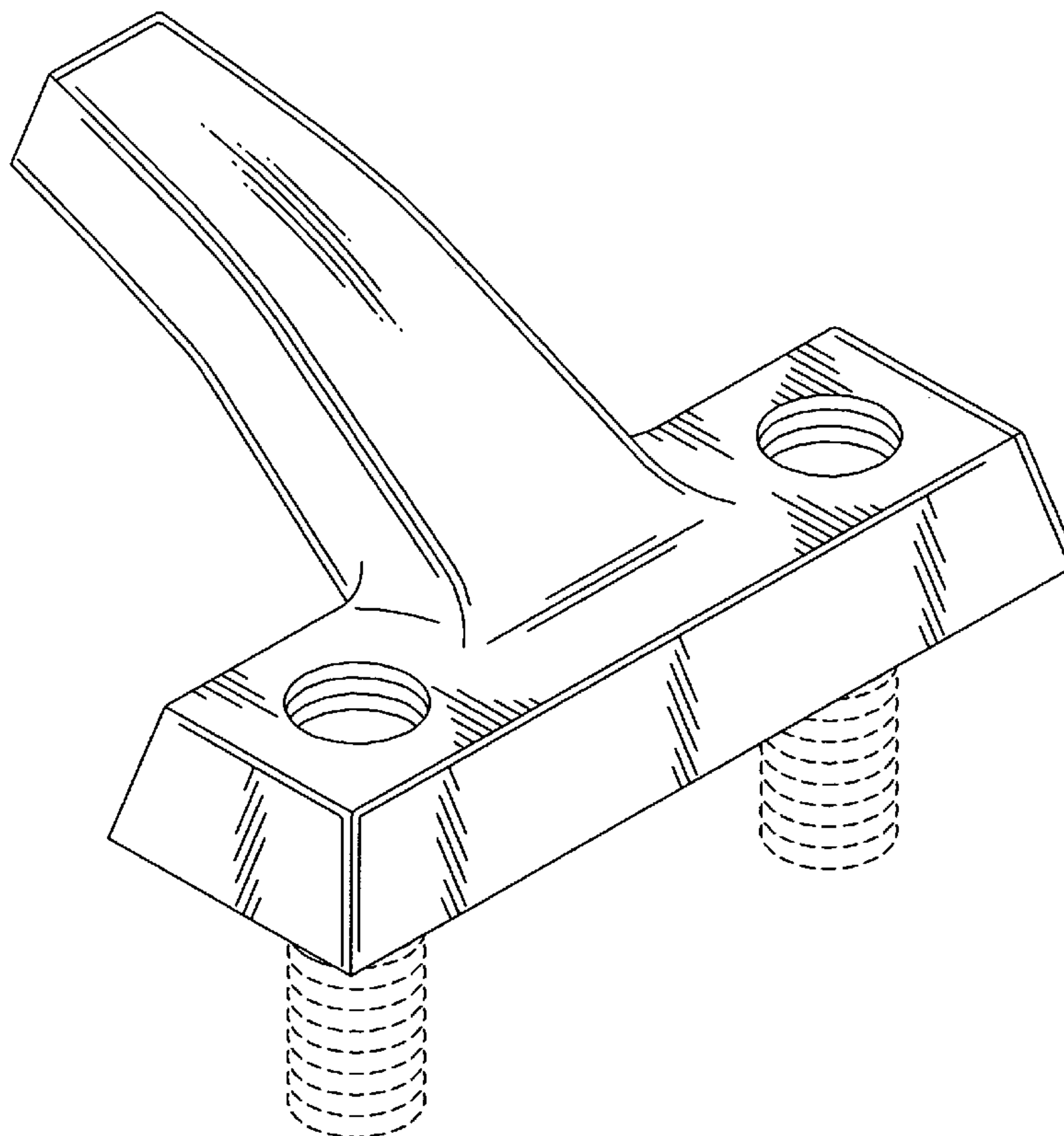
FIG. 6 is a top plan view thereof.

FIG. 7 is a bottom plan view thereof; and,

FIG. 8 shows the application of the present invention, where those features indicated by dashed lines are not claimed in the present invention.

The broken line showing of parts of the drawings is included for the purpose of illustrating use and environment and forms no part of the claimed design.

**1 Claim, 8 Drawing Sheets**



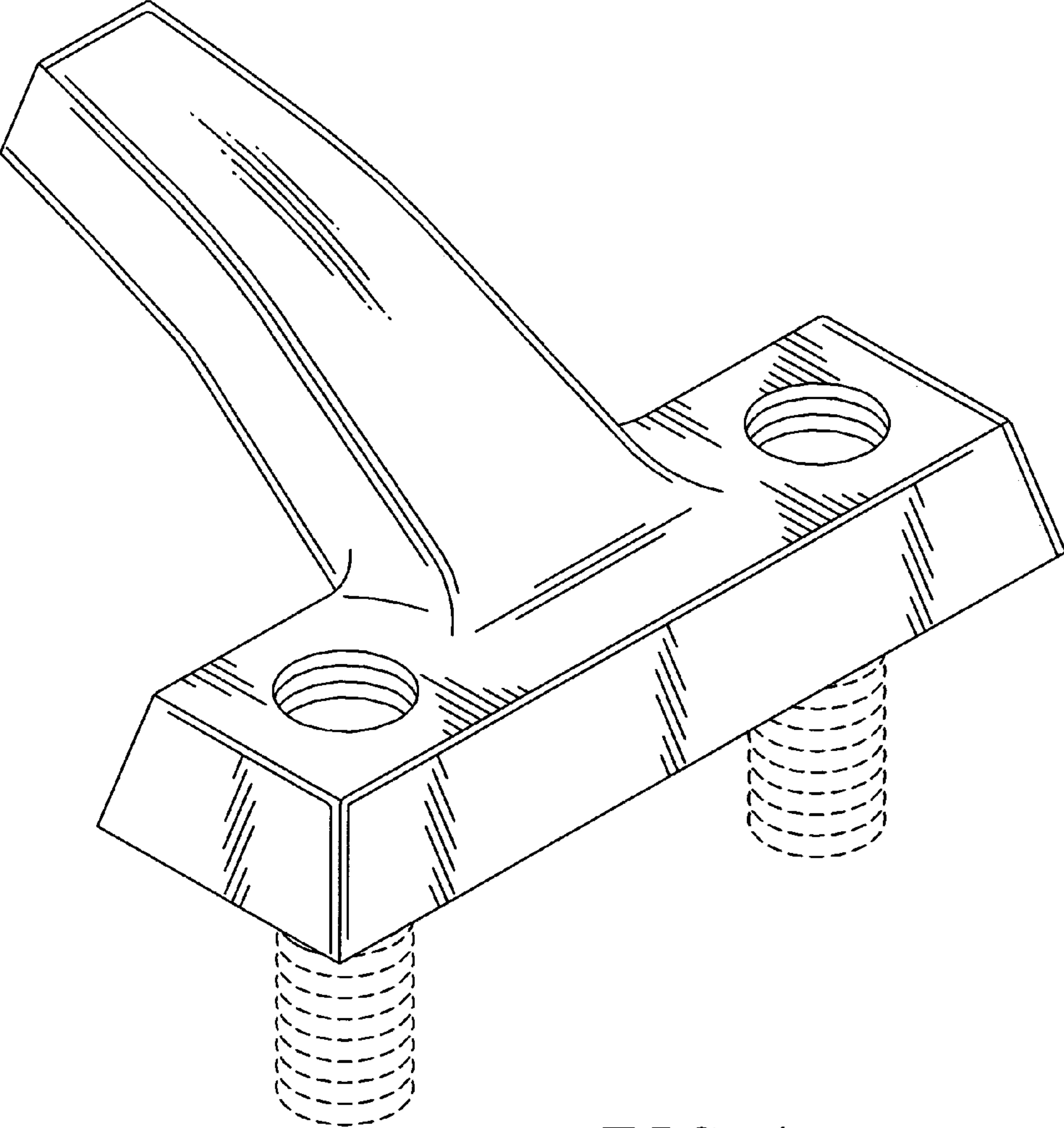


FIG. 1

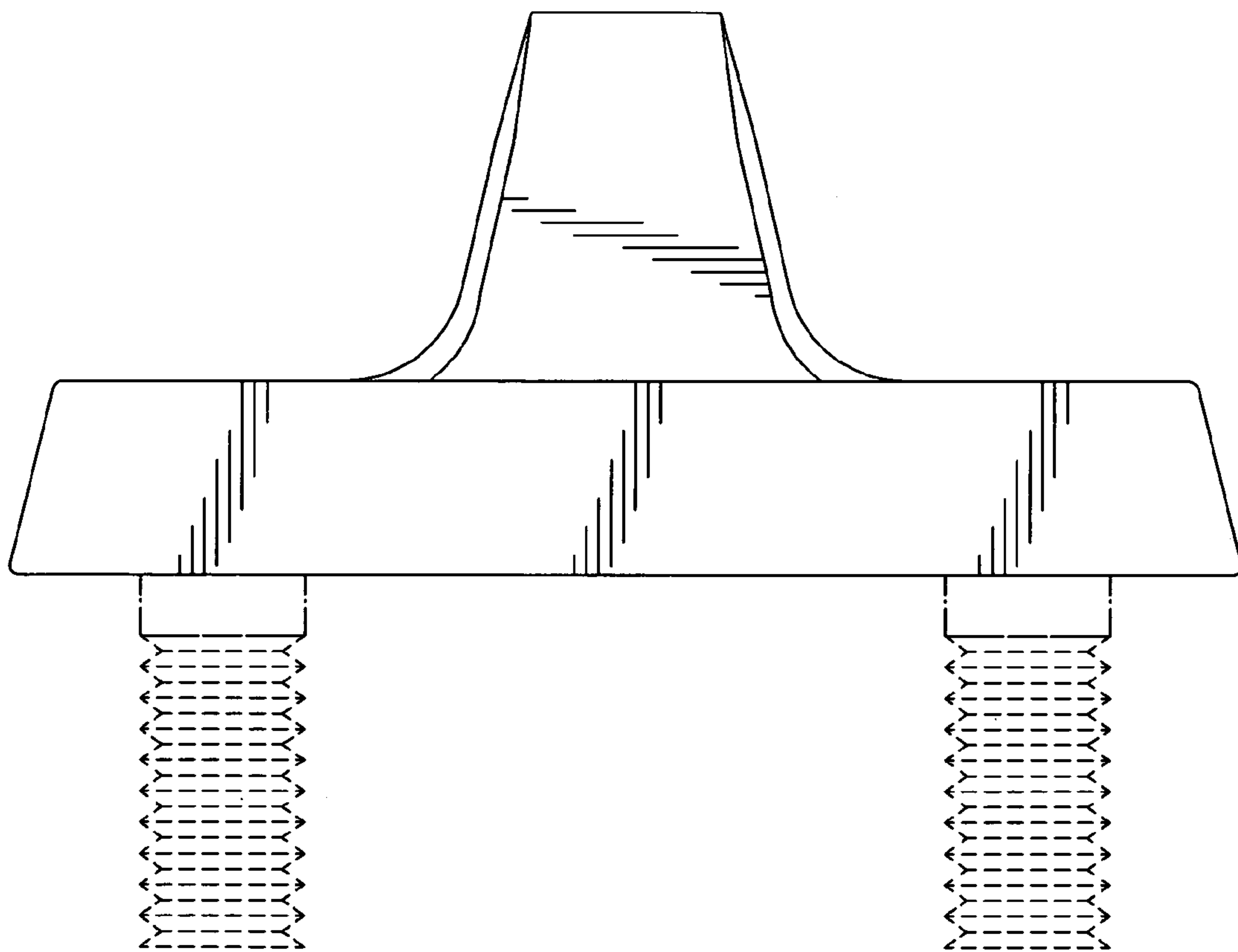


FIG. 2

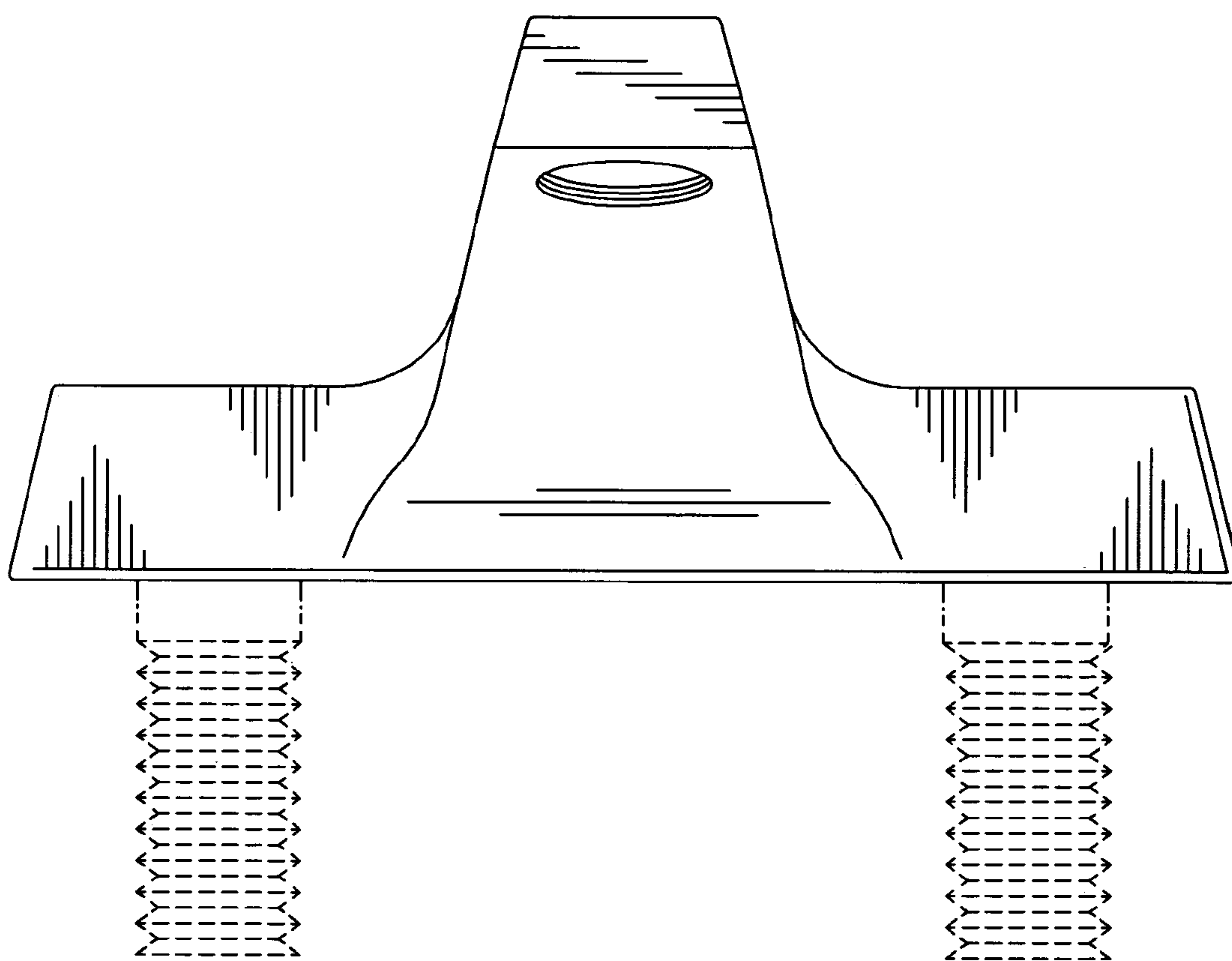


FIG. 3

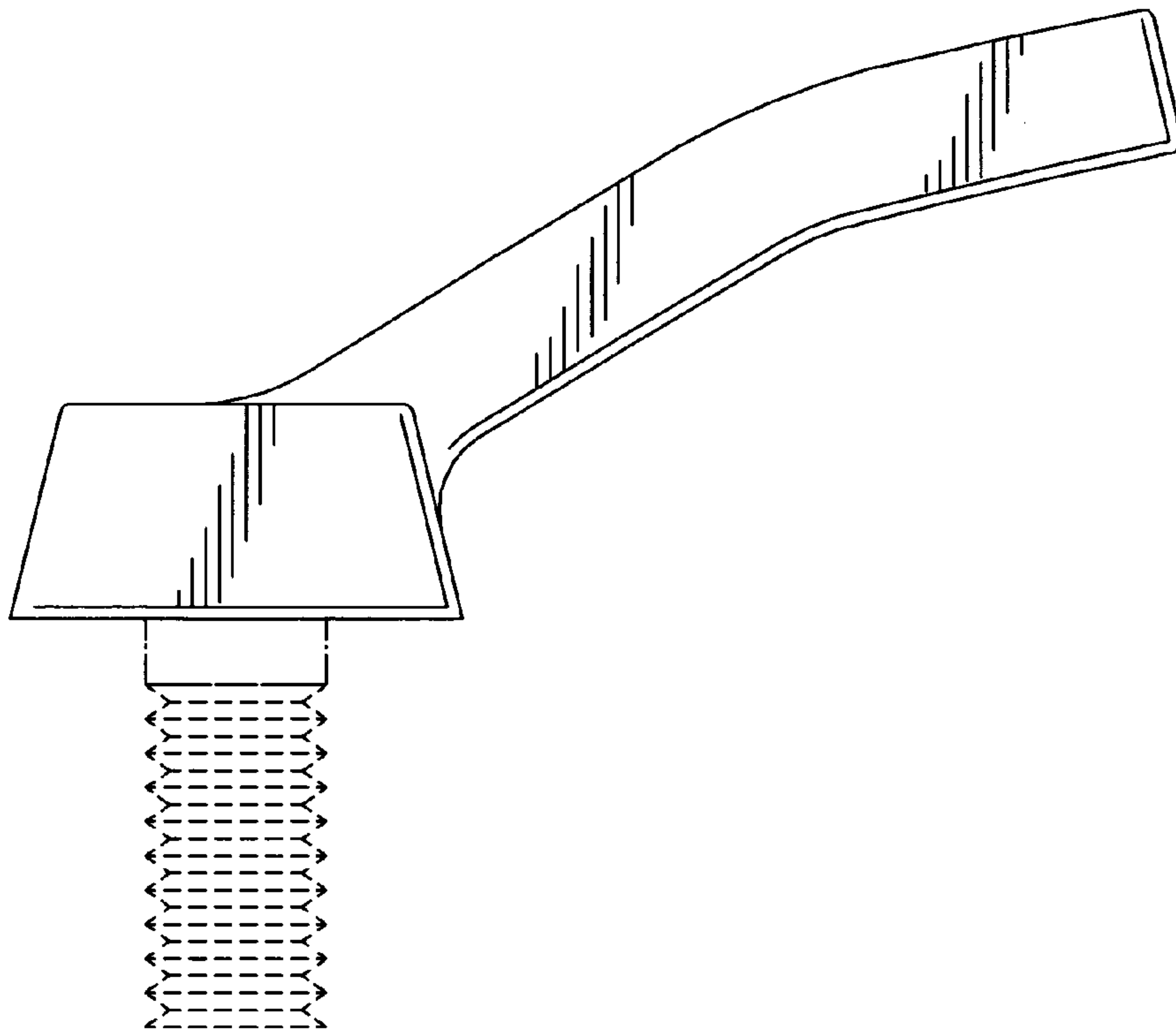


FIG. 4

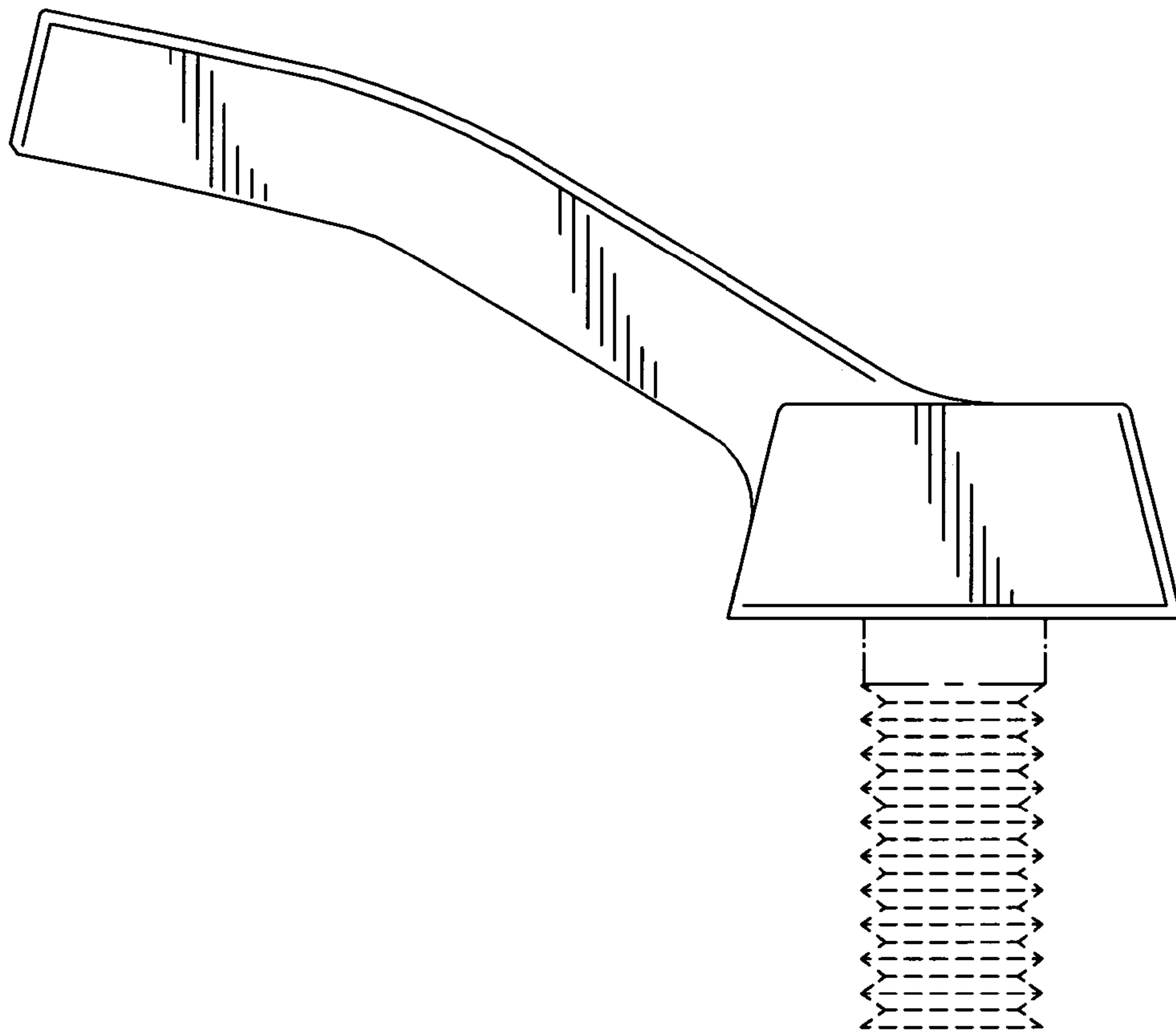


FIG. 5

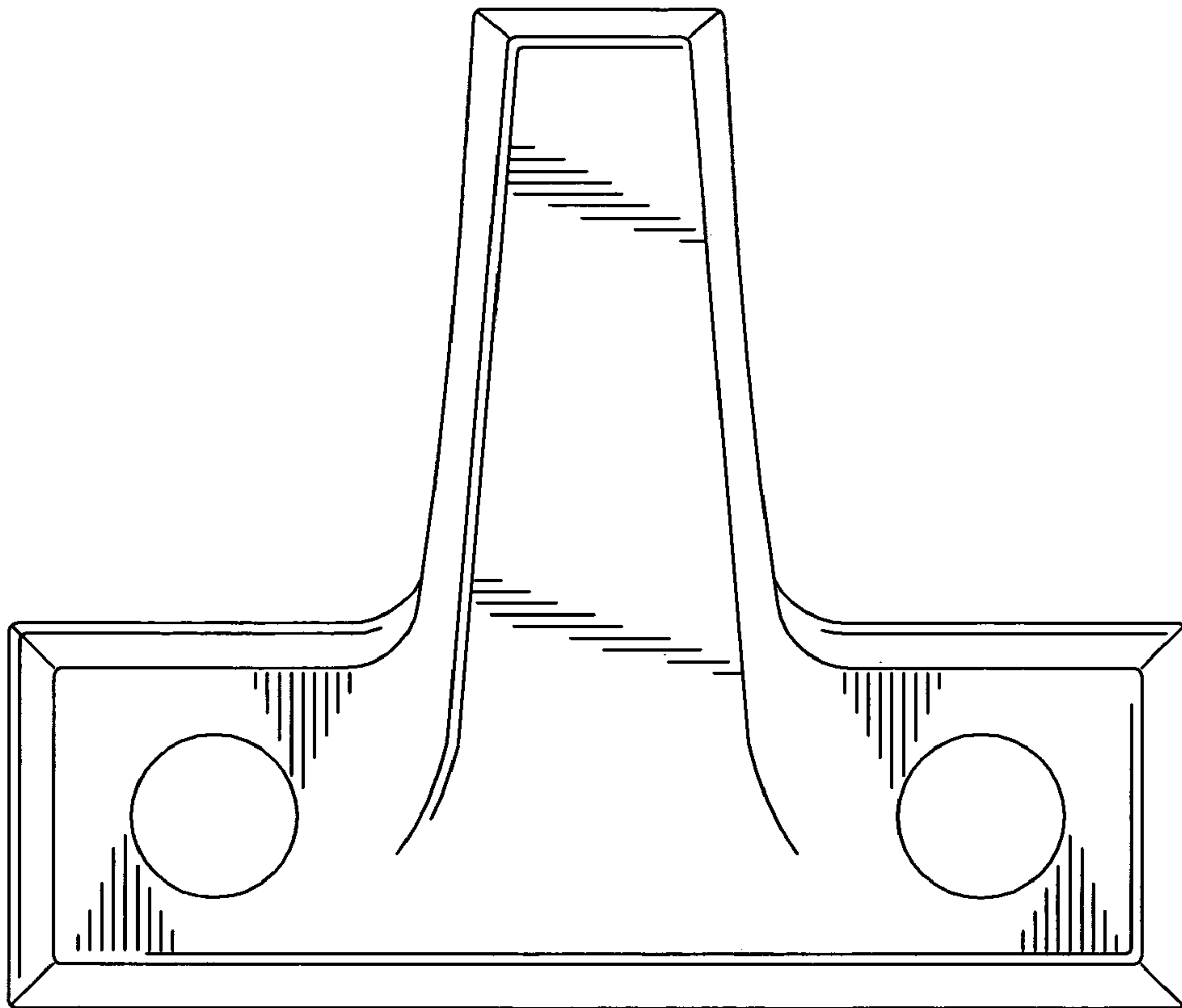


FIG. 6

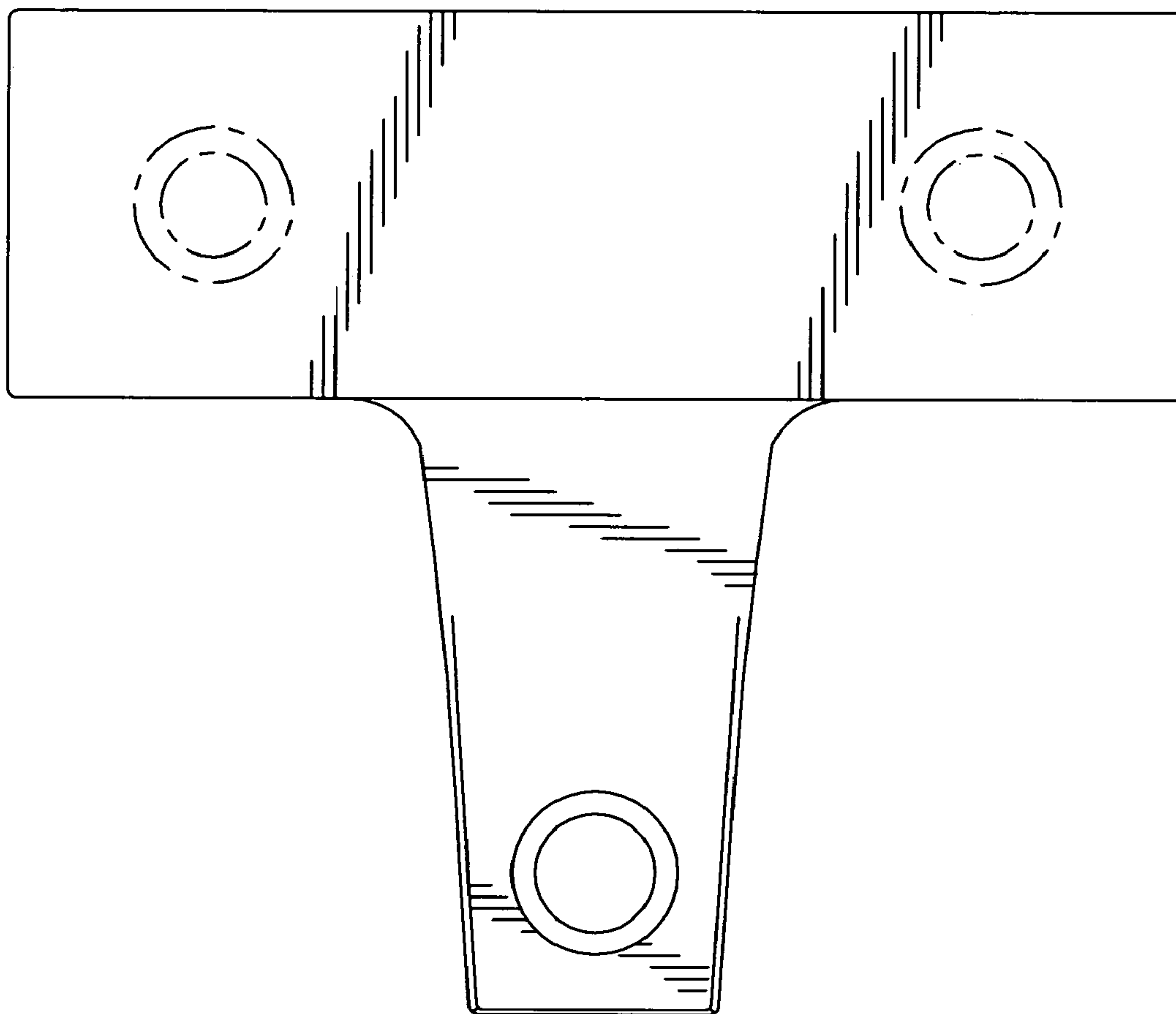


FIG. 7



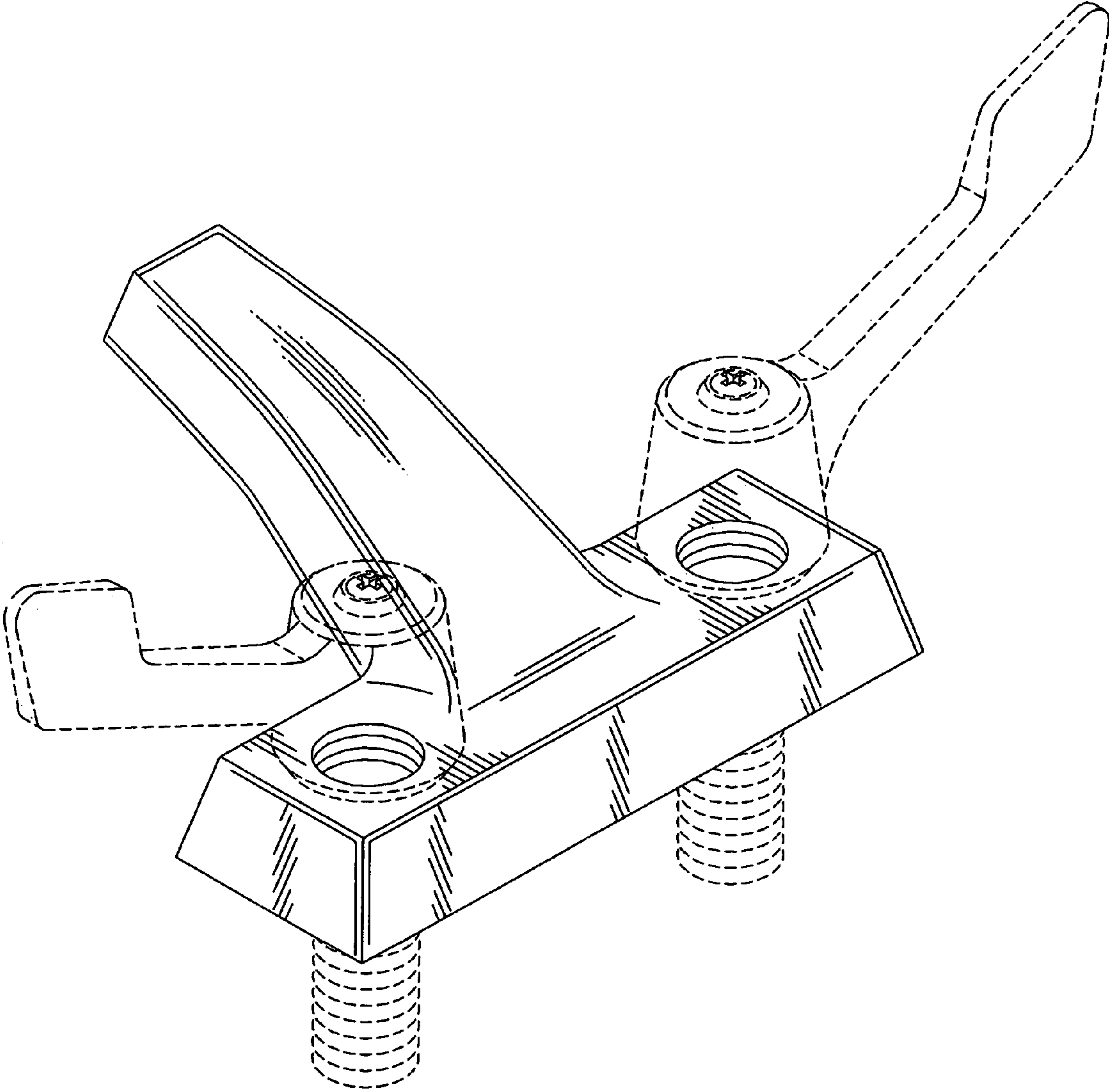


FIG. 8