



US00D562942S

(12) **United States Design Patent**
Pan

(10) **Patent No.:** **US D562,942 S**

(45) **Date of Patent:** **** Feb. 26, 2008**

(54) **SHOWER NOZZLE**

7,143,961 B1 * 12/2006 Wu et al. 239/446
D547,420 S * 7/2007 Lobermeier D23/223

(76) Inventor: **Yaozhao Pan**, No. 375, Eastern Road,
Changhe Town, Cixi, Zhejiang Province
(CN) 315326

* cited by examiner

Primary Examiner—Robin V Webster
(74) *Attorney, Agent, or Firm*—Jacobson Holman

(**) Term: **14 Years**

(21) Appl. No.: **29/271,199**

(57) **CLAIM**

(22) Filed: **Jan. 12, 2007**

I claim the ornamental design for the shower nozzle, as shown and described.

(30) **Foreign Application Priority Data**

Jul. 28, 2006 (CN) 2006 3 0113955

DESCRIPTION

(51) **LOC (8) Cl.** **23-01**

(52) **U.S. Cl.** **D23/223**

(58) **Field of Classification Search** D23/213,
D23/223, 226; 239/394, 462, 282-3
See application file for complete search history.

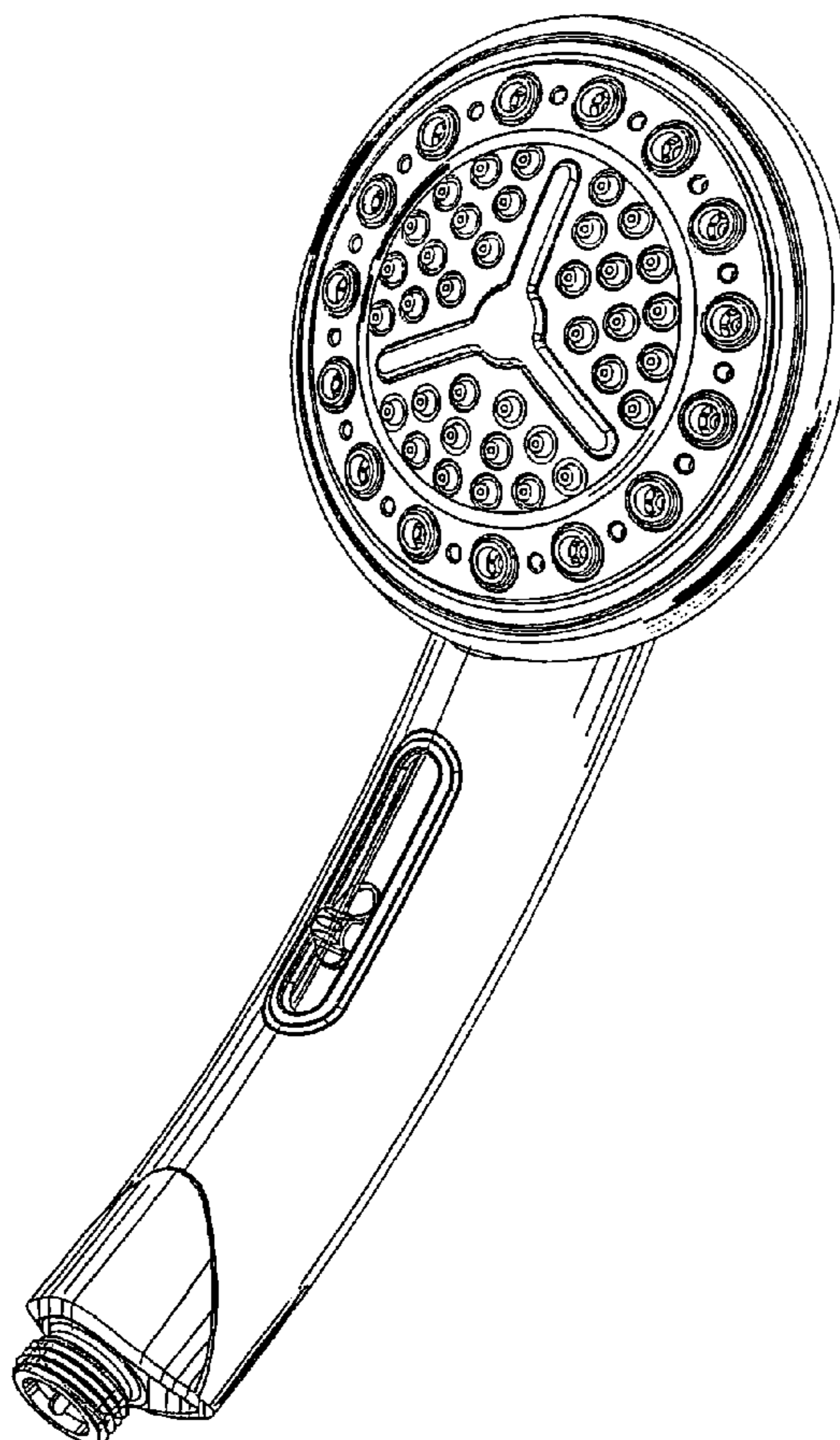
FIG. 1 is a front perspective view of the shower nozzle;
FIG. 2 is a rear perspective view of the shower nozzle;
FIG. 3 is a front elevational view of the shower nozzle;
FIG. 4 is a rear elevational view of the shower nozzle;
FIG. 5 is a bottom plan view of the shower nozzle;
FIG. 6 is a top plan view of the shower nozzle;
FIG. 7 is a right side elevational view of the shower nozzle;
and,
FIG. 8 is a left side elevational view of the shower nozzle.

(56) **References Cited**

U.S. PATENT DOCUMENTS

D395,142 S * 6/1998 Neibrook et al. D23/223
D424,161 S * 5/2000 Haug et al. D23/223
D506,243 S * 6/2005 Wu D23/223
D534,239 S * 12/2006 Dingler et al. D23/223

1 Claim, 7 Drawing Sheets



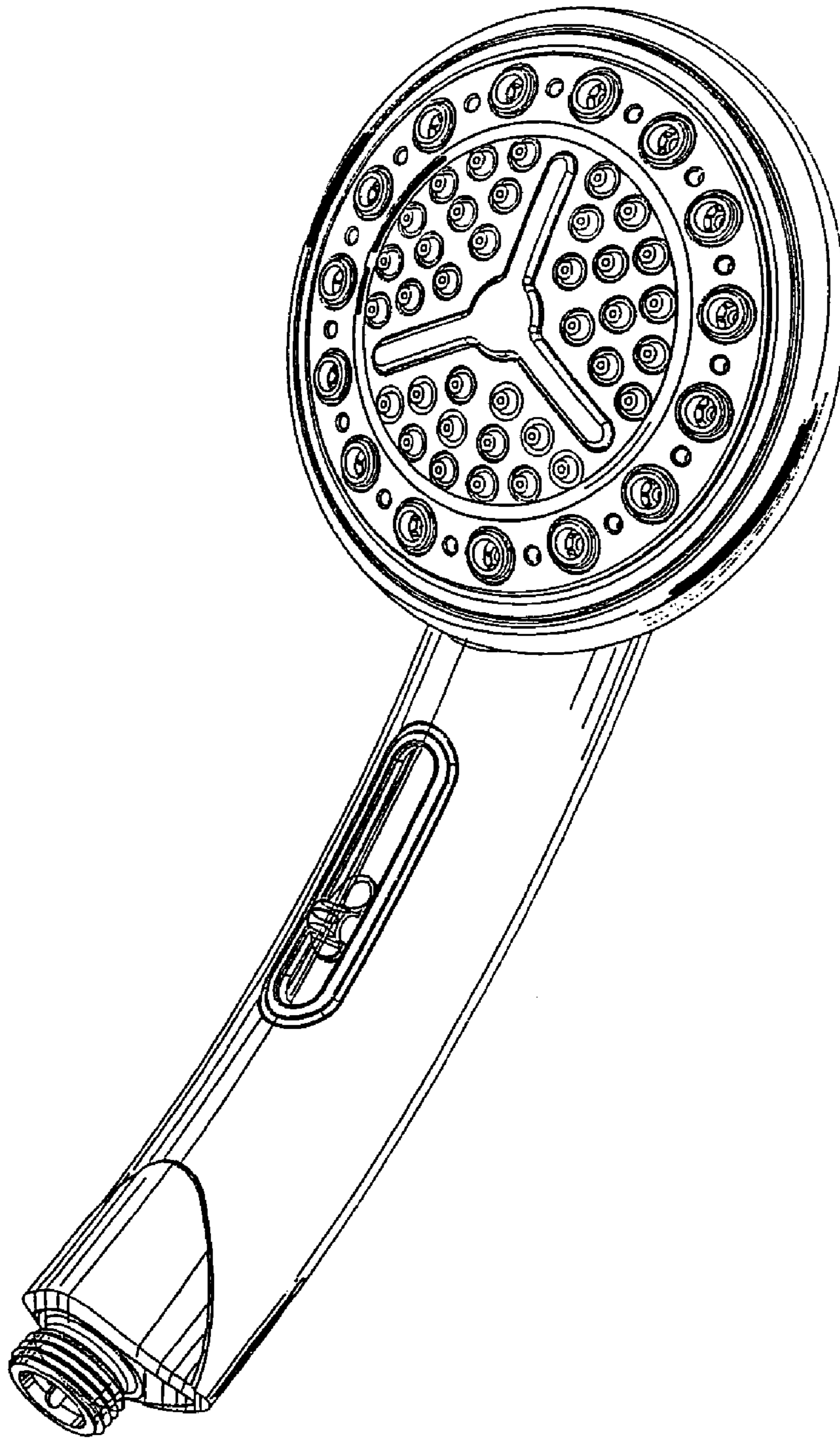


FIG. 1

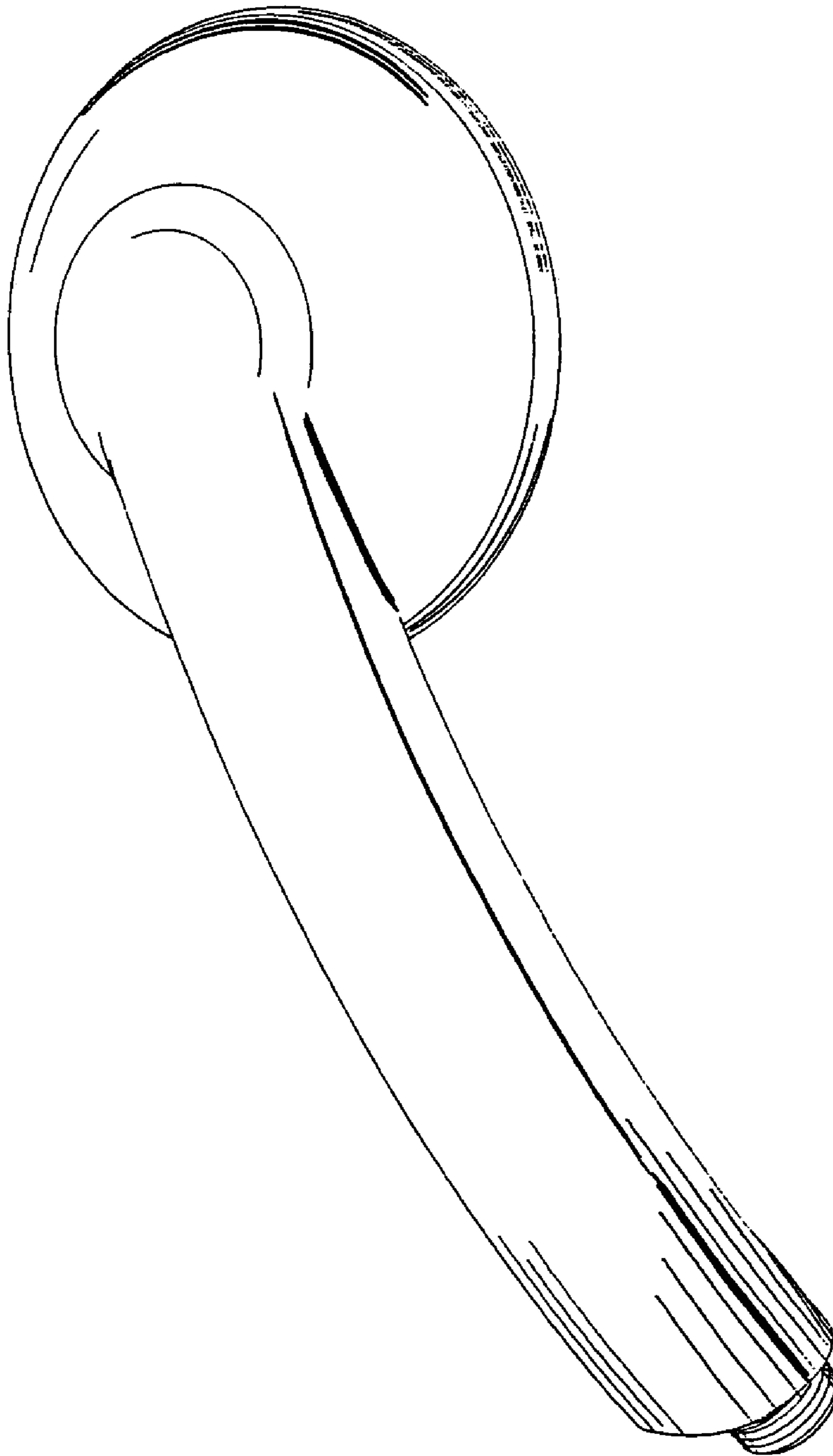


FIG. 2

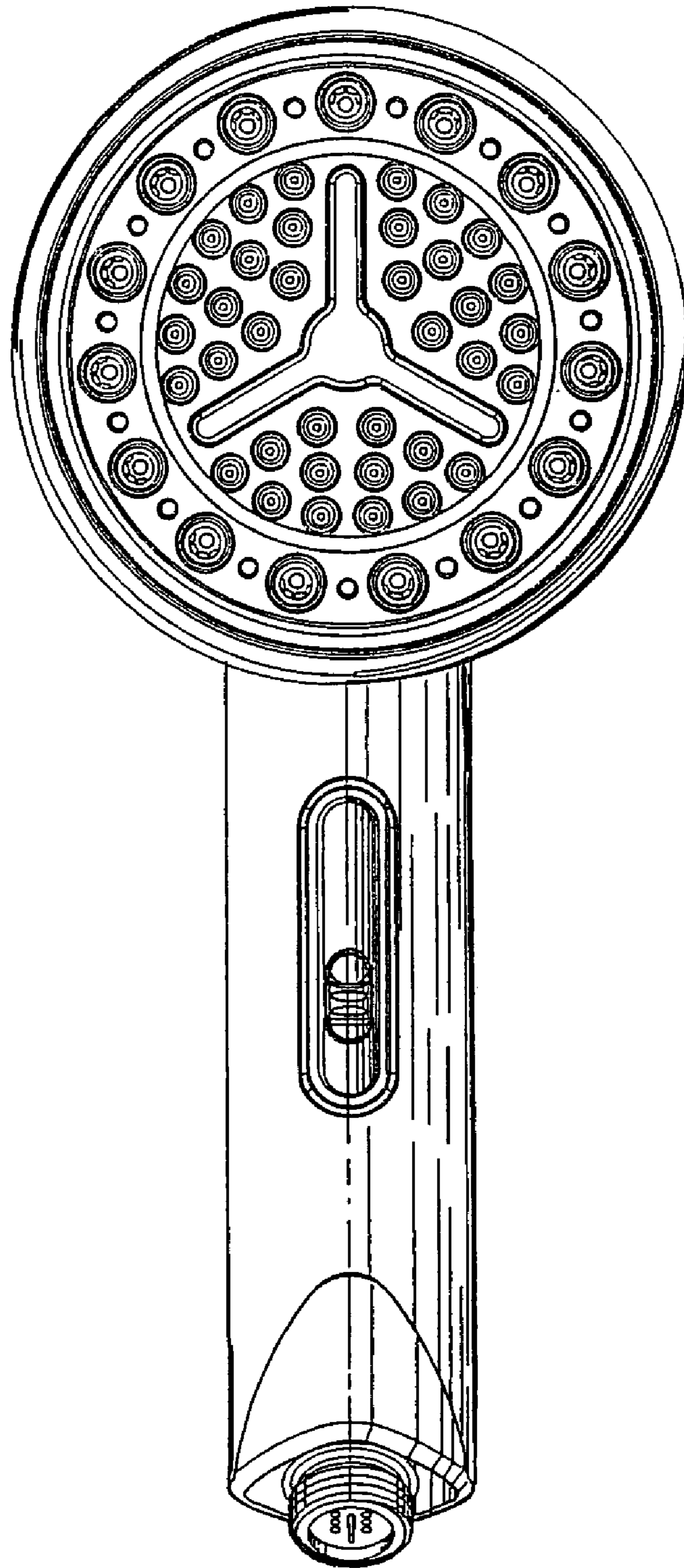


FIG. 3

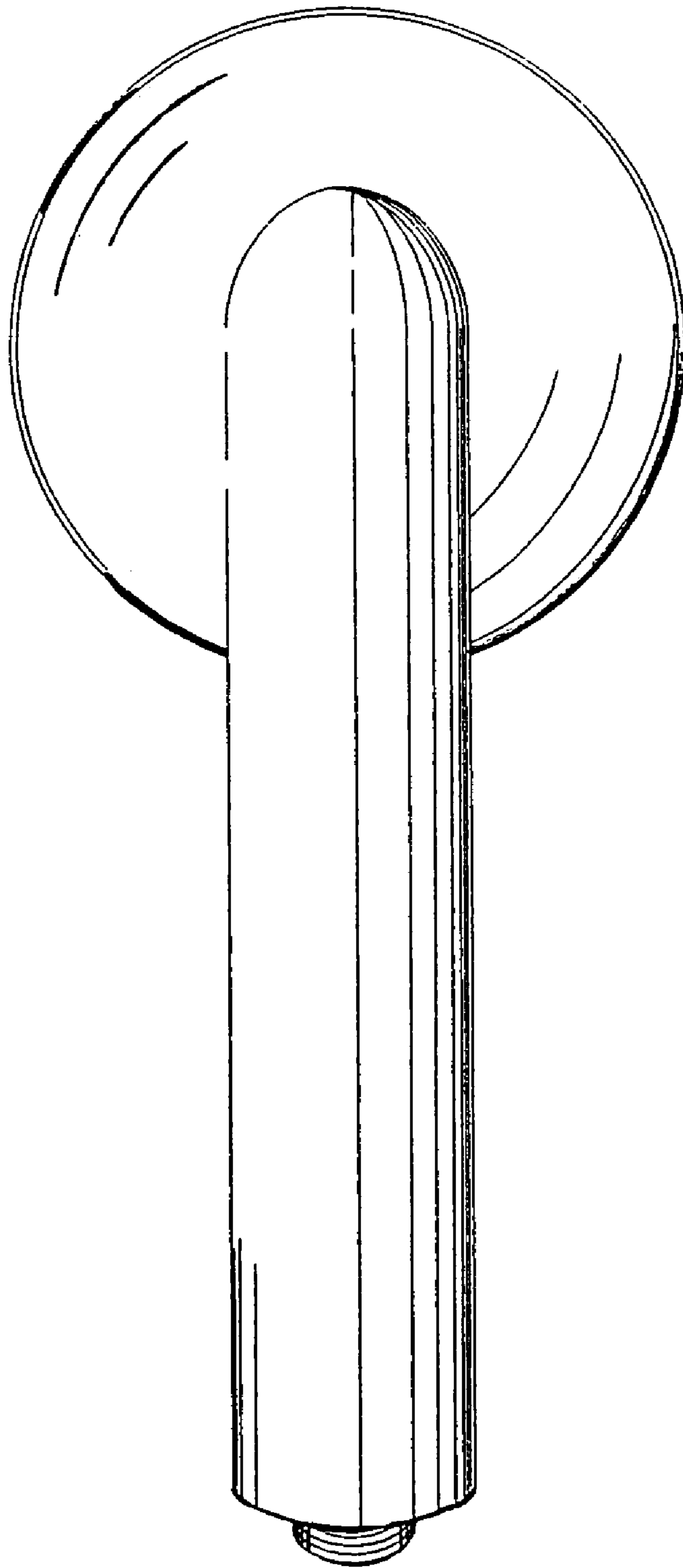


FIG. 4

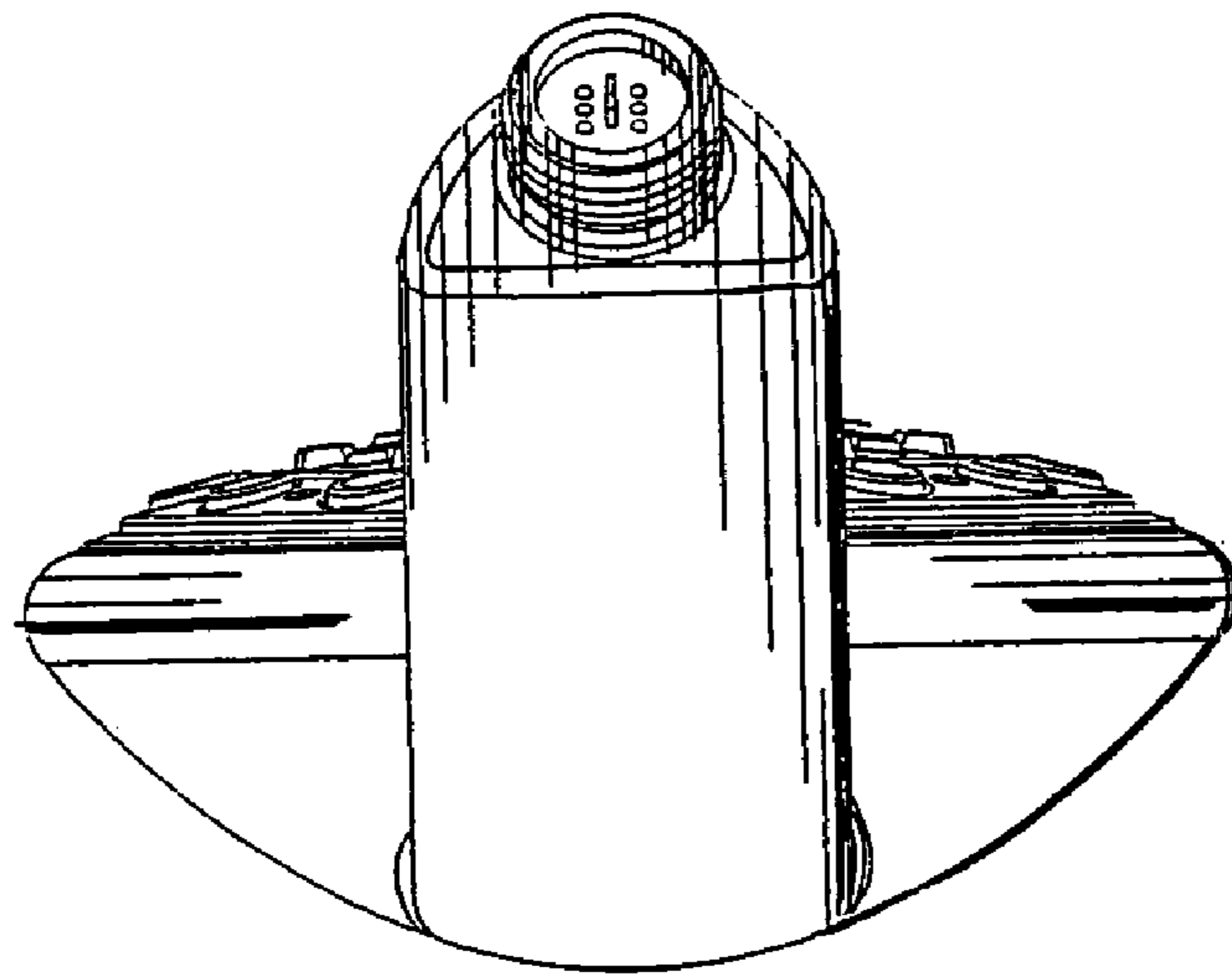


FIG. 5

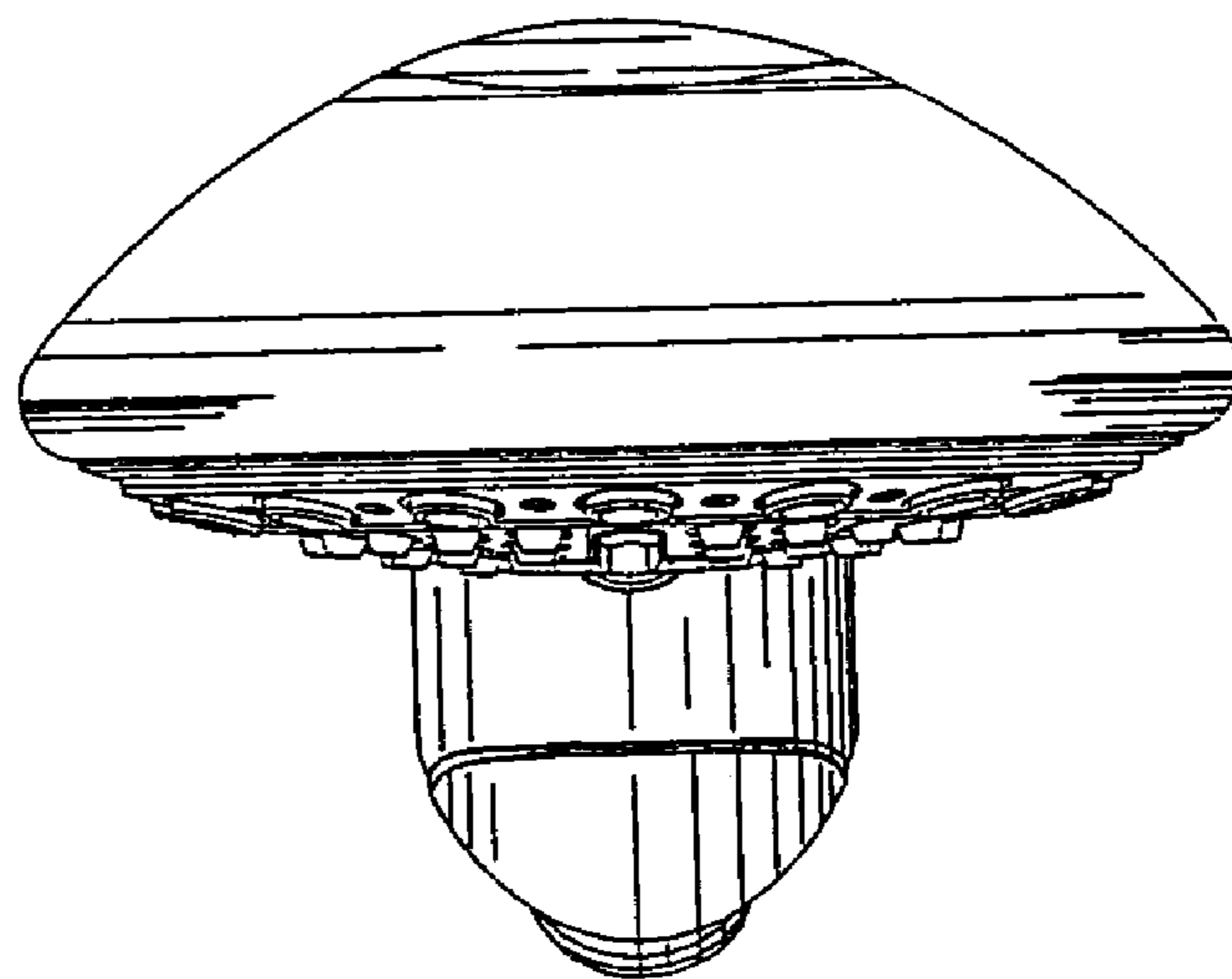


FIG. 6

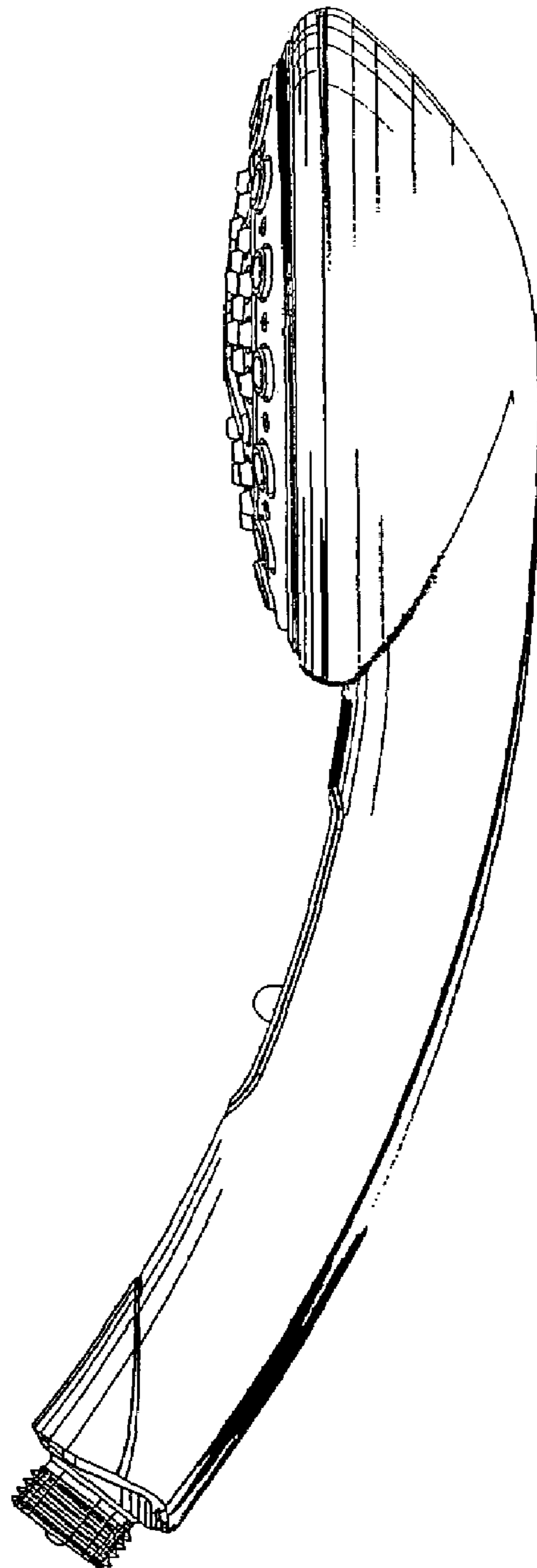


FIG. 7

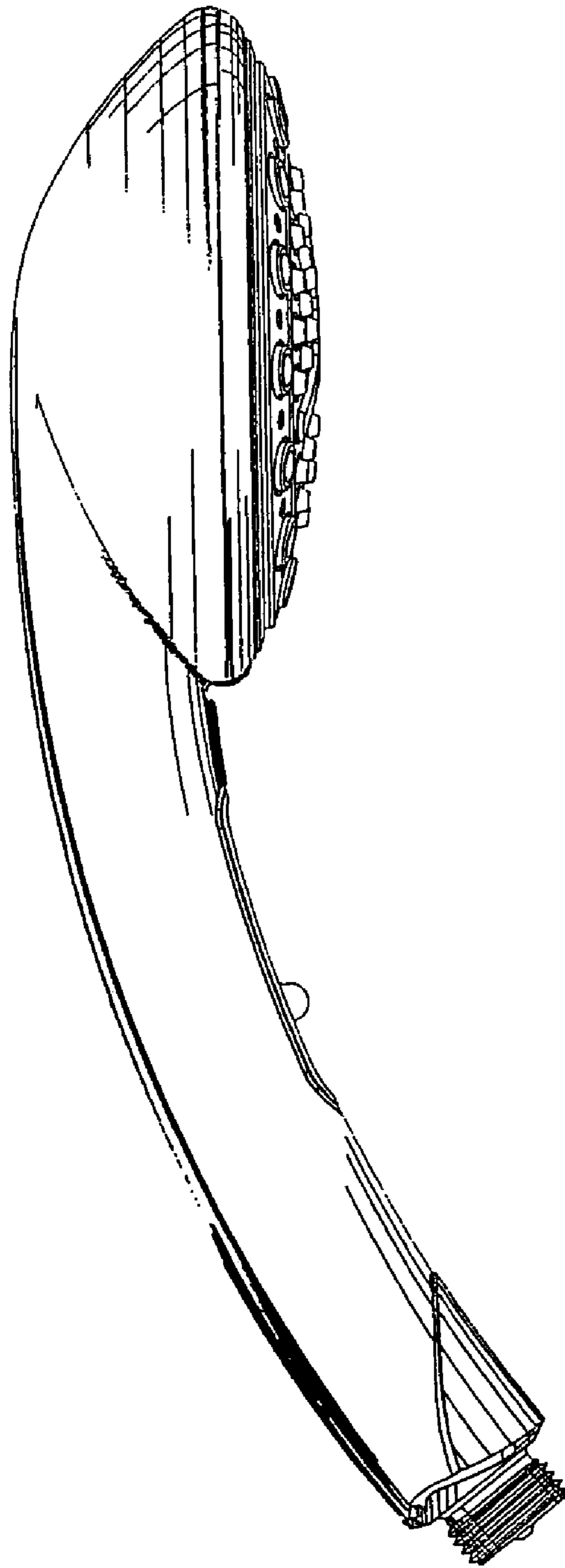


FIG. 8