

US00D562939S

(12) **United States Design Patent**
Lo

(10) **Patent No.:** **US D562,939 S**

(45) **Date of Patent:** **** Feb. 26, 2008**

(54) **SPRINKLER**

D466,971 S * 12/2002 Clivio D23/214
7,032,836 B2 * 4/2006 Sesser et al. 239/204

(75) Inventor: **Shun Nan Lo**, Changhua Hsien (TW)

* cited by examiner

(73) Assignee: **Yuan Mei Corp.**, Changhua Hsien (TW)

Primary Examiner—Robin V Webster
(74) *Attorney, Agent, or Firm*—Troxell Law Office, PLLC

(**) Term: **14 Years**

(57) **CLAIM**

(21) Appl. No.: **29/268,969**

The ornamental design for the “sprinkler,” as shown and described.

(22) Filed: **Nov. 17, 2006**

(51) **LOC (8) Cl.** **23-01**

DESCRIPTION

(52) **U.S. Cl.** **D23/214; D23/217**

(58) **Field of Classification Search** D23/213,
D23/214, 217, 218; 239/202–204
See application file for complete search history.

FIG. 1 is a perspective view of a sprinkler showing my new design;

FIG. 2 is a front view thereof;

FIG. 3 is a rear view thereof;

FIG. 4 is a left side view thereof;

FIG. 5 is a right side view thereof;

FIG. 6 is a top view thereof; and,

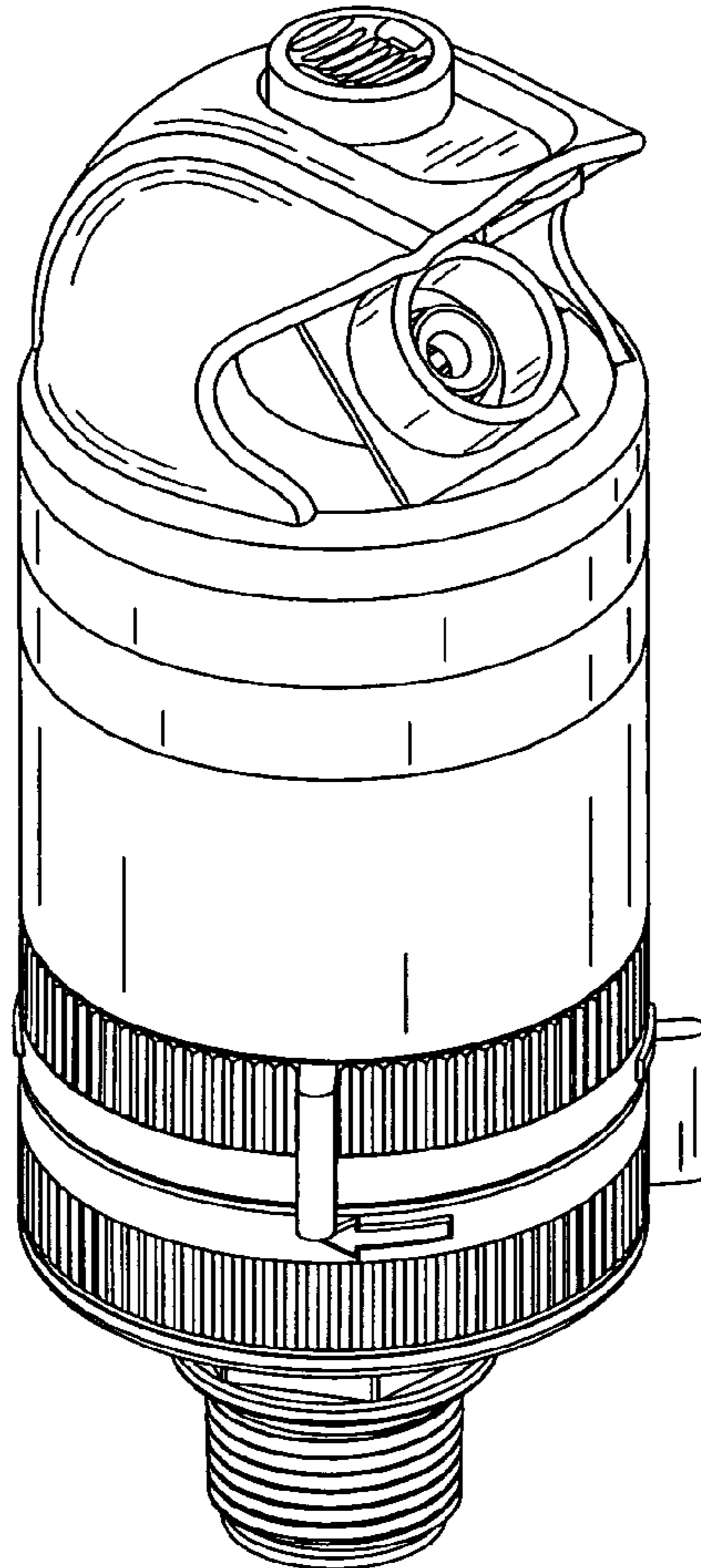
FIG. 7 is a bottom view thereof.

(56) **References Cited**

U.S. PATENT DOCUMENTS

2,975,981 A * 3/1961 Cockman 239/222.17
D264,491 S * 5/1982 Hunter D23/218
D276,743 S * 12/1984 Clivio et al. D23/218
D444,848 S * 7/2001 Heren D23/214
D466,585 S * 12/2002 Alkalay D23/214

1 Claim, 4 Drawing Sheets



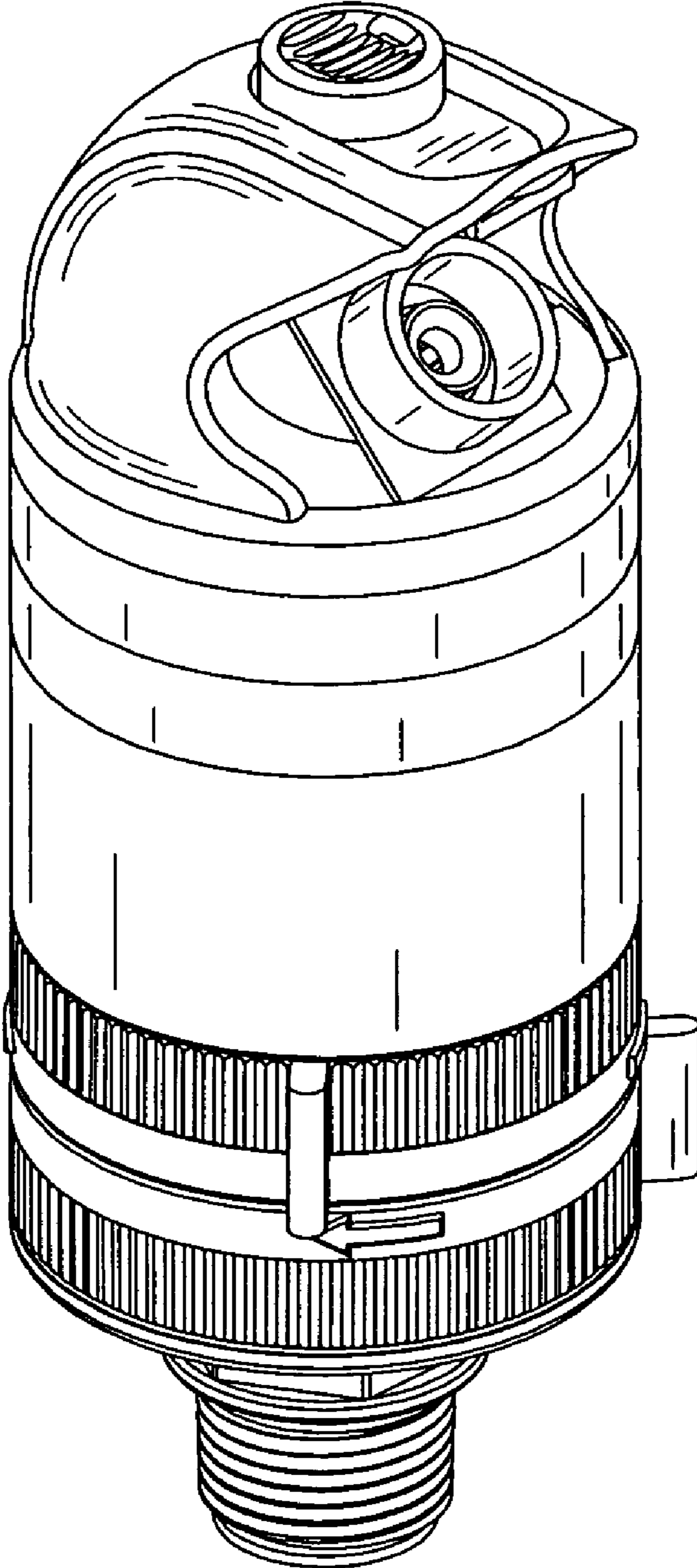


FIG. 1

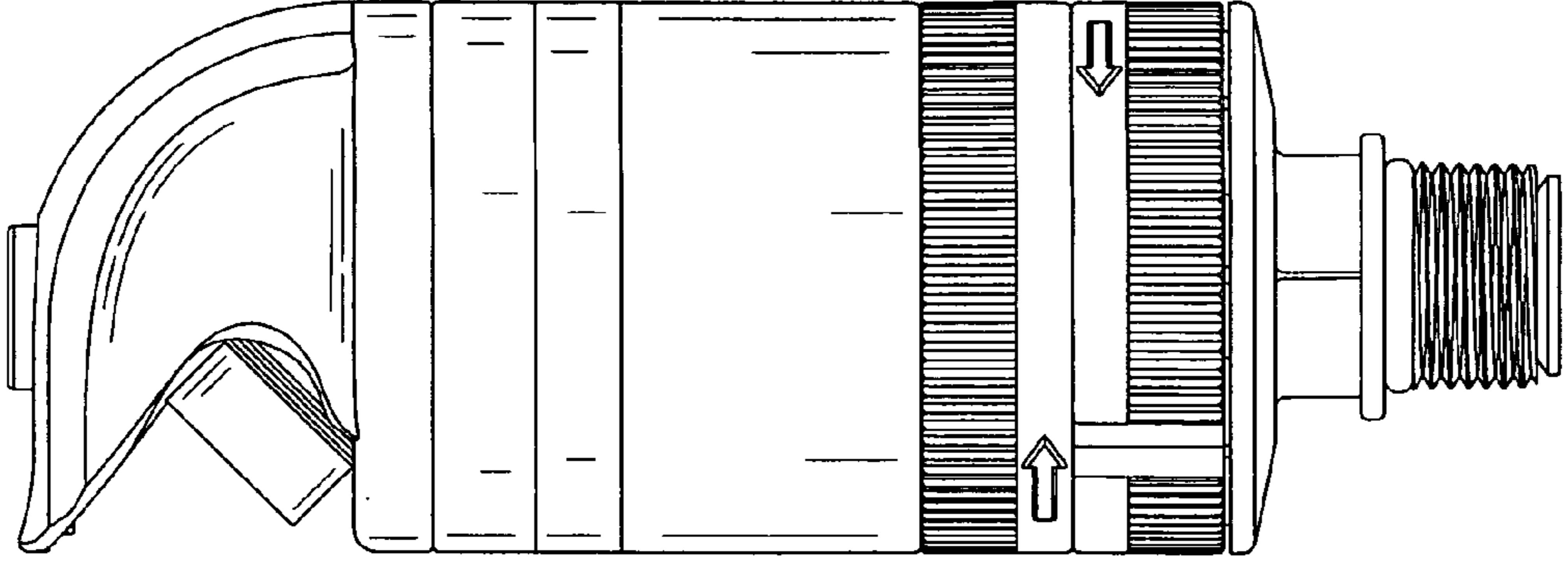


FIG. 3

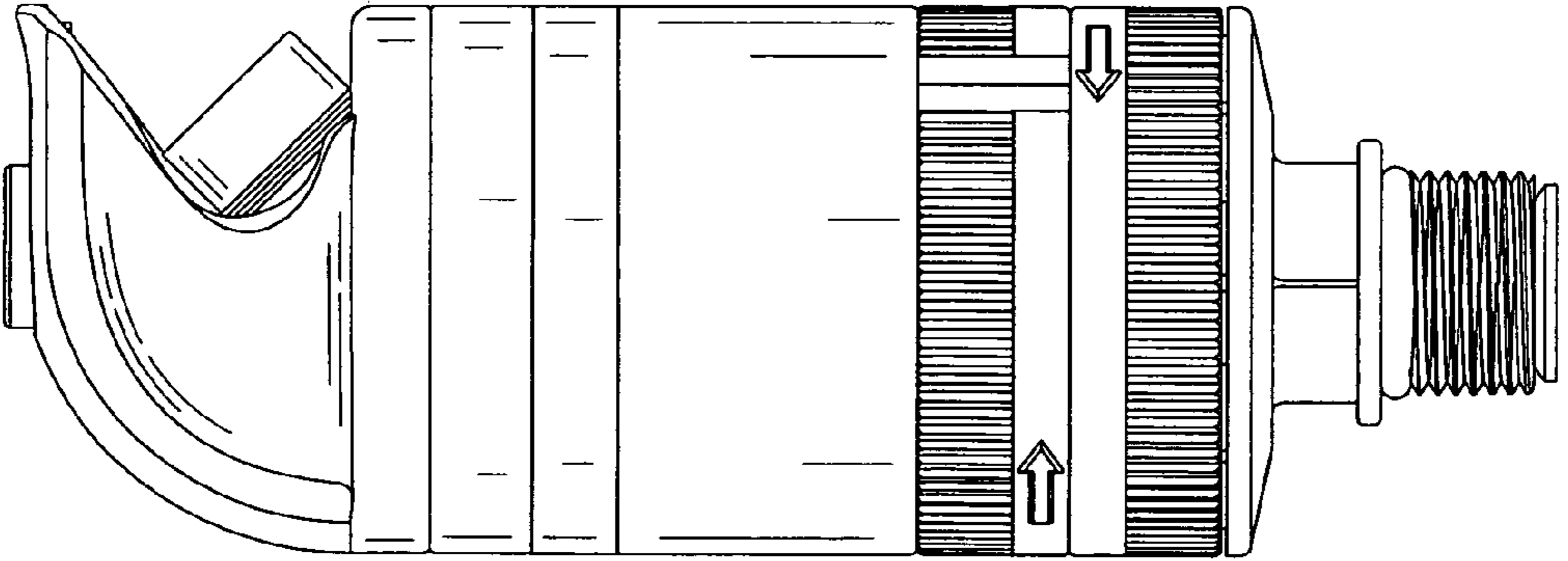


FIG. 2

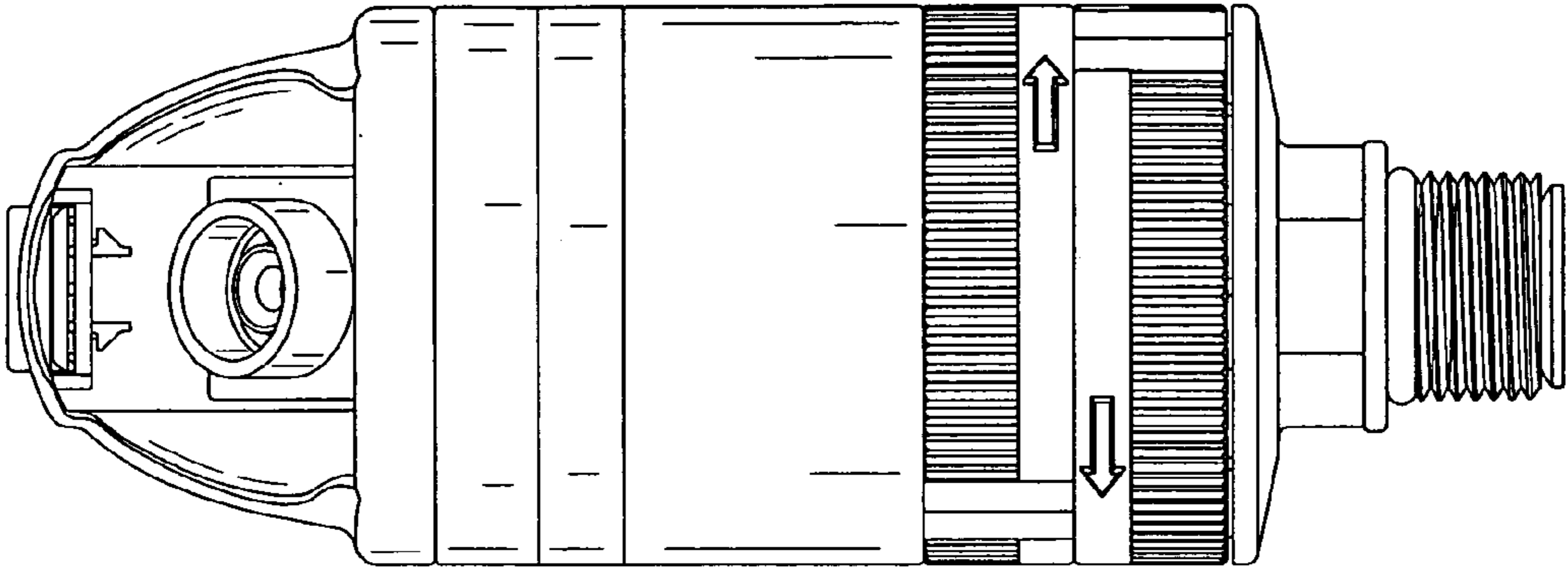


FIG. 5

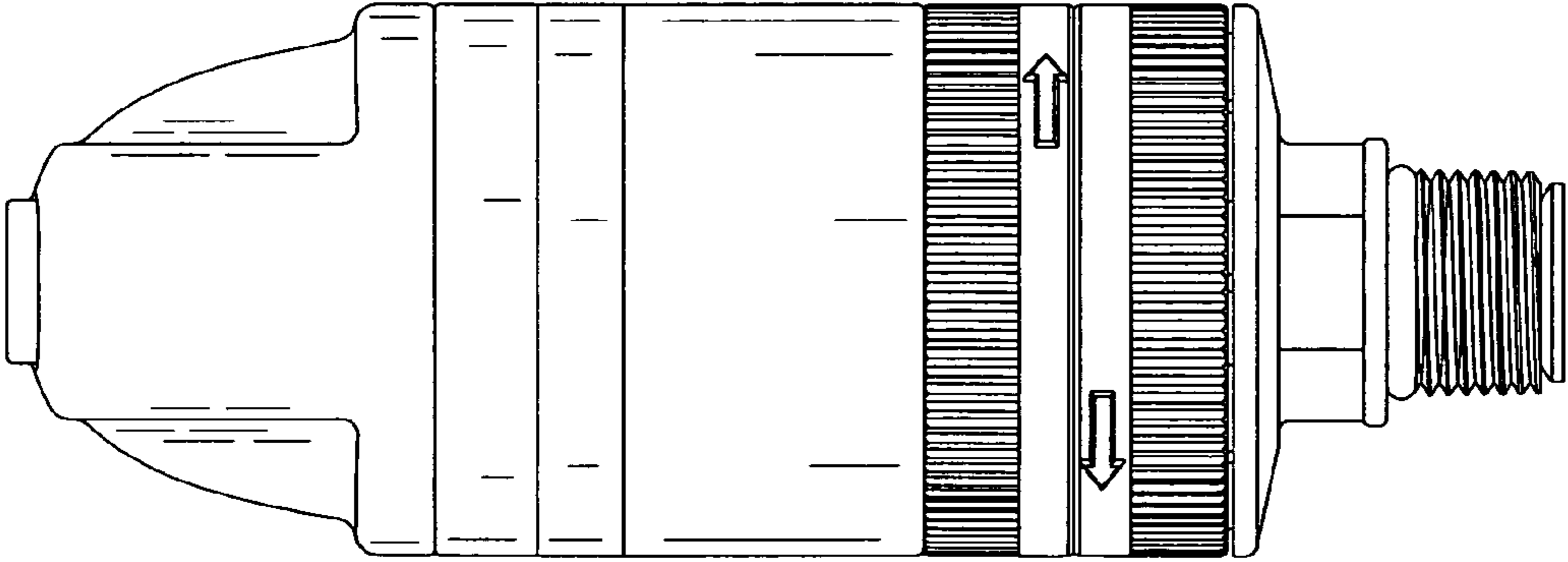


FIG. 4

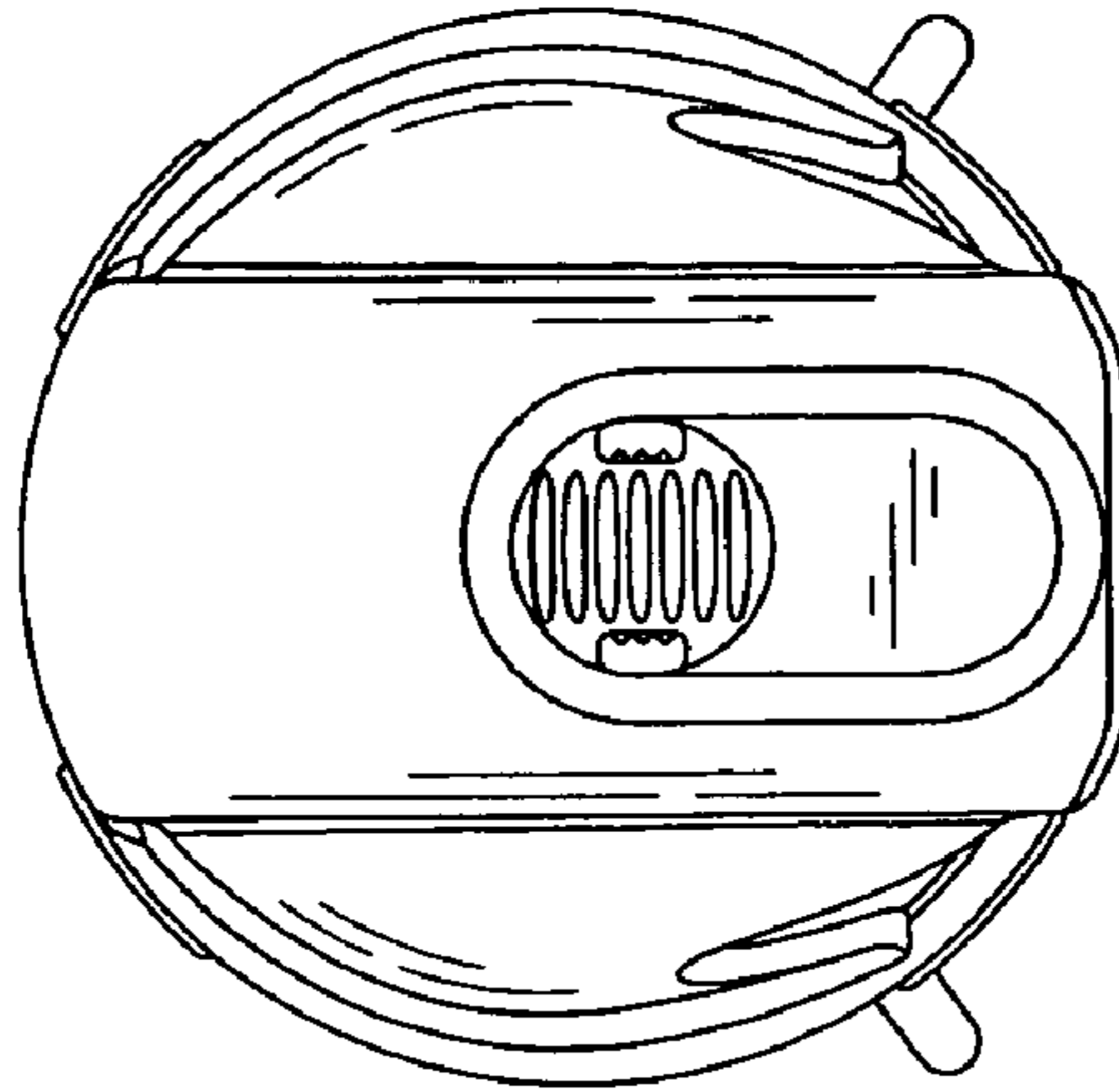


FIG. 6

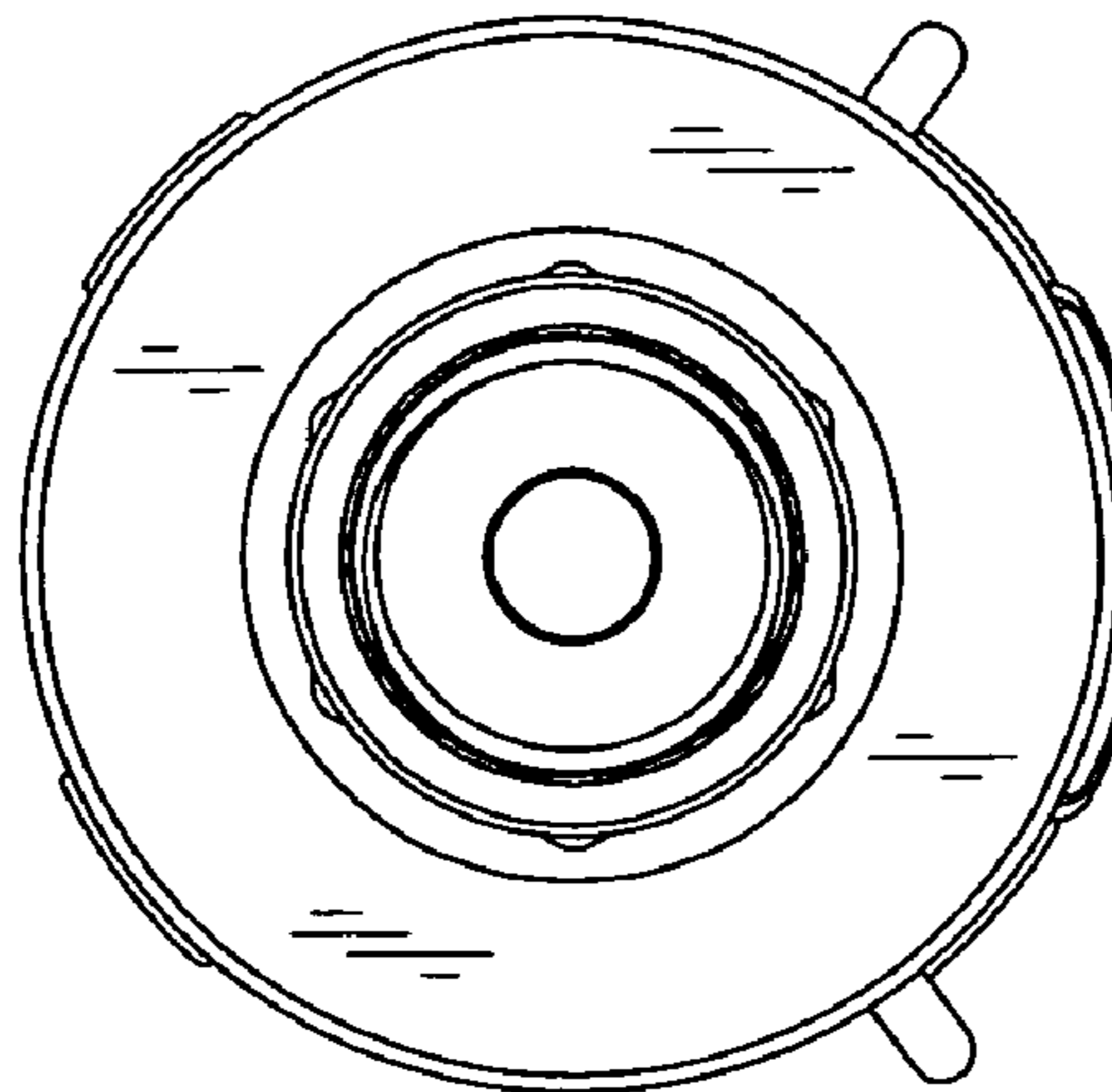


FIG. 7