



US00D562934S

(12) **United States Design Patent**
Haney

(10) **Patent No.:** **US D562,934 S**

(45) **Date of Patent:** **** Feb. 26, 2008**

(54) **FISHING FLOAT**

(75) Inventor: **Bryan S. Haney**, Austin, TX (US)

(73) Assignee: **Comal Tackle Company, Inc.**, Buda, TX (US)

(**) Term: **14 Years**

(21) Appl. No.: **29/279,669**

(22) Filed: **May 4, 2007**

(51) **LOC (8) Cl.** **22-05**

(52) **U.S. Cl.** **D22/146**

(58) **Field of Classification Search** D22/146,
D22/144-145; 43/17, 43.14, 44.87, 44.88,
43/44.95, 44.93, 44.91, 44.9

See application file for complete search history.

(56) **References Cited**

U.S. PATENT DOCUMENTS

D314,417	S	*	2/1991	Lovelady et al.	D22/146
5,157,860	A	*	10/1992	Clark	43/44.9
5,259,151	A	*	11/1993	Wicht	43/42.31
5,784,828	A	*	7/1998	Thompson	43/44.9
D401,998	S	*	12/1998	Lee	D22/145
D416,975	S	*	11/1999	Haney	D22/146
D515,658	S	*	2/2006	Schumacher et al.	D22/146
2002/0178646	A1	*	12/2002	Ratte	43/44.9

* cited by examiner

Primary Examiner—Catherine R. Oliver

(74) *Attorney, Agent, or Firm*—Meyertons, Hood, Kivlin, Kowert & Goetzel, P.C.; Eric B. Meyertons

(57) **CLAIM**

The ornamental design for the fishing float, as shown and described.

DESCRIPTION

FIG. 1 is a top perspective view of the fishing float showing my new design;

FIG. 2 is a bottom perspective view thereof;

FIG. 3 is a top plan view thereof;

FIG. 4 is a front view thereof, the rear and side views being identical;

FIG. 5 is a bottom plan view thereof;

FIG. 6 is a top view, with an insert in the passage way through the fishing float;

FIG. 7 is a front view, with one or more inserts in the passage way;

FIG. 8 is a bottom view with an insert in the passage way, wherein the bottom includes a circular marking around the passage way through the fishing float;

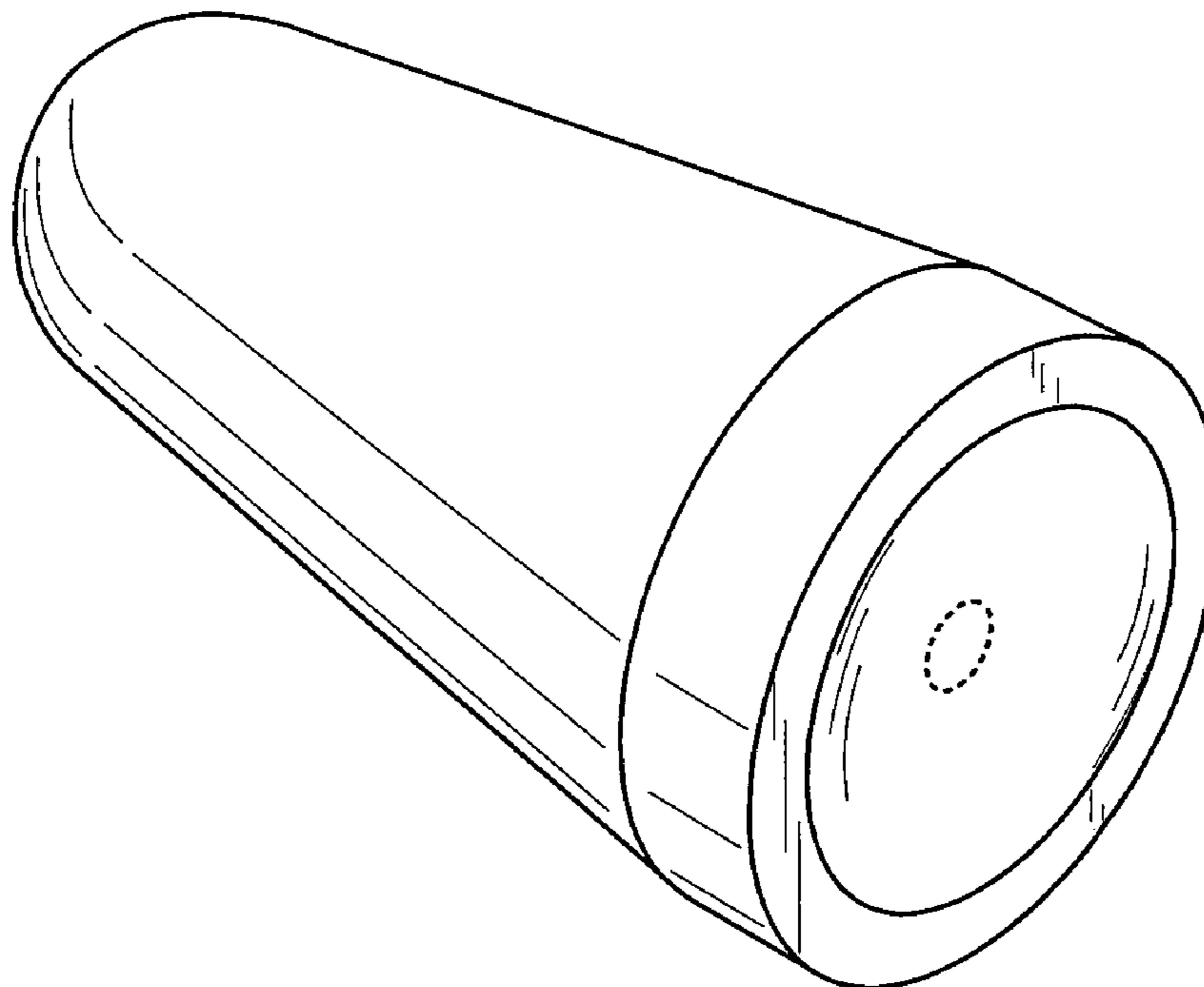
FIG. 9 is a perspective view, with an insert in the passage way;

FIG. 10 is a bottom perspective view with an insert in the passage way, wherein the bottom includes a circular marking around the passage way through the fishing float; and,

FIG. 11 is a top perspective view, wherein the top surface includes a circular marking around the passage way through the fishing float.

The broken lines in the drawings are for illustrative purposes only and form no part of the claimed design.

1 Claim, 3 Drawing Sheets



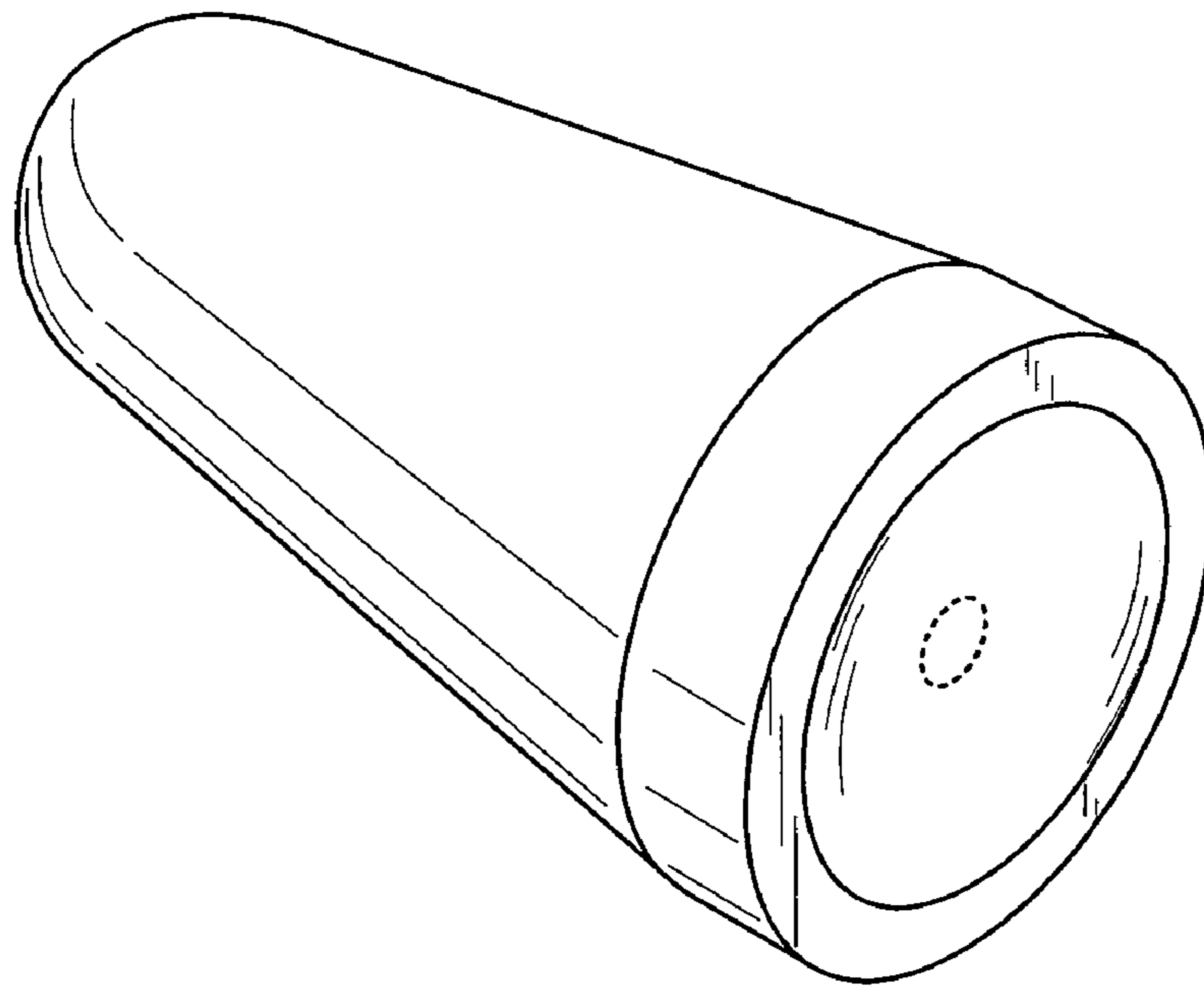


FIG. 1

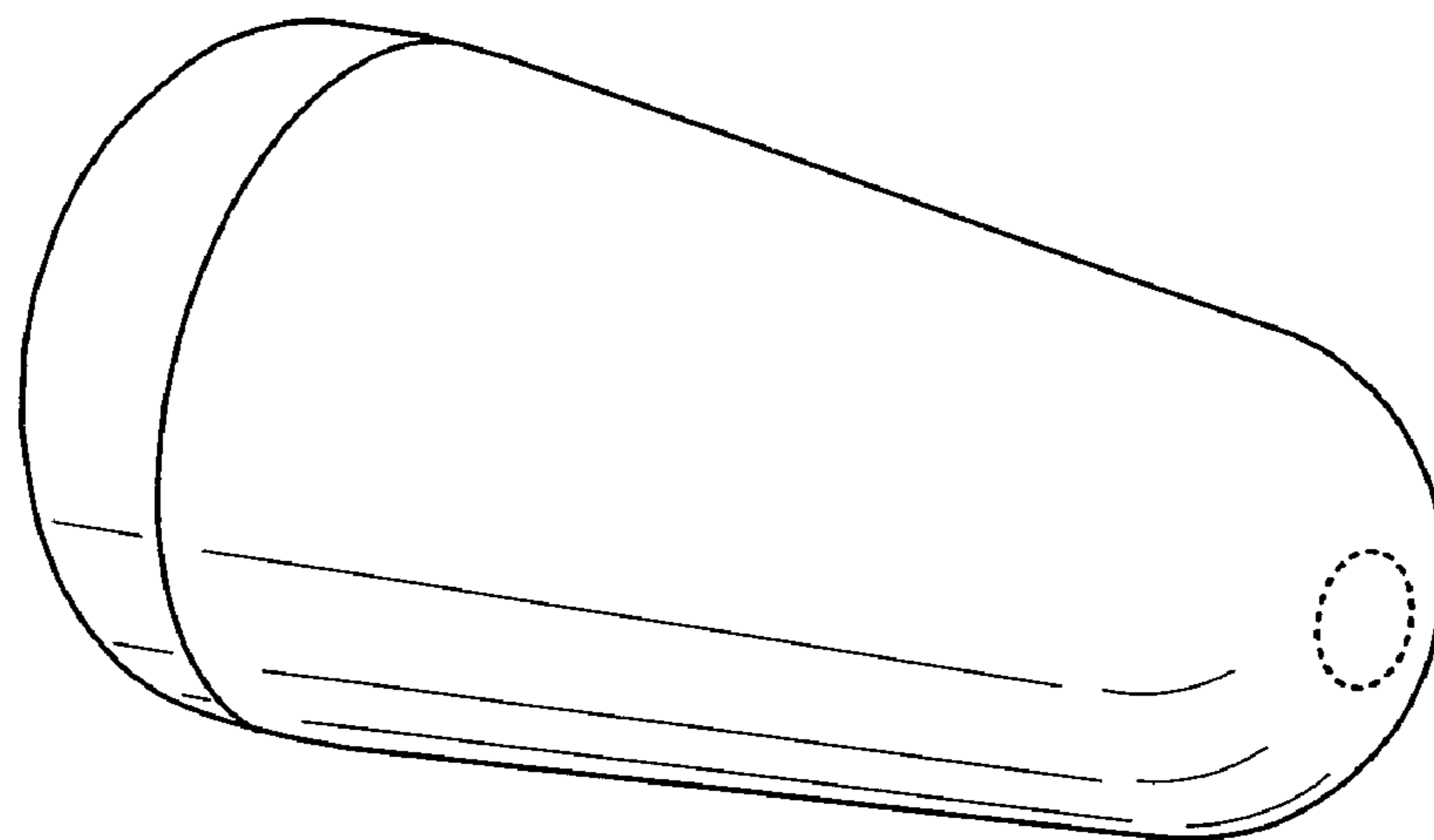


FIG. 2

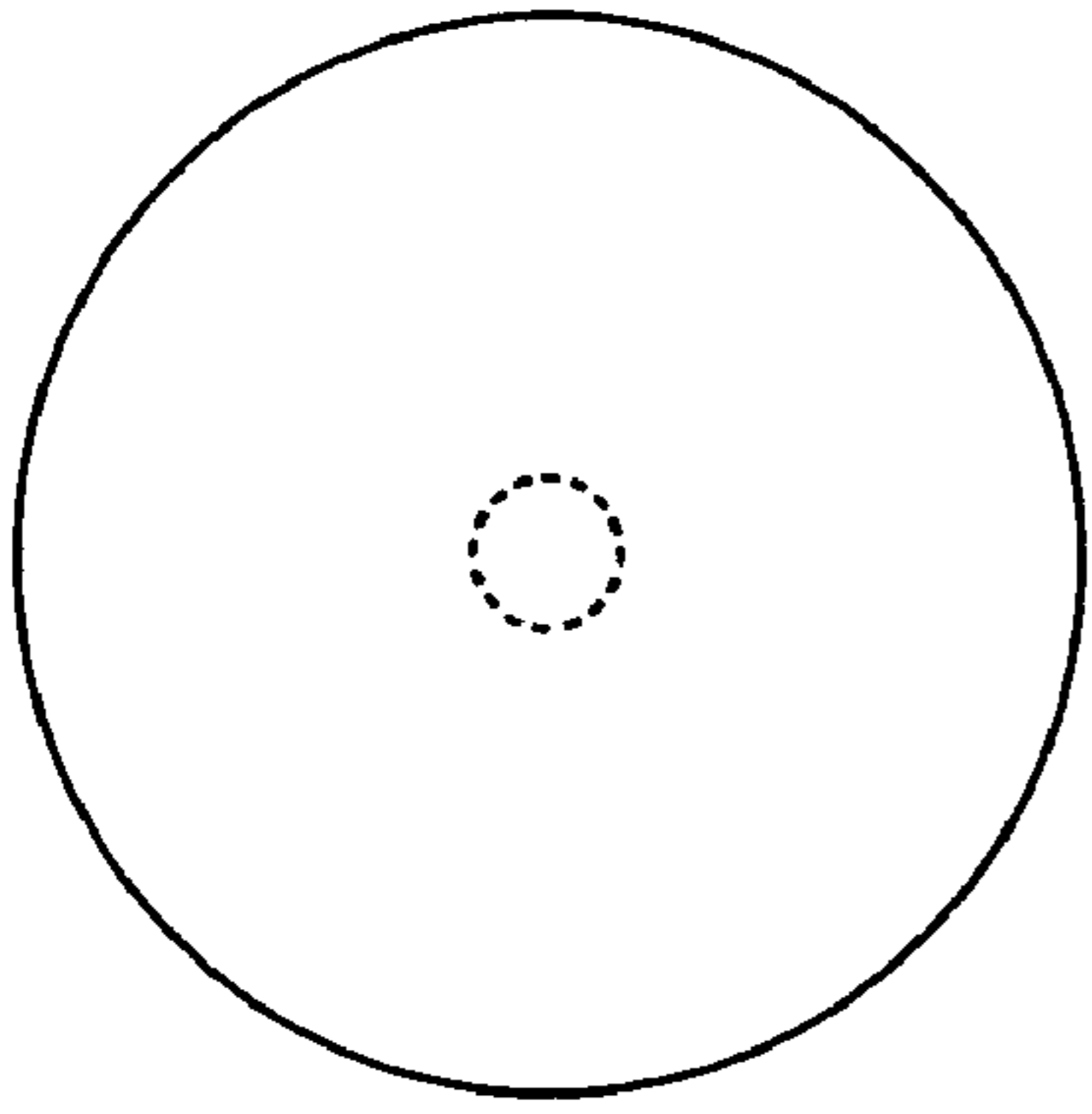


FIG. 5

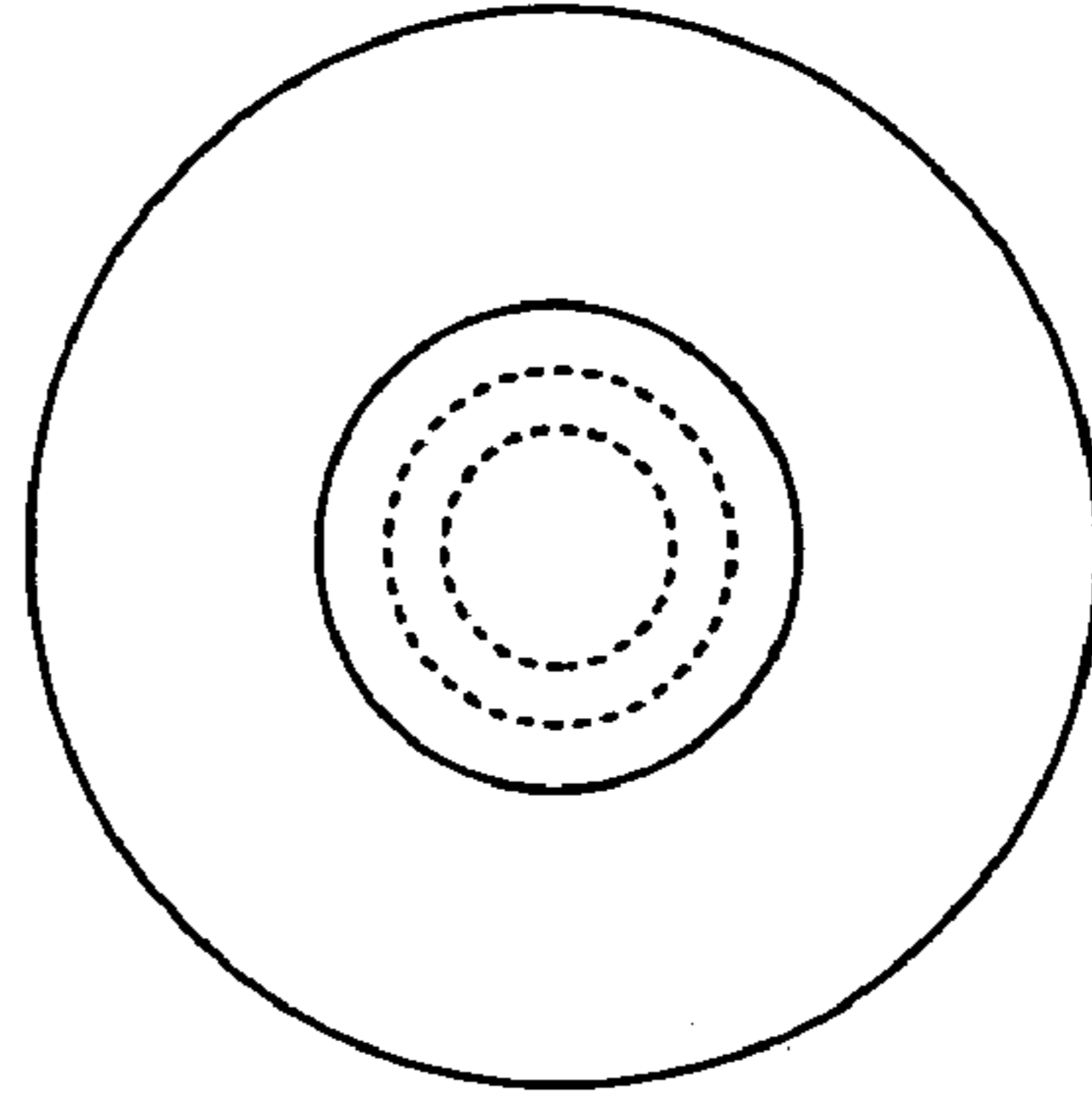


FIG. 8

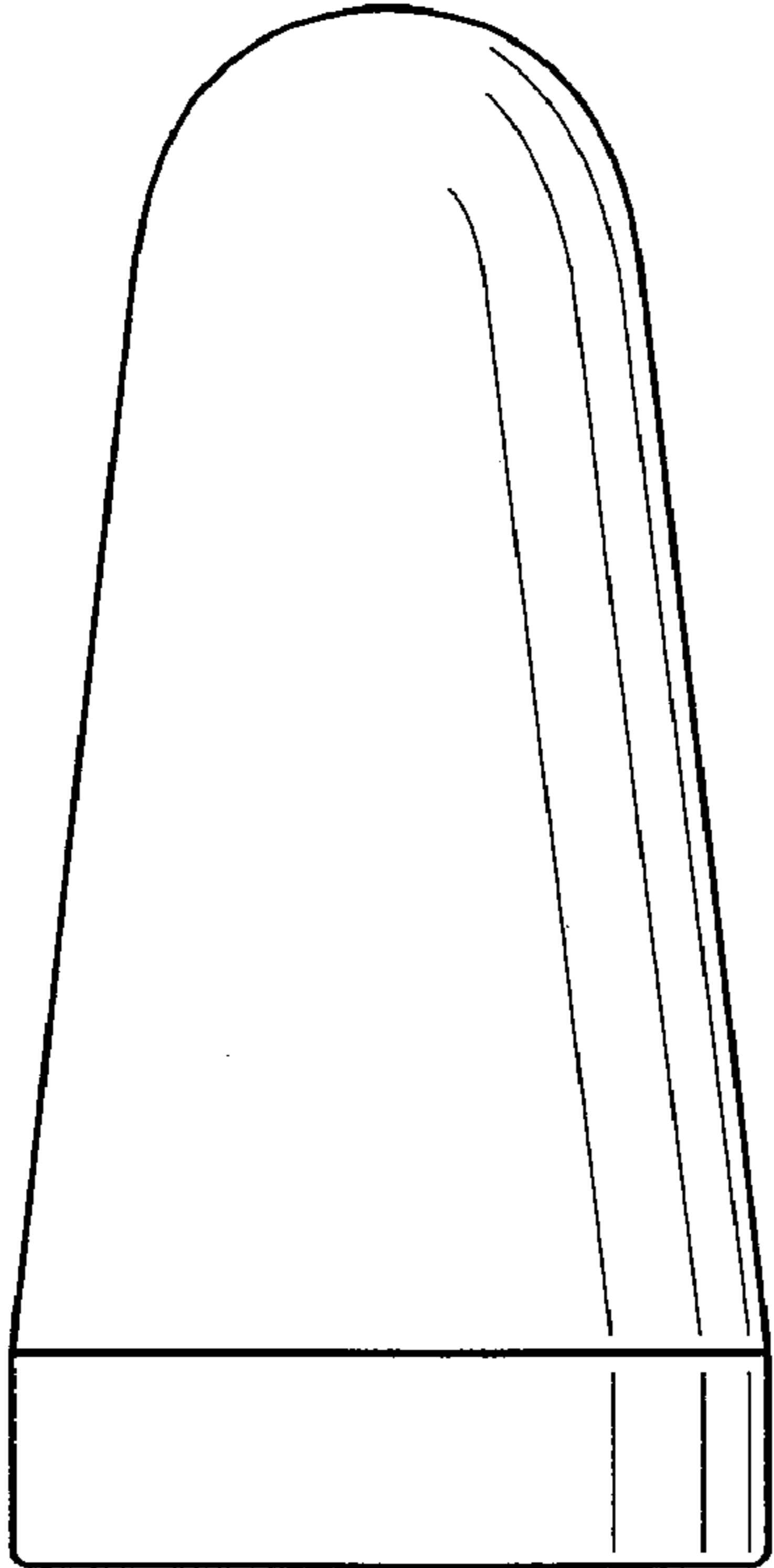


FIG. 4



FIG. 7

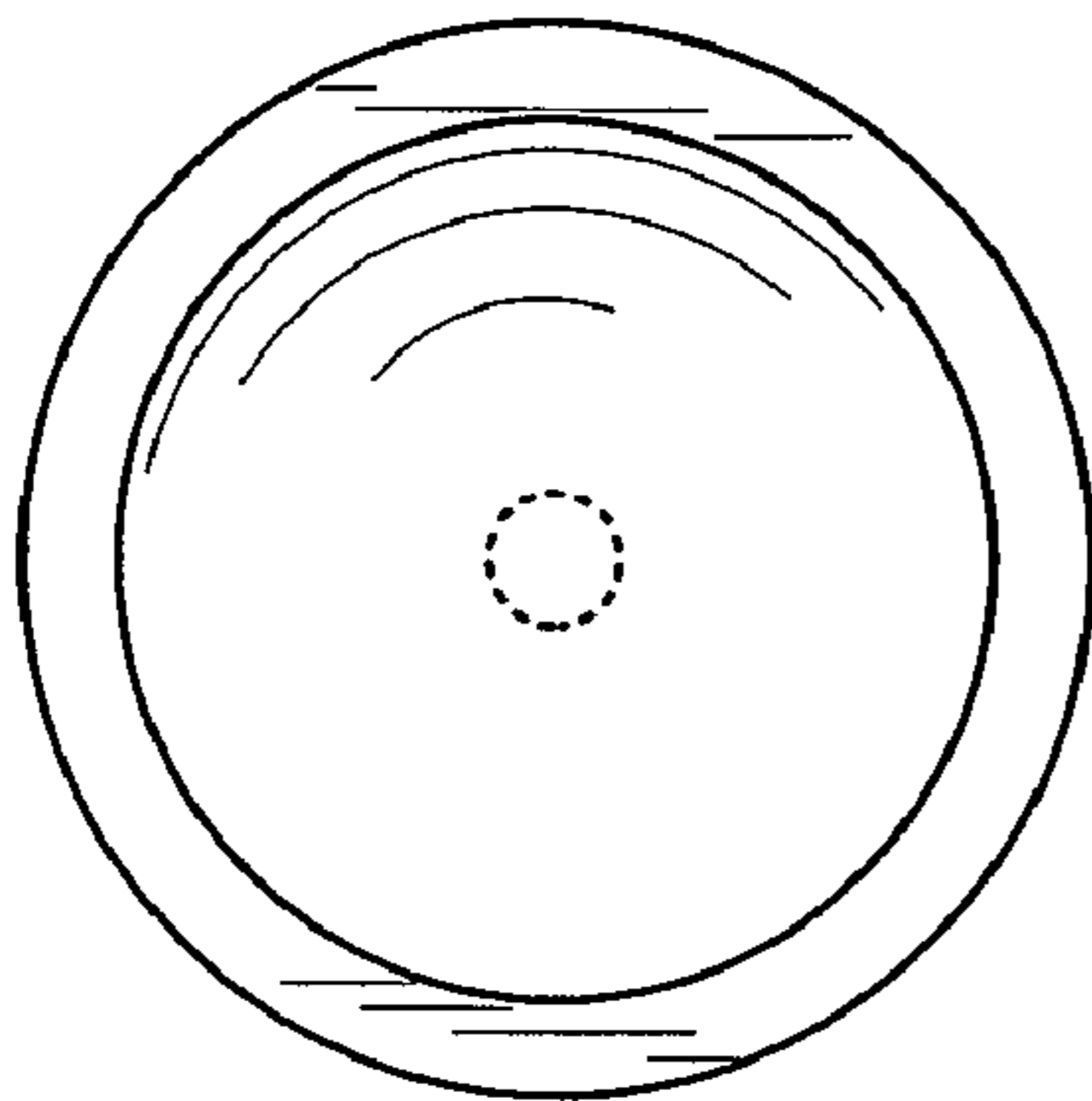


FIG. 3

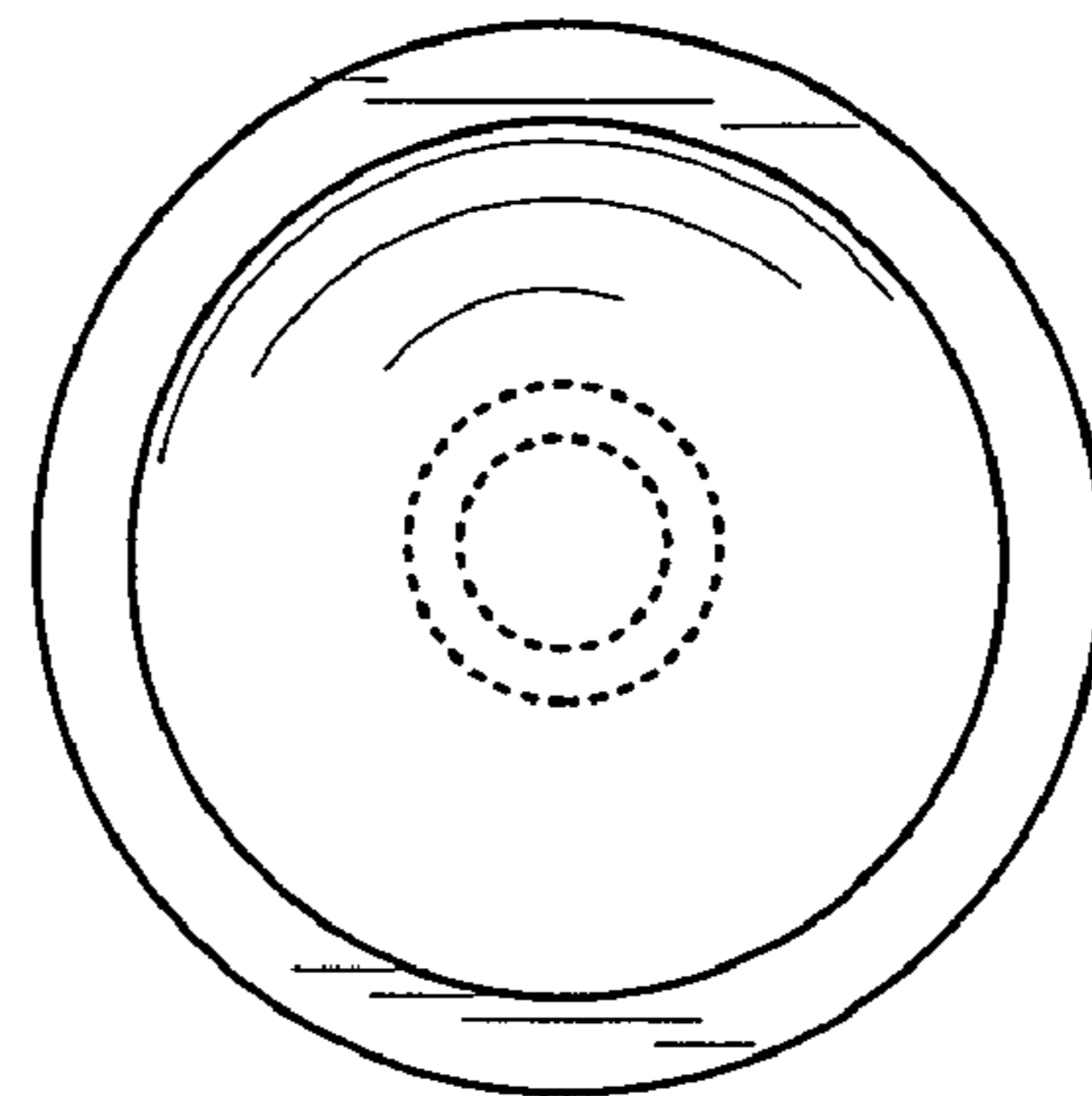


FIG. 6

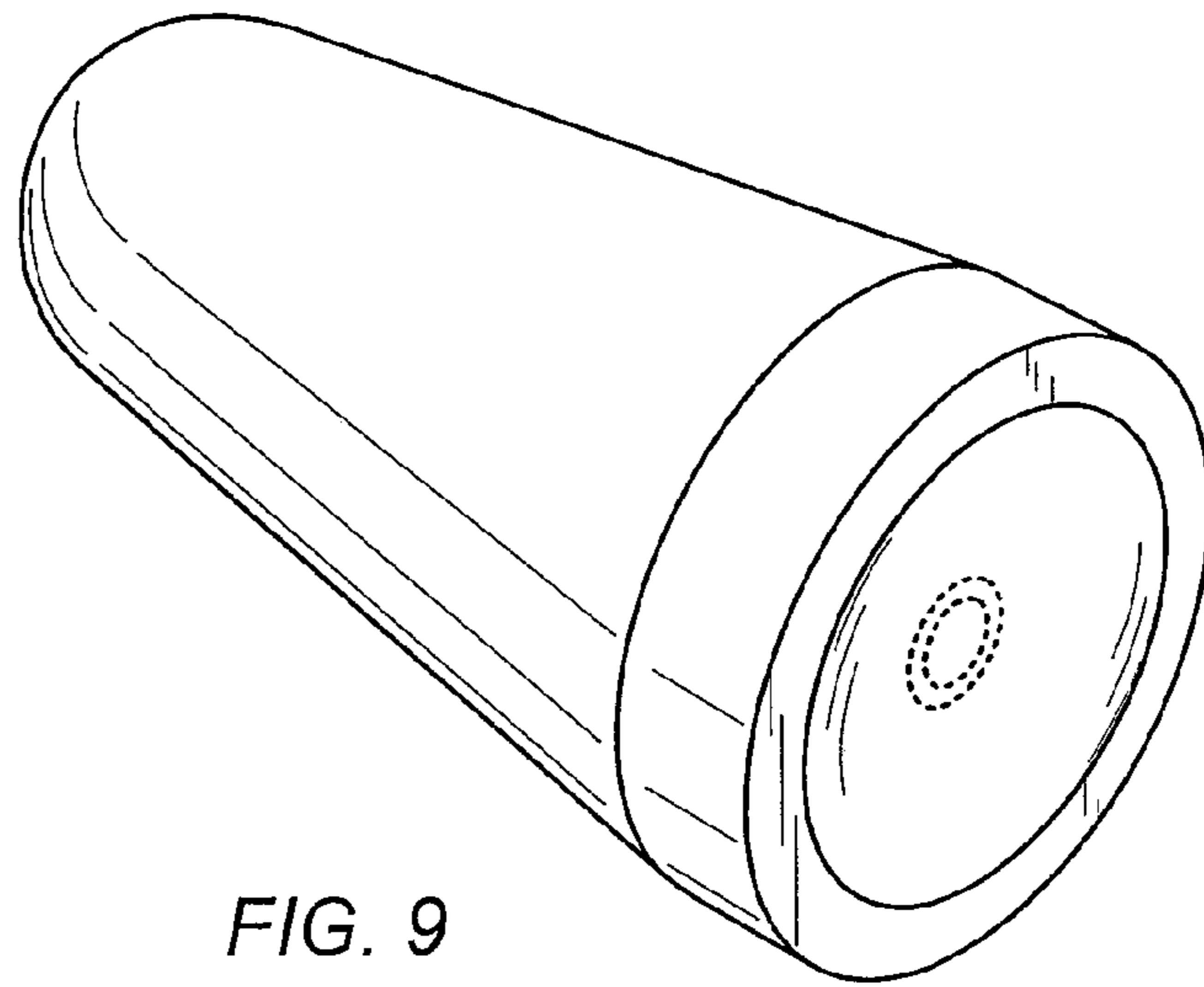


FIG. 9

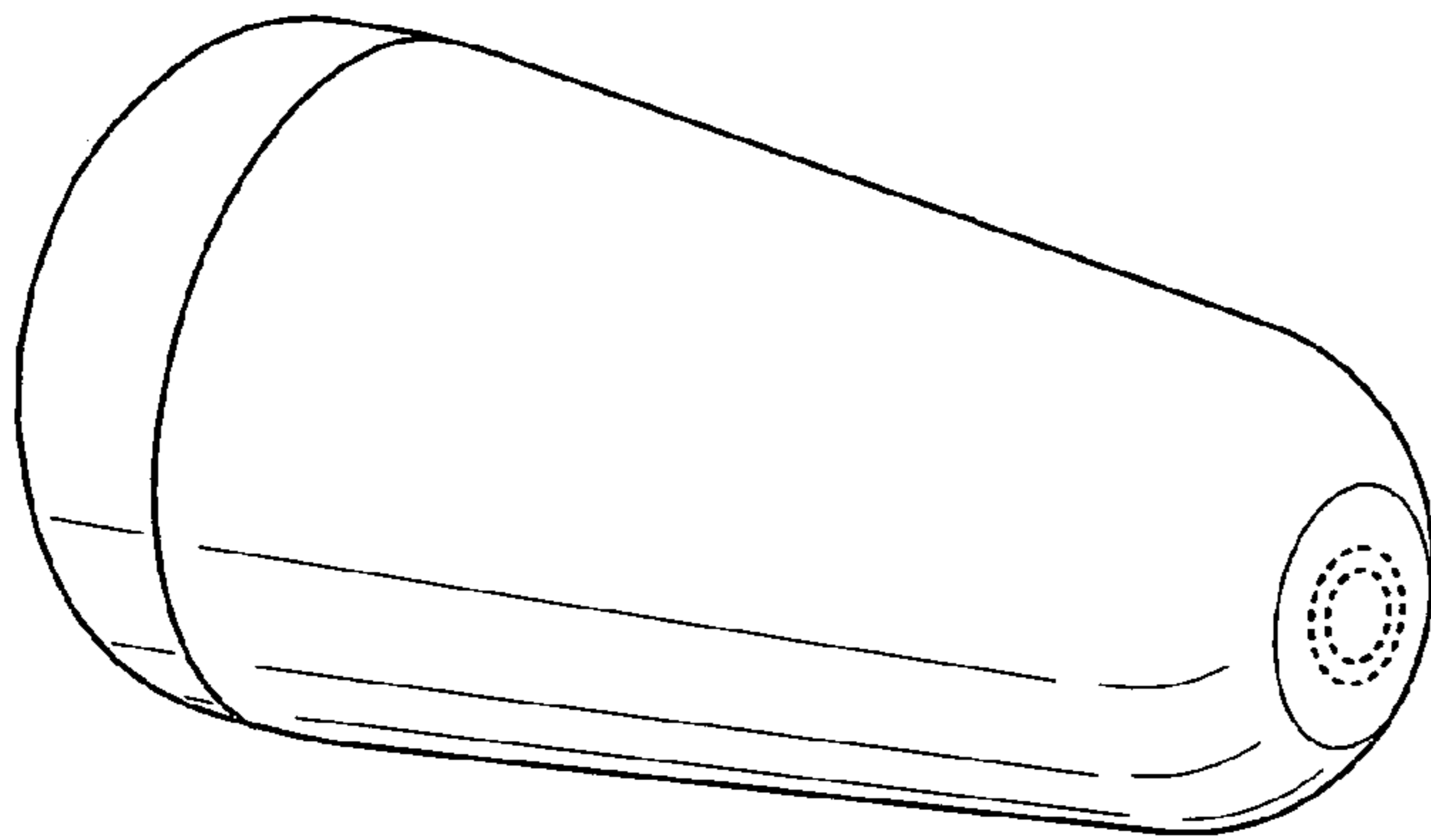


FIG. 10

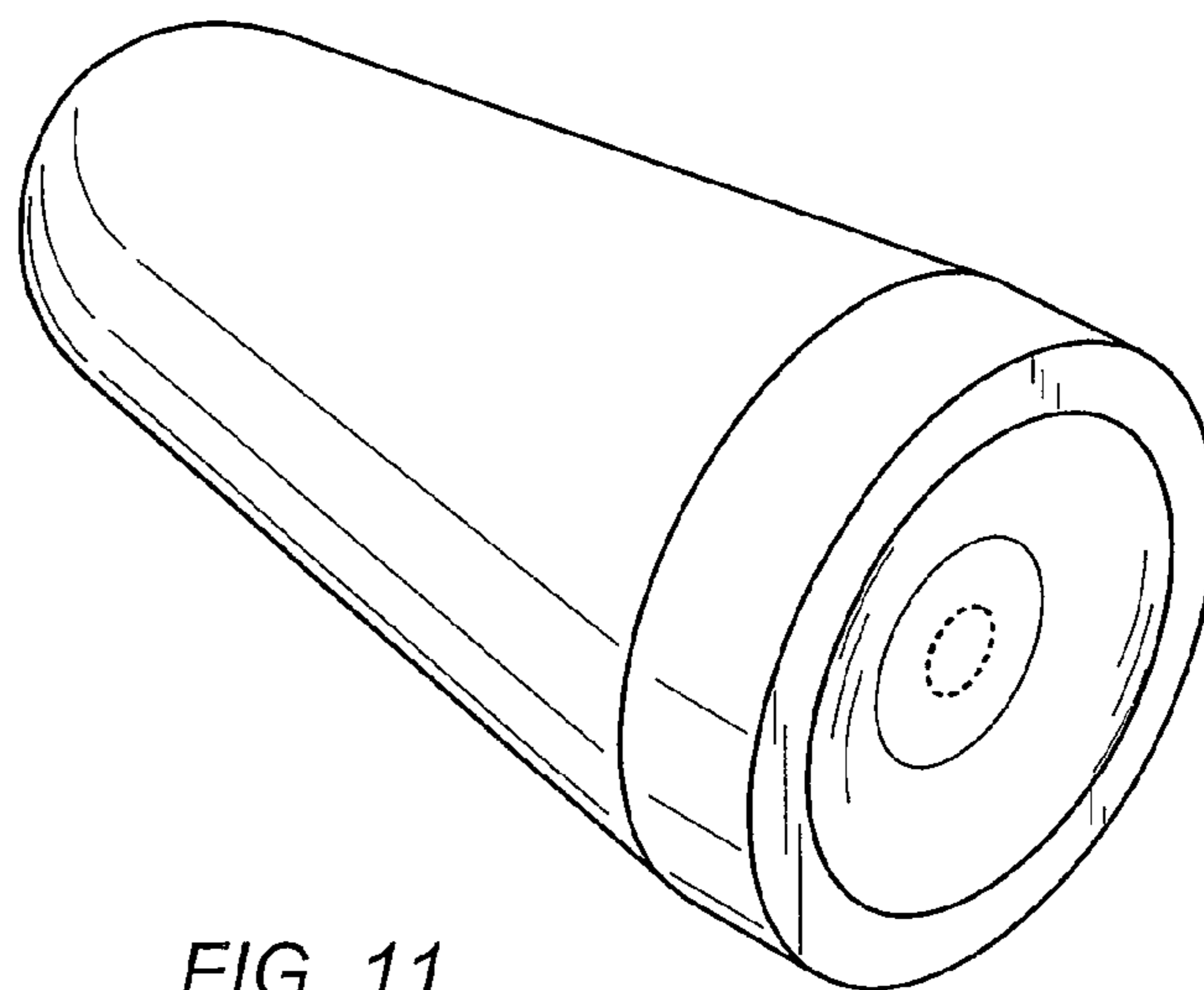


FIG. 11