



US00D562933S

(12) **United States Design Patent** (10) **Patent No.:** **US D562,933 S**
Repine (45) **Date of Patent:** **** Feb. 26, 2008**

(54) **TREBLE HOOK PROTECTOR AND STORAGE BAR**
(76) Inventor: **Charles Edward Repine**, 136 Sandy Lake Cir., Fayetteville, GA (US) 30214
(**) Term: **14 Years**
(21) Appl. No.: **29/268,893**
(22) Filed: **Nov. 14, 2006**
(51) **LOC (8) Cl.** **22-05**
(52) **U.S. Cl.** **D22/144**
(58) **Field of Classification Search** D22/144, D22/134; 43/57.1, 43.16, 44.8, 43.6, 43.2, 43/43.4, 42.43; 206/315.11
See application file for complete search history.

JP	9-140307	6/1997
JP	9-294509	11/1997
JP	2000-300138 A	10/2000
JP	2001-37390	2/2001
JP	2001-204337	7/2001
JP	2002-125556	5/2002
JP	2002-142636	5/2002
JP	2002-238428 A	8/2002
JP	2002-320434	11/2002
JP	2003-61537	3/2003
JP	2003-289779	10/2003
JP	2004-24222	1/2004
SE	9400388	8/1995
WO	82/03213 A1	9/1982
WO	89/11791 A1	12/1989
WO	03/077647 A1	9/2003
WO	2004/032619 A1	4/2004

Primary Examiner—Cathering R. Oliver
(74) Attorney, Agent, or Firm—Cantor Colburn LLP

(56) **References Cited**

U.S. PATENT DOCUMENTS

867,439 A	10/1907	Staehe	43/25.2
1,255,516 A	2/1918	Daller	43/57.1
2,204,185 A	6/1940	Lougheed	43/57.1
2,482,881 A	9/1949	Sonner, Jr.	43/57.1
2,550,039 A	4/1951	Carlson	43/57.1
D167,803 S	9/1952	Miller	D22/144
2,614,359 A	10/1952	Galbraith et al.	43/57.1
2,616,209 A	11/1952	Ploen	43/57.1
2,685,756 A	8/1954	Mowbray	43/57.1
2,703,467 A	3/1955	Shepherd	43/57.1
2,711,611 A	6/1955	Miner	43/57.1
2,775,060 A	12/1956	Barker	43/57.1
2,812,611 A	11/1957	Messick	43/57.1
2,841,917 A	7/1958	Haskell	43/57.1
2,932,118 A	4/1960	Jend	43/57.1
3,331,152 A	7/1967	Starrett	43/57.1
3,363,357 A	1/1968	Sokol	43/42.4

(Continued)

FOREIGN PATENT DOCUMENTS

DE	29608745 U1	9/1996
JP	8-238048	9/1996
JP	9-65810	3/1997

(57) **CLAIM**

I claim the ornamental design for a treble hook protector and storage bar, as shown and described.

DESCRIPTION

Priority based on U.S. patent application Ser. No. 10/985, 224, filed Nov. 9, 2004, and entitled, "Treble Hook Protector Apparatus", is claimed.

FIG. 1 is a perspective view of a treble hook protector and storage bar;

FIG. 2 is a top plan view thereof;

FIG. 3 is a front end view thereof;

FIG. 4 is a right side elevational view thereof;

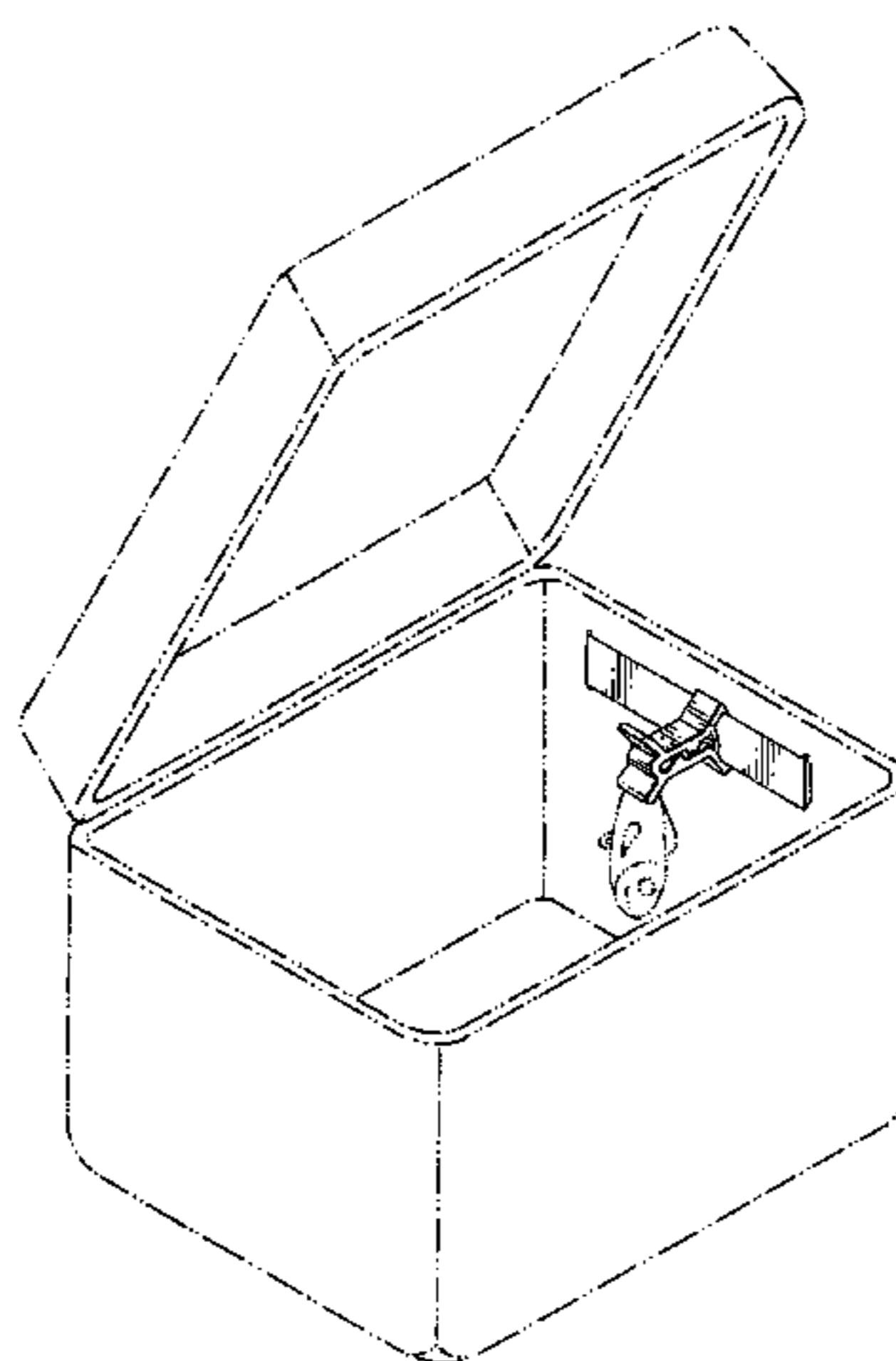
FIG. 5 is a bottom plan view thereof;

FIG. 6 is a rear end view thereof; and,

FIG. 7 is a left side elevational view thereof.

The broken line illustrations in the drawing disclosure are not part of the design sought to be patented.

1 Claim, 3 Drawing Sheets



US D562,933 S

Page 2

U.S. PATENT DOCUMENTS

3,512,295 A	5/1970	La Barge	43/57.1	D324,093 S *	2/1992	Wilson	D22/144
3,645,419 A	2/1972	Shorrock	43/44.91	5,123,199 A	6/1992	Lysohir et al.	43/57.1
3,815,274 A	6/1974	Schleif	43/42.1	5,335,444 A	8/1994	Janeiro	43/57.1
4,217,721 A	8/1980	Hershberger	43/43.2	5,502,916 A	4/1996	Krewson, Jr.	43/25.2
4,452,003 A	6/1984	Deutsch et al.	43/25.2	6,082,040 A	7/2000	Burk	43/43.6
4,614,054 A	9/1986	Fovenyessy	43/43.2	D515,657 S *	2/2006	Ljungstrom	D22/144
4,667,433 A	5/1987	Thompson, Jr.	43/25.2	7,069,687 B2	7/2006	Jang	43/57.1
4,757,637 A	7/1988	Christensen	43/57.1	D528,628 S *	9/2006	Duymaz	D22/144
4,833,814 A	5/1989	Zygutis	43/48.2	2005/0091910 A1	5/2005	Jang	
4,869,012 A	9/1989	Brenholt	43/42.1				

* cited by examiner

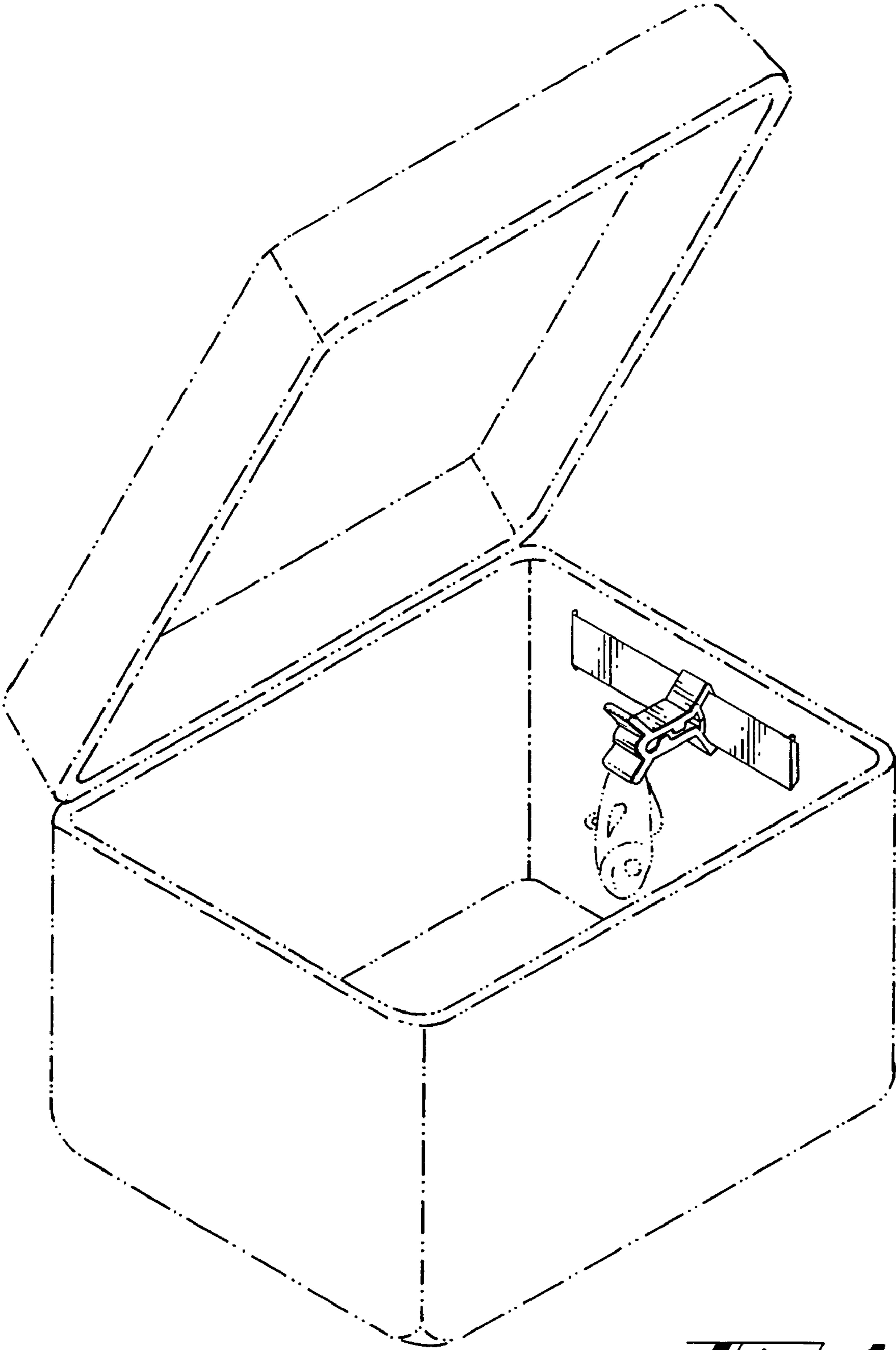


Fig. 1

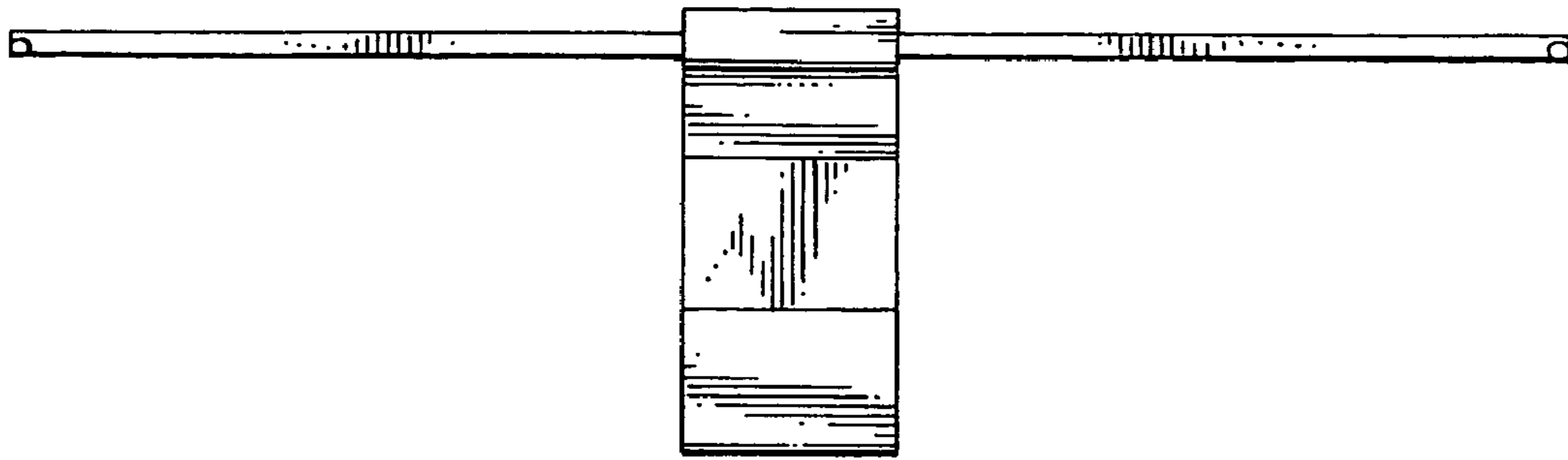


Fig. 2

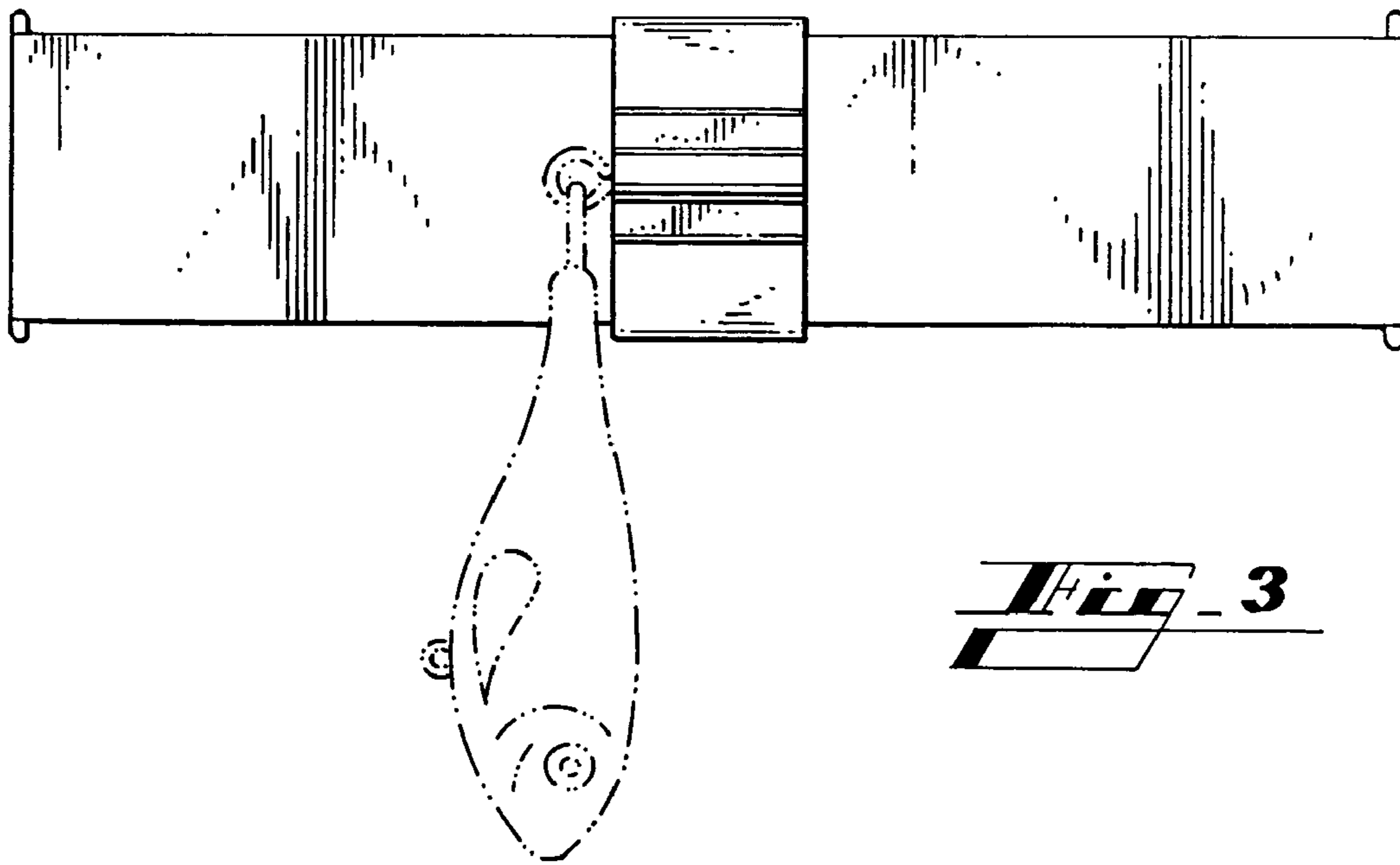
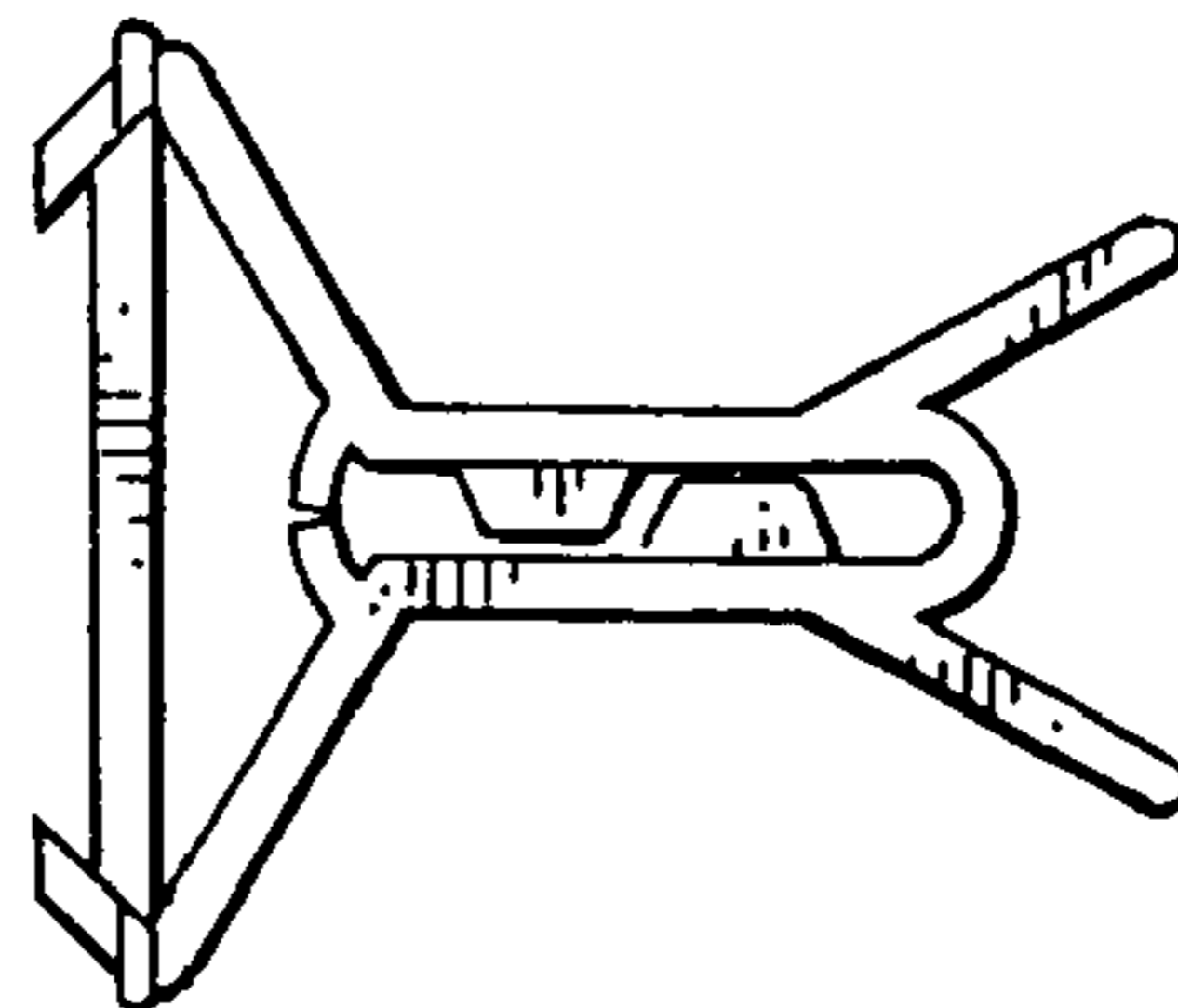


Fig. 3

Fig. 4



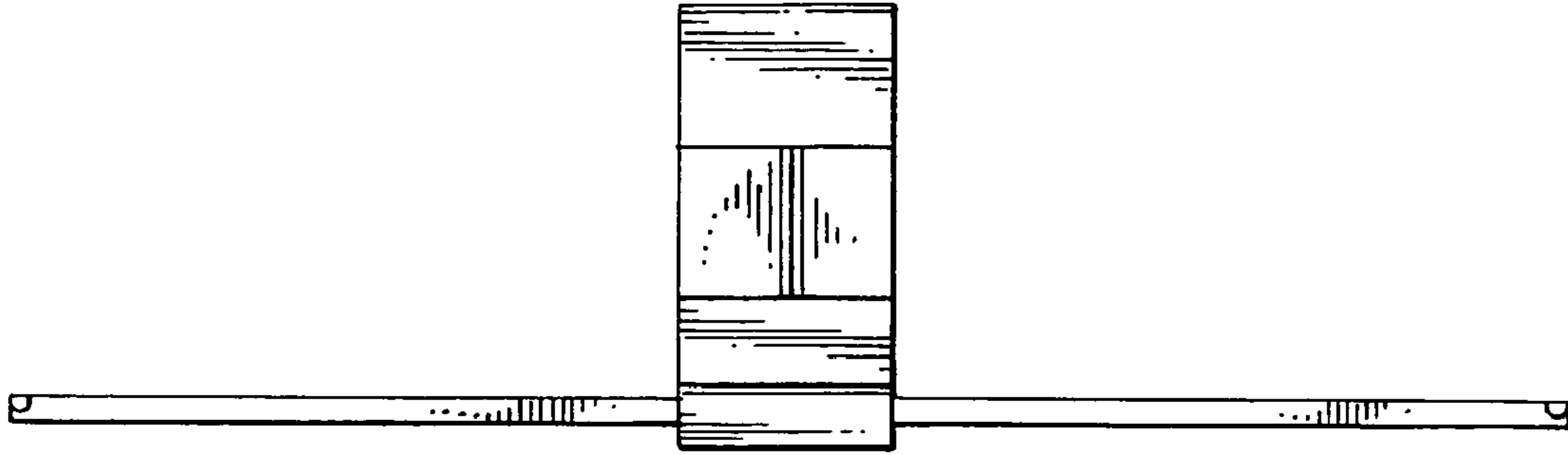


Fig. 5

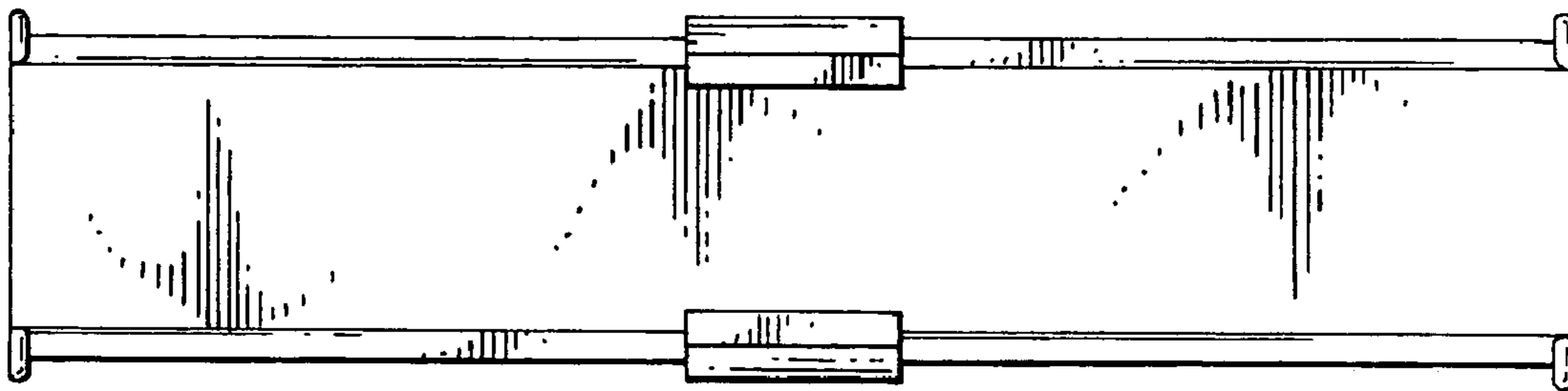


Fig. 6

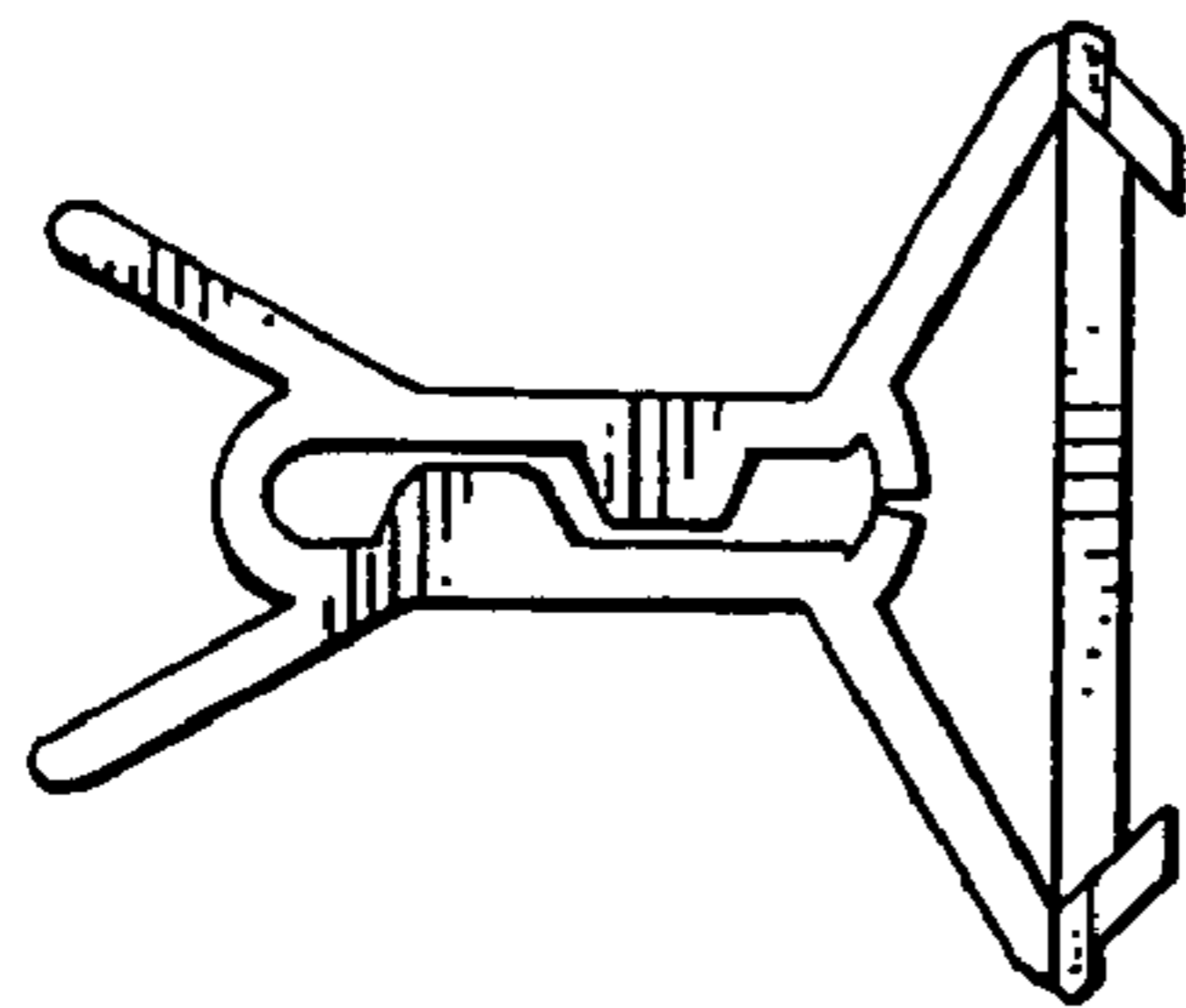


Fig. 7