

US00D562931S

(12) **United States Design Patent**  
**Szabo**

(10) **Patent No.:** **US D562,931 S**

(45) **Date of Patent:** **\*\* Feb. 26, 2008**

(54) **HANDGUN GRIP**

(76) **Inventor:** **Attila Szabo**, 980 Tapscott Road,  
Toronto, Ontario (CA) M1X 1C3

(\*\*) **Term:** **14 Years**

(21) **Appl. No.:** **29/216,005**

(22) **Filed:** **Oct. 29, 2004**

(51) **LOC (8) Cl.** ..... **22-01**

(52) **U.S. Cl.** ..... **D22/108**

(58) **Field of Classification Search** ..... D22/100,  
D22/104, 105, 108, 199; D21/567, 570,  
D21/573, 574, 575; 124/22, 37, 40; 362/114;  
42/1.02, 7, 50, 65, 66, 70.11, 71.01, 71.02,  
42/74, 75.03, 117

See application file for complete search history.

(56) **References Cited**

**U.S. PATENT DOCUMENTS**

D257,166 S *	9/1980	Hogue	.....	D22/104
4,315,379 A *	2/1982	Lang	.....	42/71.02
D349,938 S *	8/1994	Hogue et al.	.....	D22/108
5,621,997 A *	4/1997	Pearce	.....	42/71.02
D393,194 S *	4/1998	Hogue et al.	.....	D8/70

D479,571 S *	9/2003	Benini	.....	D22/108
D487,298 S *	3/2004	Clare et al.	.....	D22/108
D505,475 S *	5/2005	Salva	.....	D22/104

\* cited by examiner

*Primary Examiner*—Ian Simmons

*Assistant Examiner*—Melanie Levy

(74) *Attorney, Agent, or Firm*—Finnegan, Henderson,  
Farabow, Garrett & Dunner, L.L.P.

(57) **CLAIM**

The ornamental design for a handgun grip, as shown and described.

**DESCRIPTION**

FIG. 1 is a front-right perspective view of a first embodiment of the handgun grip of the design;

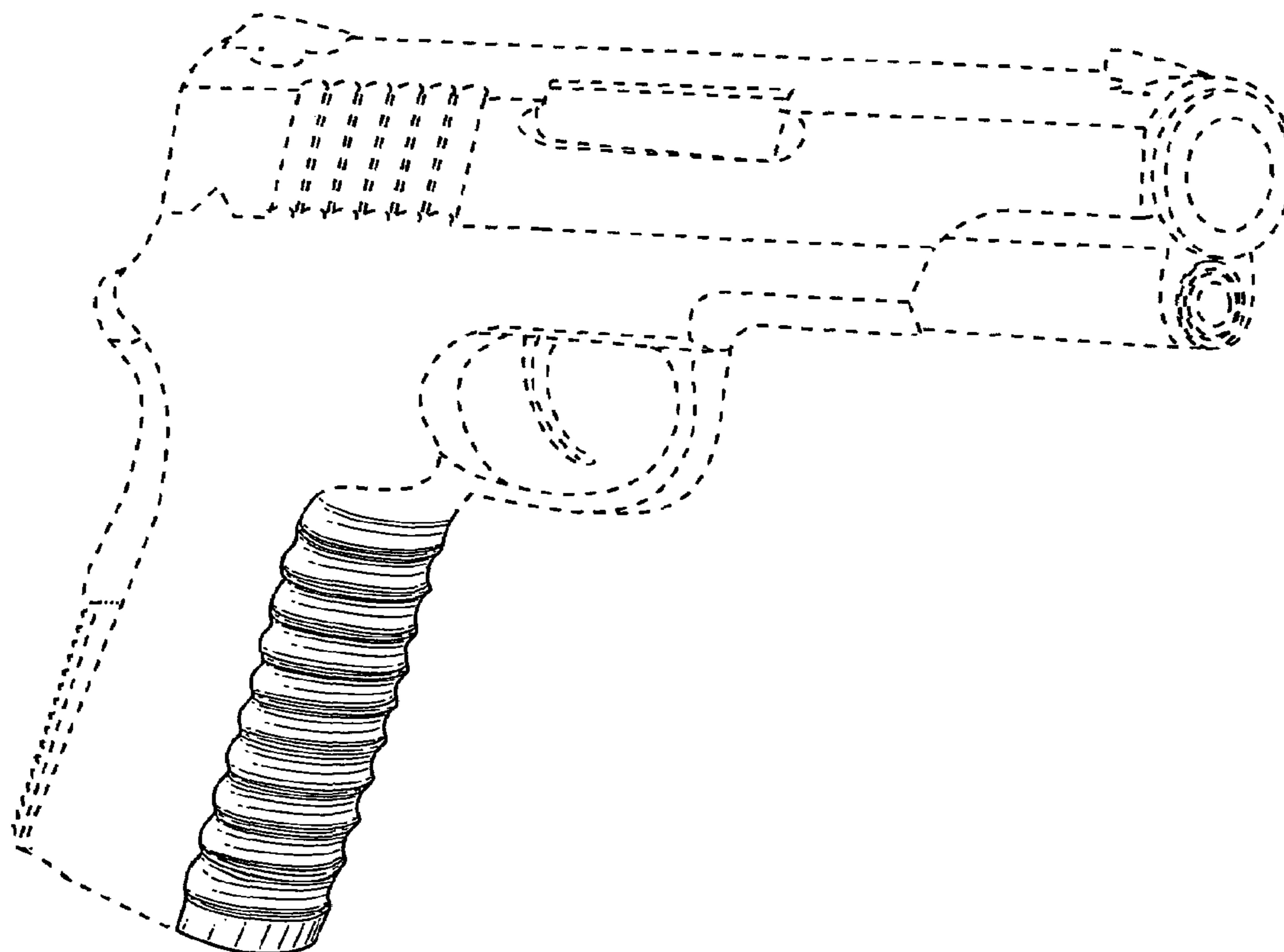
FIG. 2 is a front view thereof;

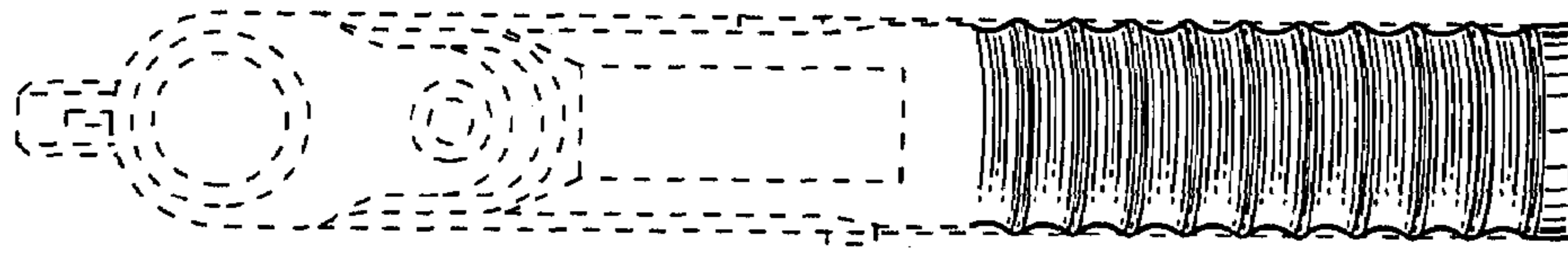
FIG. 3 is a left-side view thereof; and,

FIG. 4 is a bottom view thereof.

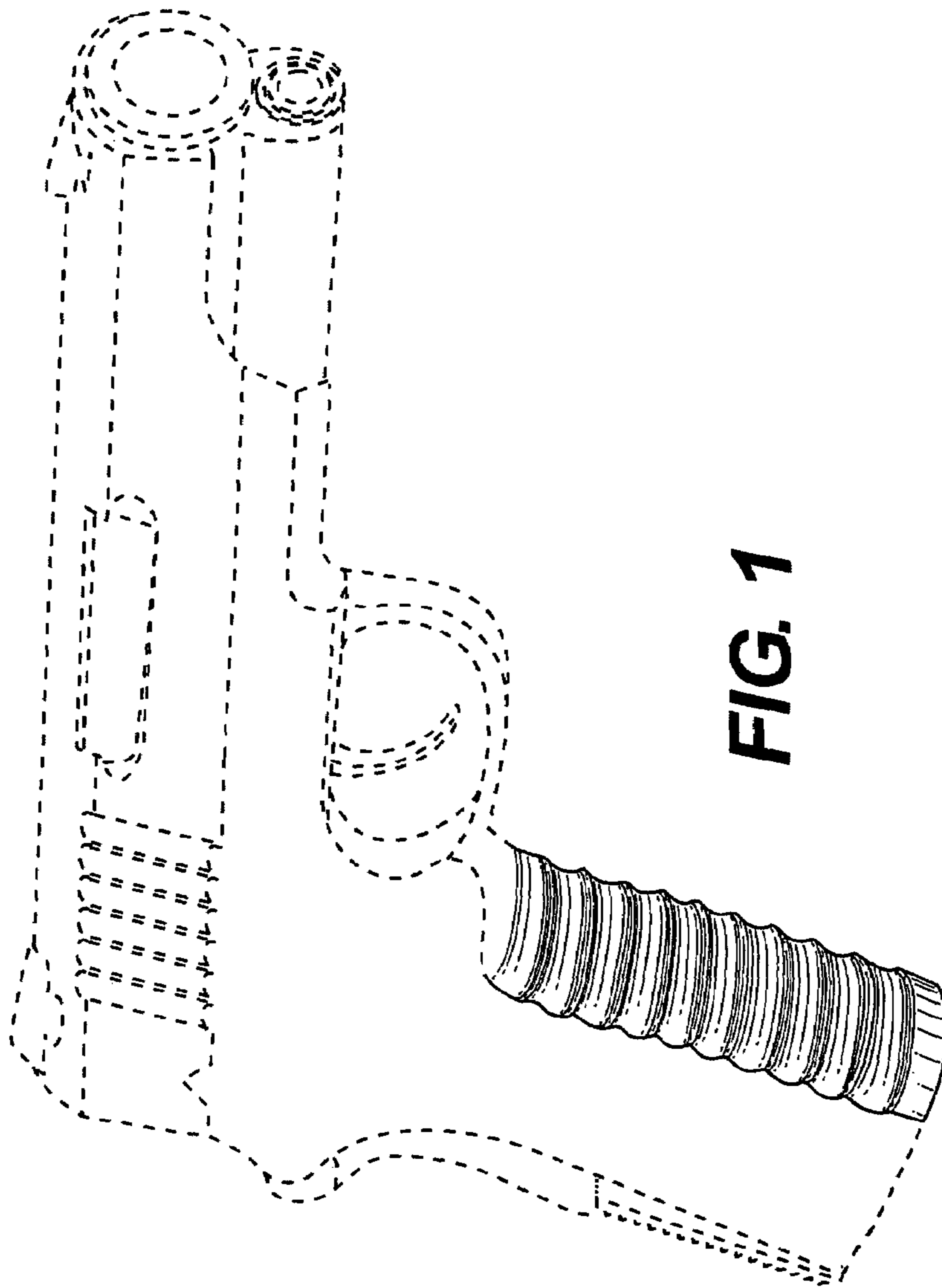
The portions of the embodiments depicted in broken lines form no part of the claimed design.

**1 Claim, 3 Drawing Sheets**

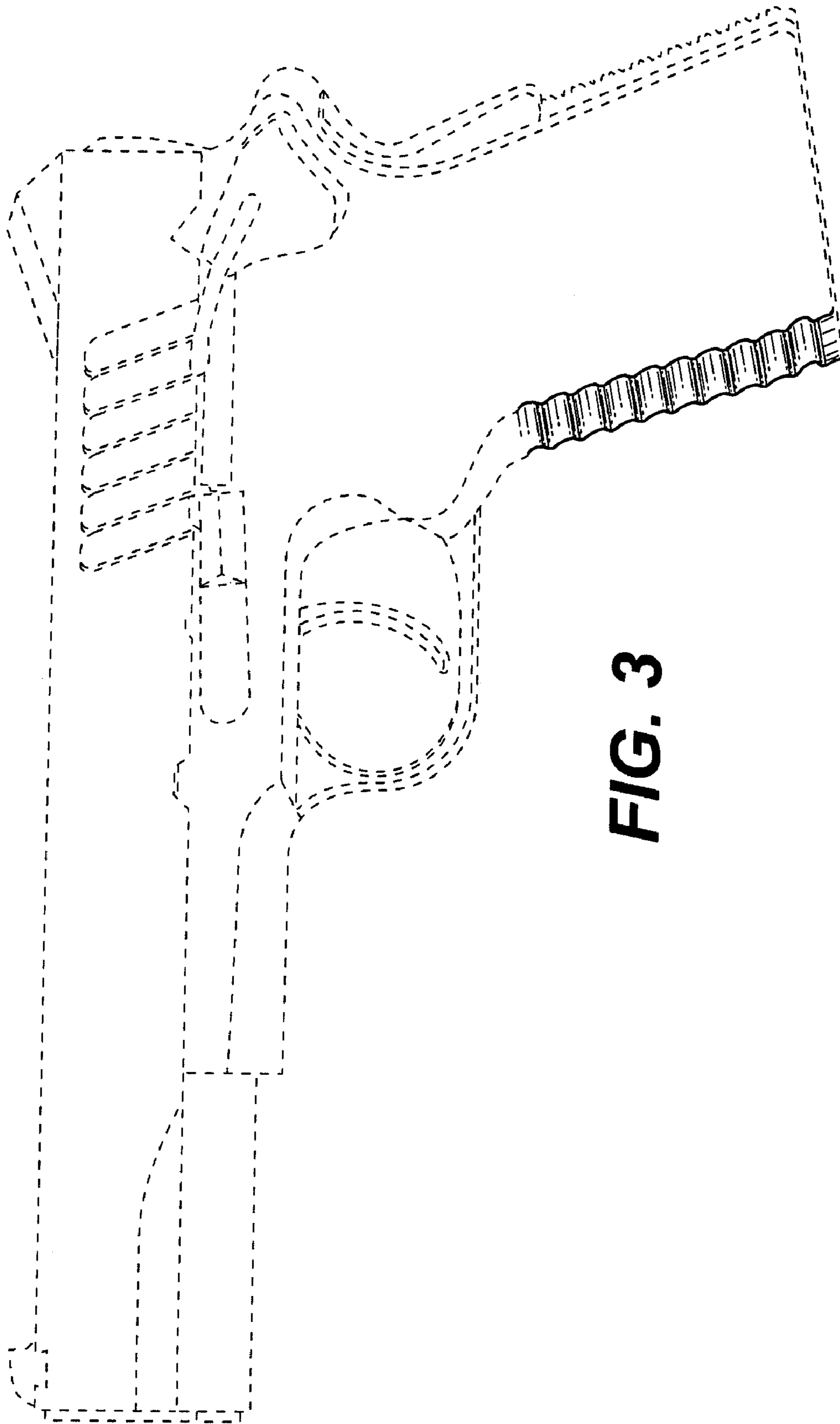




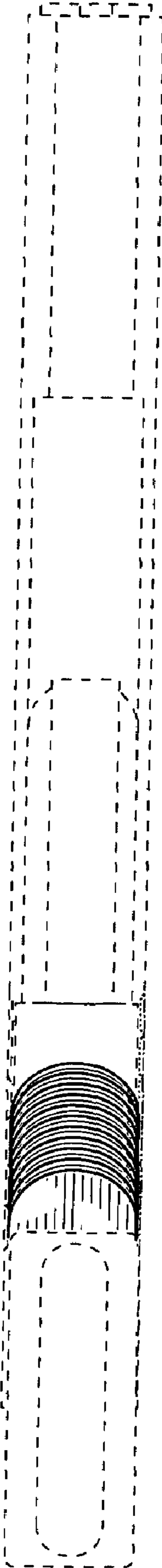
**FIG. 2**



**FIG. 1**



**FIG. 3**



**FIG. 4**