



US00D562926S

(12) **United States Design Patent** (10) **Patent No.:** **US D562,926 S**
Roberts et al. (45) **Date of Patent:** **** Feb. 26, 2008**

(54) **BADGE UPON A SOLE PLATE OF A GOLF CLUB HEAD**

(75) Inventors: **Clive Roberts**, Allen, TX (US); **Cindy Herington**, Plano, TX (US); **Derek Holiman**, Plano, TX (US); **John Ruggiero**, McKinney, TX (US)

(73) Assignee: **Adams Golf IP, L.P.**, Plano, TX (US)

(**) Term: **14 Years**

(21) Appl. No.: **29/287,541**

(22) Filed: **Aug. 20, 2007**

Related U.S. Application Data

(62) Division of application No. 29/268,736, filed on Nov. 13, 2006.

(51) **LOC (8) Cl.** **21-02**

(52) **U.S. Cl.** **D21/759**

(58) **Field of Classification Search** D21/733, D21/752, 759; 473/324-331, 343-346
See application file for complete search history.

(56) **References Cited**

U.S. PATENT DOCUMENTS

D365,129 S *	12/1995	Guibaud et al.	D21/752
5,547,188 A *	8/1996	Dumontier et al.	473/287
D398,681 S *	9/1998	Galy	D21/733
D433,073 S *	10/2000	Sodano	D21/752
D435,615 S *	12/2000	Besnard et al.	D21/752
D446,563 S *	8/2001	Besnard et al.	D21/752
D453,203 S	1/2002	Madore et al.	
6,364,788 B1	4/2002	Helmstetter et al.	
D470,903 S	2/2003	Evans et al.	
D491,244 S	6/2004	Tang	

D502,976 S *	3/2005	Nishitani et al.	D21/752
D503,956 S *	4/2005	Kono	D21/759
D506,236 S *	6/2005	Evans et al.	D21/752
D507,321 S	7/2005	Dogan et al.	
D508,544 S *	8/2005	Madore	D21/752
D516,651 S *	3/2006	Evans et al.	D21/752
D524,890 S *	7/2006	Foster et al.	D21/752
D526,374 S *	8/2006	Kawami	D21/759
D544,558 S *	6/2007	Oldknow	D21/759
D544,561 S *	6/2007	Oldknow	D21/759
D547,815 S *	7/2007	Tang et al.	D21/752
D550,800 S *	9/2007	Ruggiero et al.	D21/759

OTHER PUBLICATIONS

U.S. Appl. No. 75/627,646, Miscellaneous Design, filed Jan. 26, 1999.

* cited by examiner

Primary Examiner—Mitchell Siegel

(74) *Attorney, Agent, or Firm*—Gallagher & Dawsey Co LPA; David J. Dawsey; Michael J. Gallagher

(57) **CLAIM**

The ornamental design for a badge upon a sole plate of a golf club head, as shown and described.

DESCRIPTION

FIG. 1 is a perspective view from the heel of the sole plate of a golf club head showing our new design.

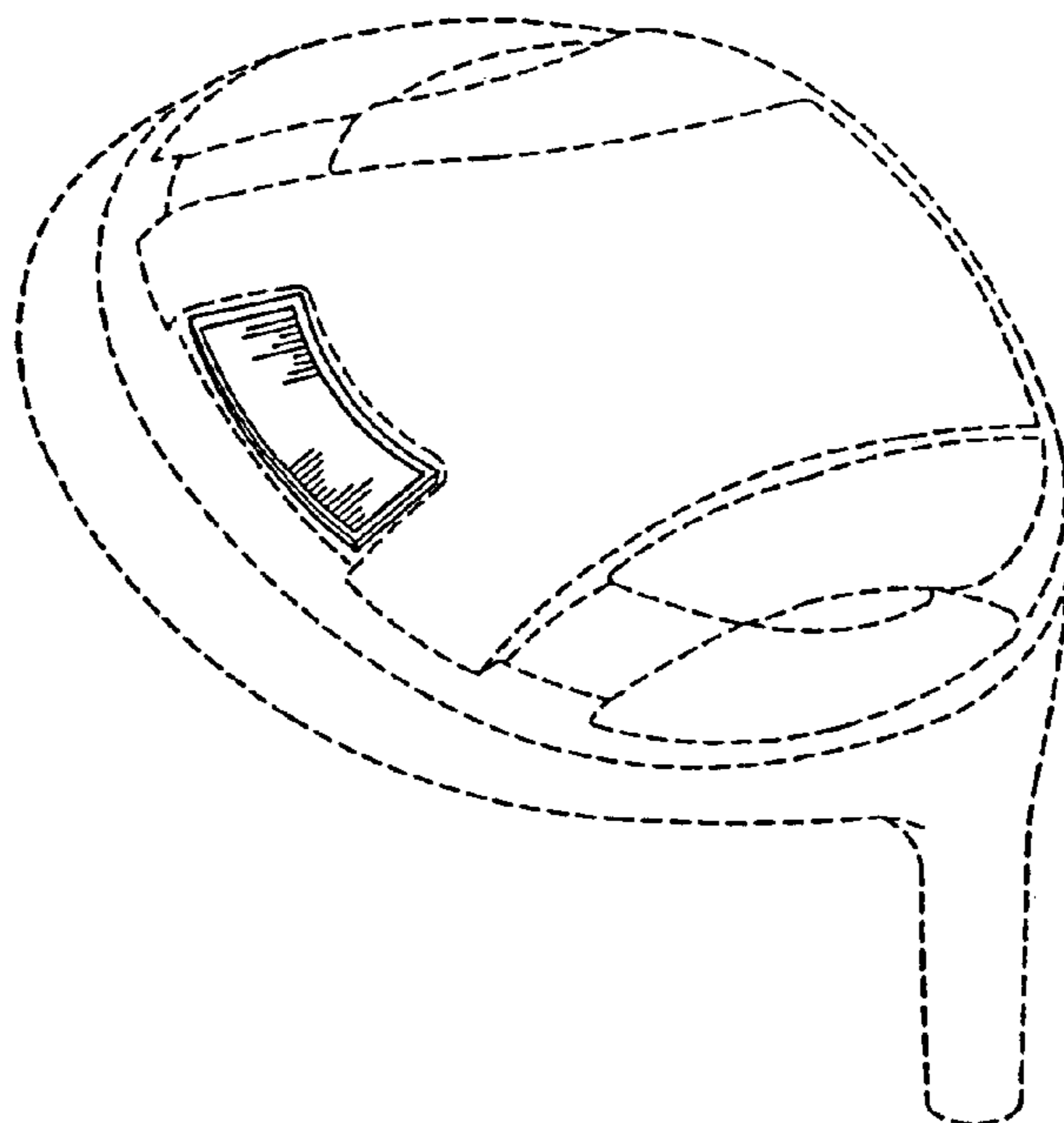
FIG. 2 is a perspective view from the toe thereof.

FIG. 3 is a bottom view thereof; and,

FIG. 4 is a rear plan view thereof.

The broken lines in the drawings are for the purpose of showing environmental structure and do not form a part of the design to be patented.

1 Claim, 2 Drawing Sheets



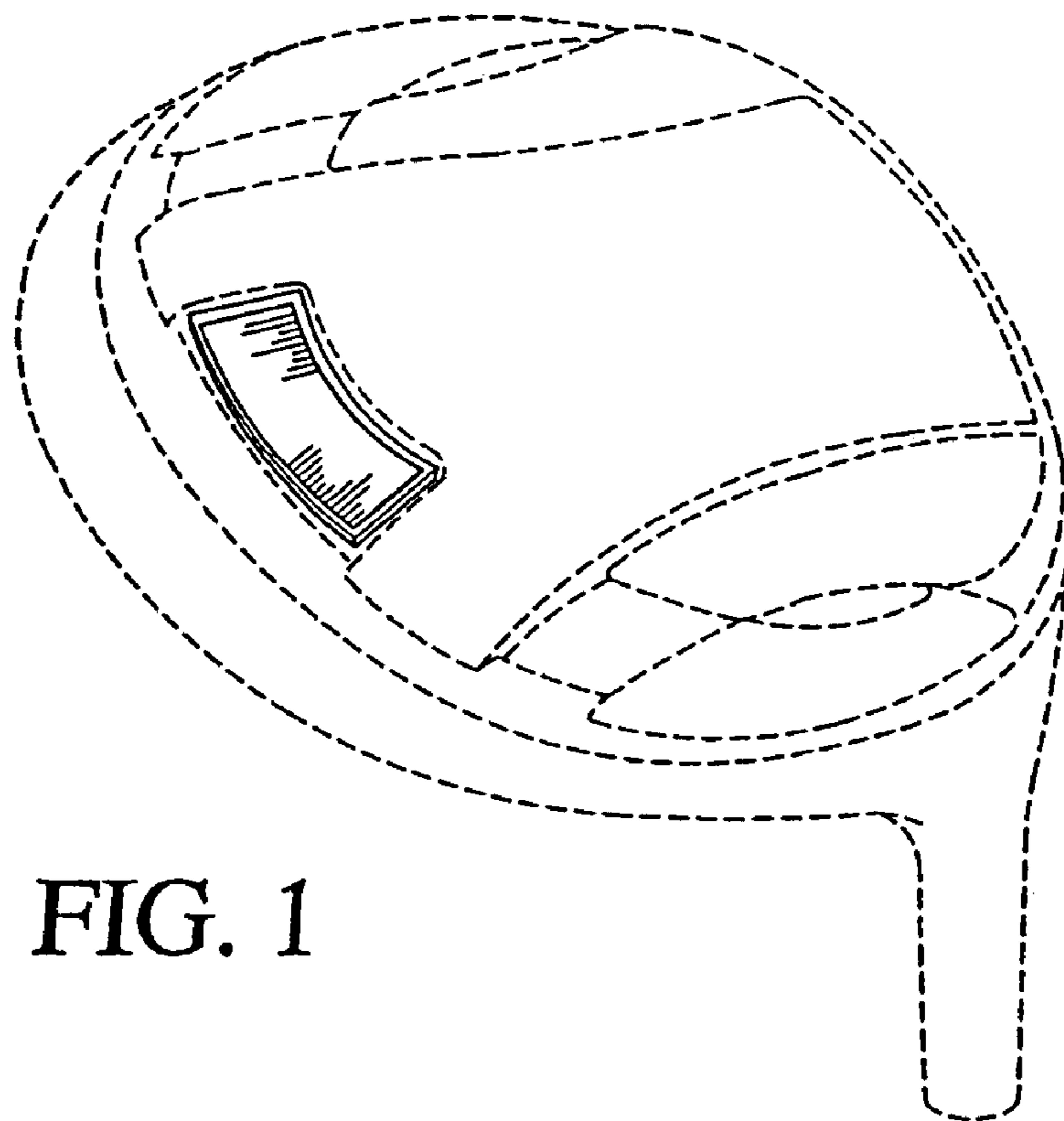


FIG. 1

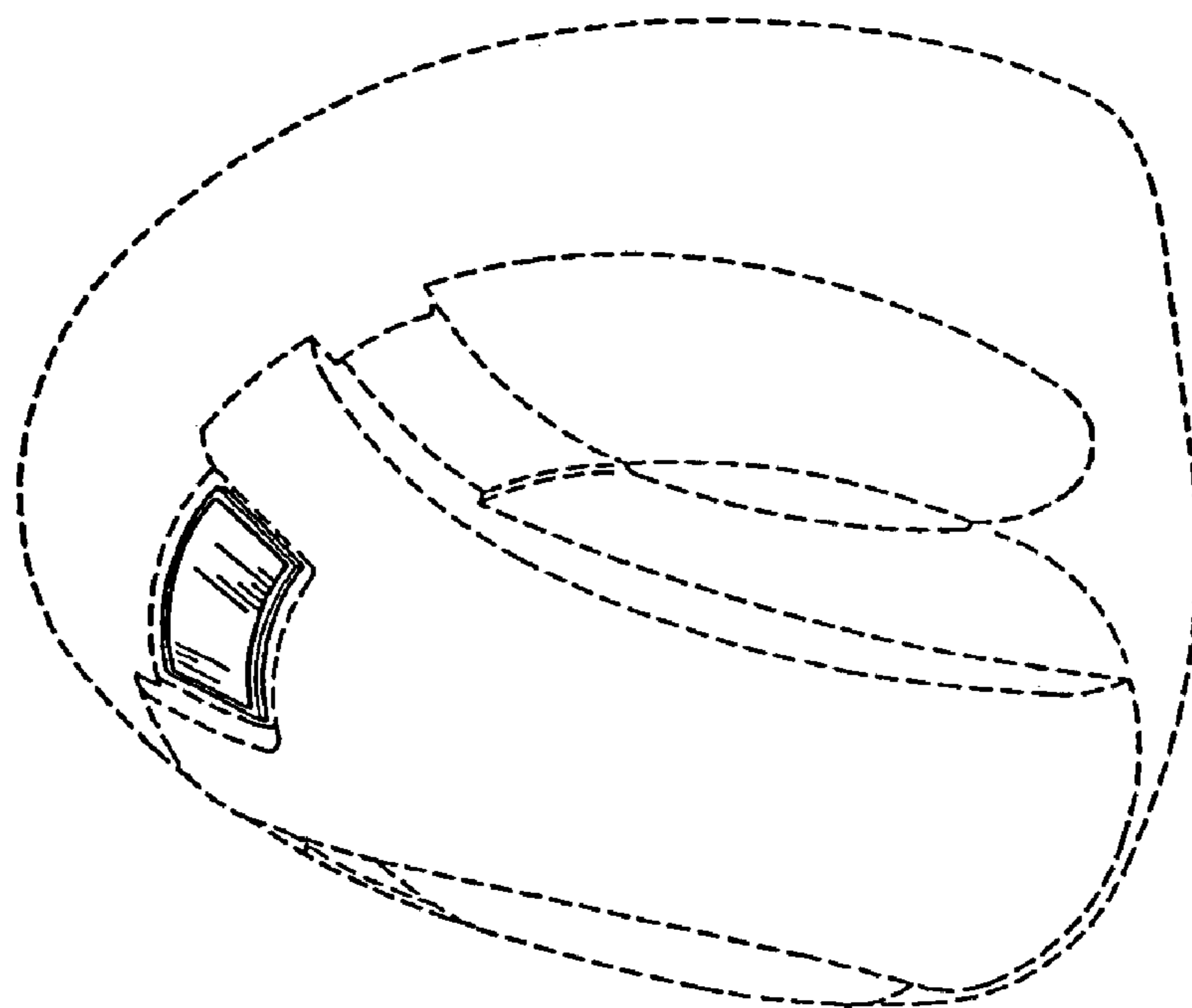


FIG. 2

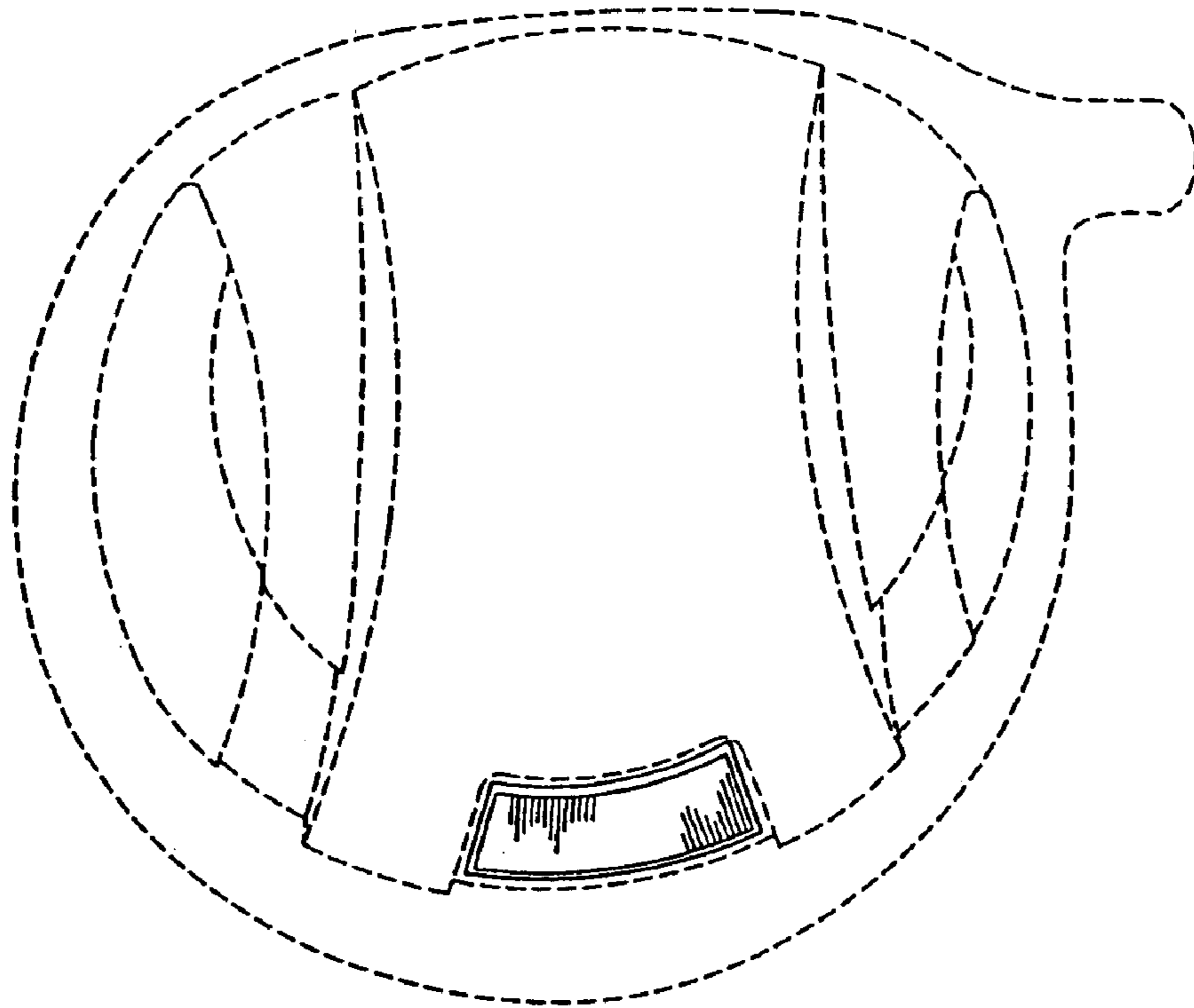


FIG. 3

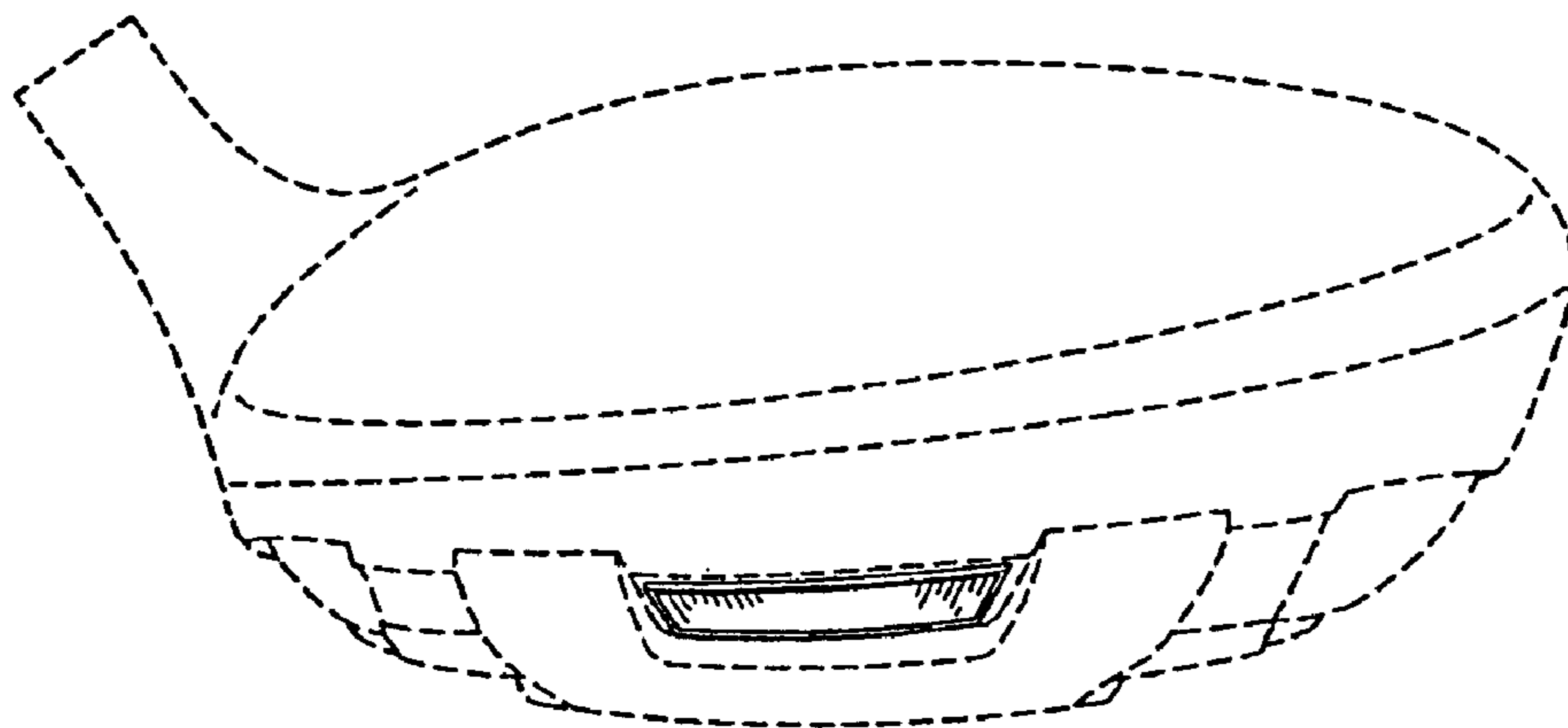


FIG. 4