

US00D562922S

(12) **United States Design Patent**  
**Bozof**

(10) **Patent No.:** **US D562,922 S**

(45) **Date of Patent:** **\*\* Feb. 26, 2008**

(54) **VIBRATION DAMPENER FOR SPORTS RACQUET**

5,944,622 A \* 8/1999 Buck et al. .... 473/437  
D420,412 S \* 2/2000 Buck et al. .... D21/755  
D539,372 S 3/2007 Do

(75) Inventor: **Morris Bozof**, Memphis, TN (US)

(73) Assignee: **CHAB Enterprises, LLC**, Memphis, TN (US)

(\*\*) Term: **14 Years**

(21) Appl. No.: **29/284,795**

(22) Filed: **Sep. 14, 2007**

**Related U.S. Application Data**

(62) Division of application No. 60/948,006, filed on Jul. 5, 2007.

(51) **LOC (8) Cl.** ..... **21-02**

(52) **U.S. Cl.** ..... **D21/753**

(58) **Field of Classification Search** ..... D21/573-755;  
473/553, 554, 461, 437, 520, 521  
See application file for complete search history.

(56) **References Cited**

**U.S. PATENT DOCUMENTS**

4,765,620	A	8/1988	James	
4,776,590	A *	10/1988	Krent et al.	473/522
4,909,509	A *	3/1990	Boschian	473/522
4,911,445	A	3/1990	Ferrari et al.	
5,096,194	A	3/1992	Yong et al.	
D331,436	S *	12/1992	Yanahara	D21/729
5,211,397	A	5/1993	Davis et al.	
D343,663	S *	1/1994	Hillock	D21/753
D368,749	S *	4/1996	Severa et al.	D21/753

**OTHER PUBLICATIONS**

Website (3 pages printed and available at least as of Oct. 10, 2007)  
[http://www.midwestsports.com/search.asp\\_Q\\_t\\_E\\_c\\_A\\_c\\_E\\_60003\\_A\\_ipp\\_E\\_1000\\_A\\_dt\\_E\\_10](http://www.midwestsports.com/search.asp_Q_t_E_c_A_c_E_60003_A_ipp_E_1000_A_dt_E_10).  
Website (4 pages printed and available at least as of Oct. 10, 2007)  
<http://www.tennisexpress.com/storeitems~cc~VIDA.htm>.

\* cited by examiner

*Primary Examiner*—Mitchell Siegel

(74) *Attorney, Agent, or Firm*—Peter L. Brewer; Baker, Donelson, Bearman, Caldwell & Berkowitz, PC

(57) **CLAIM**

I claim the ornamental design for a vibration dampener for a sports racquet, as shown and described.

**DESCRIPTION**

FIG. 1 is a side view of the vibration dampener for sports racquet;

FIG. 2 is a top plan view thereof;

FIG. 3 is a perspective view thereof;

FIG. 4 is a bottom plan view thereof;

FIG. 5 is a side view thereof, opposite of that disclosed in FIG. 1;

FIG. 6 is an end view of FIG. 1; and,

FIG. 7 is an end view of FIG. 1, opposite of that disclosed in FIG. 6.

**1 Claim, 2 Drawing Sheets**

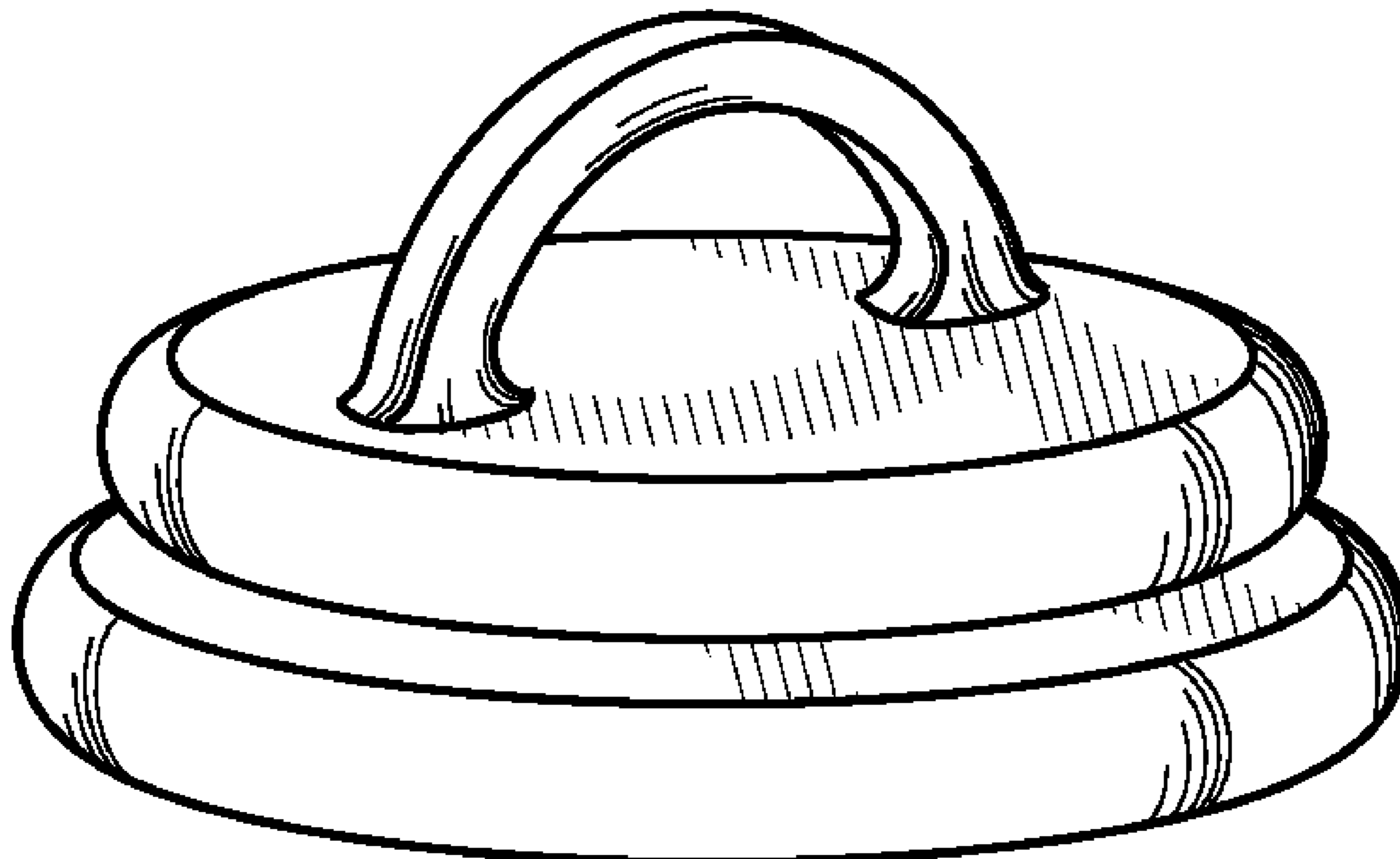


Fig. 1

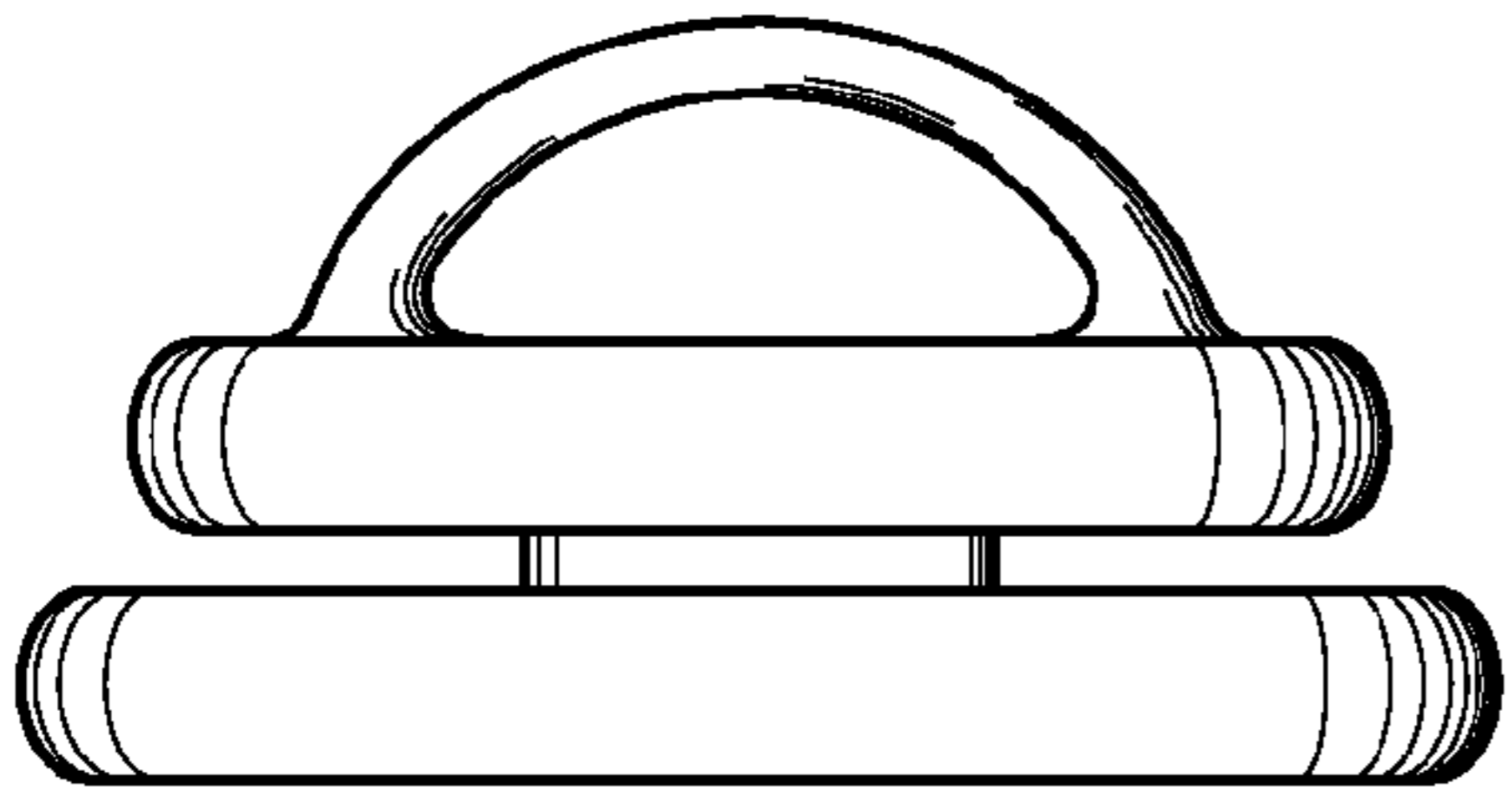


Fig. 2

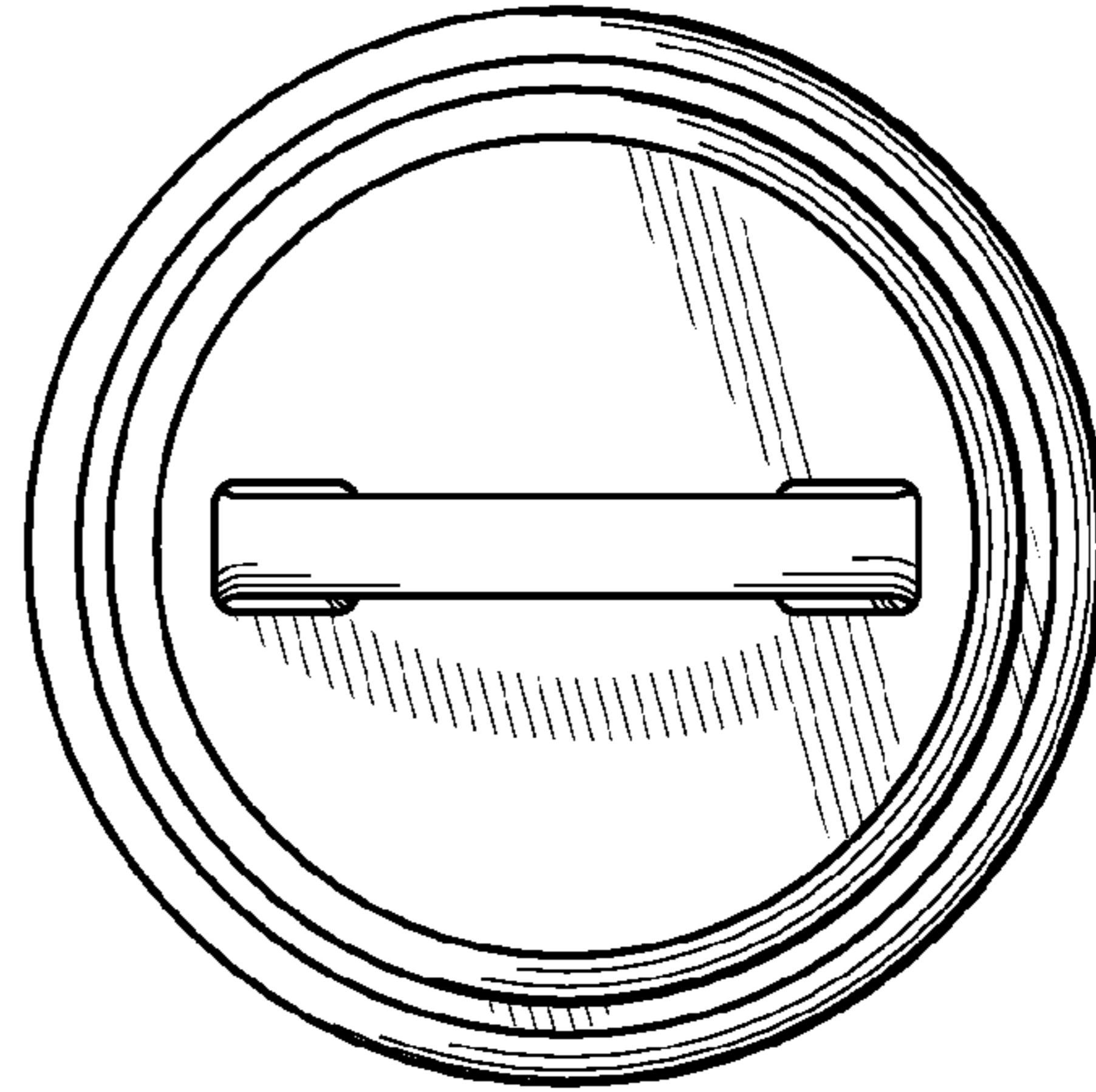


Fig. 3

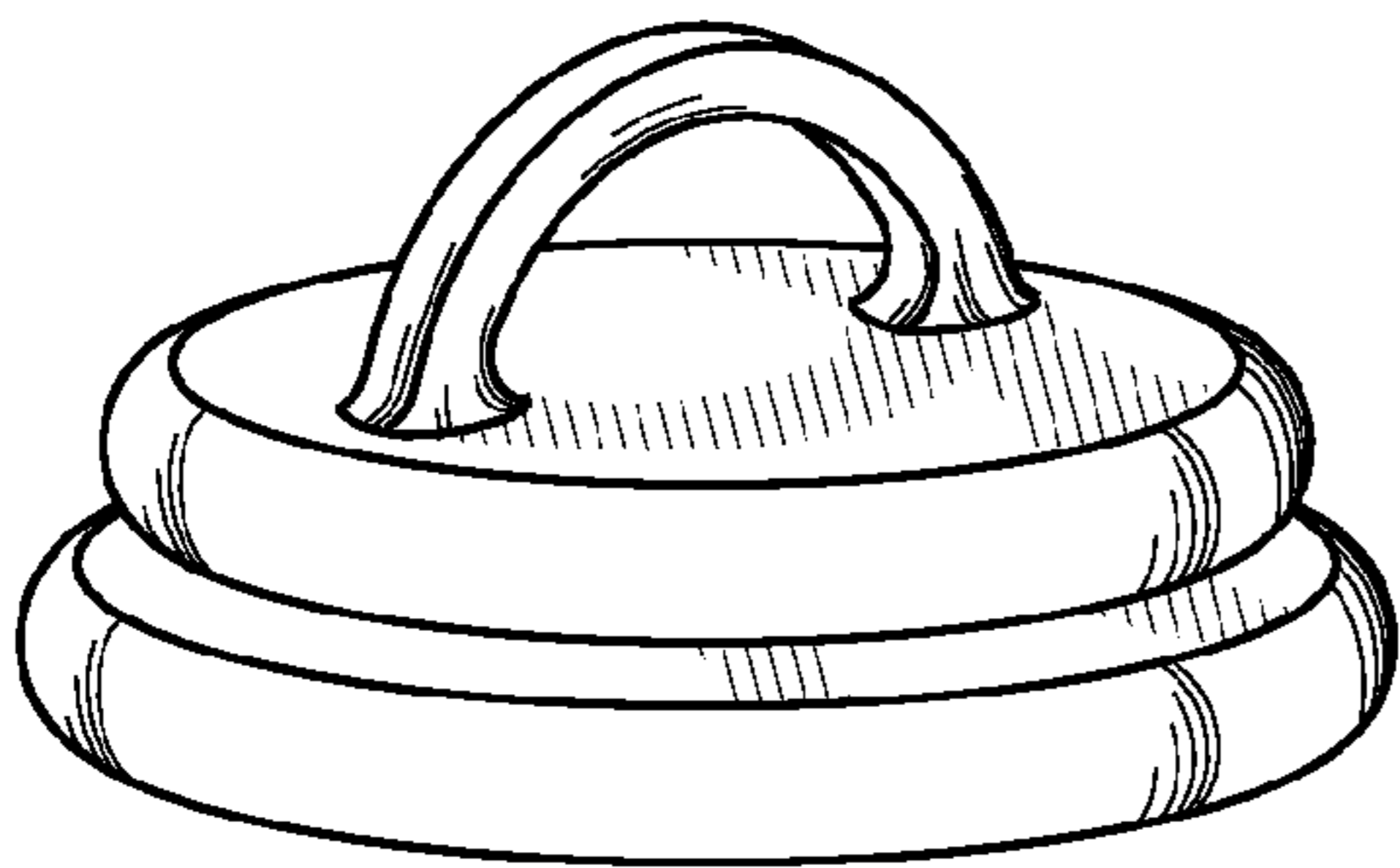


Fig. 4

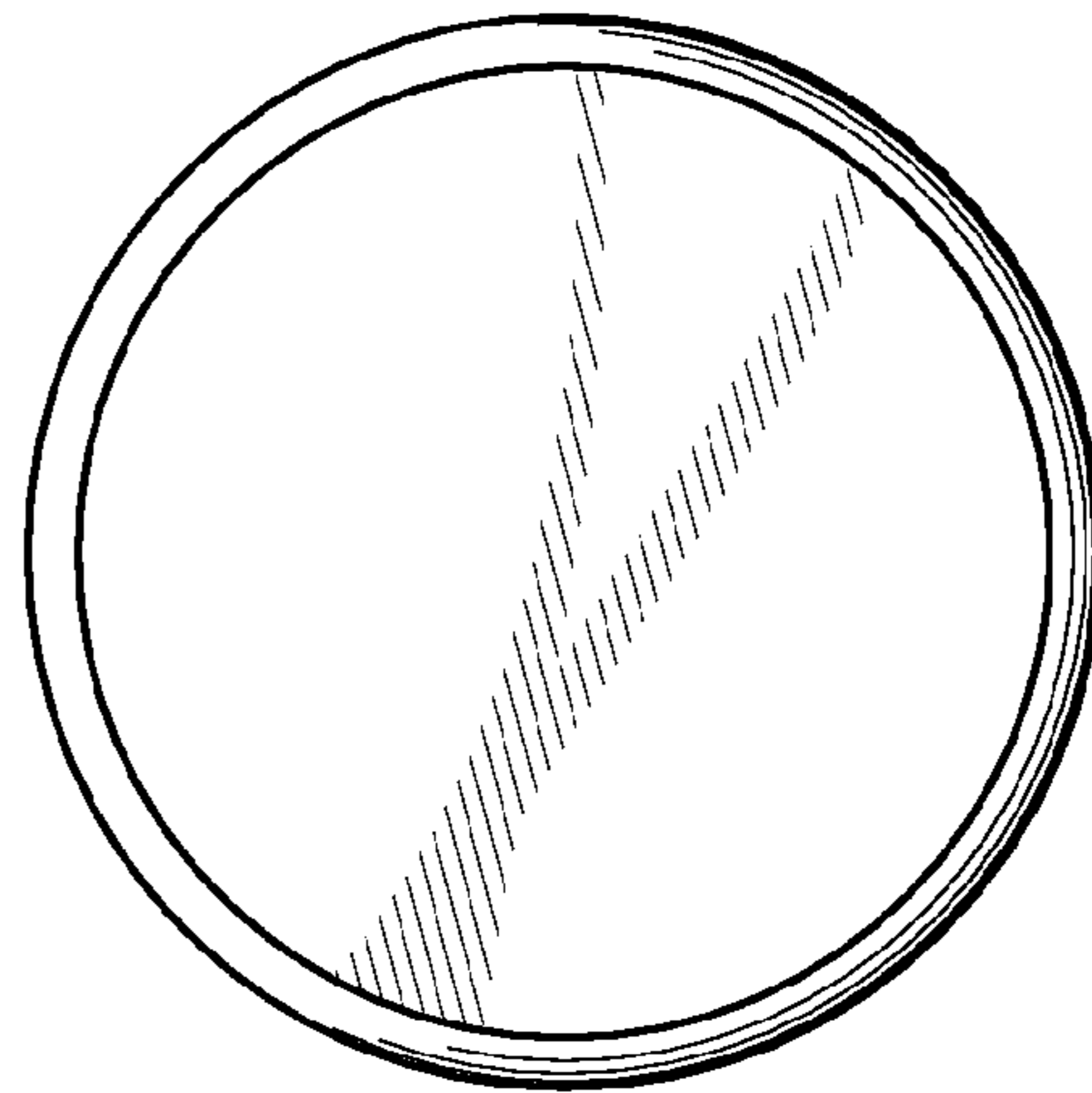


Fig. 5

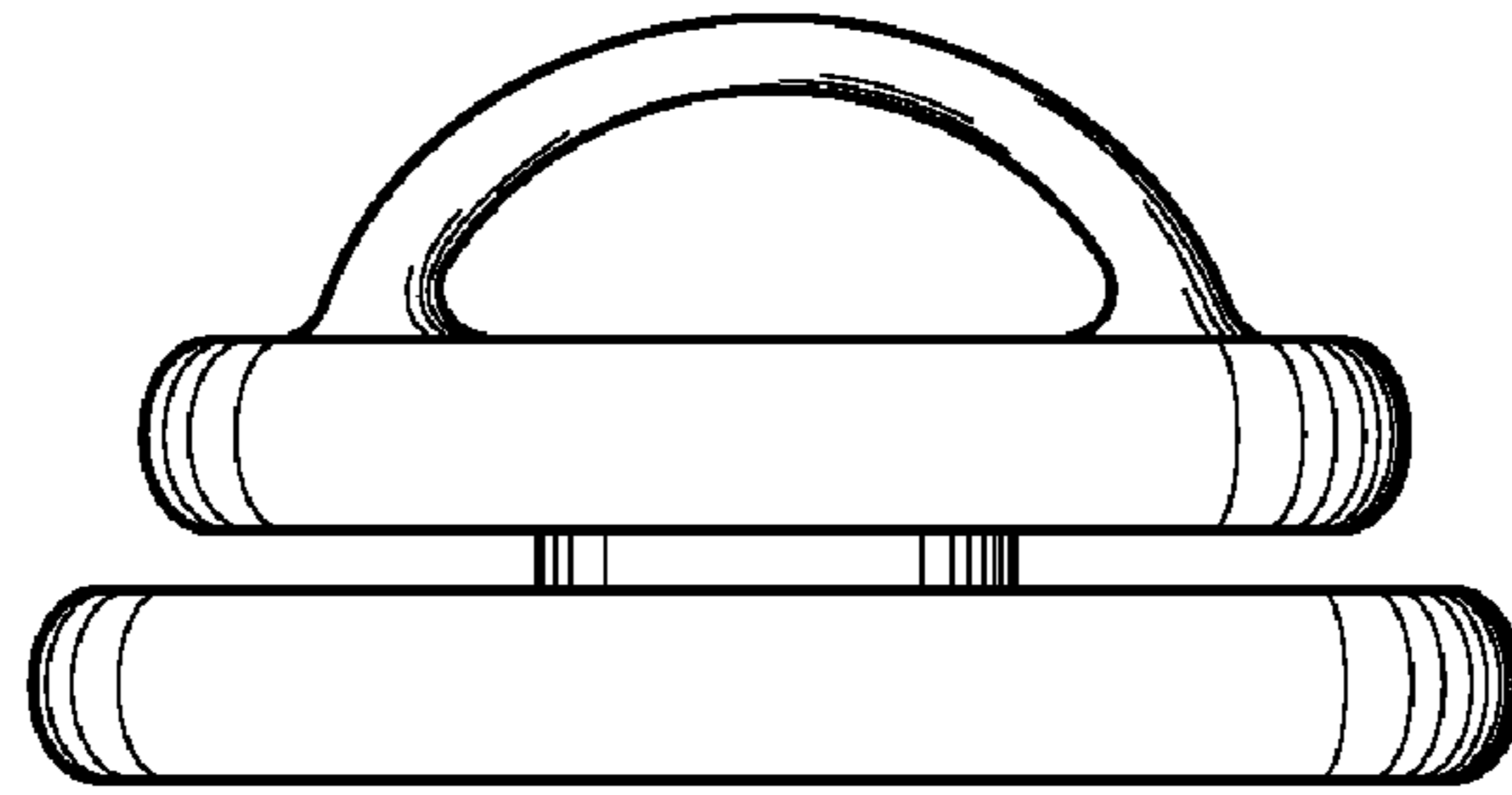


Fig. 6

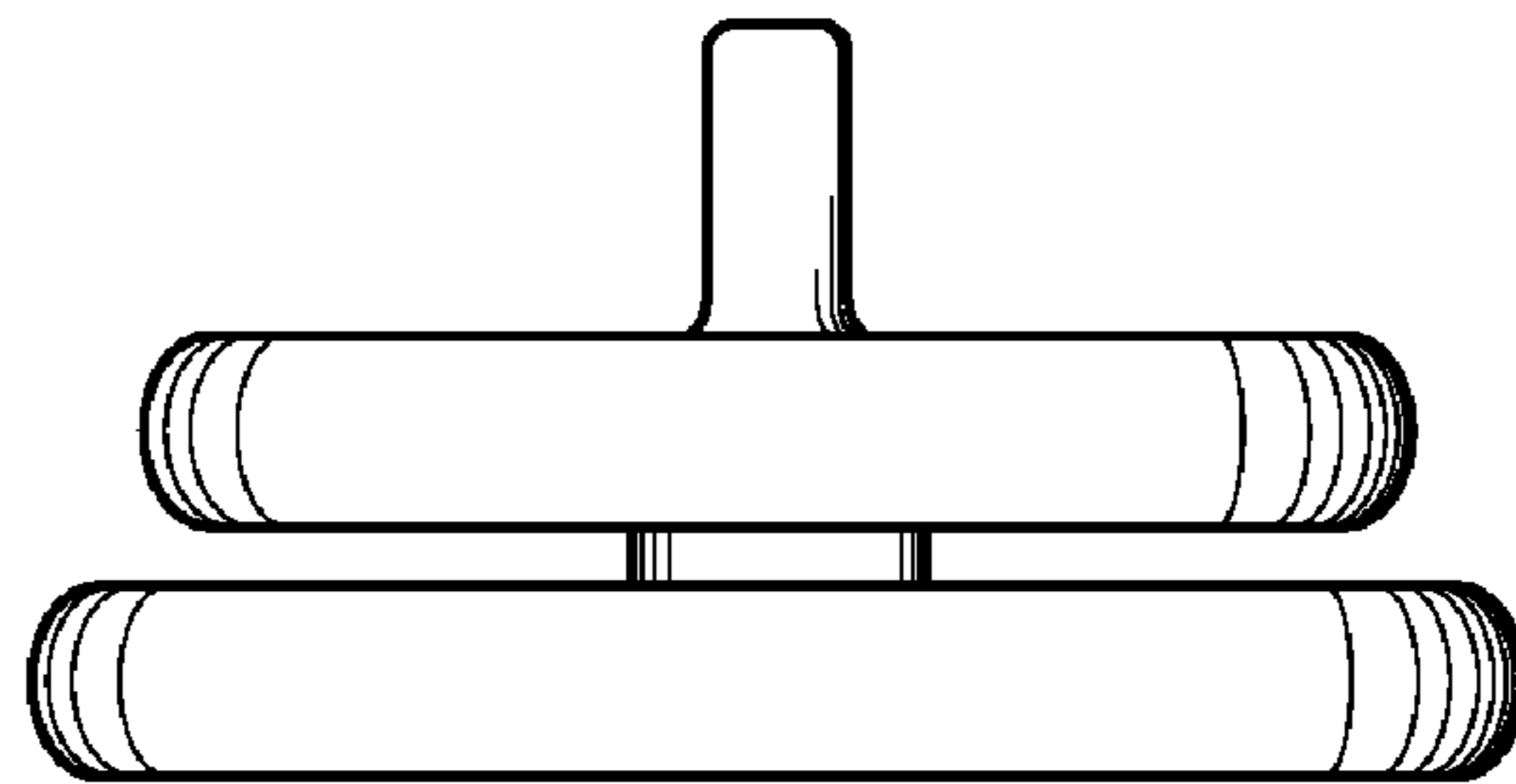


Fig. 7

