

US00D562919S

(12) **United States Design Patent**  
**Hillson**

(10) **Patent No.:** **US D562,919 S**

(45) **Date of Patent:** **\*\* Feb. 26, 2008**

(54) **WEIGHTLIFTING PLATE**

(75) **Inventor:** **Nicholas Andrew Hillson,**  
Peterborough (GB)

(73) **Assignee:** **Escape Fitness Limited,** Peterborough,  
Cambridgeshire (GB)

(\*\*) **Term:** **14 Years**

(21) **Appl. No.:** **29/256,266**

(22) **Filed:** **Mar. 17, 2006**

(51) **LOC (8) Cl.** ..... **21-02**

(52) **U.S. Cl.** ..... **D21/680**

(58) **Field of Classification Search** ..... D21/662,  
D21/679, 680, 681, 682, 683, 684; 482/104,  
482/105, 106, 108, 109

See application file for complete search history.

(56) **References Cited**

**U.S. PATENT DOCUMENTS**

D355,007 S *	1/1995	Rojas et al.	.....	D21/681
D406,183 S *	2/1999	Zovich	.....	D21/680
D421,076 S *	2/2000	Lincir	.....	D21/681
D434,090 S *	11/2000	Wallace et al.	.....	D21/680
D439,290 S *	3/2001	Rojas et al.	.....	D21/681
D442,654 S *	5/2001	Buchanan	.....	D21/680
D445,153 S *	7/2001	Lincir	.....	D21/680
D446,265 S *	8/2001	Lincir	.....	D21/680
D446,559 S *	8/2001	Lincir	.....	D21/681
D448,055 S *	9/2001	Lien et al.	.....	D21/681
D451,159 S *	11/2001	Rojas et al.	.....	D21/680
D451,160 S *	11/2001	Rojas et al.	.....	D21/680

D451,167 S *	11/2001	Metteer	.....	D22/149
D463,001 S *	9/2002	Buchanan	.....	D21/680
D474,517 S *	5/2003	Harms	.....	D21/681
D476,383 S *	6/2003	Chen	.....	D21/681
D483,083 S *	12/2003	Allshouse et al.	.....	D21/680
6,702,723 B2 *	3/2004	Landfair	.....	482/93
6,991,590 B2 *	1/2006	Vigiano	.....	482/106
D516,083 S *	2/2006	Kataoka	.....	D14/496

**OTHER PUBLICATIONS**

Printout from google search for Olympic weight.\*  
Printout from search of BigFitness websight, Olympic weight sets.\*  
Printouts from Fitness Giant.com websight, Weight sets.\*

\* cited by examiner

*Primary Examiner*—Philip S. Hyder

(74) *Attorney, Agent, or Firm*—Richard M. Goldberg

(57) **CLAIM**

The ornamental design for the weightlifting plate, as shown and described.

**DESCRIPTION**

FIG. 1 is a perspective view of a weightlifting plate of my design;

FIG. 2 is a top plan view thereof, which is a mirror image of the bottom plan view;

FIG. 3 is a front elevational view thereof, which is a mirror image of the rear elevational view; and,

FIG. 4 is a left side elevational view thereof, which is a mirror image of the right side elevational view.

**1 Claim, 4 Drawing Sheets**

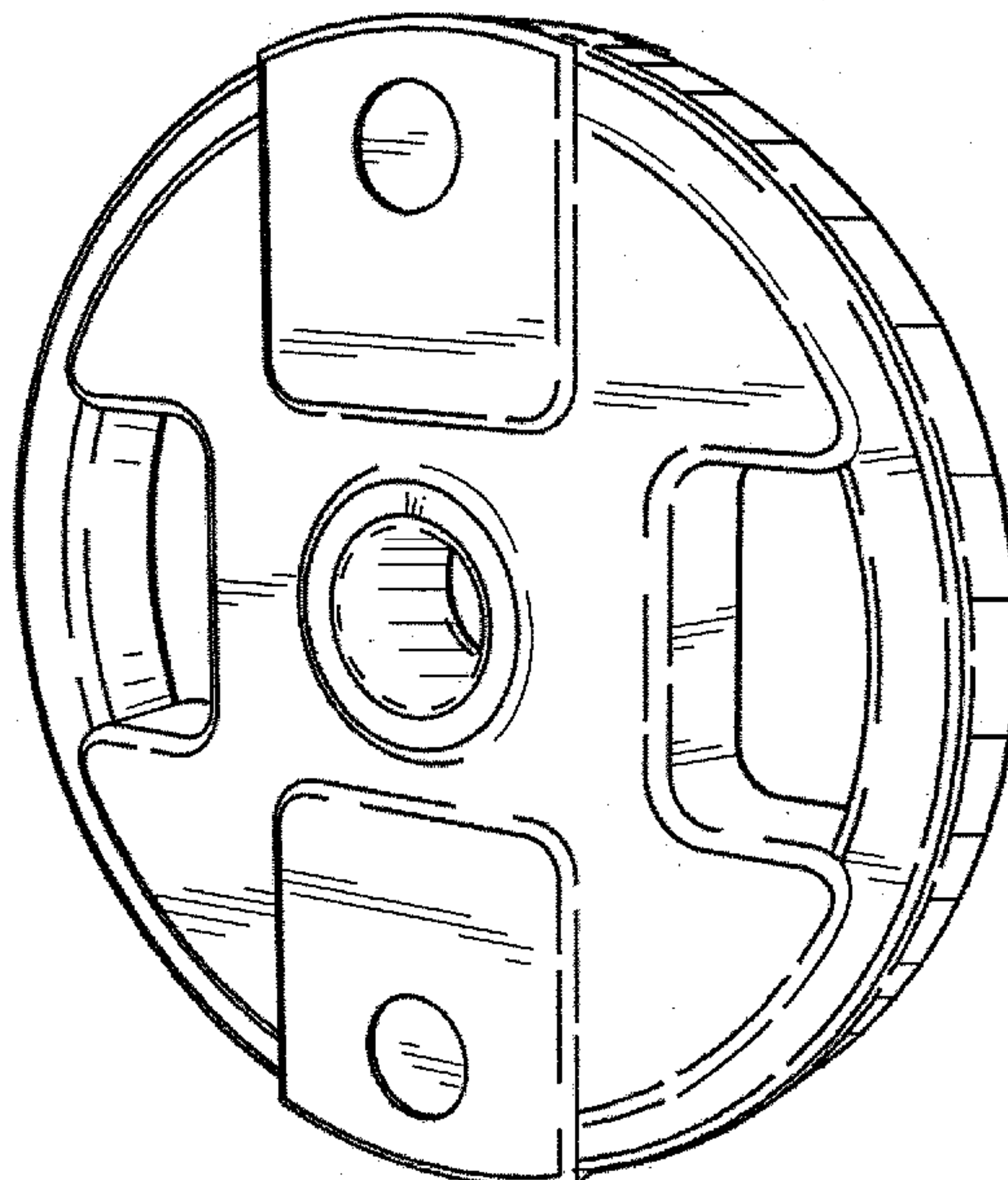


FIG. 1

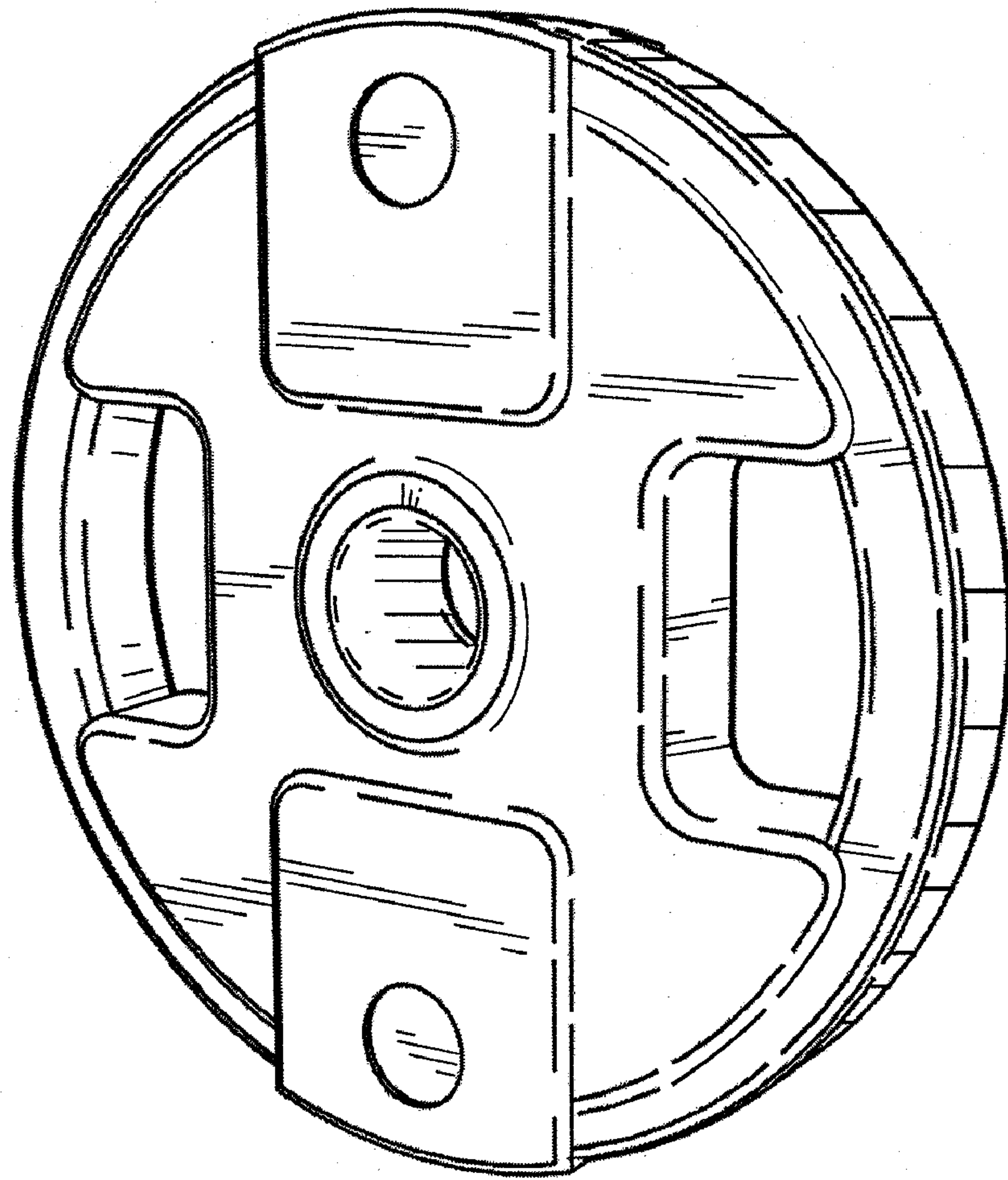


FIG. 2

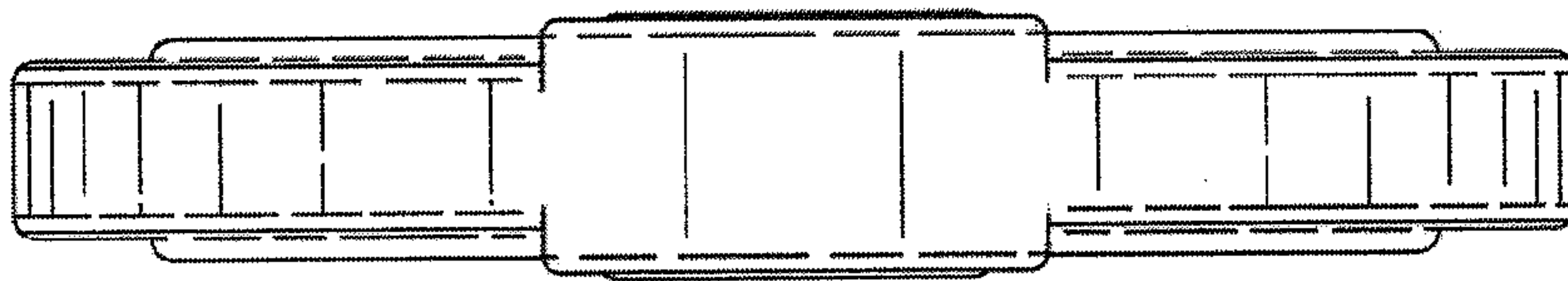


FIG. 3

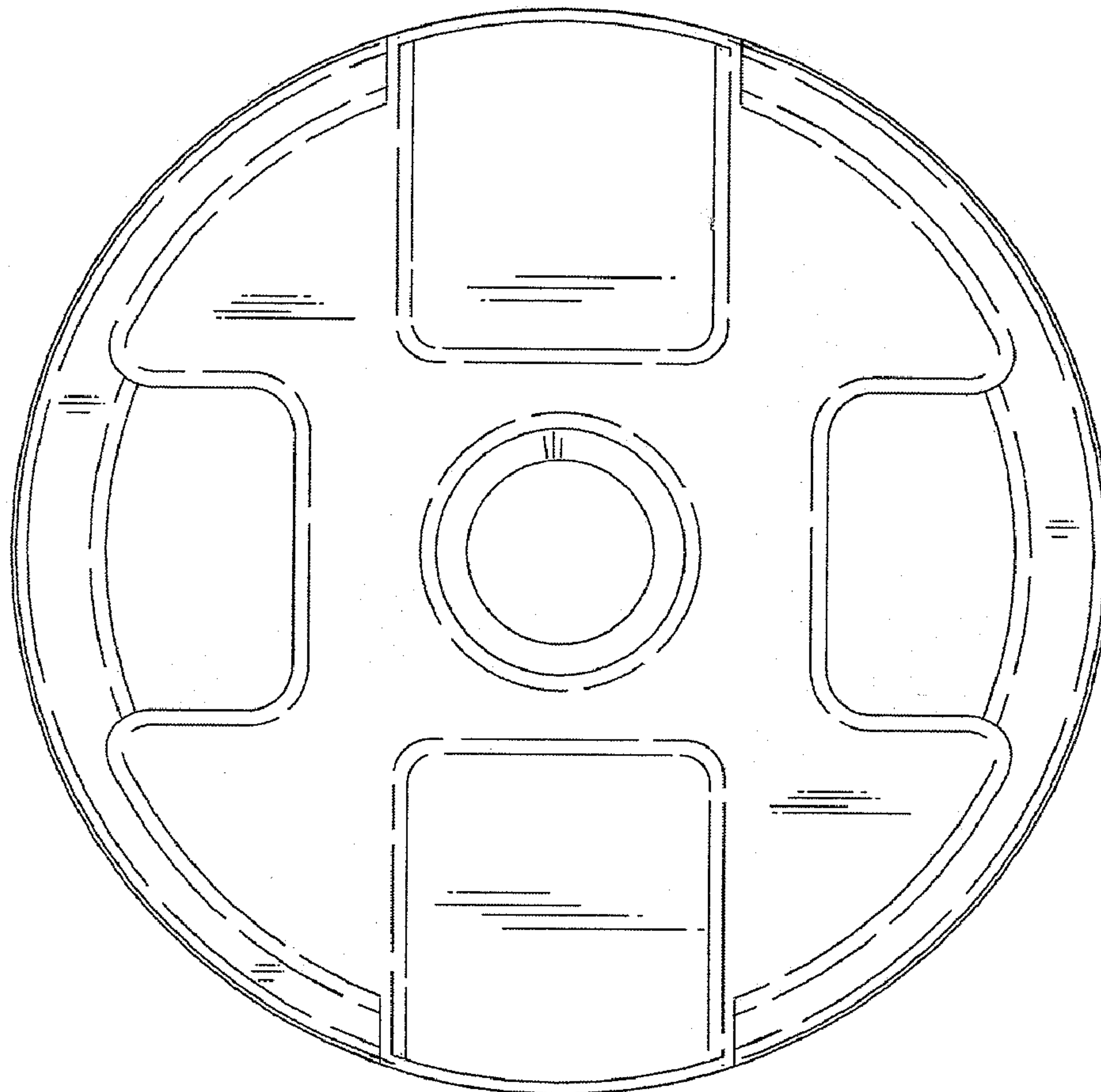


FIG. 4

