



US00D562916S

(12) **United States Design Patent**
Laurienzo

(10) **Patent No.:** **US D562,916 S**

(45) **Date of Patent:** **** *Feb. 26, 2008**

(54) **REMOTE-CONTROLLED VEHICLE WITH
DETACHABLY ATTACHABLE WHEELS**

(76) Inventor: **Dominic Laurienzo**, 3915 Scandia
Way, Los Angeles, CA (US) 90065

(*) Notice: This patent is subject to a terminal dis-
claimer.

(**) Term: **14 Years**

(21) Appl. No.: **29/239,512**

(22) Filed: **Sep. 29, 2005**

(51) **LOC (8) Cl.** **21-01**

(52) **U.S. Cl.** **D21/533**

(58) **Field of Classification Search** D21/533,
D21/538, 548, 549, 550, 558, 560, 580, 581,
D21/579, 584, 582; 446/440, 448, 451, 454,
446/465, 437, 438, 427, 456, 470
See application file for complete search history.

(56) **References Cited**

U.S. PATENT DOCUMENTS

3,733,739 A	5/1973	Terzian
3,742,507 A	6/1973	Pirre
3,748,780 A	7/1973	Glass et al.
4,193,597 A	3/1980	Ogawa
4,299,301 A	11/1981	Janin
4,547,166 A	10/1985	Goldfarb et al.
4,693,696 A	9/1987	Buck
4,696,655 A	9/1987	D'Andrade et al.
4,717,367 A	1/1988	Stubenfohl et al.
4,732,569 A	3/1988	Hippely et al.
4,832,651 A	5/1989	Buck
5,322,469 A	6/1994	Tilbor
5,338,247 A	8/1994	Miles
5,380,231 A	1/1995	Brovelli
5,643,036 A	7/1997	Liu et al.
5,643,041 A	7/1997	Mukaida
5,667,420 A	9/1997	Menow et al.

5,667,421 A	9/1997	Uetake
5,752,871 A	5/1998	Tsuzuki
5,803,790 A *	9/1998	Tilbor et al. 446/470
5,860,846 A	1/1999	Uetake
5,919,075 A	7/1999	George et al.
5,921,843 A	7/1999	Skrivan et al.
5,951,363 A	9/1999	Uetake
6,193,582 B1	2/2001	Gleim
6,227,934 B1 *	5/2001	Isaksson et al. 446/470
6,439,948 B1 *	8/2002	Ostendorff et al. 446/154
6,475,059 B1 *	11/2002	Lee 446/454
6,648,722 B2 *	11/2003	Lynders et al. 446/437
6,764,374 B2 *	7/2004	Tilbor et al. 446/233
6,939,197 B1 *	9/2005	Hoeting 446/437
7,033,241 B2	4/2006	Lee et al.

FOREIGN PATENT DOCUMENTS

WO WO 00/07681 2/2000

* cited by examiner

Primary Examiner—Philip S. Hyder
(74) *Attorney, Agent, or Firm*—Tope-McKay & Associates

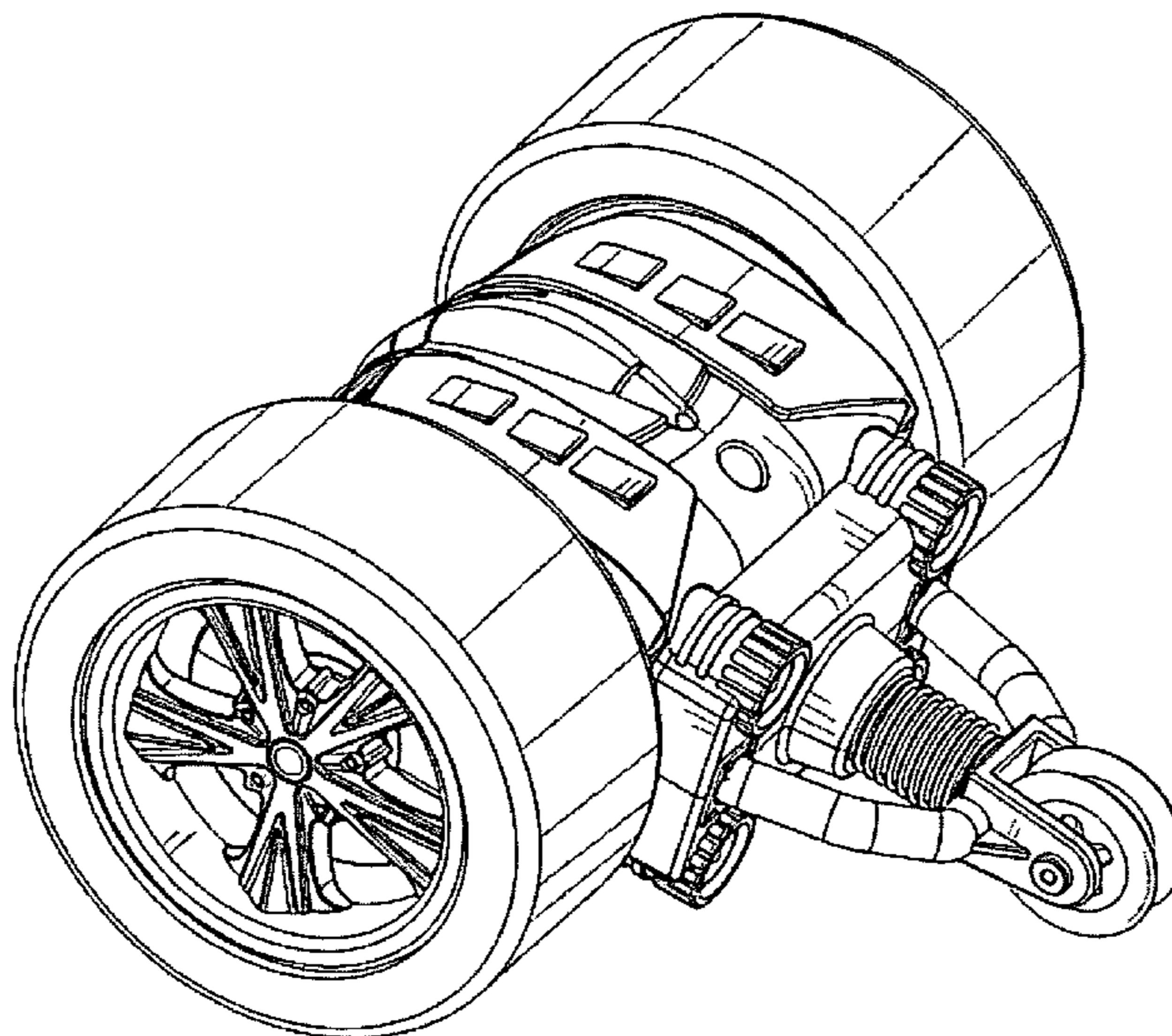
(57) **CLAIM**

The ornamental design for a remote-controlled vehicle with detachably attachable wheels, as shown.

DESCRIPTION

FIG. 1 is a front perspective view of a remote-controlled vehicle with detachably attachable wheels;
FIG. 2 is a front orthogonal view thereof;
FIG. 3 is a back orthogonal view thereof;
FIG. 4 is a right orthogonal view thereof;
FIG. 5 is a left orthogonal view thereof;
FIG. 6 is a top orthogonal view thereof; and,
FIG. 7 is a bottom orthogonal view thereof.

1 Claim, 7 Drawing Sheets



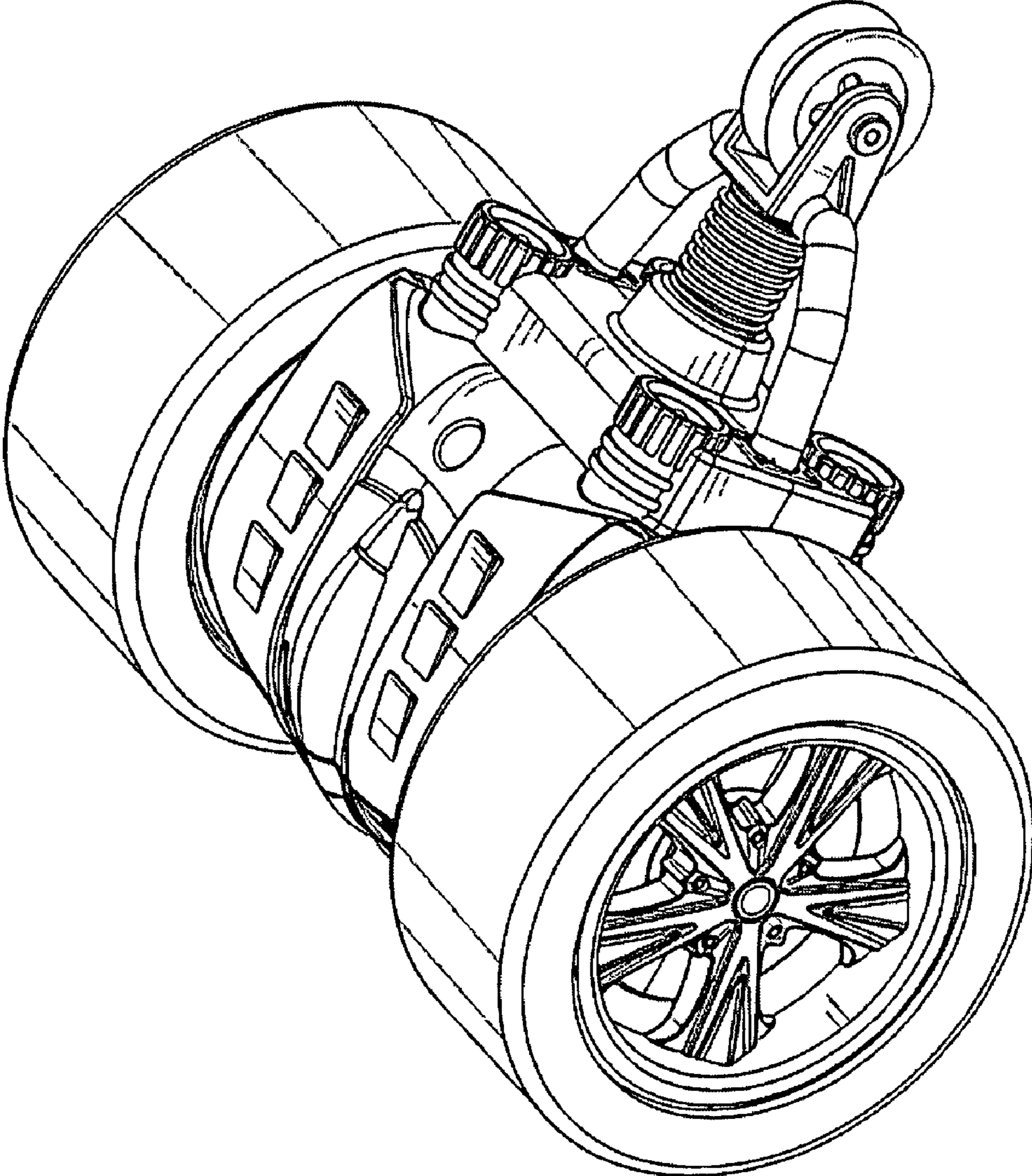


FIG. 1

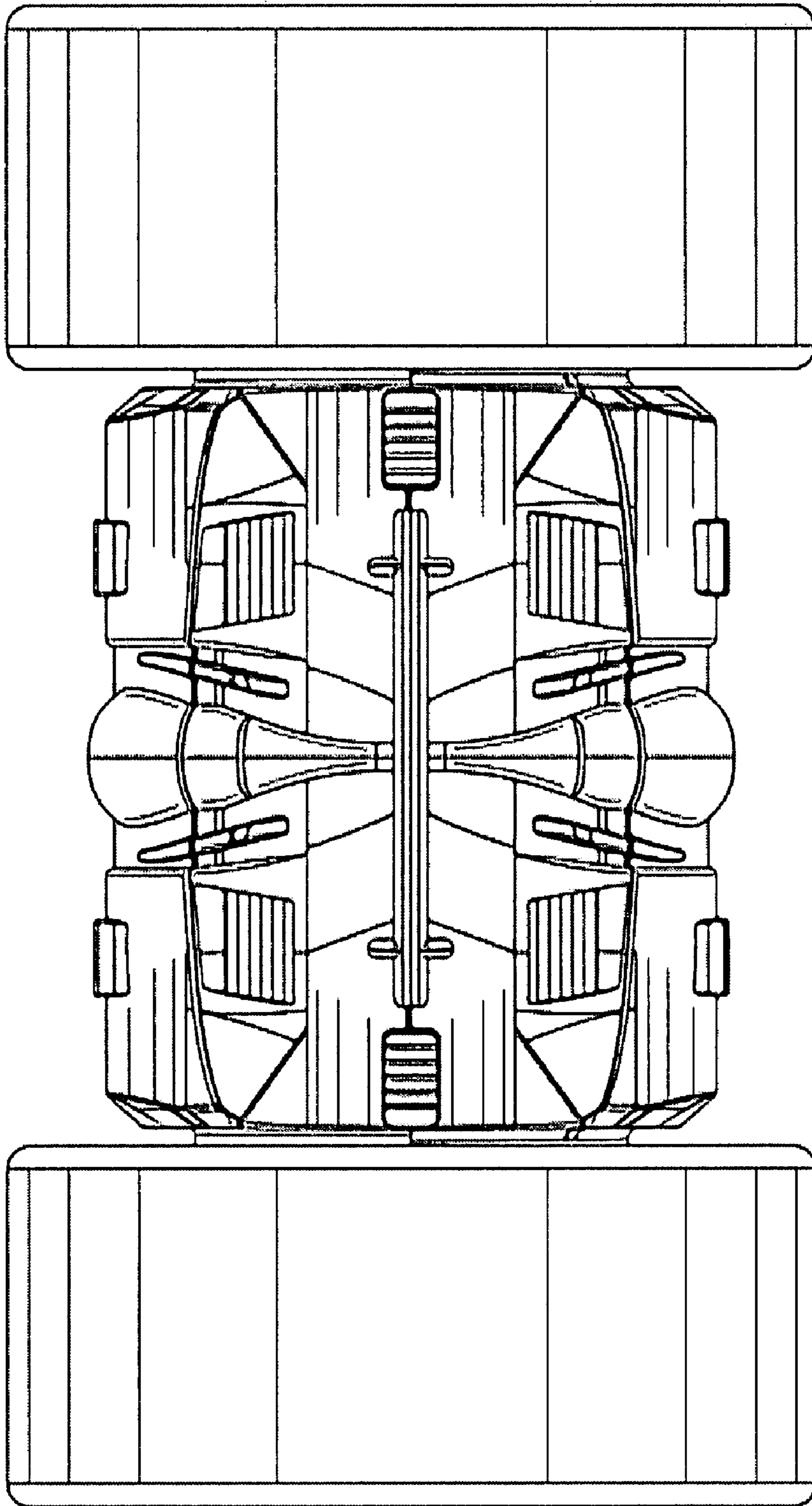


FIG. 2

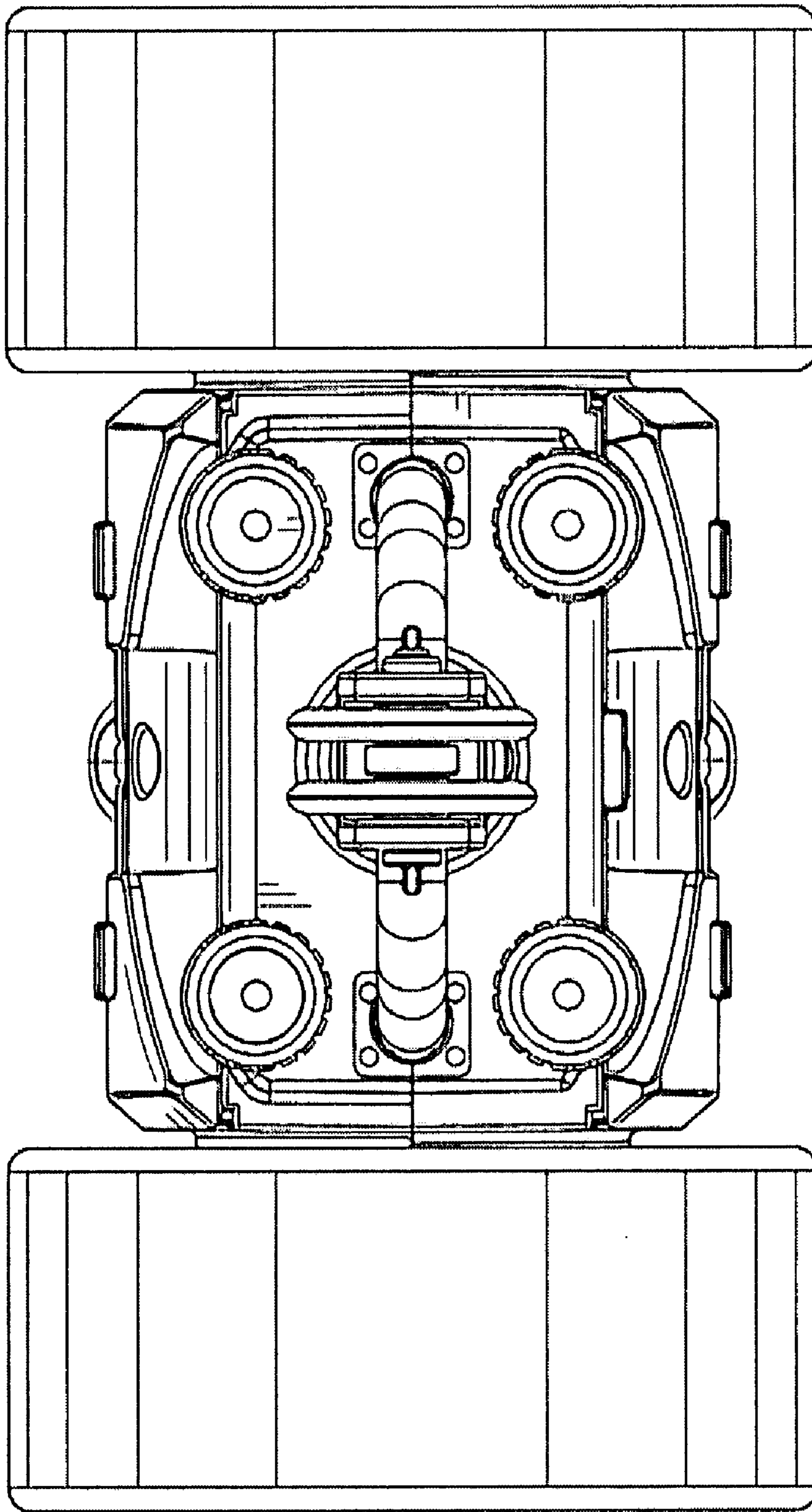


FIG. 3

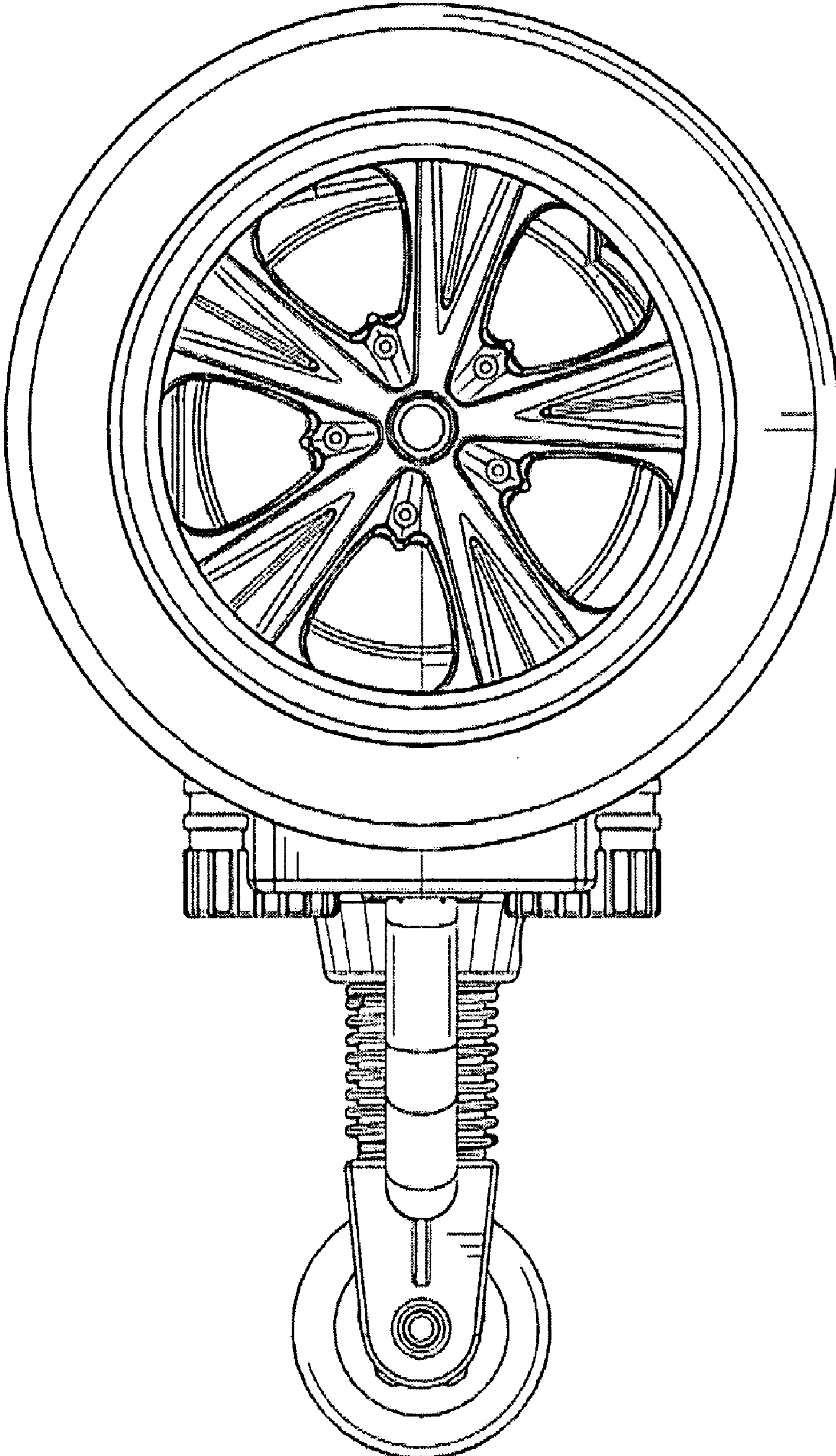


FIG. 4

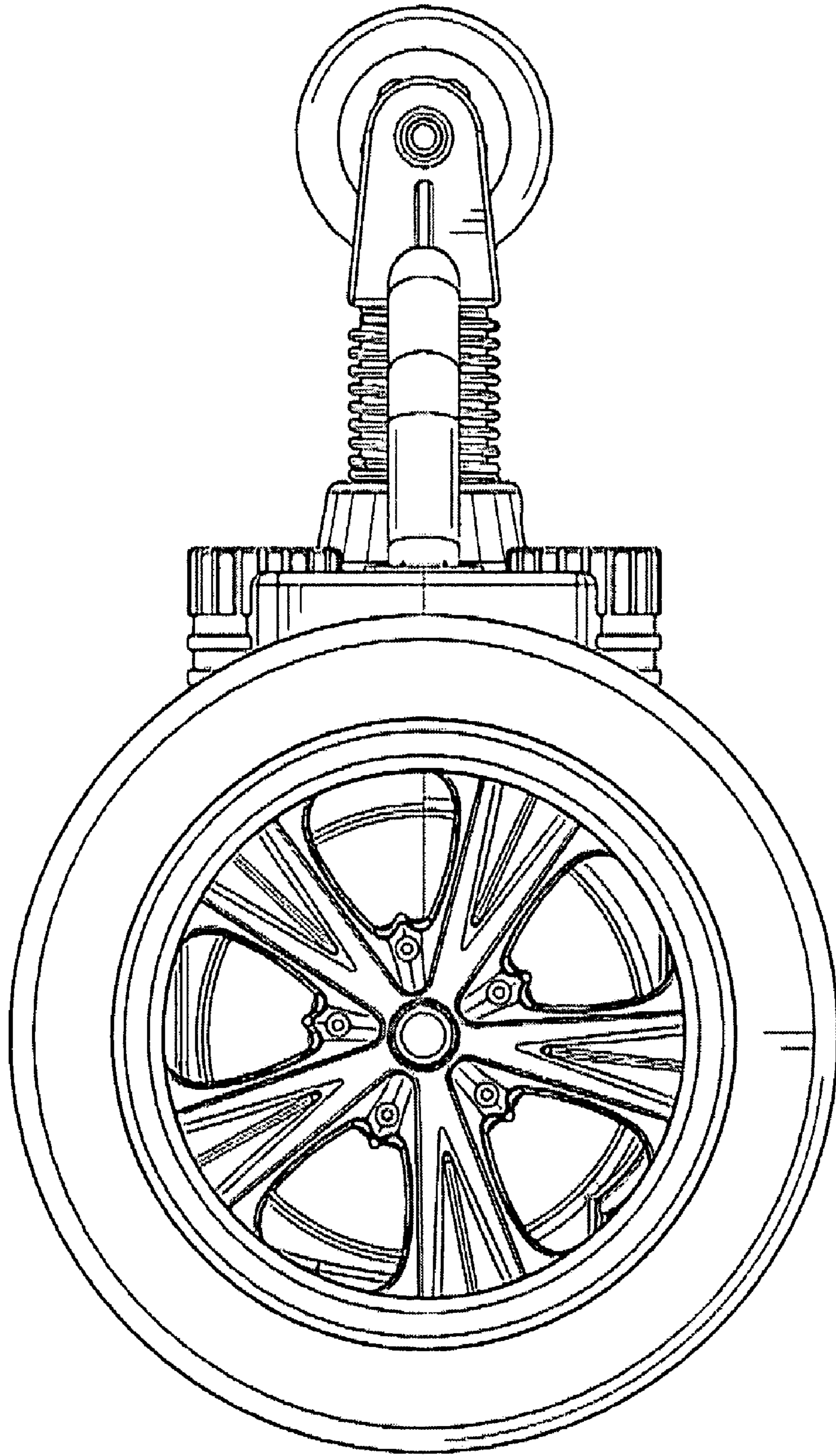


FIG. 5

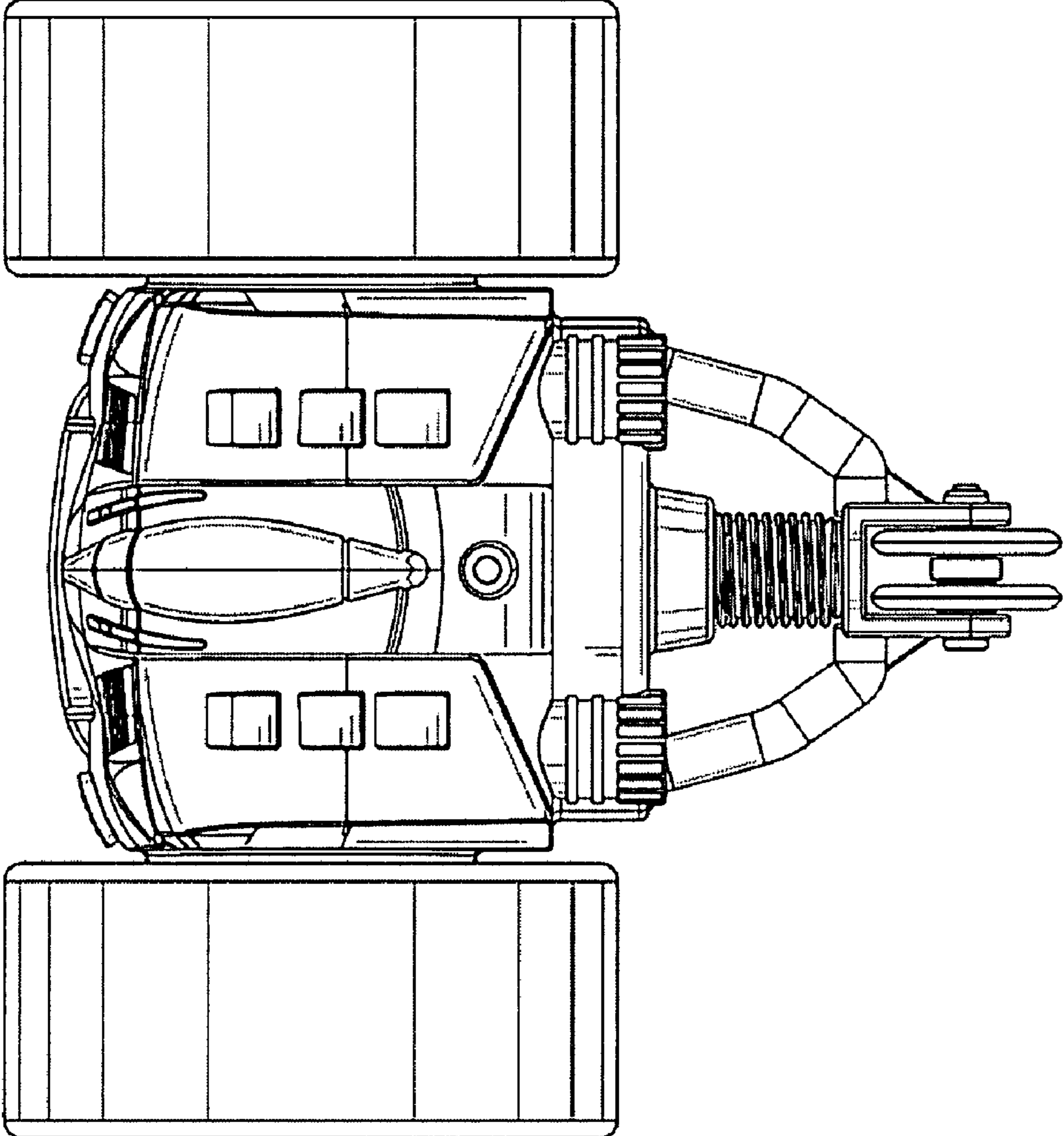


FIG. 6

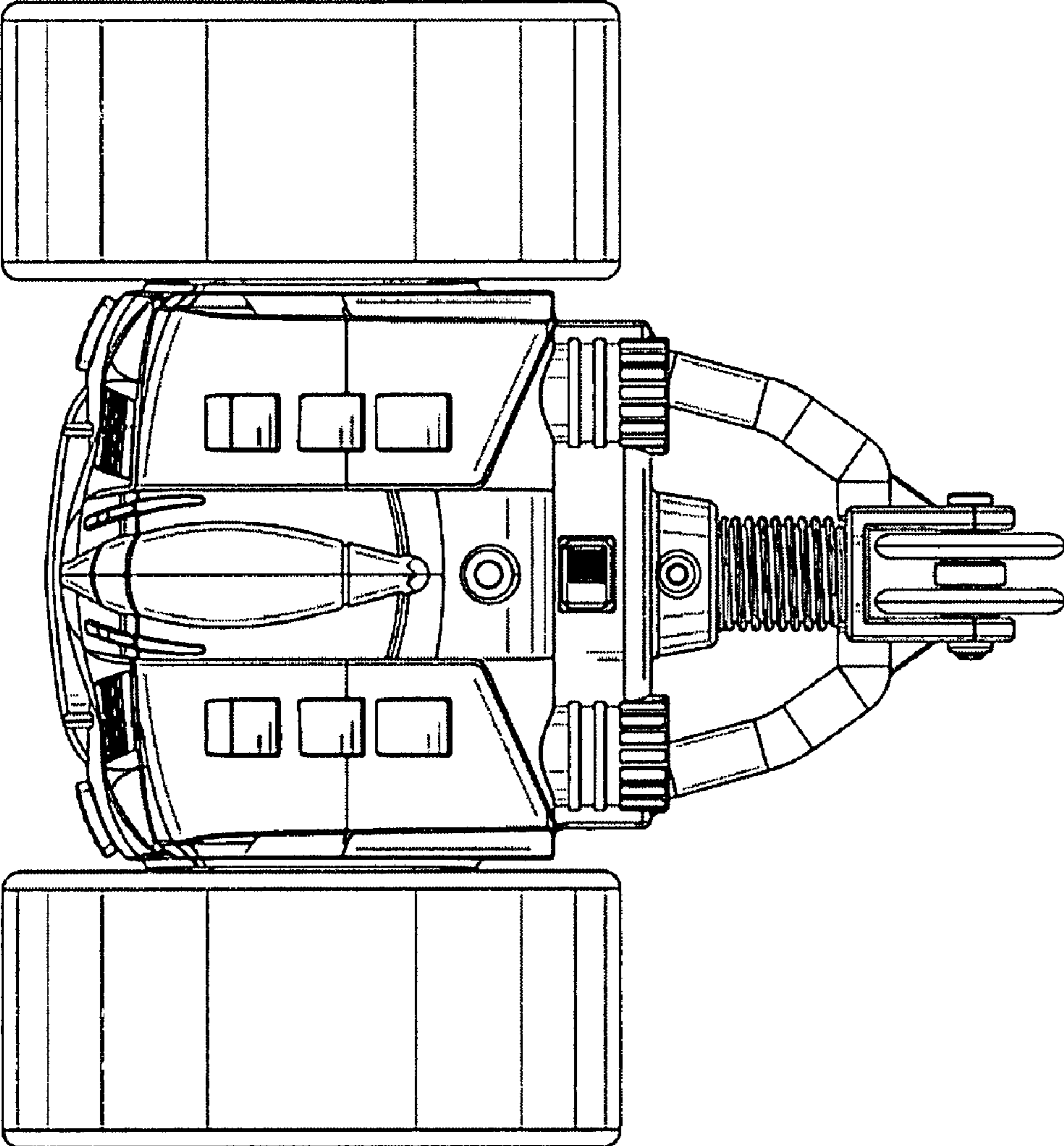


FIG. 7