



US00D562915S

(12) **United States Design Patent**  
**Davis**

(10) **Patent No.:** **US D562,915 S**  
(45) **Date of Patent:** **\*\* Feb. 26, 2008**

(54) **PUZZLE**

(76) Inventor: **Warner A. Davis**, 1227 Blevins Gap Rd., Southeast, Huntsville, AL (US) 35802-2700

(\*\*) Term: **14 Years**

(21) Appl. No.: **29/274,838**

(22) Filed: **May 31, 2007**

(51) **LOC (8) Cl.** ..... **21-01**

(52) **U.S. Cl.** ..... **D21/478**

(58) **Field of Classification Search** ..... D21/310, D21/337, 470, 478, 479, 505; D19/59, 62, D19/64; 273/153 R, 156, 157 R, 153 P, 273/402, 287, 241, 440, 441, 447, 457, DIG. 14, 273/113-116; 446/75, 267; 434/128, 211, 434/258, 259, 370, 393, 403, 407  
See application file for complete search history.

(56) **References Cited**

**U.S. PATENT DOCUMENTS**

328,766 A	10/1885	Dewey	
2,542,948 A	2/1951	Scherf	
2,871,018 A	1/1959	Fink	
3,173,218 A *	3/1965	McAlister, Jr.	434/211
3,804,414 A *	4/1974	Taylor	273/113
3,840,234 A *	10/1974	Felsten	273/113
4,162,581 A	7/1979	O'Connor	

4,163,560 A	8/1979	Solomon	
D272,841 S *	2/1984	Matsumoto	D21/478
D348,124 S	6/1994	O'Rourke et al.	
D380,240 S	6/1997	Johnson, Jr.	
D482,080 S	11/2003	Godin	

\* cited by examiner

*Primary Examiner*—Catherine Tuttle

(74) *Attorney, Agent, or Firm*—Stephen R. Greiner

(57) **CLAIM**

The ornamental design for a puzzle, as shown and described.

**DESCRIPTION**

FIG. 1 is a perspective view of a puzzle showing my new design;

FIG. 2 is a top view thereof;

FIG. 3 is a right side elevational view with the left side being a mirror image thereof;

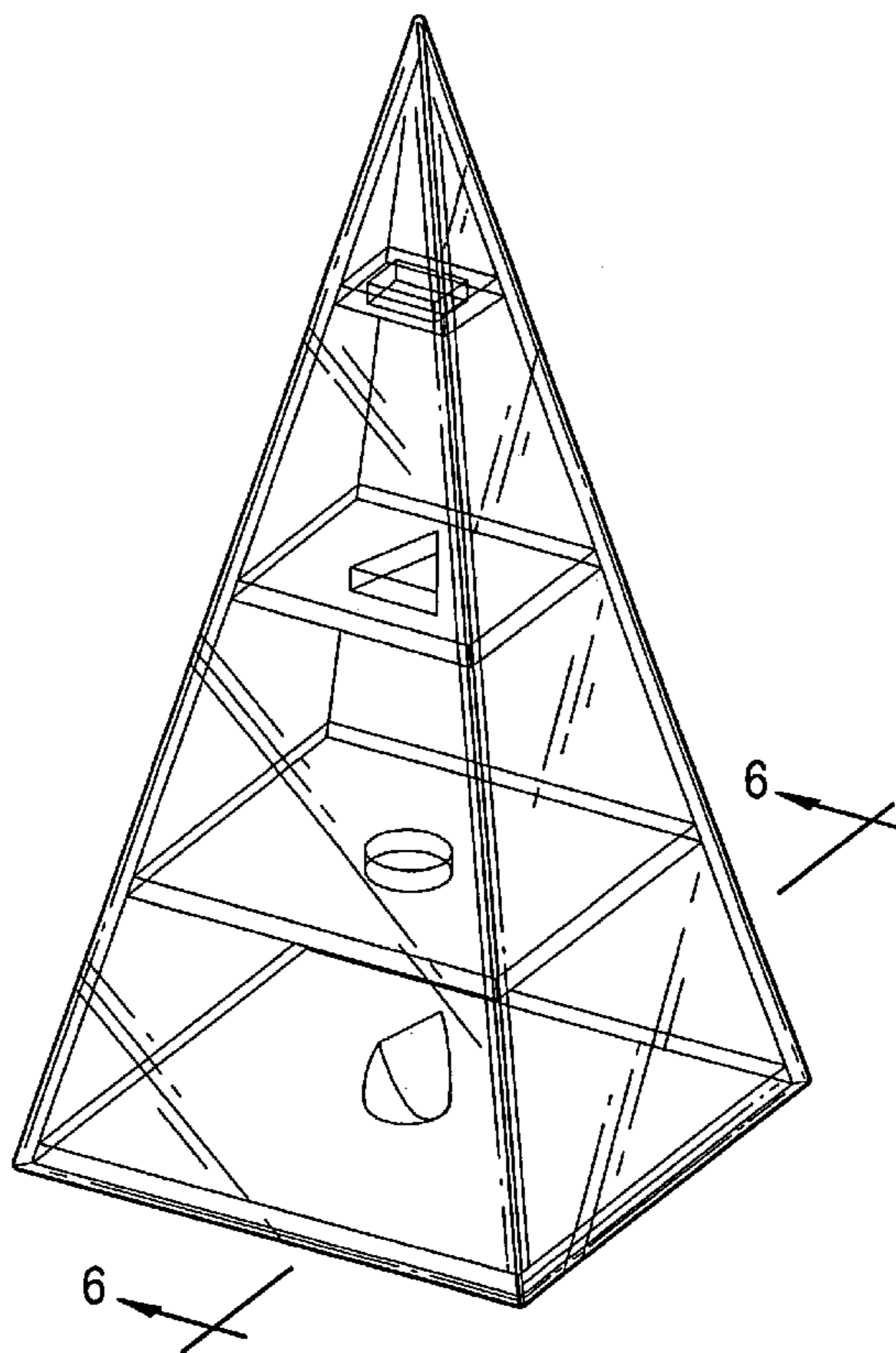
FIG. 4 is a bottom view thereof;

FIG. 5 is a front elevational view with the rear elevation being a mirror image thereof;

FIG. 6 is a cross-sectional view thereof taken along line 6—6 of FIG. 1; and,

FIG. 7 is a perspective view thereof with portions broken away to clarify interior details.

**1 Claim, 5 Drawing Sheets**



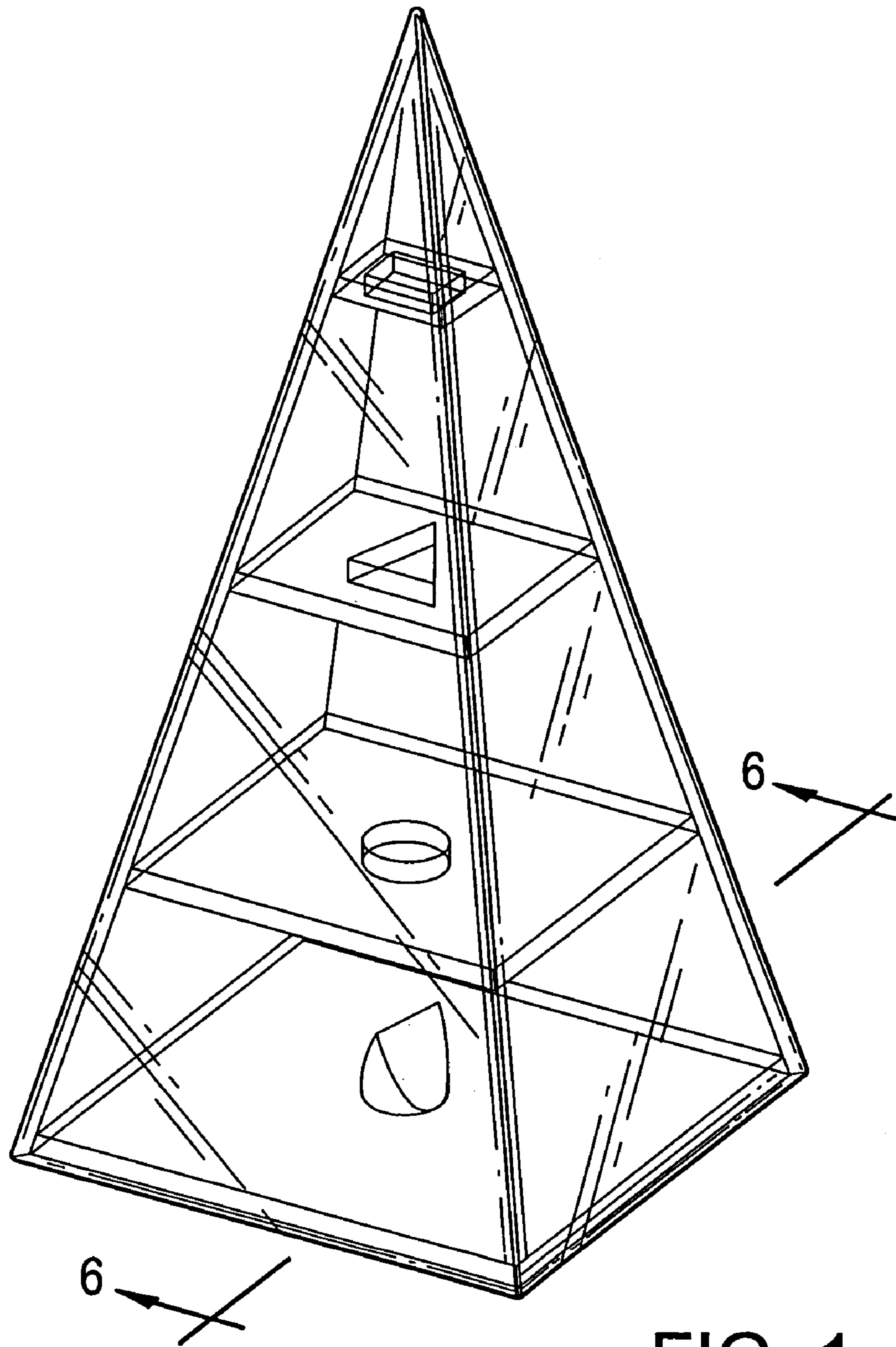


FIG. 1

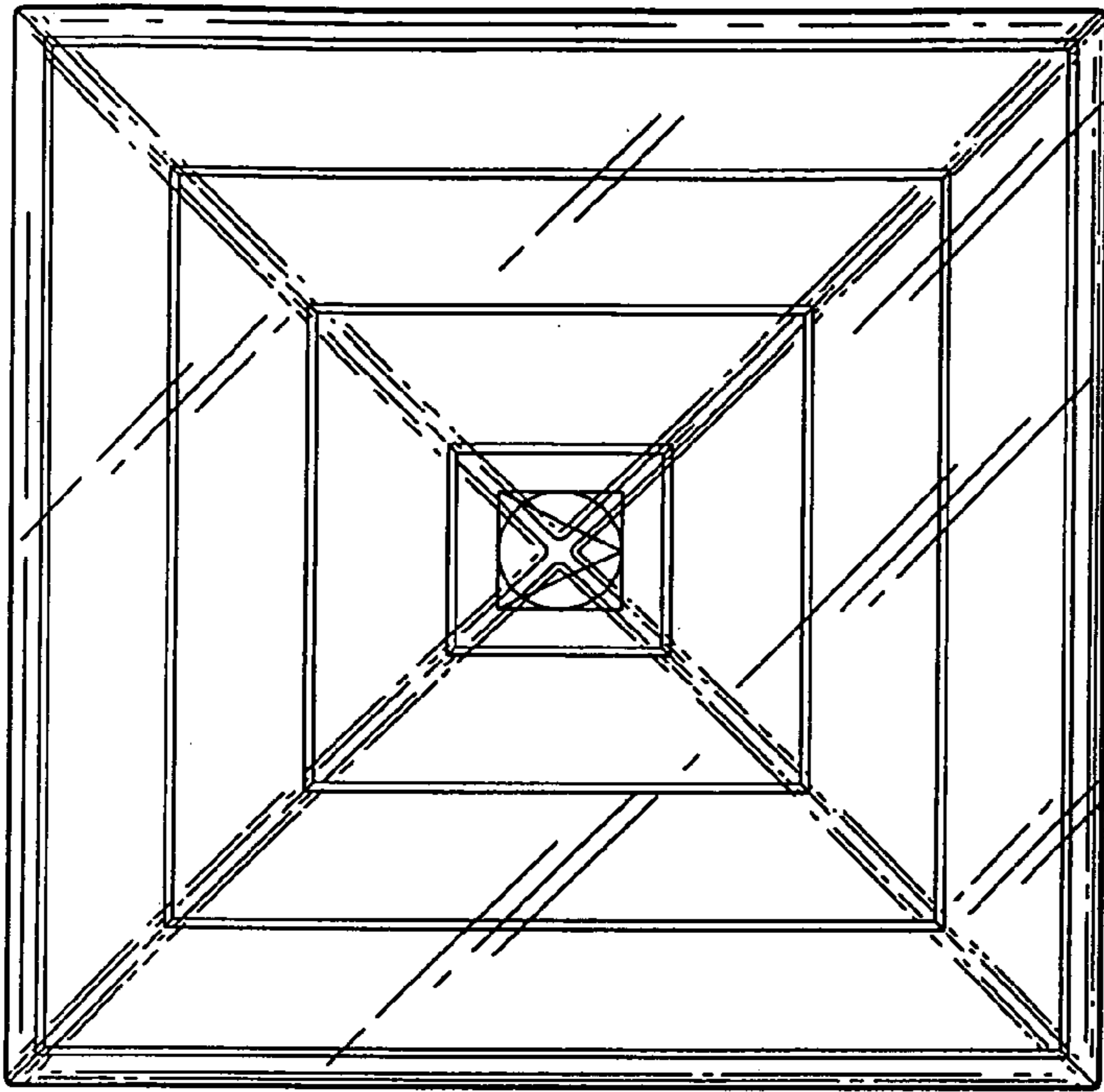


FIG. 2

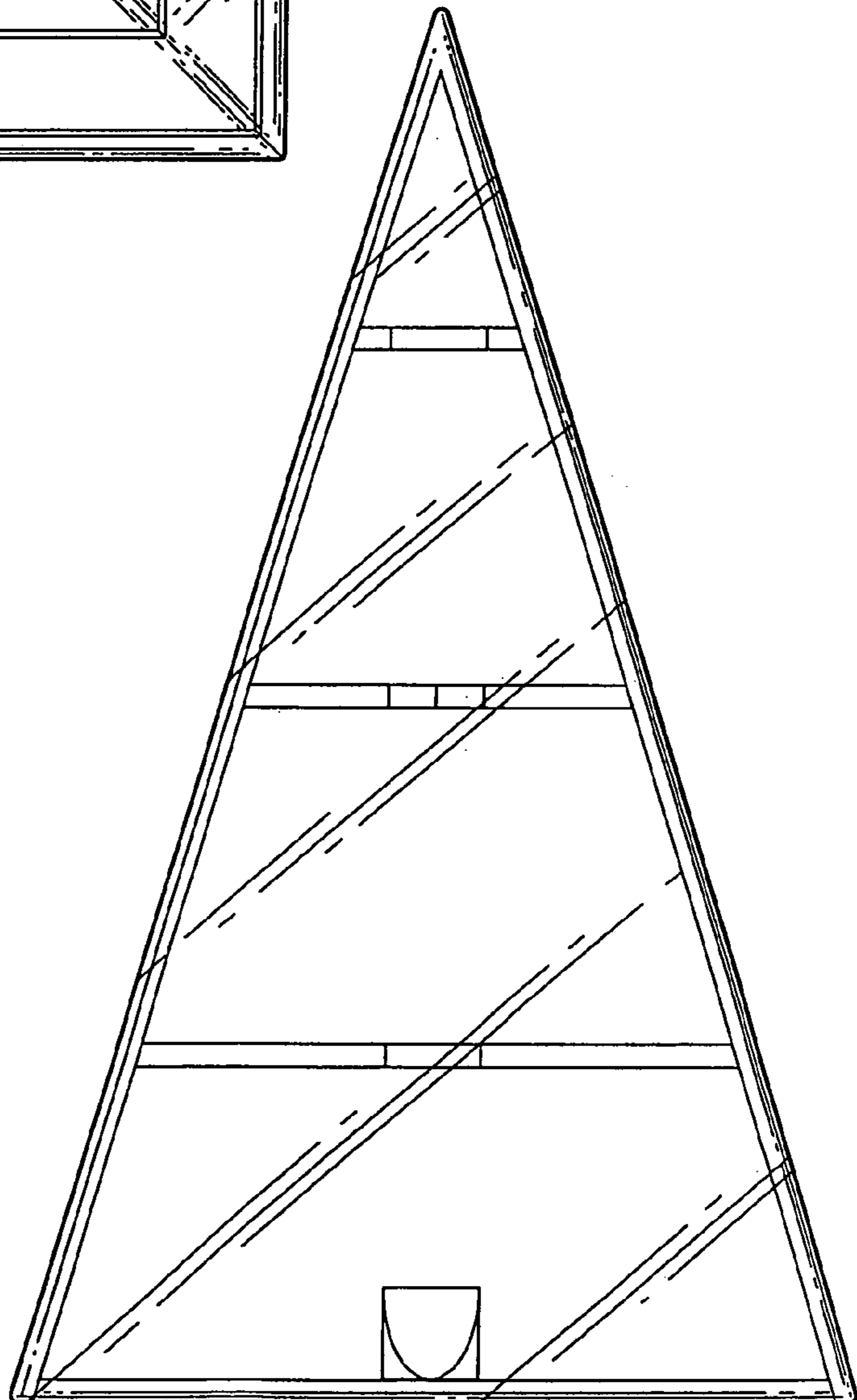


FIG. 3

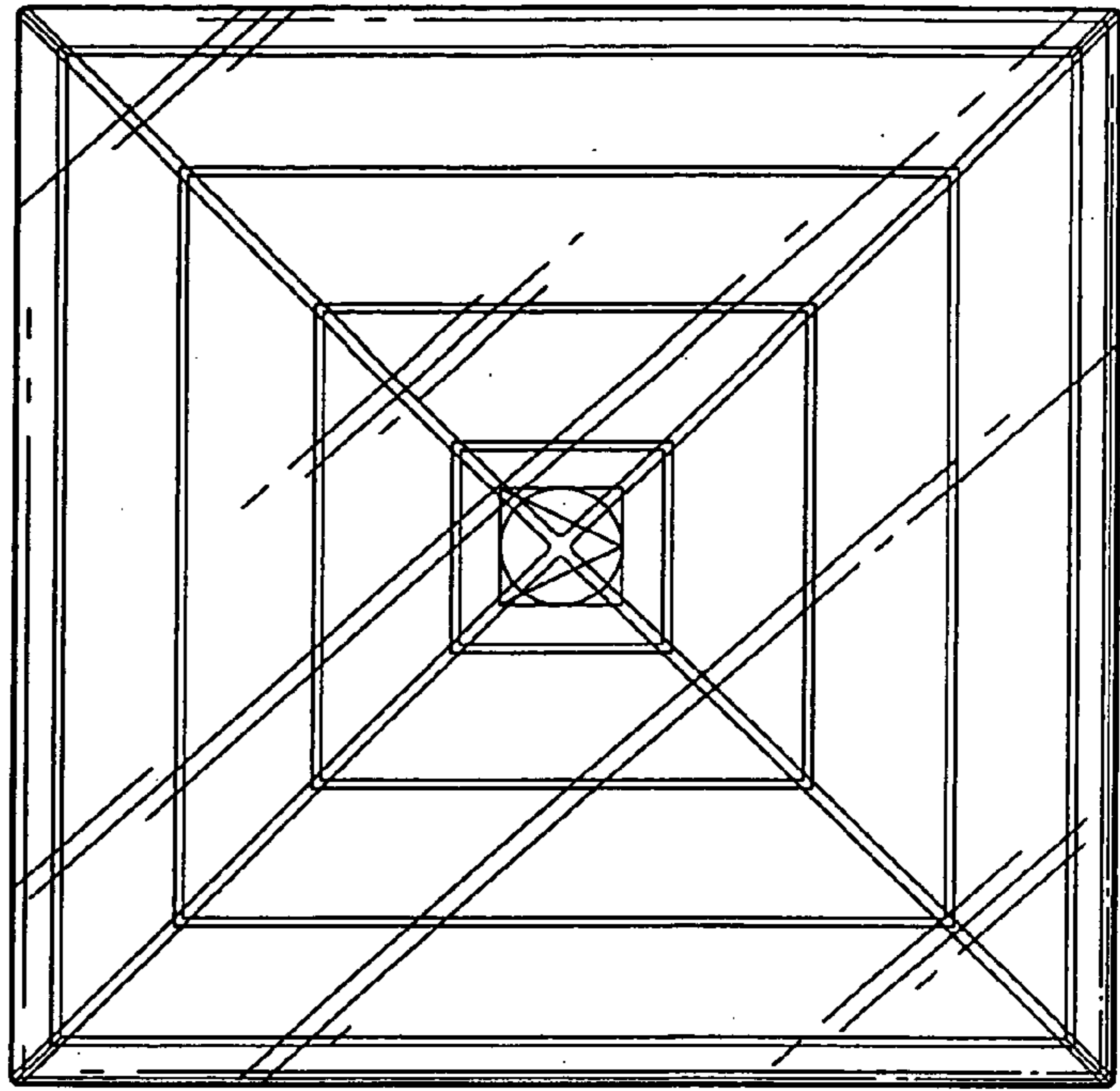


FIG. 4

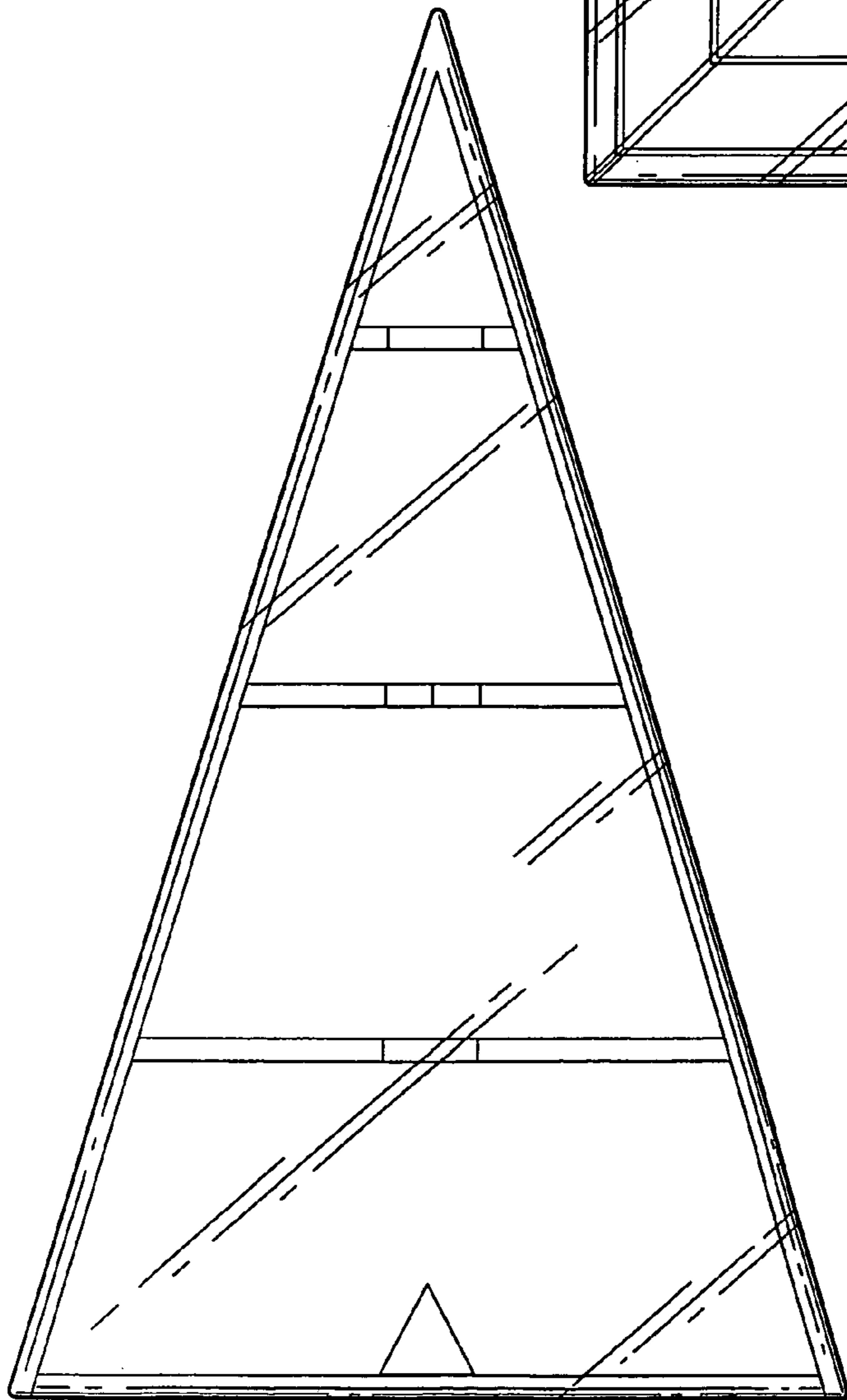


FIG. 5

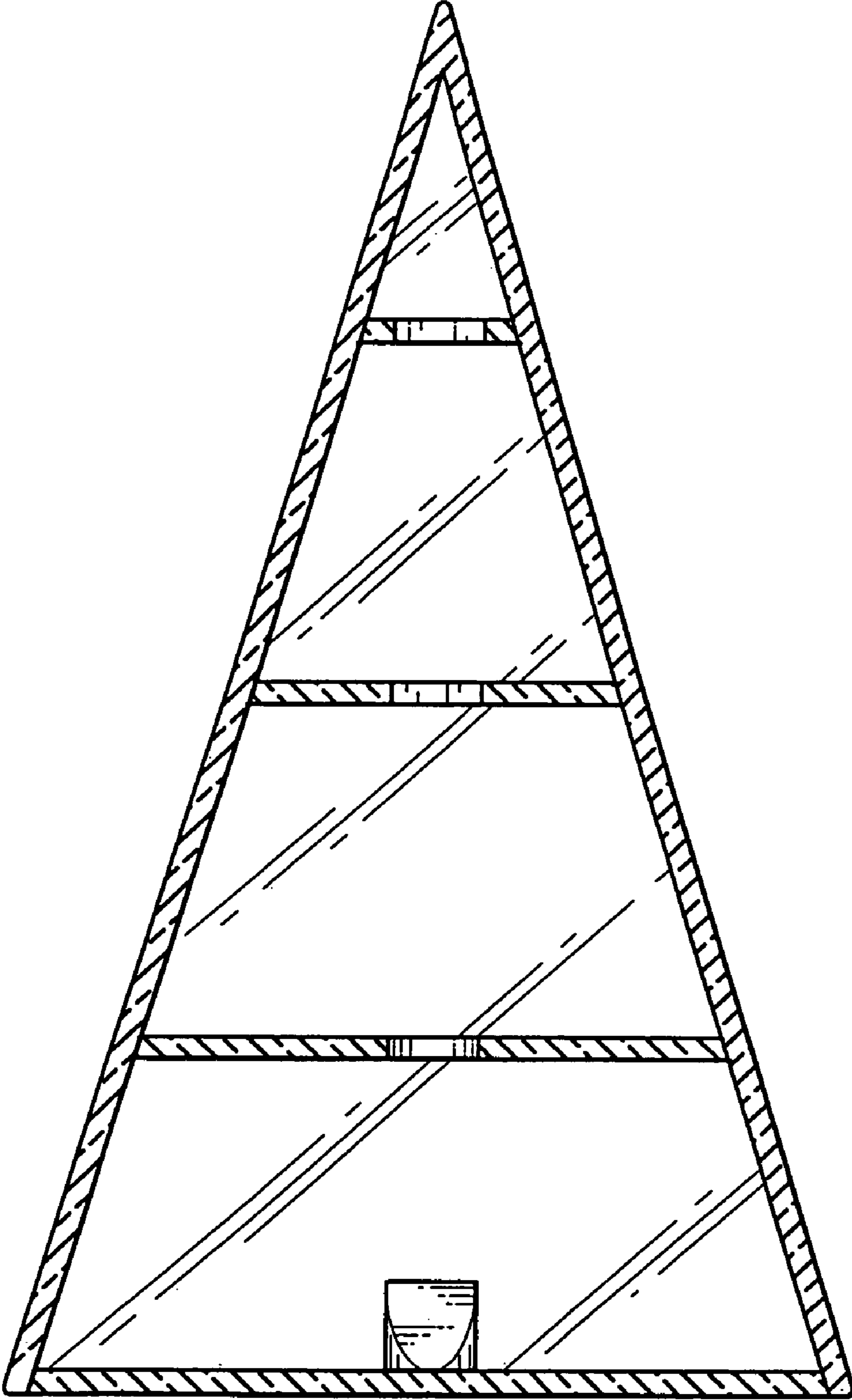


FIG. 6

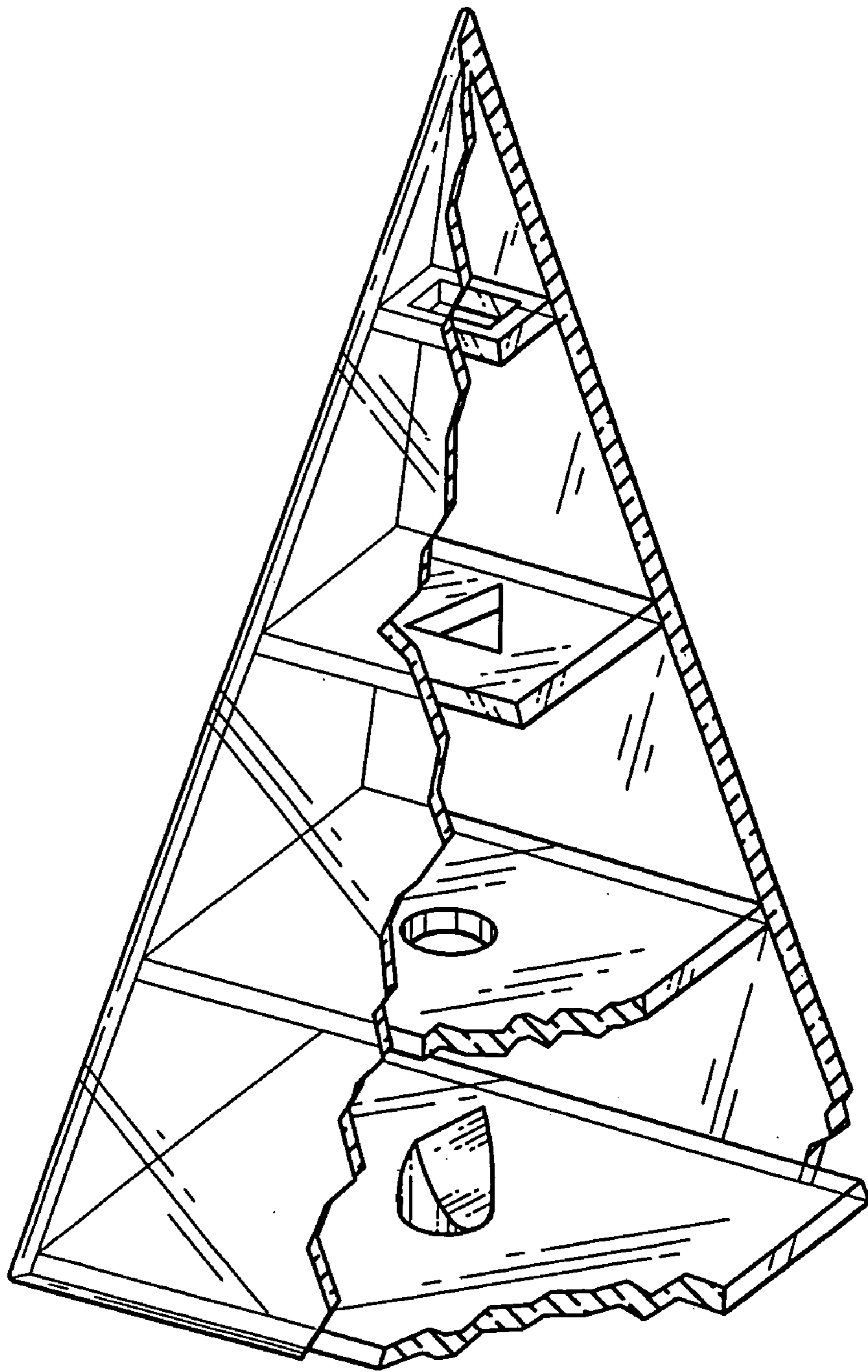


FIG. 7