



US00D562914S

(12) **United States Design Patent**
Oveson et al.

(10) **Patent No.:** **US D562,914 S**
(45) **Date of Patent:** **** Feb. 26, 2008**

(54) **GRAVITY PROPELLED SEAT-CARRYING BOARD SUPPORTED BY GROUND-ENGAGING WHEELS**

(76) Inventors: **Merrill Oveson**, 709 S. 590 East, Orem, UT (US) 84097; **Richard M. Oveson**, 709 S. 590 East, Orem, UT (US) 84097

(**) Term: **14 Years**

(21) Appl. No.: **29/264,884**

(22) Filed: **Aug. 21, 2006**

(51) **LOC (8) Cl.** **21-01**

(52) **U.S. Cl.** **D21/426**

(58) **Field of Classification Search** D12/419, D12/425, 426, 765, 1, 6, 128, 131, 133; 280/828, 280/3, 29, 200, 220, 226.1, 235, 165, 166, 280/304.1, 87.01, 87.021, 87.042, 47.25
See application file for complete search history.

(56) **References Cited**

U.S. PATENT DOCUMENTS

D194,694 S *	2/1963	Nagy	D21/425
4,281,844 A *	8/1981	Jackman et al.	280/87.01
D286,997 S *	12/1986	Stephenson	D12/131
D345,768 S *	4/1994	Bro et al.	D21/425
D382,917 S *	8/1997	Brodoski	D21/425
D460,029 S *	7/2002	Wang	D12/131
D469,819 S *	2/2003	Nicolle et al.	D21/426

* cited by examiner

Primary Examiner—Holly H. Baynham
Assistant Examiner—Cynthia M. Chin
(74) *Attorney, Agent, or Firm*—Lynn G. Foster

(57) **CLAIM**

The ornamental design for a gravity propelled seat-carrying board supported by ground-engaging wheels, as shown and described.

DESCRIPTION

FIG. 1 is a perspective view of a gravity propelled seat-carrying board supported by ground-engaging wheels showing our new design;

FIG. 2 is a side elevational view of the gravity propelled seat-carrying board supported by ground-engaging wheels, the opposite side being a mirror image thereof;

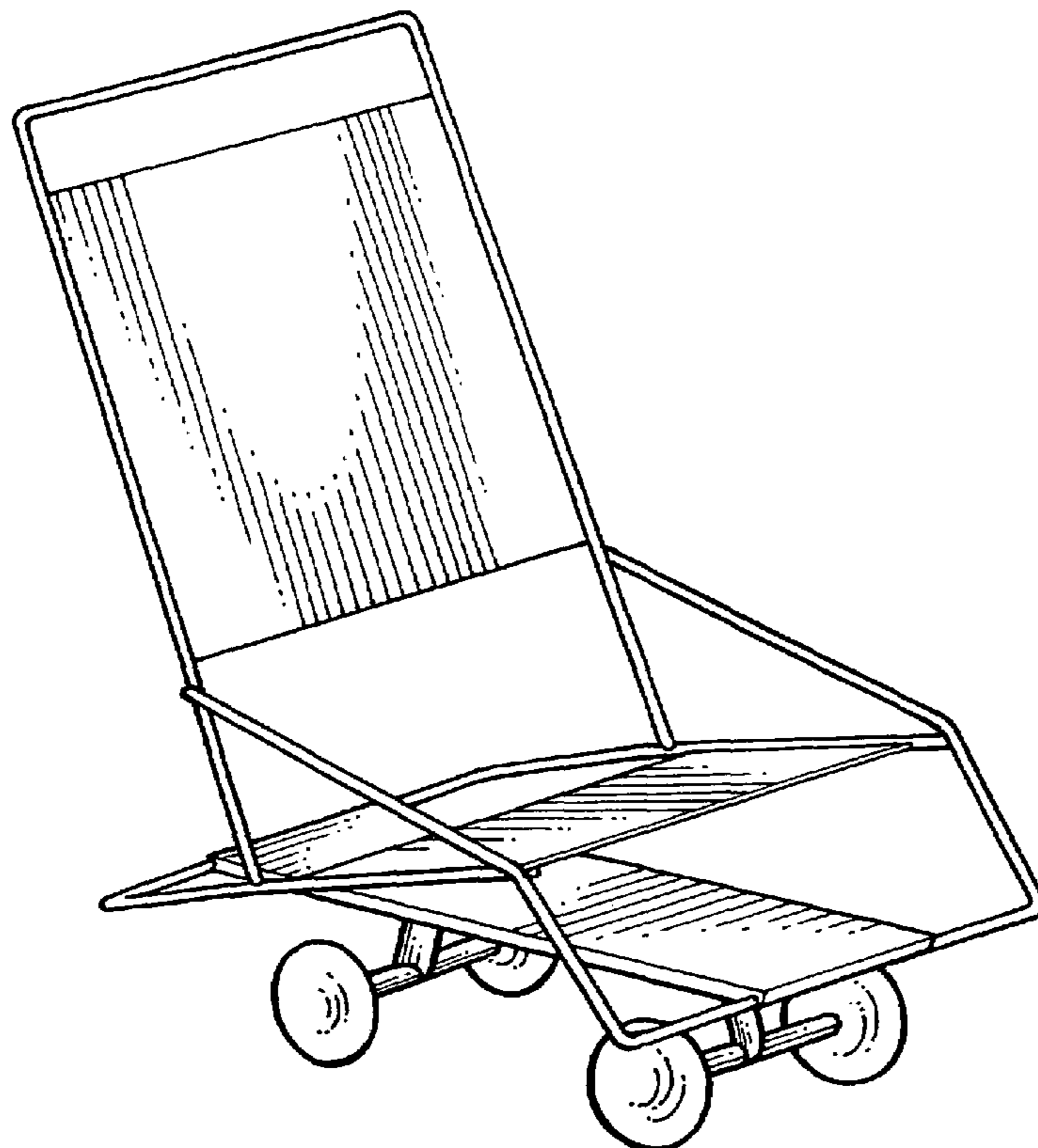
FIG. 3 is a rear elevational view of the gravity propelled seat-carrying board supported by ground-engaging wheels;

FIG. 4 is a front elevational view of the gravity propelled seat-carrying board supported by ground-engaging wheels;

FIG. 5 is a bottom view of the gravity propelled seat-carrying board supported by ground-engaging wheels; and,

FIG. 6 is a top view from the left of the gravity propelled seat-carrying board supported by ground-engaging wheels.

1 Claim, 3 Drawing Sheets



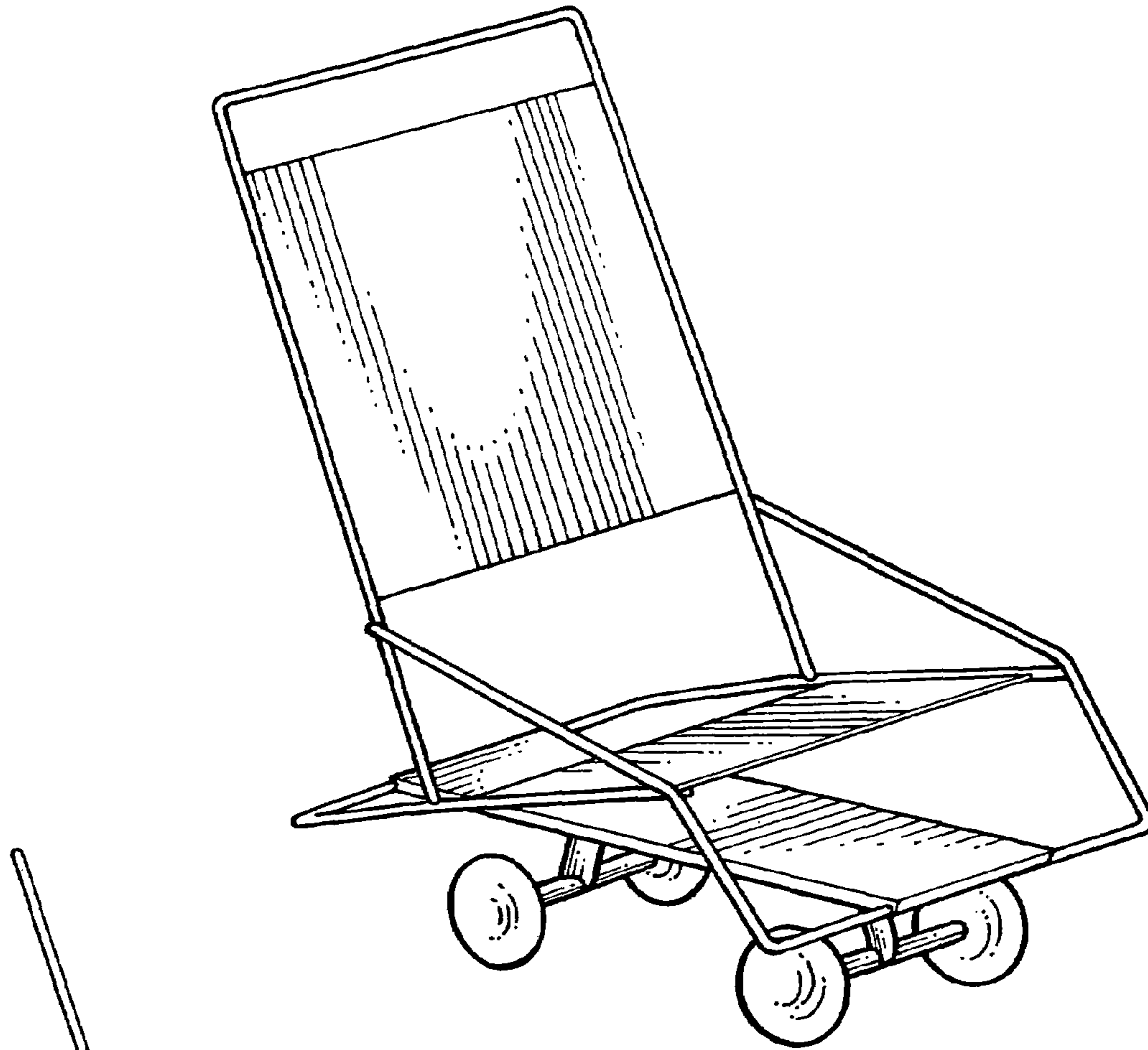


Fig.1

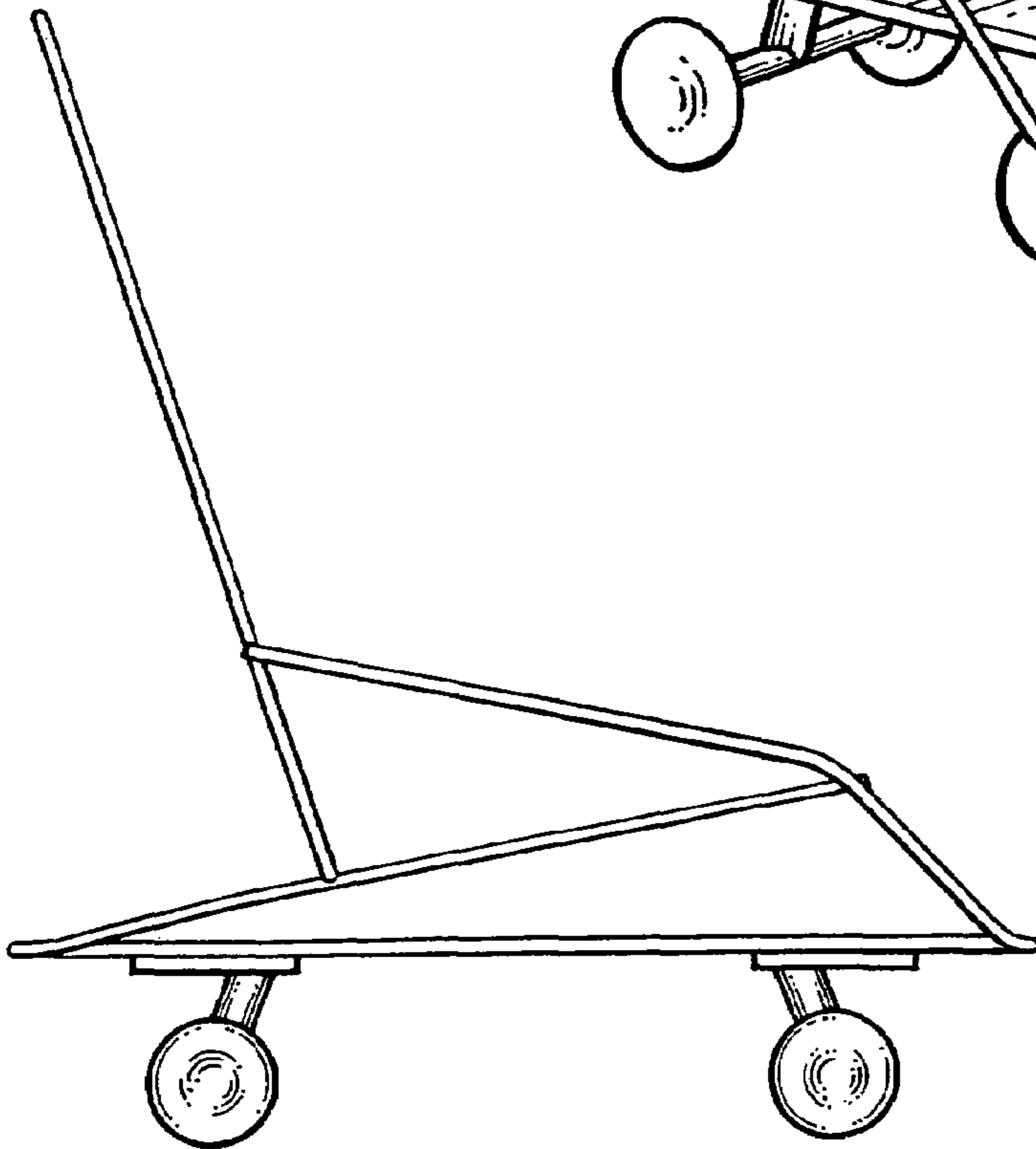


Fig.2

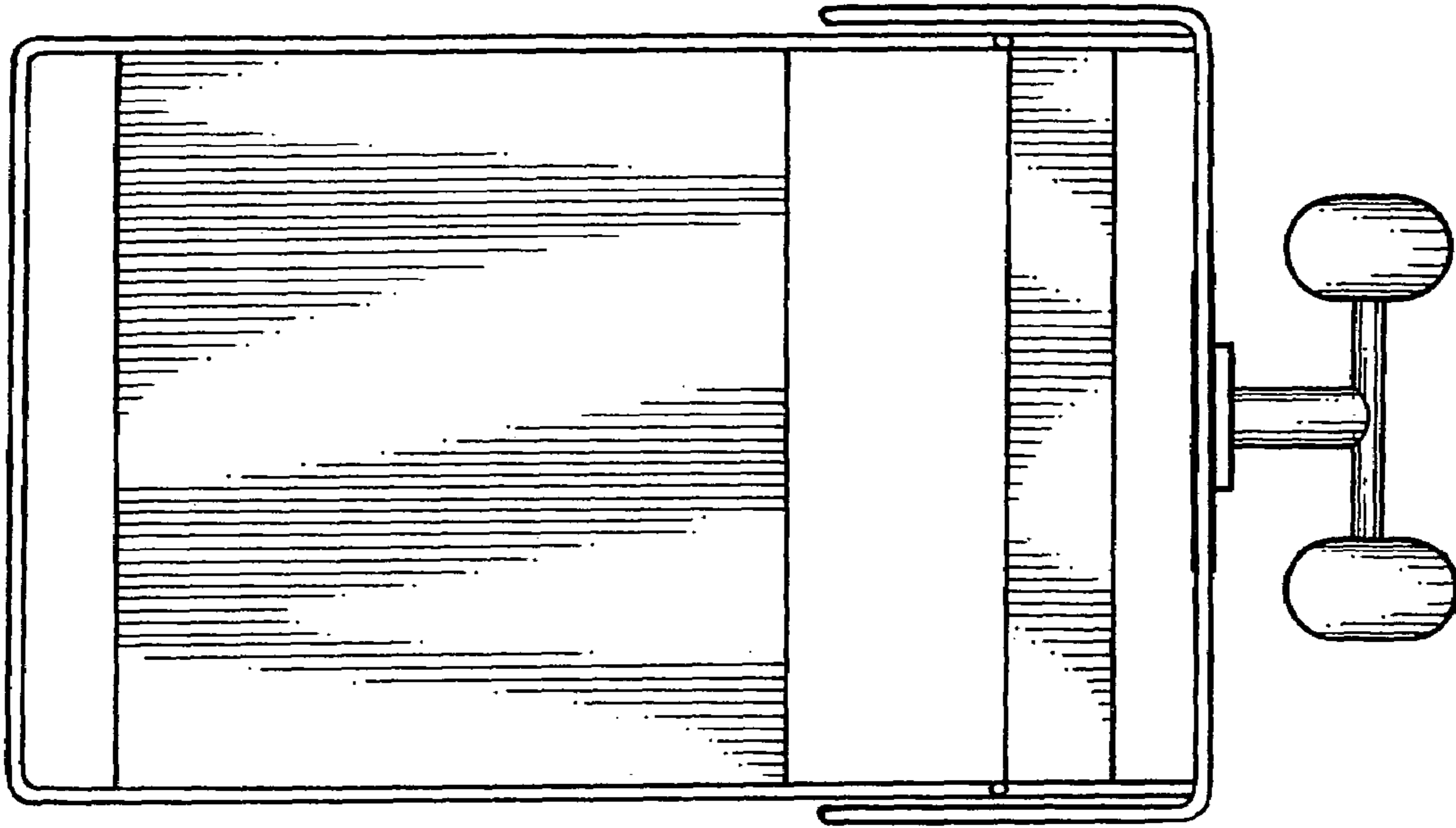


Fig.4

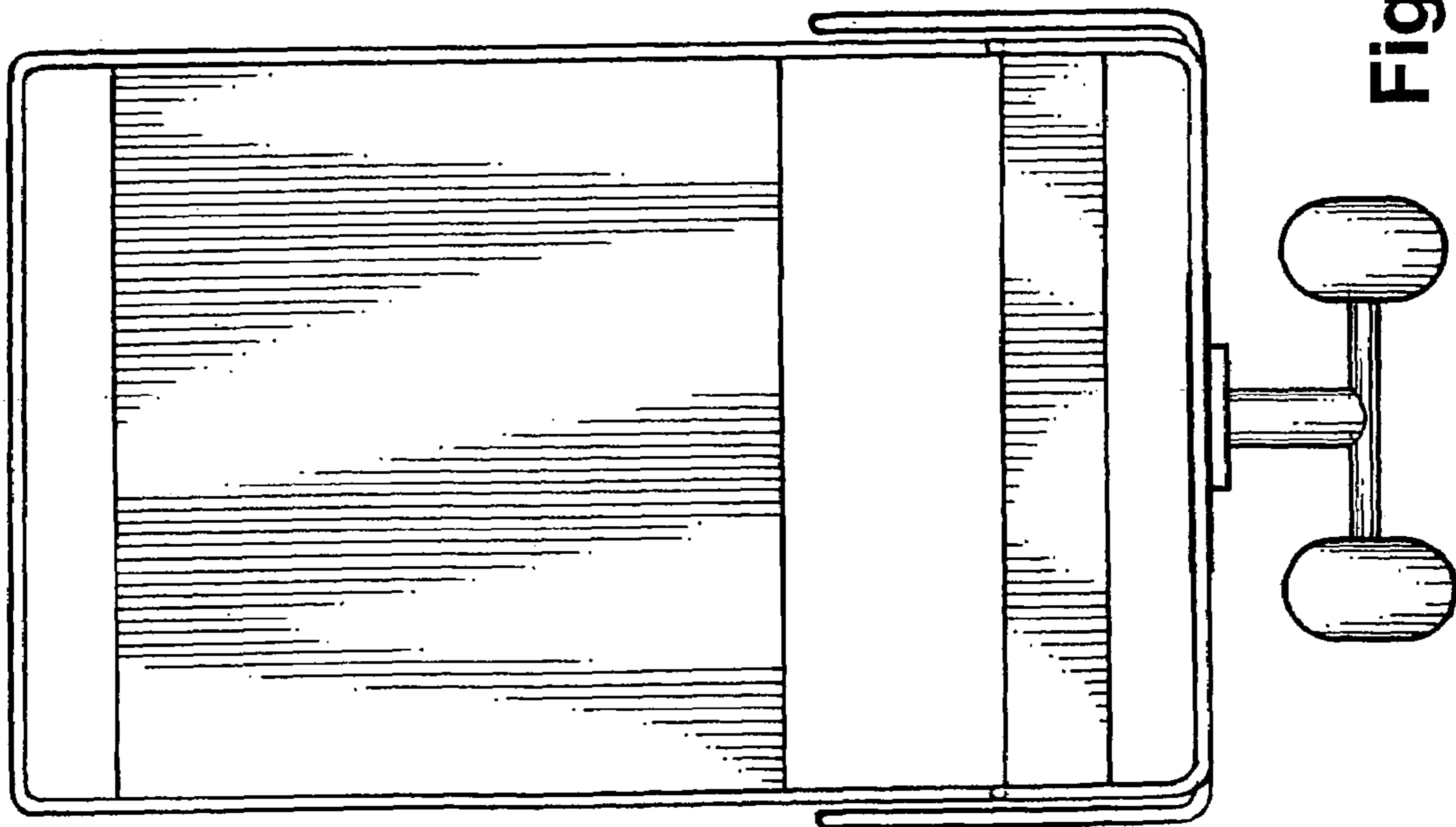


Fig.3

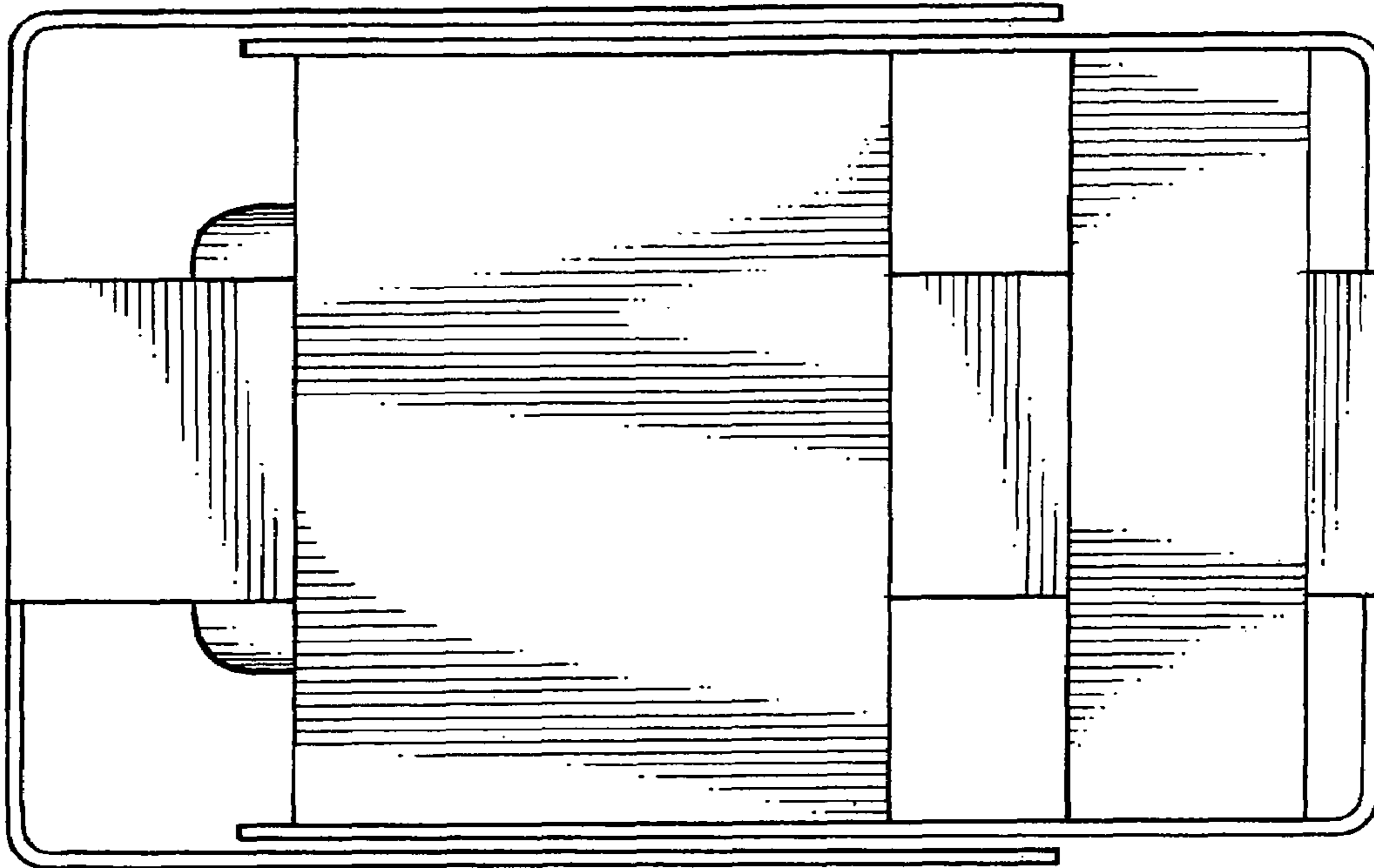


Fig. 5

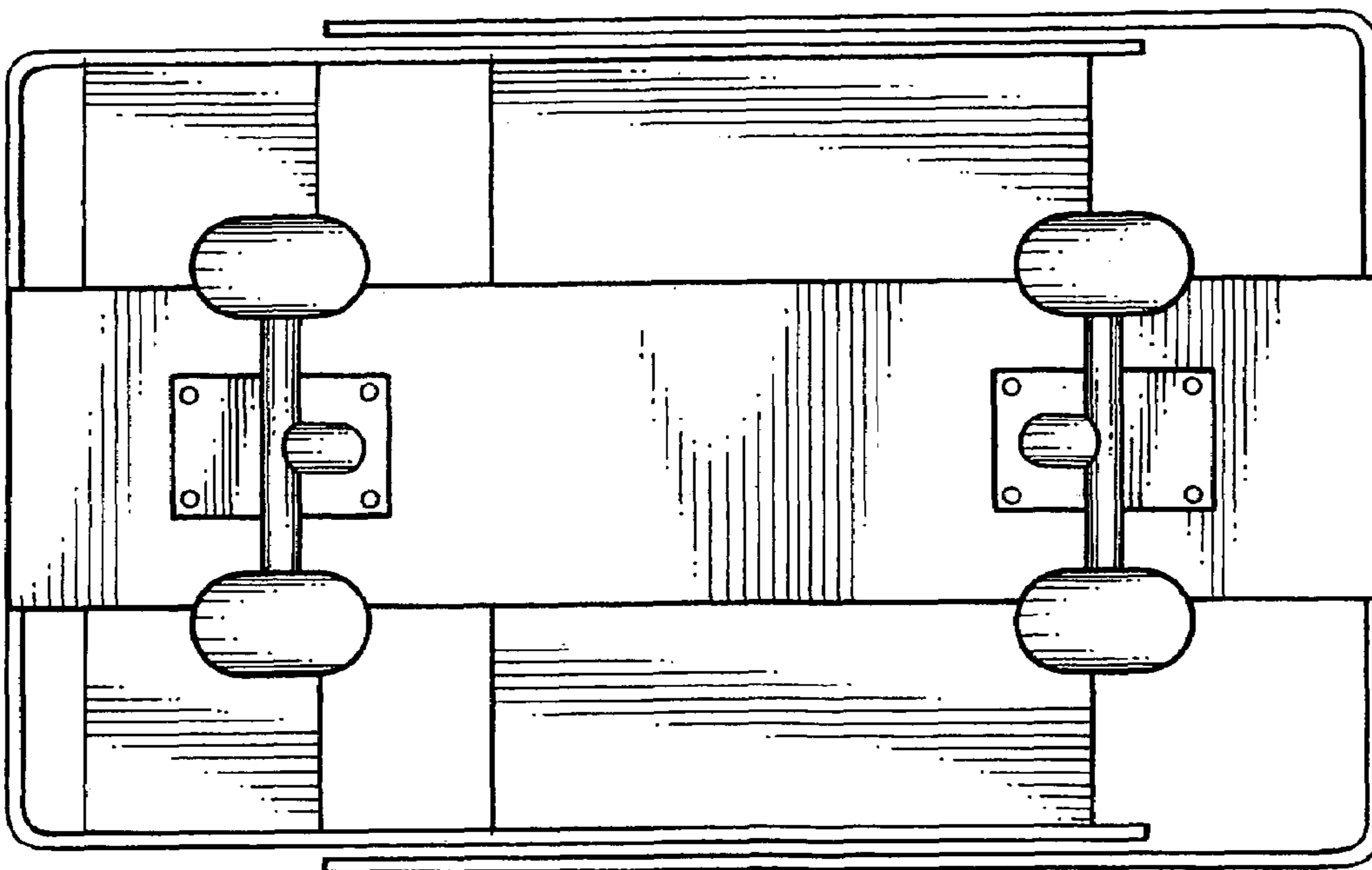


Fig. 6