

US00D562913S

(12) **United States Design Patent** (10) **Patent No.:** **US D562,913 S**
Grossman (45) **Date of Patent:** **** Feb. 26, 2008**

(54) **POGO STICK**

(75) Inventor: **Martin Grossman**, Glasgow (GB)

(73) Assignee: **H Grossman Limited**, Glasgow (GB)

(**) Term: **14 Years**

(21) Appl. No.: **29/246,935**

(22) Filed: **May 22, 2006**

(30) **Foreign Application Priority Data**

Nov. 22, 2005	(GB)	0523769
Nov. 23, 2005	(EM)	0436290-0001
Nov. 23, 2005	(EM)	0436290-0002
Nov. 23, 2005	(EM)	0436290-0003
Nov. 23, 2005	(EM)	0436290-0004

(51) **LOC (8) Cl.** **21-01**

(52) **U.S. Cl.** **D21/413**

(58) **Field of Classification Search** D21/412-419,
D21/421, 422; 482/77, 112, 121-131, 135;
472/135; D26/25, 51, 3, 42, 43, 69, 79, 85,
D26/86, 137; D10/109-115; 362/102, 209,
362/217-225, 227, 240, 249, 252, 806
See application file for complete search history.

(56) **References Cited**

U.S. PATENT DOCUMENTS

2,871,016	A *	1/1959	Rapaport	482/77
3,731,920	A *	5/1973	Matsuda	482/77
3,958,803	A *	5/1976	Geisselbrecht	482/126
3,968,359	A *	7/1976	Shaffer	362/224
D263,485	S *	3/1982	Rudell et al.	D21/413
D316,280	S *	4/1991	White	D21/413
5,037,088	A *	8/1991	Bernstein	482/112
5,586,957	A *	12/1996	Wilkinson	482/74
D462,400	S *	9/2002	Kim	D21/413
6,589,140	B1 *	7/2003	Hsu	482/77
D479,733	S *	9/2003	Arginsky	D21/413
6,634,767	B2 *	10/2003	Huang	362/252

6,827,673	B2 *	12/2004	Chen et al.	482/77
6,908,206	B1 *	6/2005	Pinciario	362/34
2002/0154503	A1 *	10/2002	Pan	362/227
2003/0012019	A1 *	1/2003	Pan	362/231
2005/0018435	A1 *	1/2005	Selkee et al.	362/427
2005/0185396	A1 *	8/2005	Kutler	362/218
2007/0042874	A1 *	2/2007	Arginsky et al.	482/77

OTHER PUBLICATIONS

Pogo stick shown on webpage: http://web.archive.org/web/*/http://www.growingtreetoys.com/images/products/bg/009791.jpg*

* cited by examiner

Primary Examiner—Catherine Tuttle

(74) *Attorney, Agent, or Firm*—Steptoe & Johnson LLP

(57) **CLAIM**

The ornamental design for a pogo stick, as shown and described.

DESCRIPTION

FIG. 1 is a bottom perspective view of a pogo stick of my new design. The hatched spots shown are representative of lighted areas, wherein the color of the light within each area is indicated by the particular hatching with vertical hatching indicating the color red and horizontal hatching indicating the color blue;

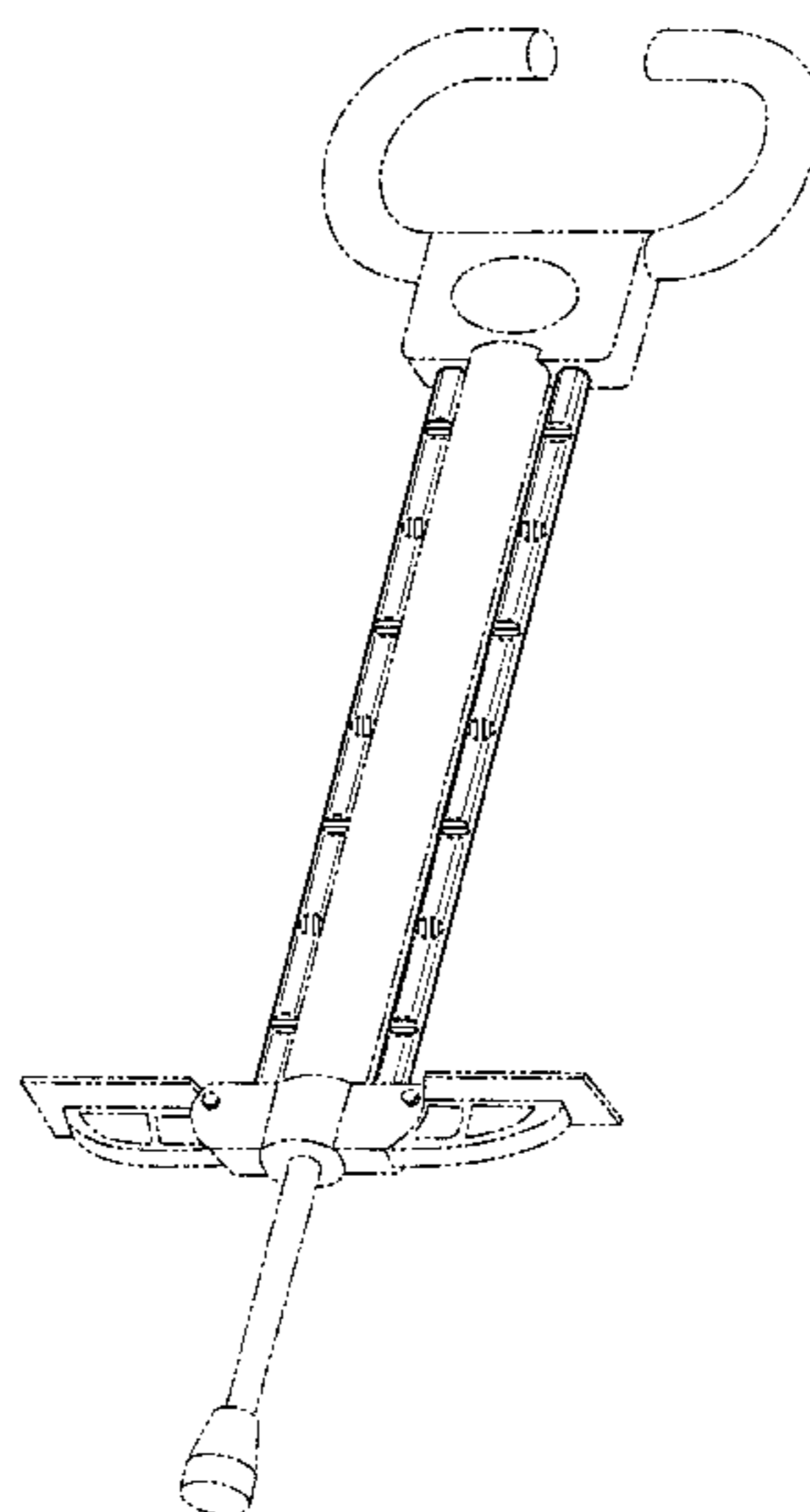
FIG. 2 is a top perspective view of the pogo stick of FIG. 1; and,

FIG. 3 is a front view of the pogo stick of FIG. 1.

The portions of a pogo stick shown in broken lines in FIGS. 1-3, including handle bars and a coupling therefor, a central cylinder, foot supports and a coupling therefor, a lower slider shaft, and a lower bounce element, denote the environmental use of the claimed design, are for illustrative purposes only, and form no part of the claimed design.

The broken lines defining the boundaries of the lighted areas form no part of the claimed design.

1 Claim, 3 Drawing Sheets



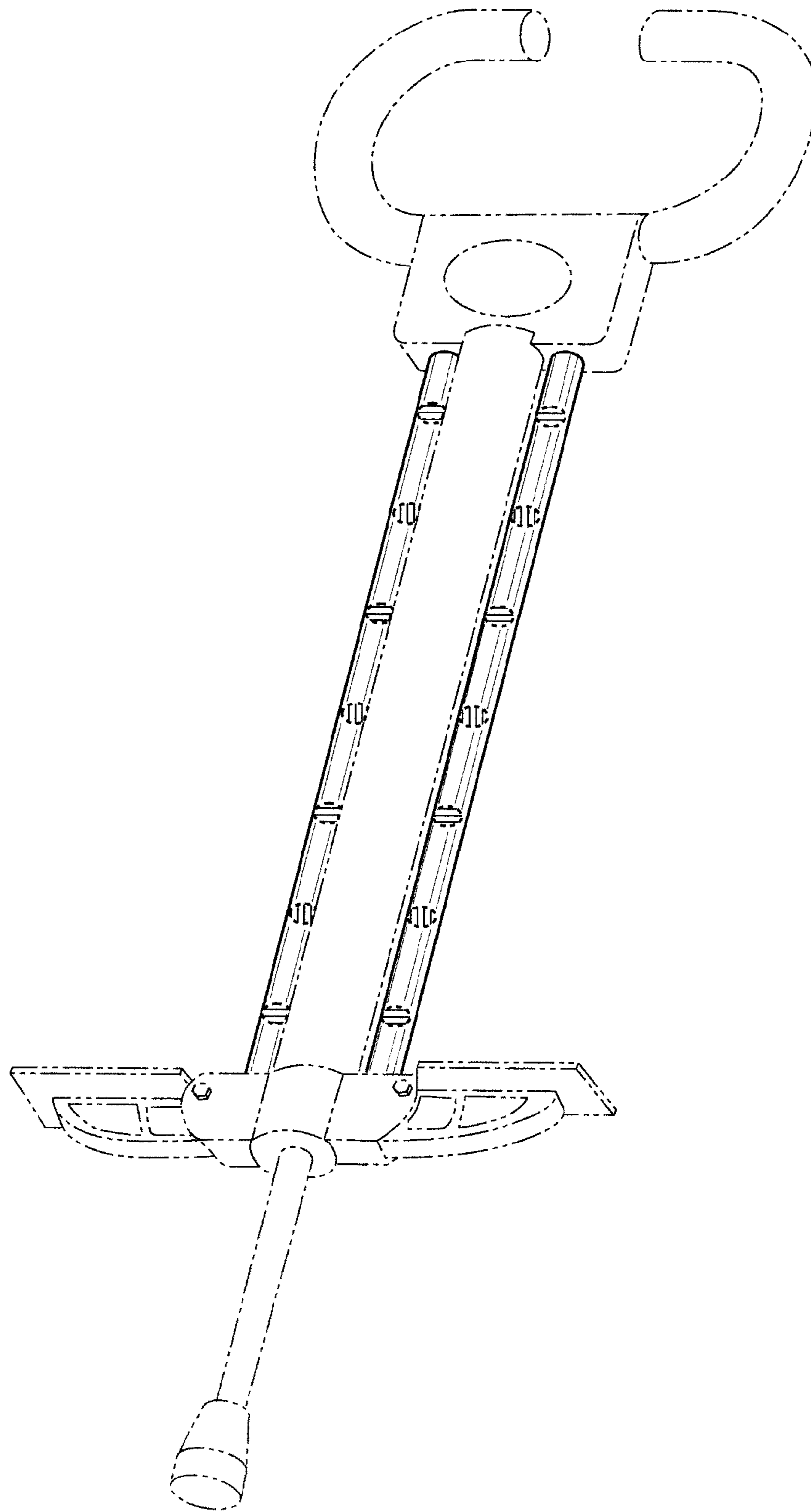


Fig. 1

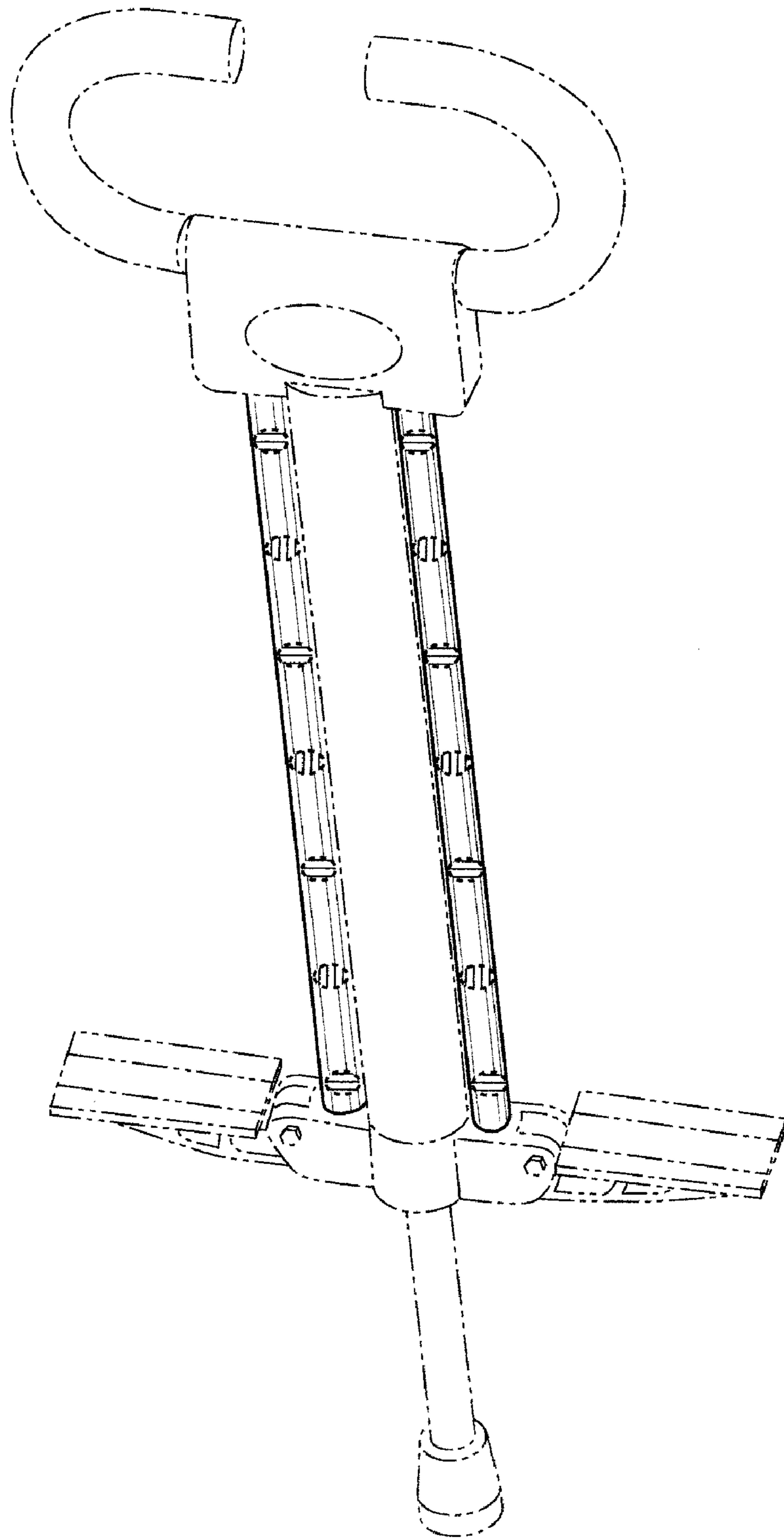


Fig. 2

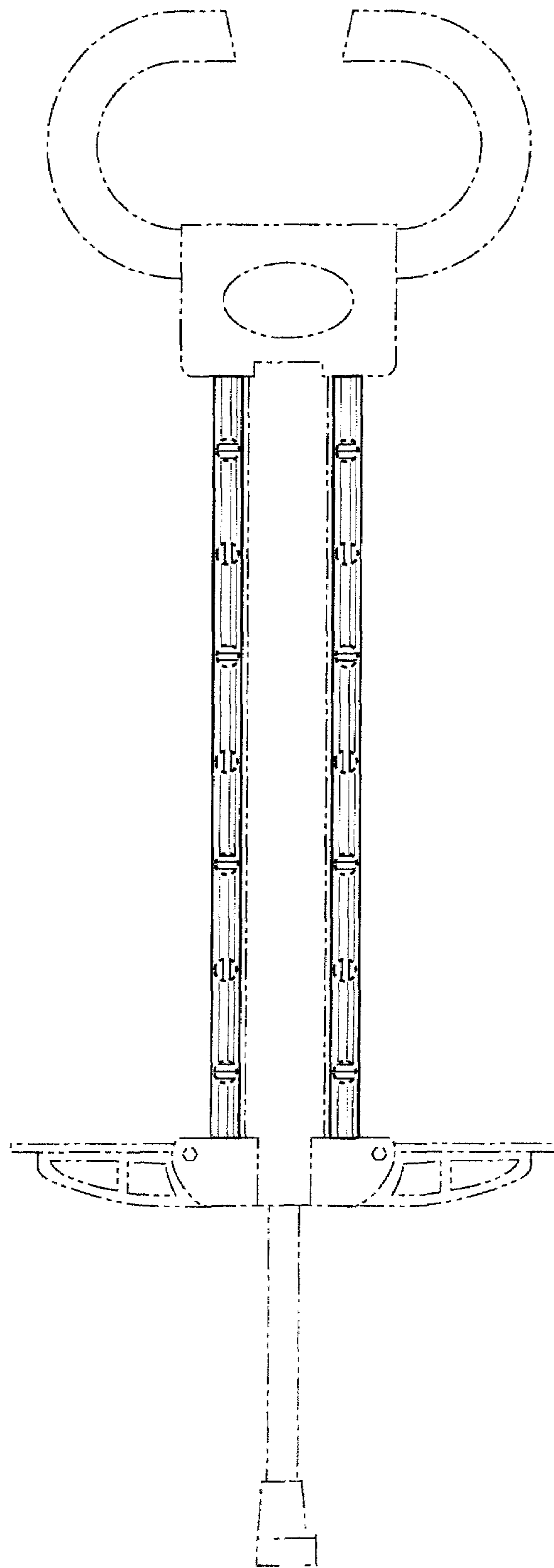


Fig. 3