



US00D562912S

(12) **United States Design Patent**  
**Myers**

(10) **Patent No.:** **US D562,912 S**

(45) **Date of Patent:** **\*\* Feb. 26, 2008**

(54) **GAMING MACHINE TOPPER**

(75) Inventor: **Gordon H. Myers**, Reno, NV (US)

(73) Assignee: **Bally Gaming, Inc.**, Las Vegas, NV (US)

(\*\*) Term: **14 Years**

(21) Appl. No.: **29/250,032**

(22) Filed: **Oct. 31, 2006**

(51) **LOC (8) Cl.** ..... **21-01**

(52) **U.S. Cl.** ..... **D21/385; D21/369**

(58) **Field of Classification Search** ..... D21/325,  
D21/329, 369–371, 374, 385; D14/305,  
D14/307, 336, 900–902; 273/138.1; 463/16–17,  
463/20, 25, 42, 46–47  
See application file for complete search history.

(56) **References Cited**

**U.S. PATENT DOCUMENTS**

D450,096 S \* 11/2001 Legras et al. .... D21/385  
D519,571 S \* 4/2006 Myers ..... D21/385

D519,575 S \* 4/2006 Myers ..... D21/385  
D524,380 S \* 7/2006 Seelig et al. .... D21/370  
2005/0119041 A1\* 6/2005 Berman et al. .... 463/16  
2006/0154733 A1\* 7/2006 Wu ..... 463/46

\* cited by examiner

*Primary Examiner*—Sandra L. Morris  
(74) *Attorney, Agent, or Firm*—JP Cody

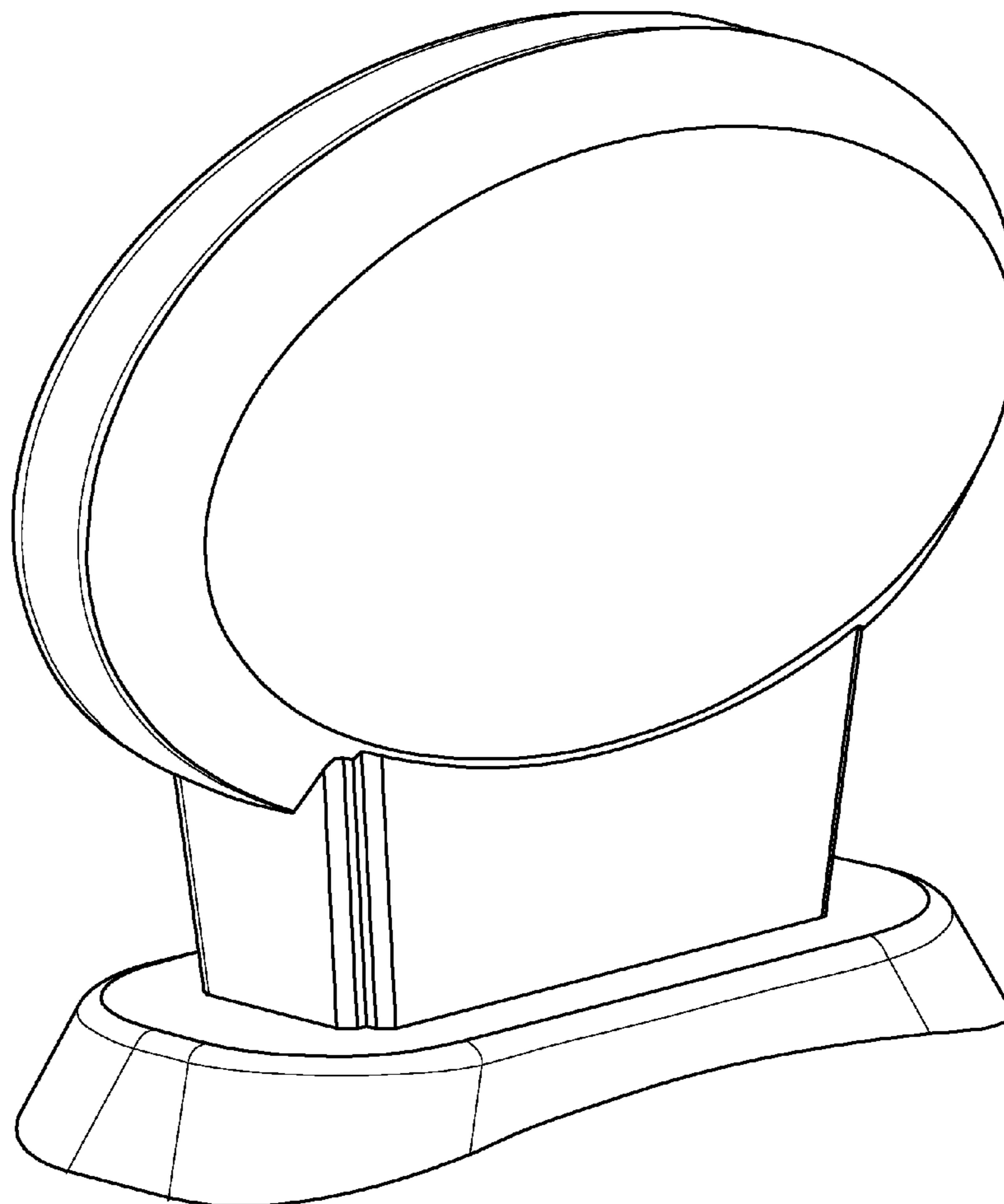
(57) **CLAIM**

The ornamental design for a gaming machine topper, as shown and described.

**DESCRIPTION**

FIG. 1 is a perspective view of a gaming machine topper, showing my new design;  
FIG. 2 is a top view thereof;  
FIG. 3 is a front elevational view thereof;  
FIG. 4 is a right side elevational view thereof; and,  
FIG. 5 is a rear elevational view thereof.

**1 Claim, 5 Drawing Sheets**



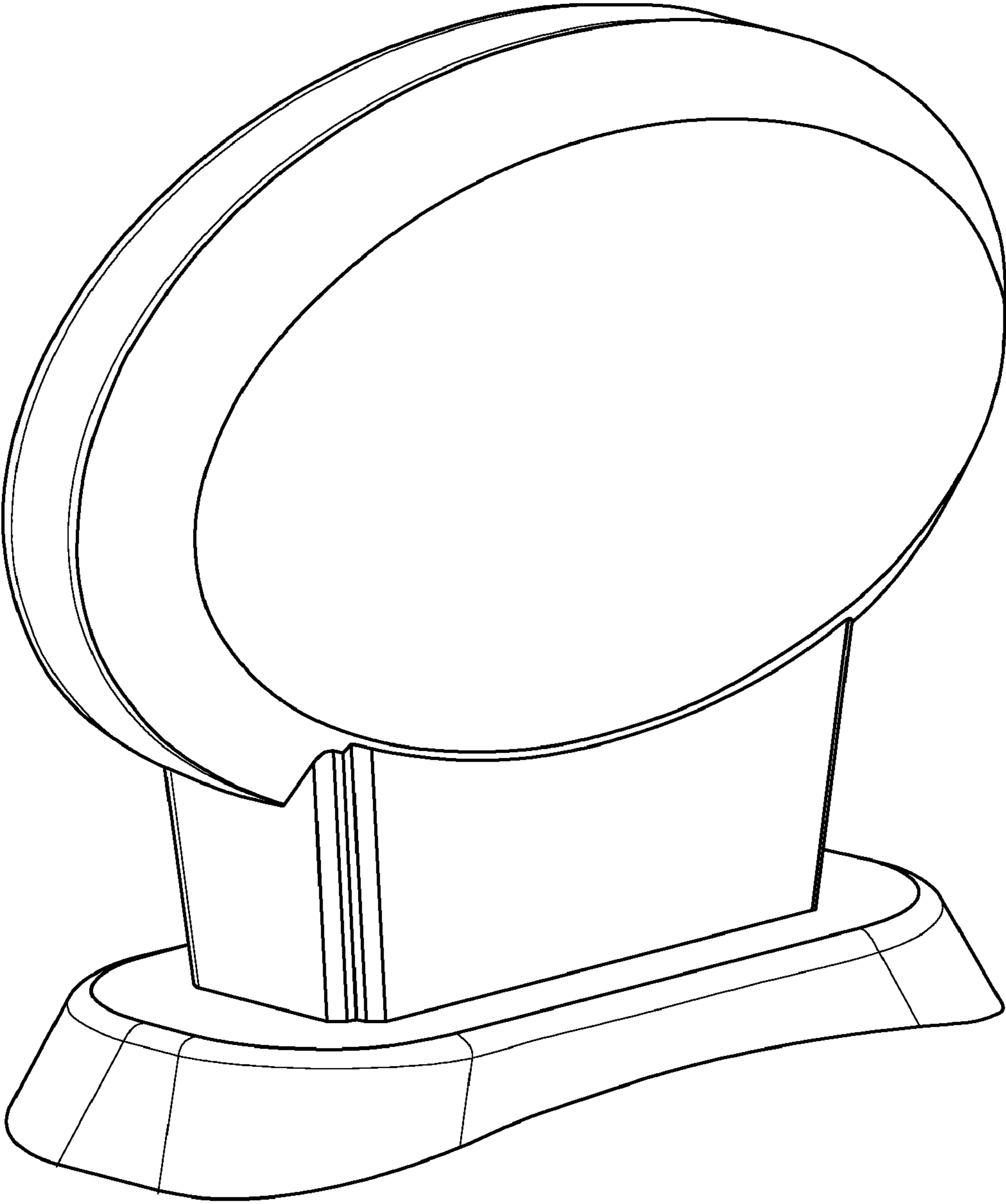


FIG. 1

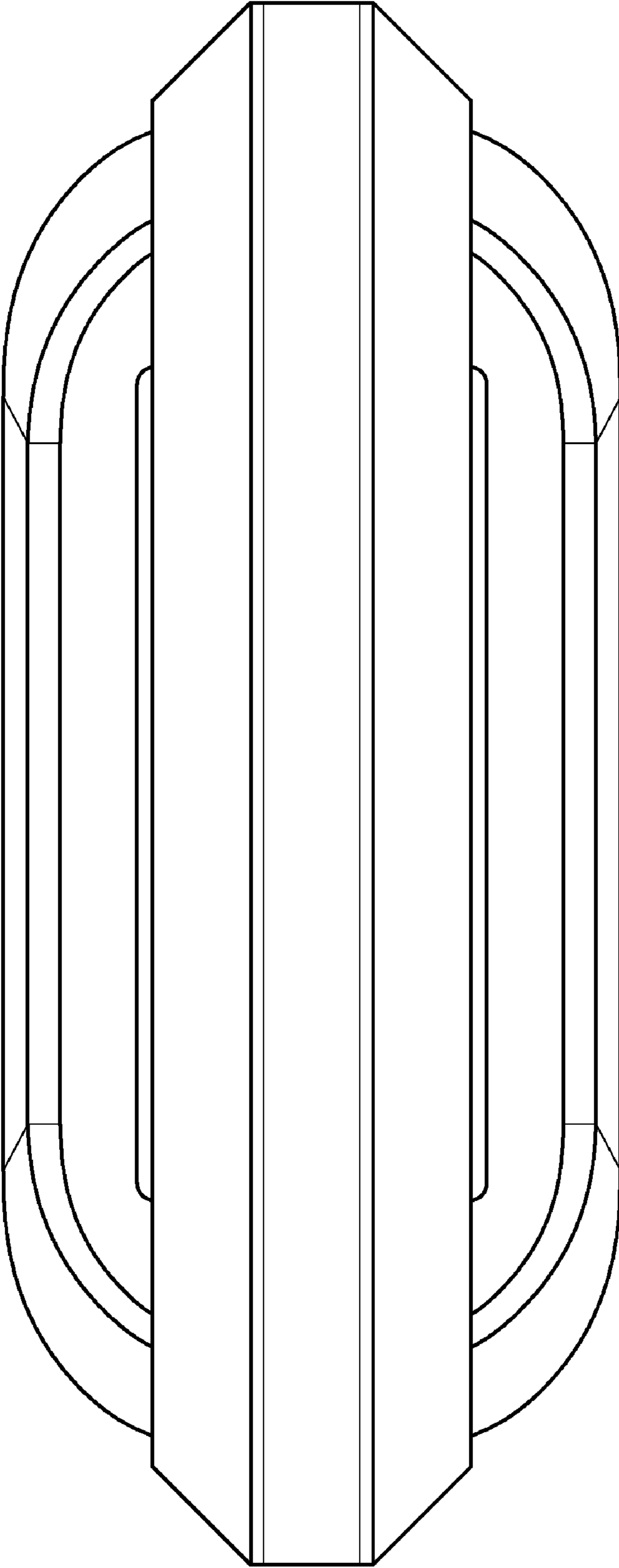


FIG. 2

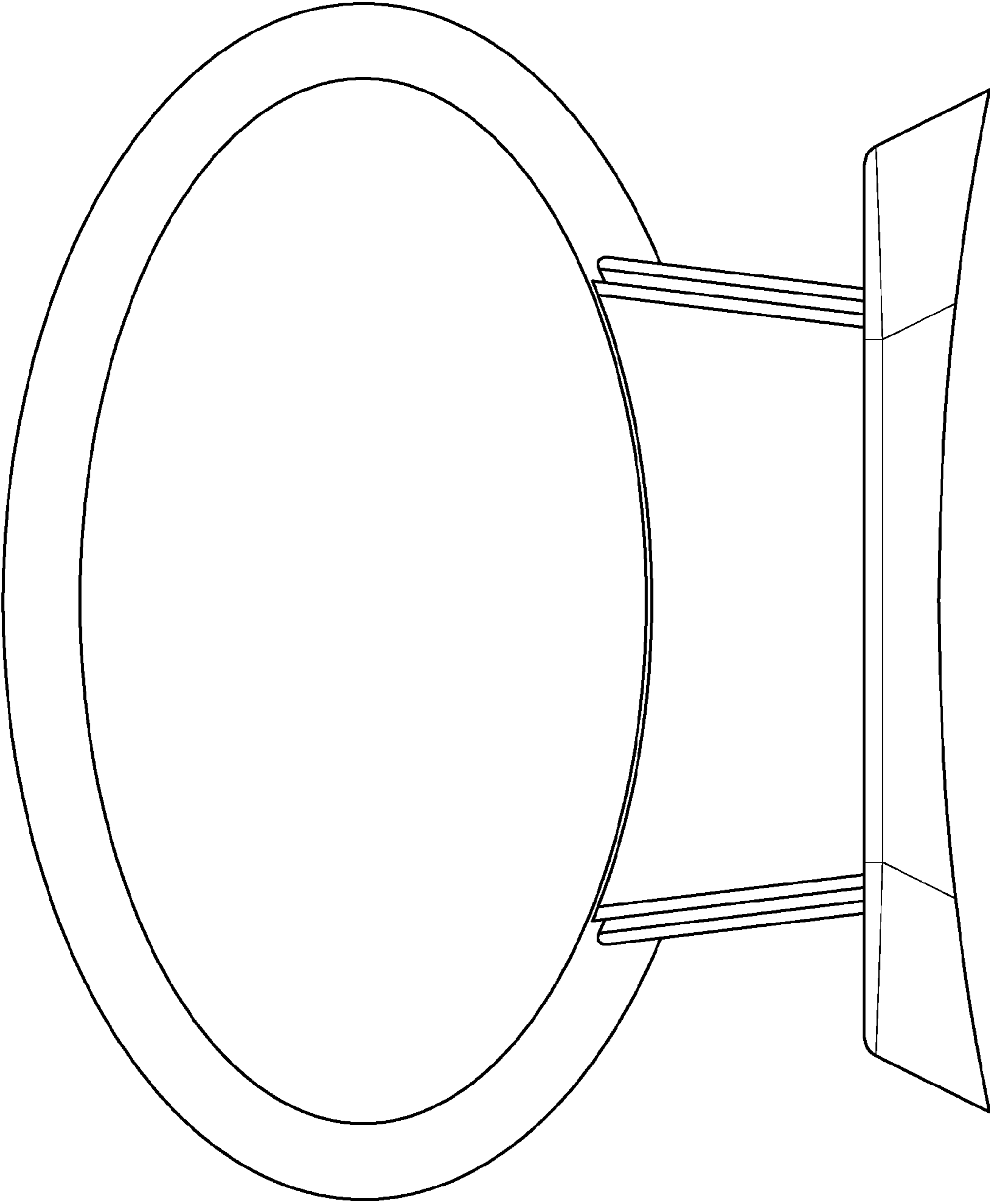


FIG. 3

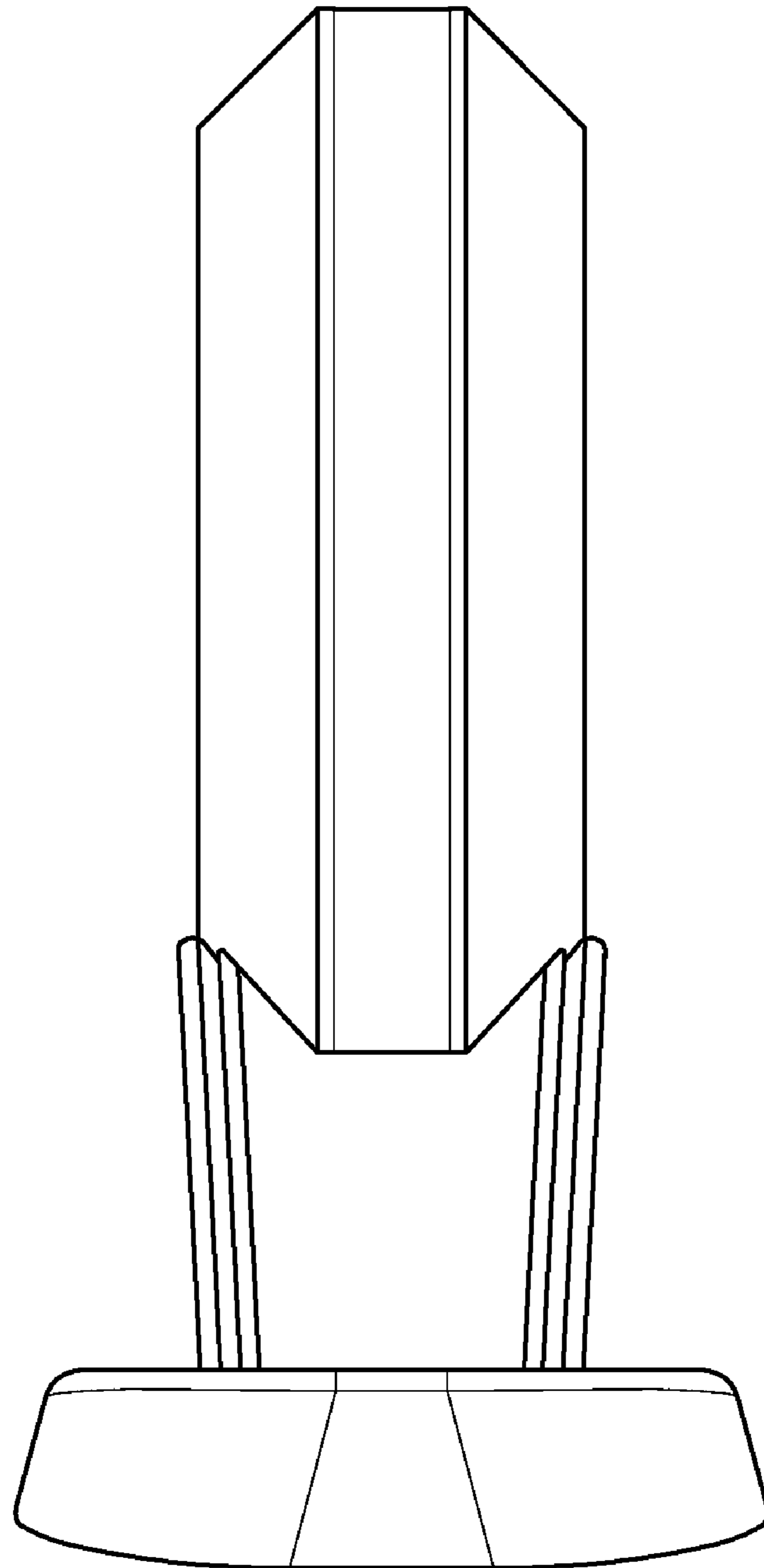


FIG. 4

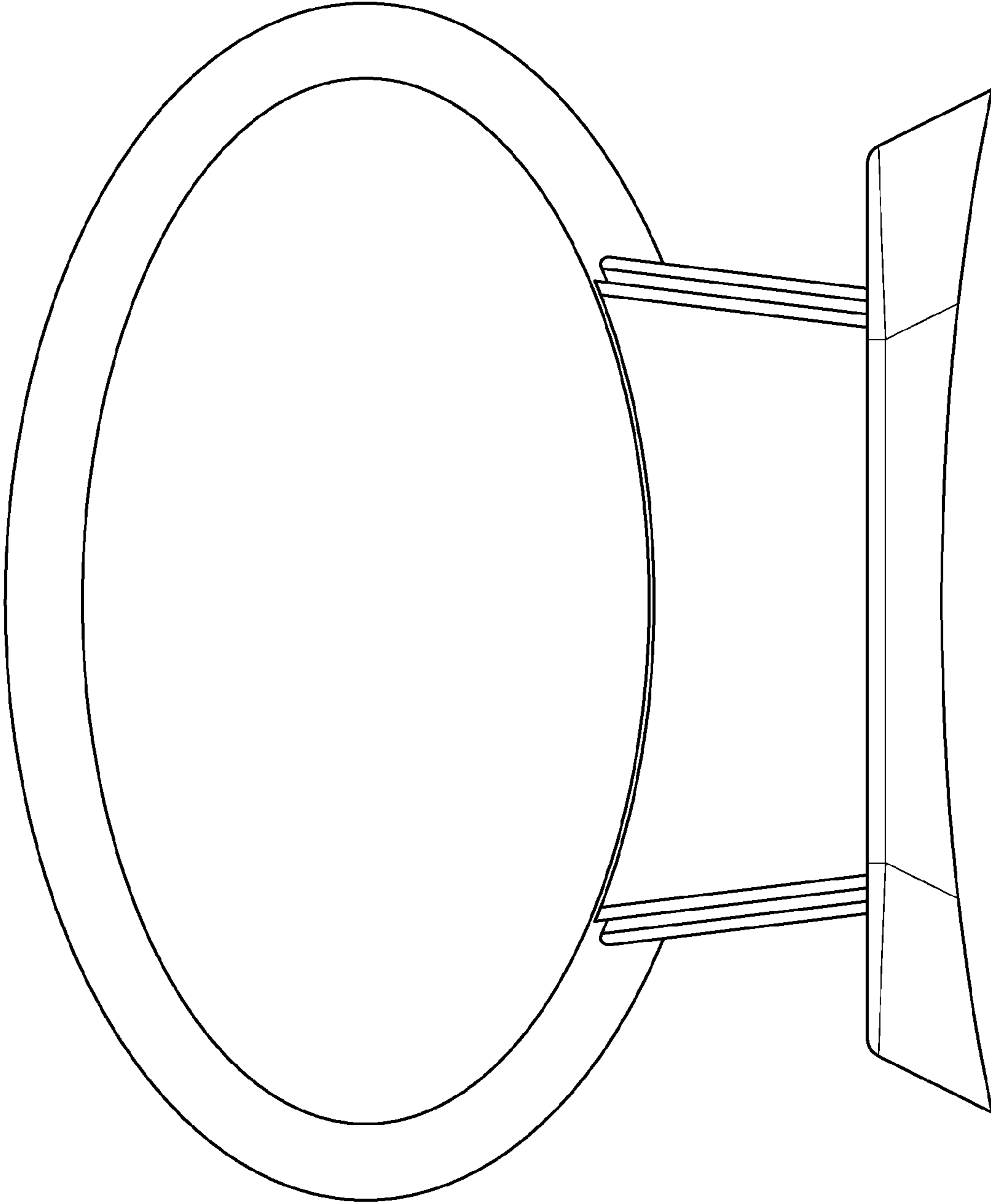


FIG. 5