



US00D562910S

(12) **United States Design Patent**
Campion

(10) **Patent No.:** **US D562,910 S**

(45) **Date of Patent:** **** Feb. 26, 2008**

(54) **SHUFFLEBOARD TABLE GAME**
(75) Inventor: **Donald C. Campion**, Commerce Township, MI (US)

(73) Assignee: **Mega Mania Diversions LLC**, Commerce Township, MI (US)

(**) Term: **14 Years**

(21) Appl. No.: **29/289,000**

(22) Filed: **Jun. 29, 2007**

(51) **LOC (8) Cl.** **21-01**

(52) **U.S. Cl.** **D21/321**

(58) **Field of Classification Search** D21/312, D21/321, 334, 338; 273/108, 108.1, 121 R, 273/126 R, 119 R, 121 A, 122 R, 123 R, 273/124 R, 124 A, 126 A, DIG. 26; 473/106-110
See application file for complete search history.

(56) **References Cited**

U.S. PATENT DOCUMENTS

3,174,752 A * 3/1965 Plentis 273/126 R
D202,793 S * 11/1965 Smith D21/321
3,219,349 A * 11/1965 Smith 273/126 R
3,762,711 A * 10/1973 Cooper 273/126 R
3,865,377 A * 2/1975 Cooper et al. 273/126 R
3,907,294 A * 9/1975 Breslow 273/108.1

D285,943 S * 9/1986 Sadleir D21/321
5,011,147 A * 4/1991 Thomas et al. 273/126 A
D361,795 S * 8/1995 Abrudan D21/321
D476,697 S * 7/2003 Guridi D21/321
D495,372 S * 8/2004 Oister et al. D21/318

* cited by examiner

Primary Examiner—Prabhakar Deshmukh

(74) *Attorney, Agent, or Firm*—Marshall & Melhorn LLC

(57) **CLAIM**

The ornamental design for a shuffleboard table game, as shown and described.

DESCRIPTION

FIG. 1 is a perspective view of a shuffleboard table game showing my new design.

FIG. 2 is a top plan view thereof;

FIG. 3 is a right side elevational view thereof;

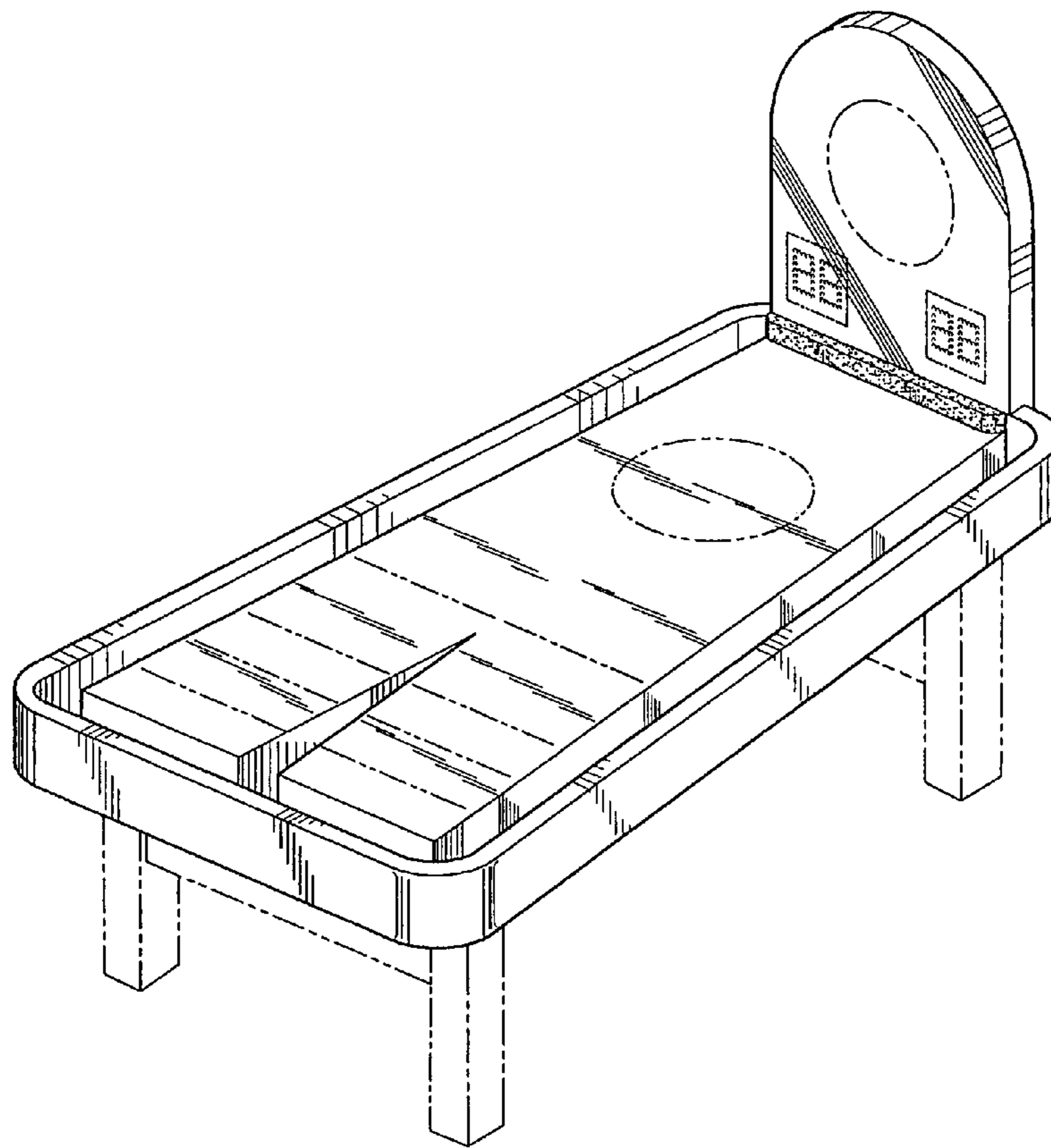
FIG. 4 is a left side elevational view thereof;

FIG. 5 is a front view thereof; and,

FIG. 6 is a rear view thereof.

The broken lines shown in FIGS. 1-6 are included for the purpose of showing the leg support means and other possible features and form no part of the claimed design.

1 Claim, 2 Drawing Sheets



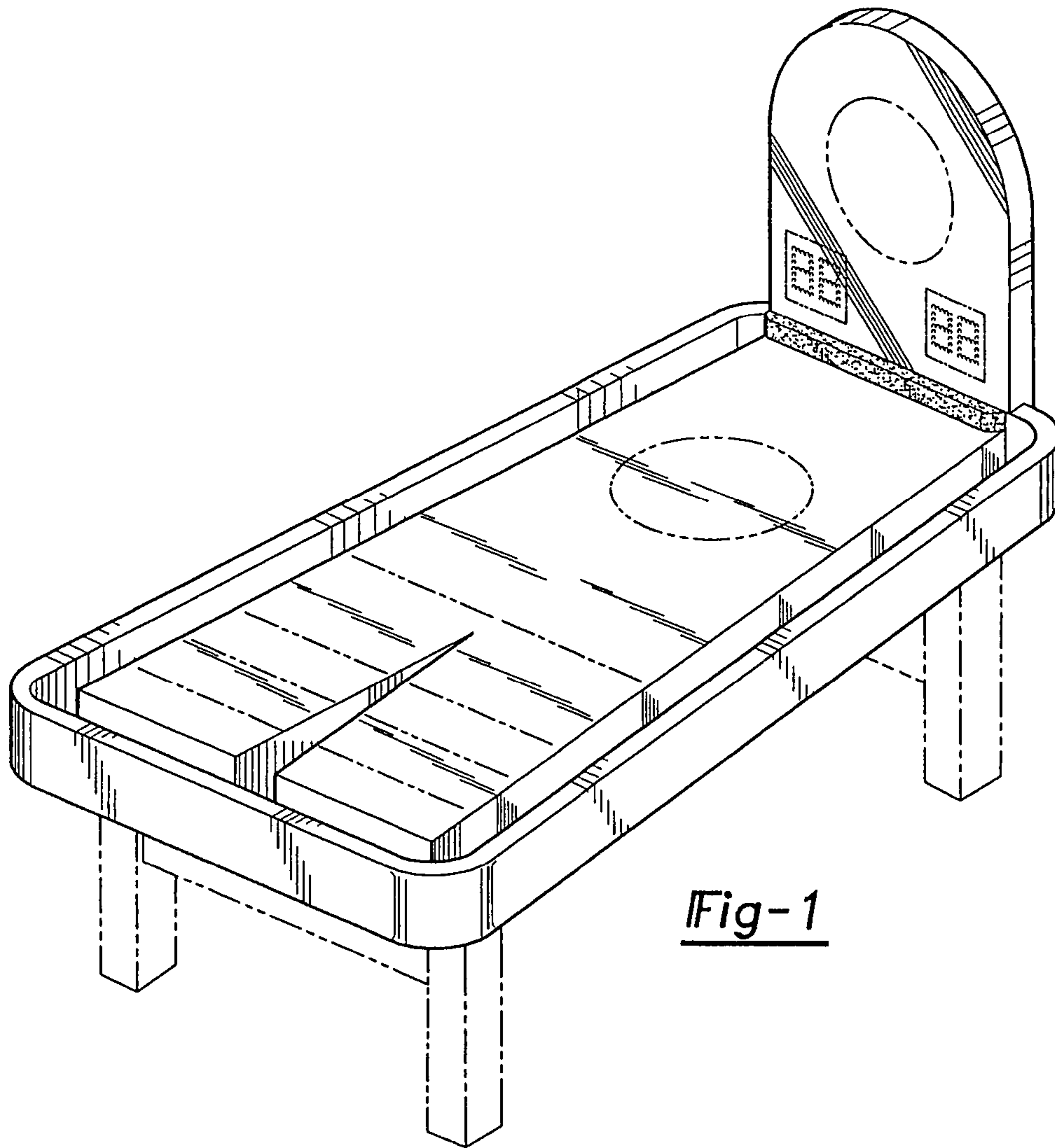


Fig-1

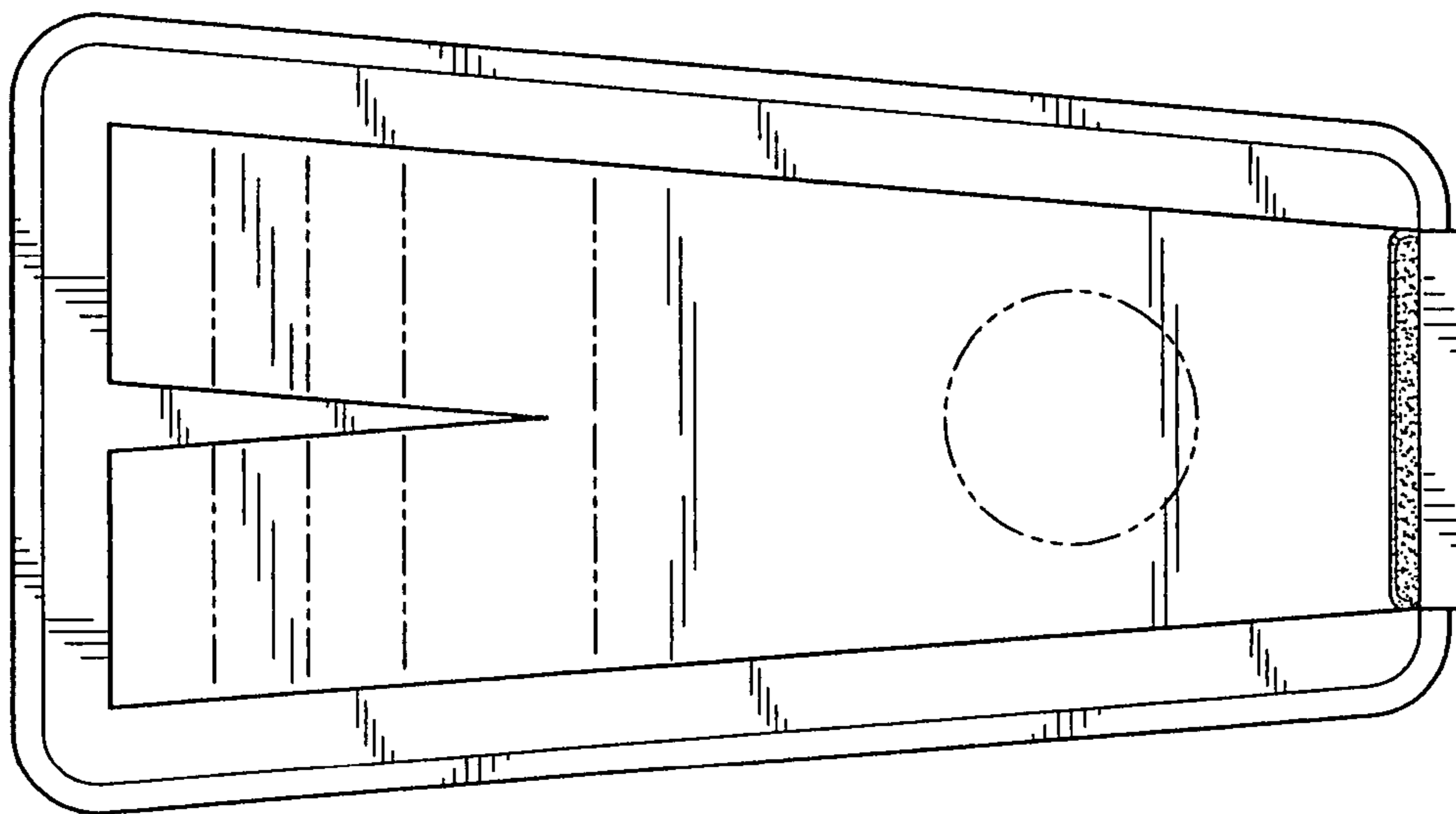


Fig-2

