

US00D562903S

(12) **United States Design Patent** (10) **Patent No.:** **US D562,903 S**
Lau (45) **Date of Patent:** **** Feb. 26, 2008**

(54) **INTEGRATED TABBED NOTE AND CLIP**

(76) Inventor: **Janet K. Lau**, 1937 Abreu Way, Union City, CA (US) 94587

(**) Term: **14 Years**

(21) Appl. No.: **29/275,691**

(22) Filed: **Jan. 4, 2007**

(51) **LOC (8) Cl.** **19-02**

(52) **U.S. Cl.** **D19/65**

(58) **Field of Classification Search** D6/515;
D7/686; D8/16; D19/1, 2, 5, 6, 34, 65, 86,
D19/90, 91, 99; D20/22, 40, 43; 24/67 R,
24/67.3, 67.5, 67.7, 67.9, 67.11, 545, 546,
24/547, 551, 552, 555; 40/300, 301, 302,
40/360, 384, 641, 651, 653, 658, 659, 666;
116/236, 237

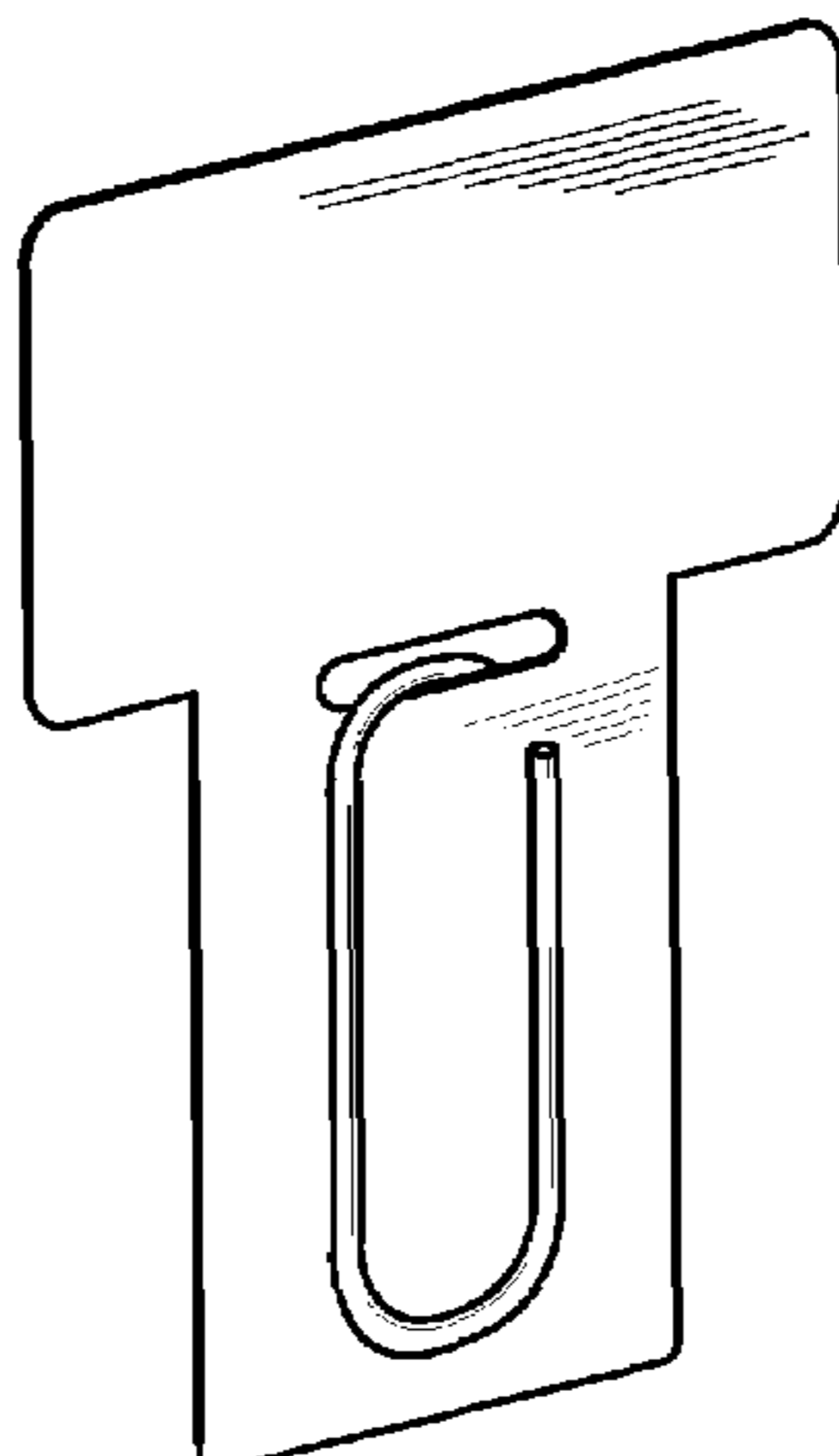
See application file for complete search history.

(56) **References Cited**

U.S. PATENT DOCUMENTS

332,327 A 12/1885 Clark
863,265 A 8/1907 Crouse
876,252 A 1/1908 Baker
962,397 A 6/1910 Whitmore
1,052,505 A 2/1913 Munger et al.
1,123,008 A 12/1914 Rice
1,158,940 A 11/1915 Litt et al.
1,178,113 A 4/1916 Turton et al.
D50,594 S 4/1917 Voges
1,345,365 A 7/1920 Hutchison
1,449,684 A * 3/1923 Long et al. 24/545
1,465,576 A 8/1923 Biggs
1,501,067 A 7/1924 Schaffert
1,524,478 A 1/1925 Hunter
1,543,295 A 6/1925 Parker
1,584,238 A * 5/1926 Menger 40/360
1,587,335 A 6/1926 Kline
1,661,165 A 3/1928 Cameron
1,778,031 A 10/1930 Kinch
1,802,980 A 4/1931 Marsh
1,826,580 A 10/1931 Spinney

1,840,604 A 1/1932 Randall
1,894,906 A 1/1933 Henry
1,914,671 A 6/1933 O'Neil
1,976,465 A 10/1934 Thomson
1,977,096 A 10/1934 Straubel
1,985,866 A 12/1934 Lankenau
1,997,894 A 4/1935 Woodley
2,008,019 A 7/1935 Horlick, Jr.
D97,328 S 10/1935 Glasser
2,118,043 A 5/1938 Goza
2,156,743 A 5/1939 Skrebba
2,186,508 A * 1/1940 Tremmel 40/659
2,314,578 A * 3/1943 Erb 283/42
2,323,552 A 7/1943 Marion
D136,639 S 11/1943 Hoffman
2,362,445 A 11/1944 Blodgett
2,415,248 A 2/1947 Kenna et al.
2,420,021 A 5/1947 Straubel
2,623,311 A 12/1952 Condon
2,674,972 A 4/1954 Luther
3,073,046 A 1/1963 Condon
3,123,924 A 3/1964 Roberts
3,144,507 A * 8/1964 Scadron 174/84 R
3,225,469 A 12/1965 Chase
3,290,810 A 12/1966 Morena
3,360,877 A 1/1968 Estep
3,913,181 A * 10/1975 Walker 24/67.9
3,934,368 A 1/1976 Fearing
D241,342 S 9/1976 Carroll
4,019,759 A * 4/1977 Stanton 283/42
4,300,268 A * 11/1981 Wilson 24/67 R
D263,243 S 3/1982 Creamer
D268,848 S 5/1983 Lorber
4,384,417 A 5/1983 Thompson
4,425,724 A 1/1984 Scott
4,597,139 A * 7/1986 Lau 24/546
4,646,455 A 3/1987 Gardner
4,691,458 A 9/1987 Scott
D304,958 S * 12/1989 Gutierrez D19/65
D305,036 S 12/1989 Voetsch
4,918,789 A * 4/1990 Chen et al. 24/67.9
4,951,408 A 8/1990 Banks
D314,012 S 1/1991 Klodt
5,067,205 A * 11/1991 Chen et al. 24/67.9
5,199,203 A 4/1993 Jones
5,319,835 A * 6/1994 Chao 24/67.9
5,329,672 A * 7/1994 Froehlich et al. 24/67.9
5,481,784 A 1/1996 Sinaiko
D368,487 S 4/1996 Lindberg



4,878,302	A	4/1996	Kiera	
5,535,486	A *	7/1996	Cabili	24/67.9
5,553,854	A *	9/1996	Rum	273/275
D383,789	S	9/1997	Shyu	
5,695,219	A	12/1997	Crawford	
5,870,802	A *	2/1999	Goldman	24/67.9
5,887,900	A *	3/1999	Raymond	281/22
5,996,130	A	12/1999	Verhines	
6,427,293	B1 *	8/2002	Bowes, Jr.	24/304
D465,525	S	11/2002	Dilday	
D480,754	S	10/2003	Berger	
D520,065	S	5/2006	Doyle	
D541,346	S *	4/2007	Lau	D19/65
2004/0064920	A1 *	4/2004	Arduini	24/67.9
2005/0217078	A1	10/2005	Groch et al.	
2006/0000133	A1	1/2006	Windorski	
2007/0017068	A1 *	1/2007	Wang	24/67.9
2007/0067966	A1 *	3/2007	Flores	24/67.3

FOREIGN PATENT DOCUMENTS

JP	09-071065	A	3/1997
JP	2001-353992	A	12/2001

* cited by examiner

Primary Examiner—Cathron C. Brooks
 Assistant Examiner—Austin Murphy
 (74) Attorney, Agent, or Firm—Aka Chan LLP

(57) CLAIM

The ornamental design for an integrated tabbed note and clip, as shown and described.

DESCRIPTION

FIG. 1 shows a perspective view of a first embodiment of a design for an integrated tabbed note and clip.

FIG. 2 shows a front view of the first embodiment.

FIG. 3 shows a right-side view of the first embodiment. A left-side view of this embodiment is a mirror image of this figure.

FIG. 4 shows a back view of the first embodiment.

FIG. 5 shows a top view of the first embodiment.

FIG. 6 shows a bottom view of the first embodiment.

FIG. 7 shows a perspective view of a second embodiment.

FIG. 8 shows a front view of the second embodiment.

FIG. 9 shows a right-side view of the second embodiment. A left-side view of this embodiment is a mirror image of this figure.

FIG. 10 shows a back view of the second embodiment.

FIG. 11 shows a top view of the second embodiment.

FIG. 12 shows a bottom view of the second embodiment.

FIG. 13 shows a perspective view of a third embodiment.

FIG. 14 shows a front view of the third embodiment.

FIG. 15 shows a right-side view of the third embodiment. A left-side view of this embodiment is a mirror image of this figure.

FIG. 16 shows a back view of the third embodiment.

FIG. 17 shows a top view of the third embodiment.

FIG. 18 shows a bottom view of the third embodiment.

FIG. 19 shows a perspective view of a fourth embodiment.

FIG. 20 shows a front view of the fourth embodiment.

FIG. 21 shows a right-side view of the fourth embodiment. A left-side view of this embodiment is a mirror image of this figure.

FIG. 22 shows a back view of the fourth embodiment.

FIG. 23 shows a top view of the fourth embodiment.

FIG. 24 shows a bottom view of the fourth embodiment.

FIG. 25 shows a perspective view of a fifth embodiment.

FIG. 26 shows a front view of the fifth embodiment.

FIG. 27 shows a right-side view of the fifth embodiment. A left-side view of this embodiment is a mirror image of this figure.

FIG. 28 shows a back view of the fifth embodiment.

FIG. 29 shows a top view of the fifth embodiment.

FIG. 30 shows a bottom view of the fifth embodiment.

FIG. 31 shows a perspective view of a sixth embodiment.

FIG. 32 shows a front view of the sixth embodiment.

FIG. 33 shows a right-side view of the sixth embodiment. A left-side view of this embodiment is a mirror image of this figure.

FIG. 34 shows a back view of the sixth embodiment.

FIG. 35 shows a top view of the sixth embodiment; and,

FIG. 36 shows a bottom view of the sixth embodiment.

1 Claim, 6 Drawing Sheets

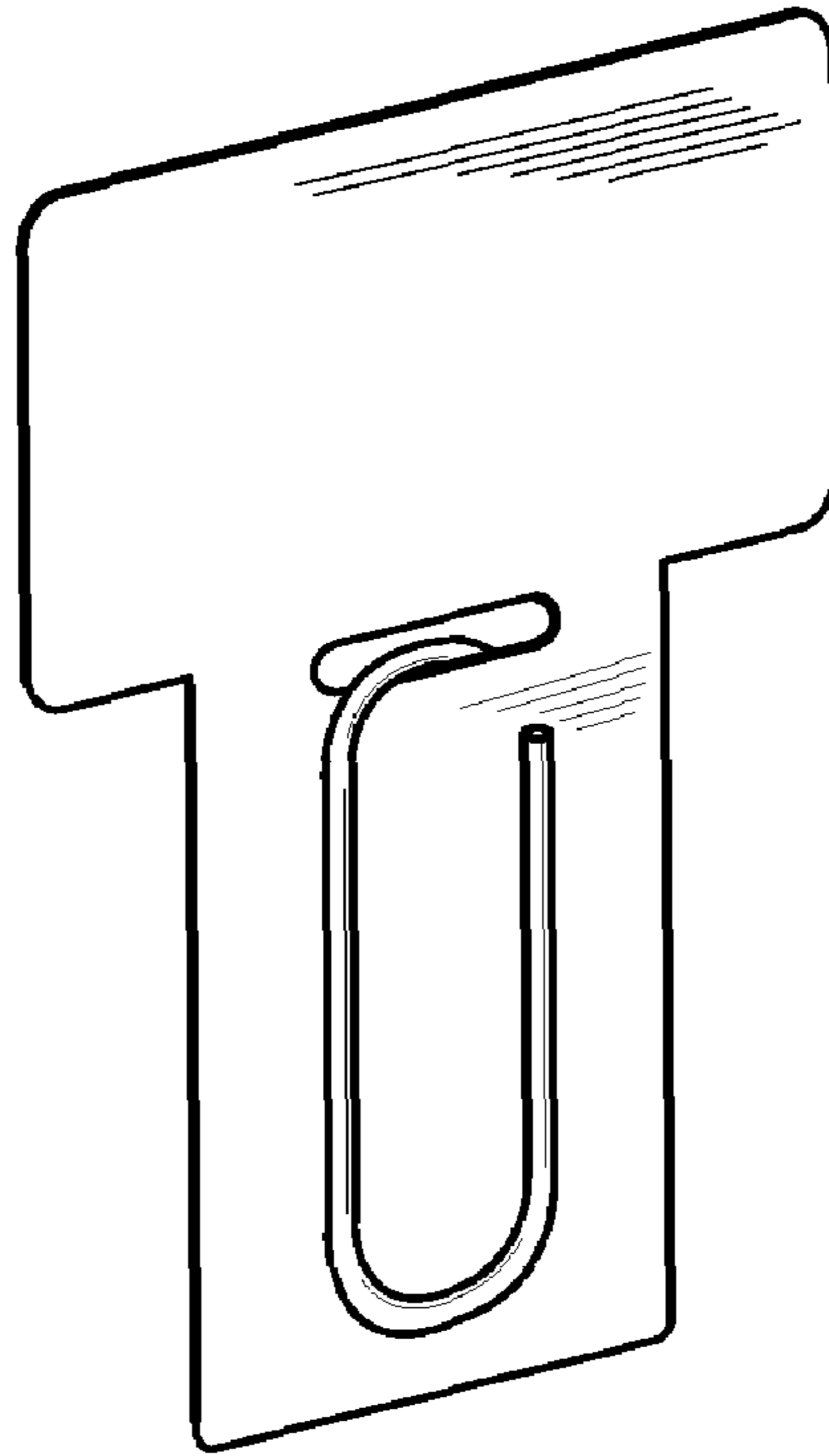


FIG. 1



FIG. 5



FIG. 6

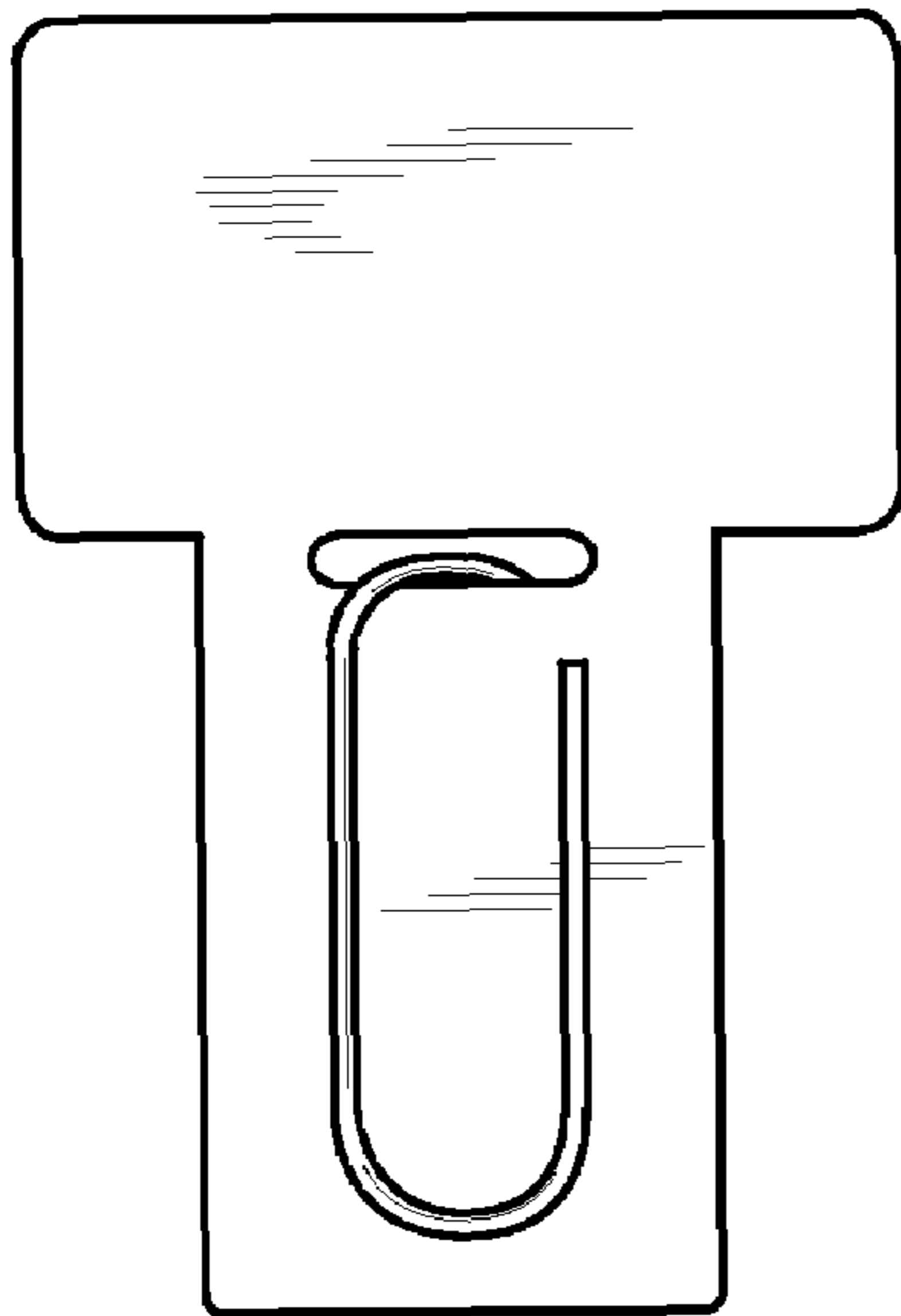


FIG. 2



FIG. 3

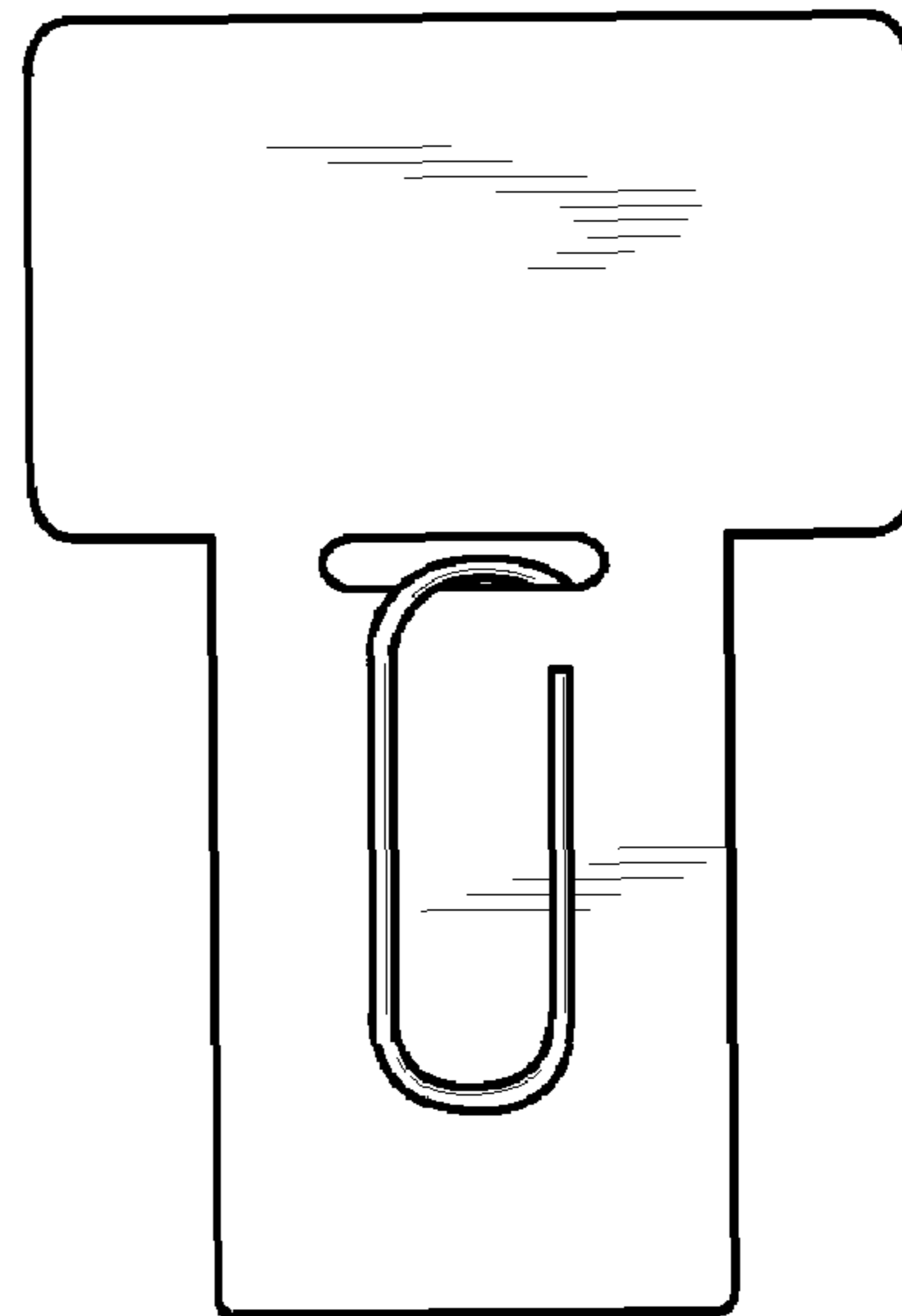


FIG. 4

FIG. 7

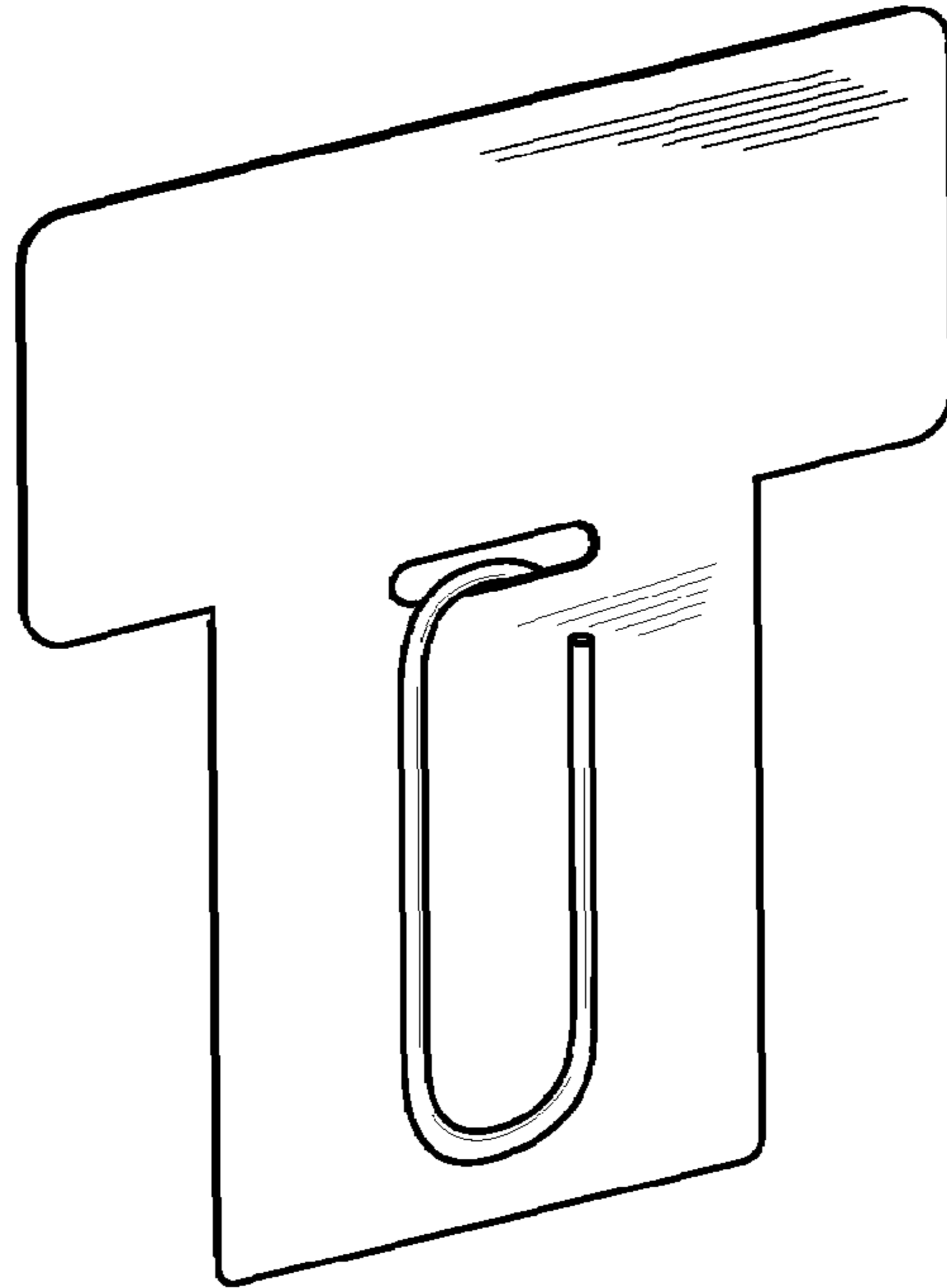


FIG. 11



FIG. 12

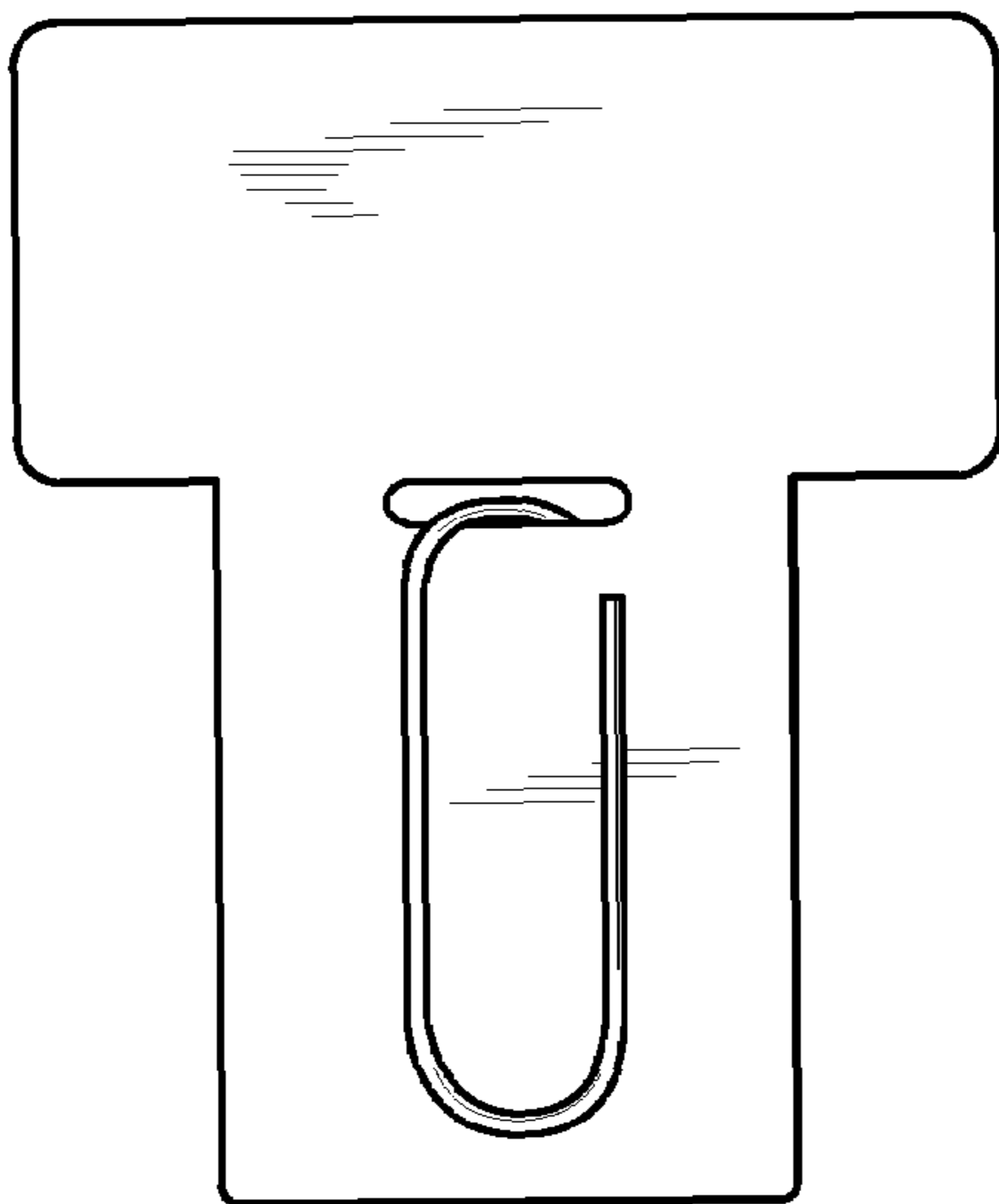
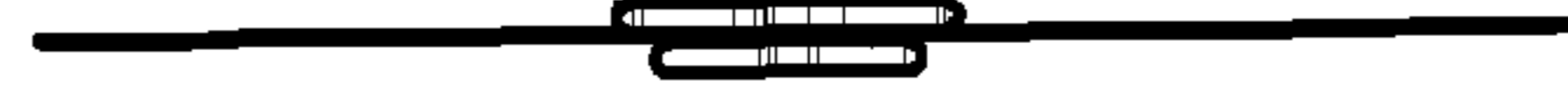


FIG. 8



FIG. 9

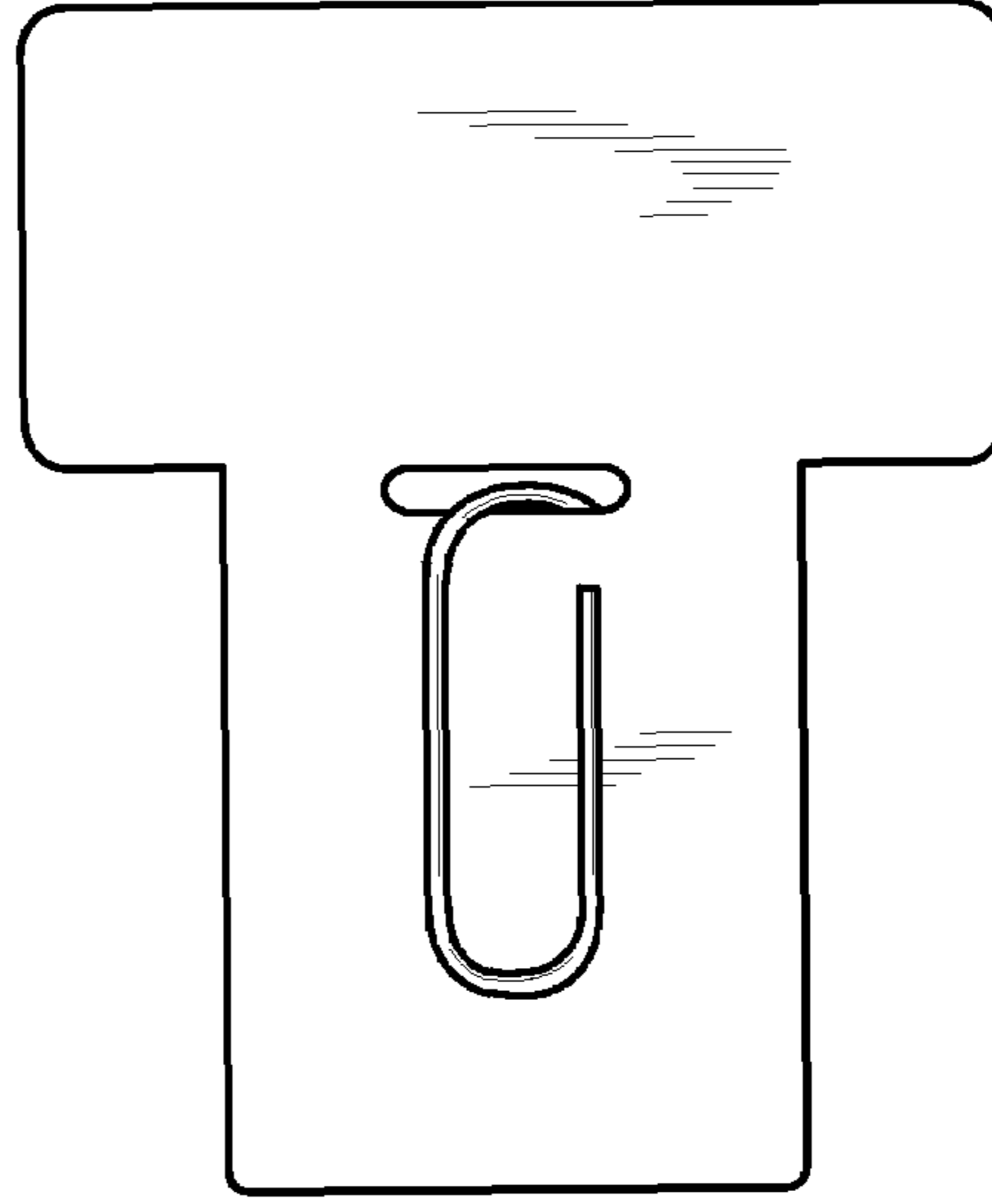


FIG. 10

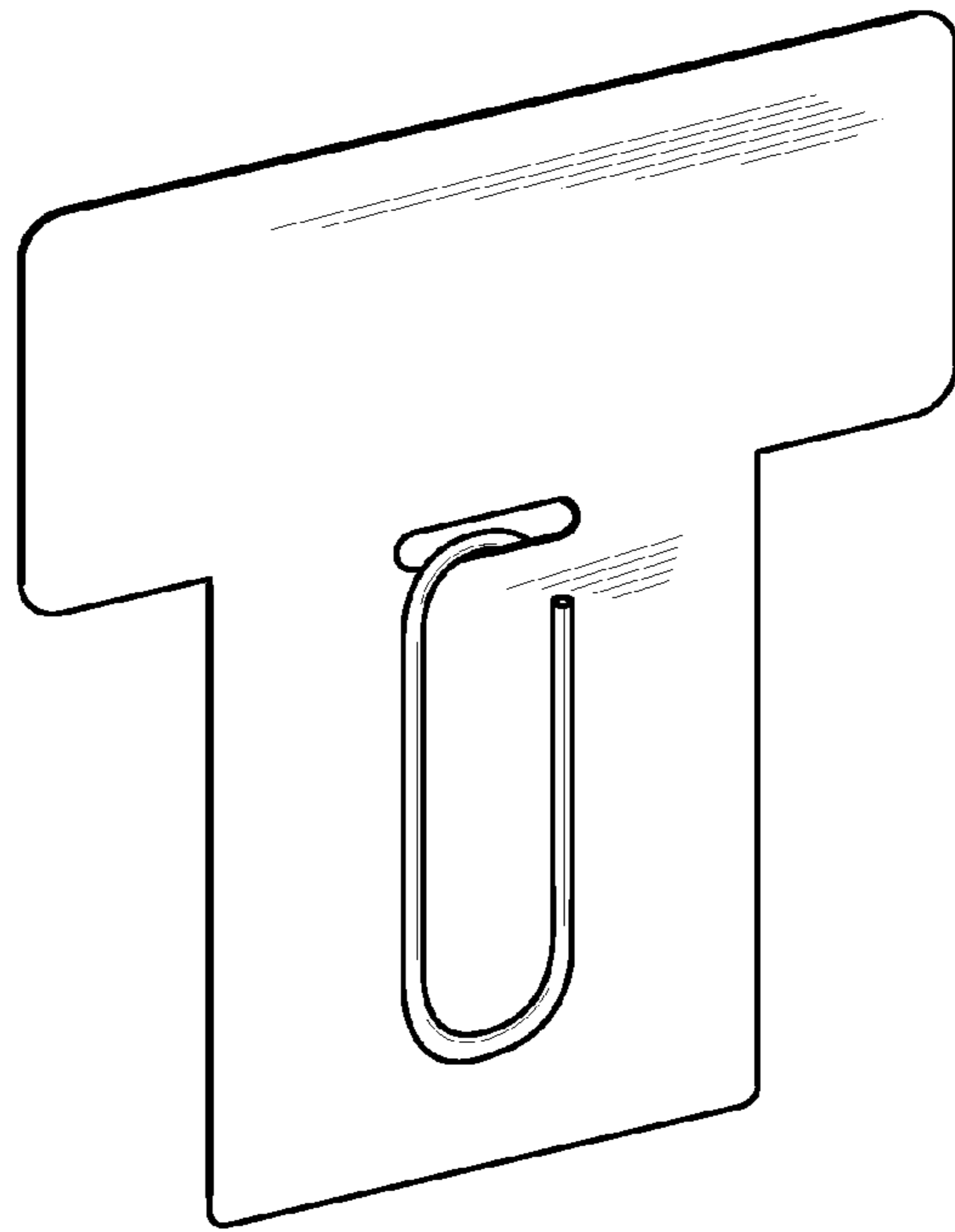


FIG. 13



FIG. 17



FIG. 18

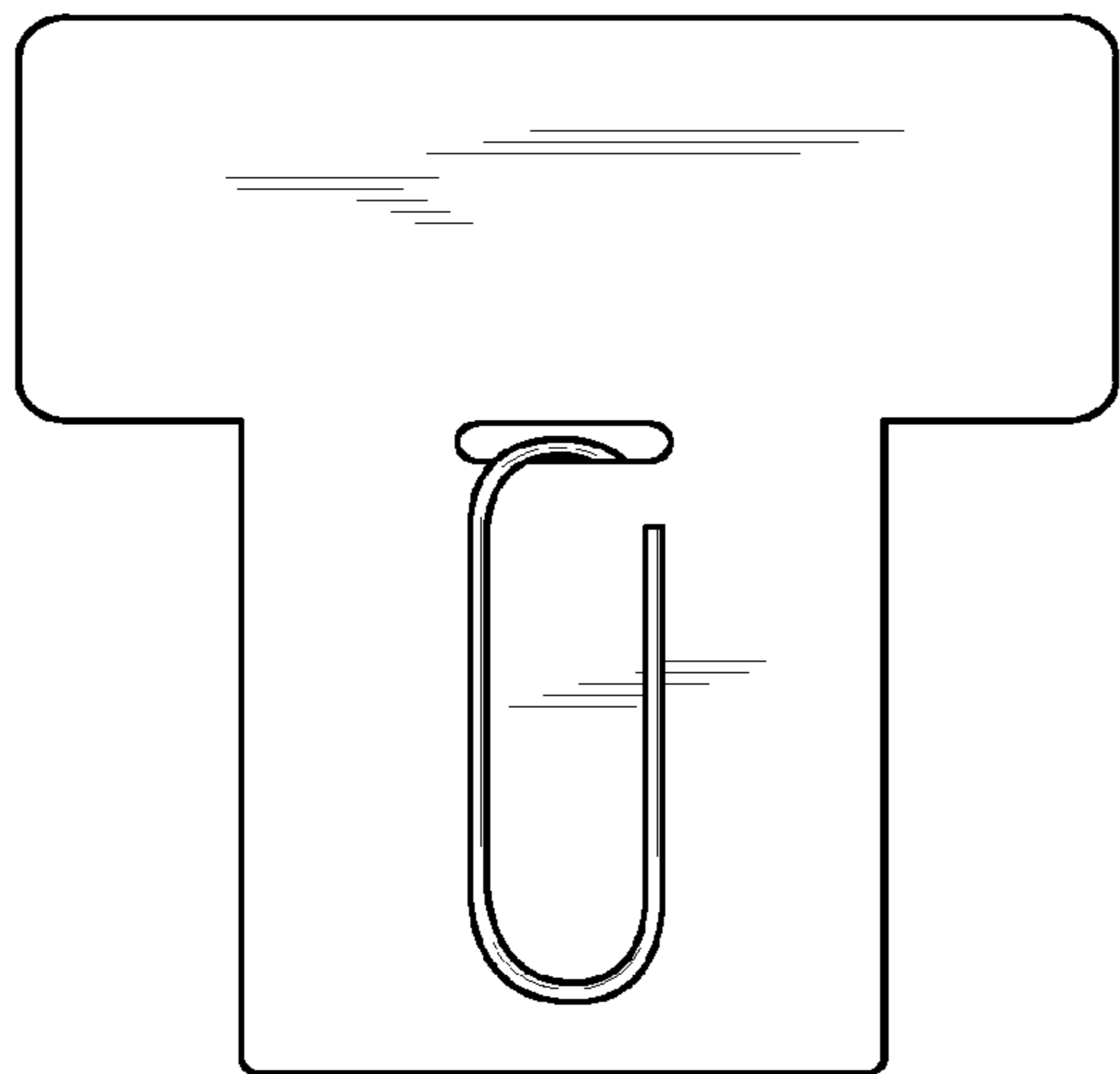


FIG. 14



FIG. 15

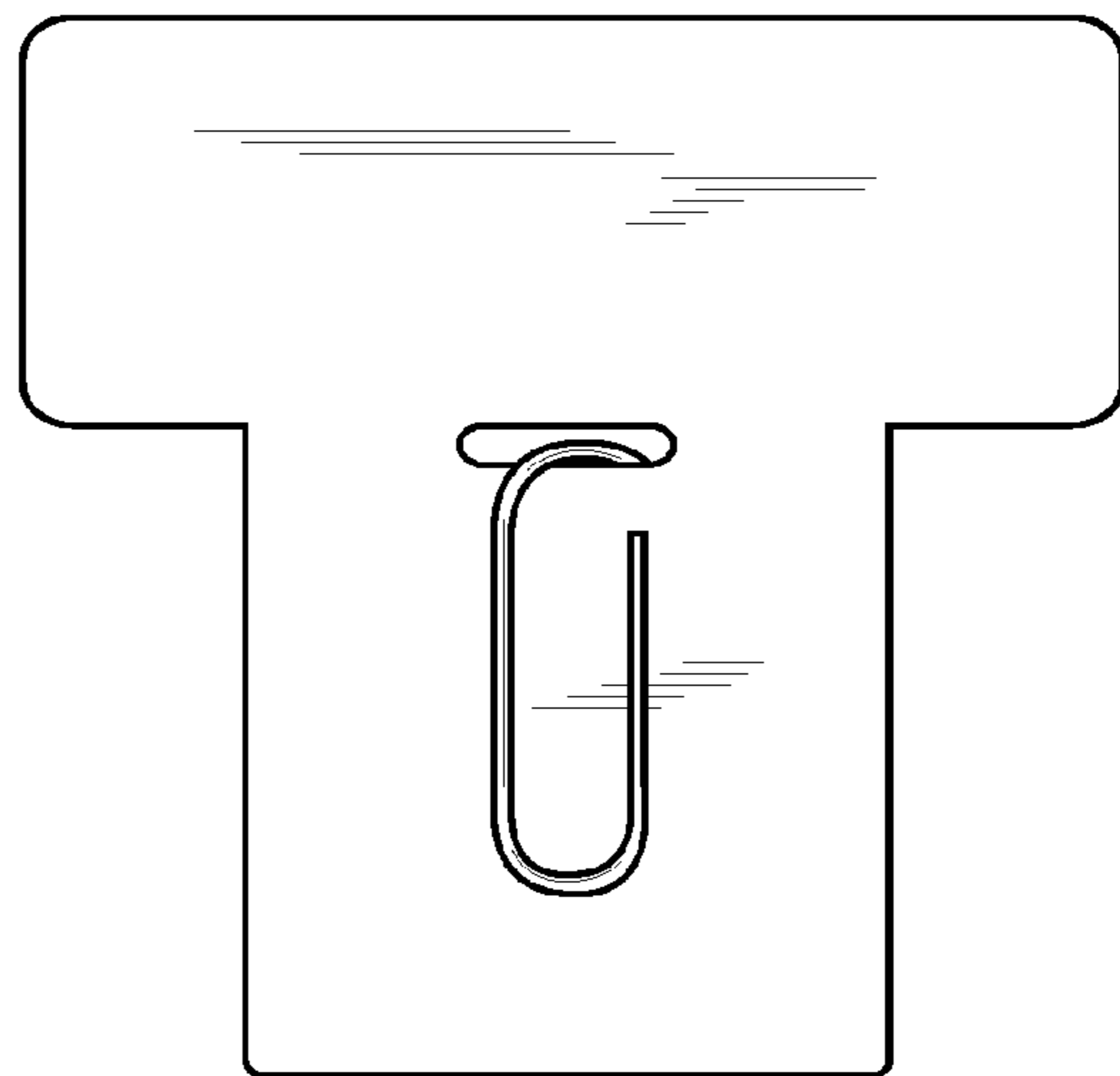


FIG. 16

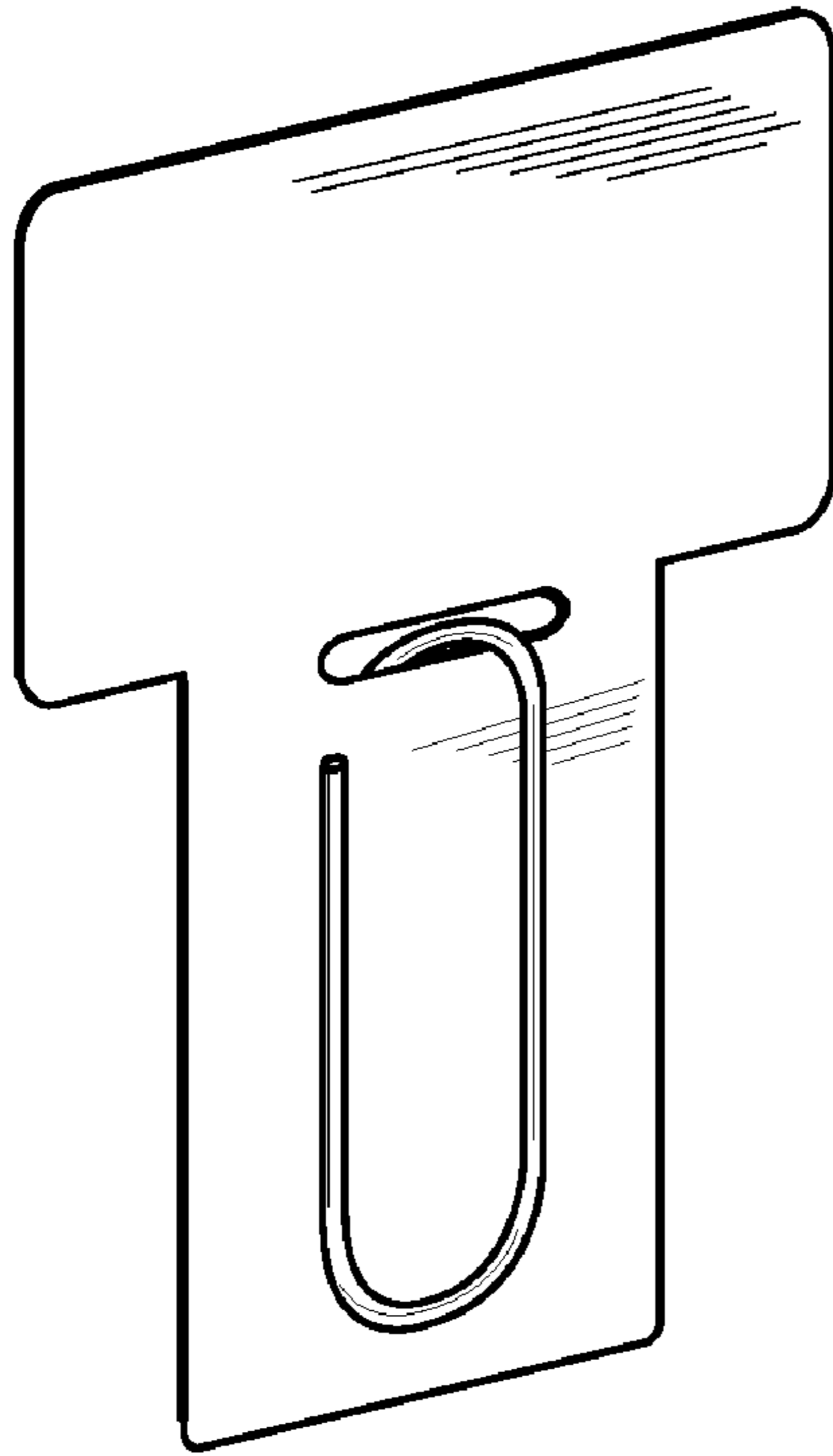


FIG. 19



FIG. 23

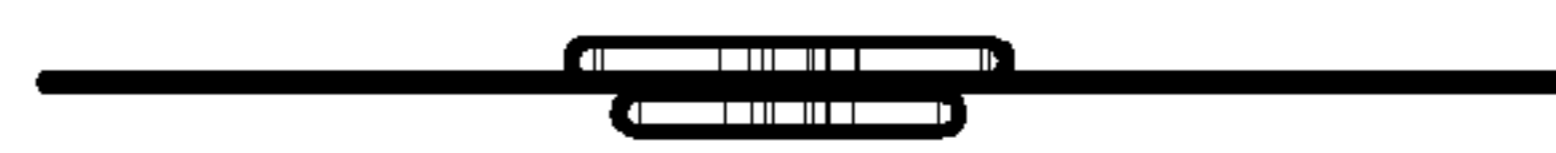


FIG. 24

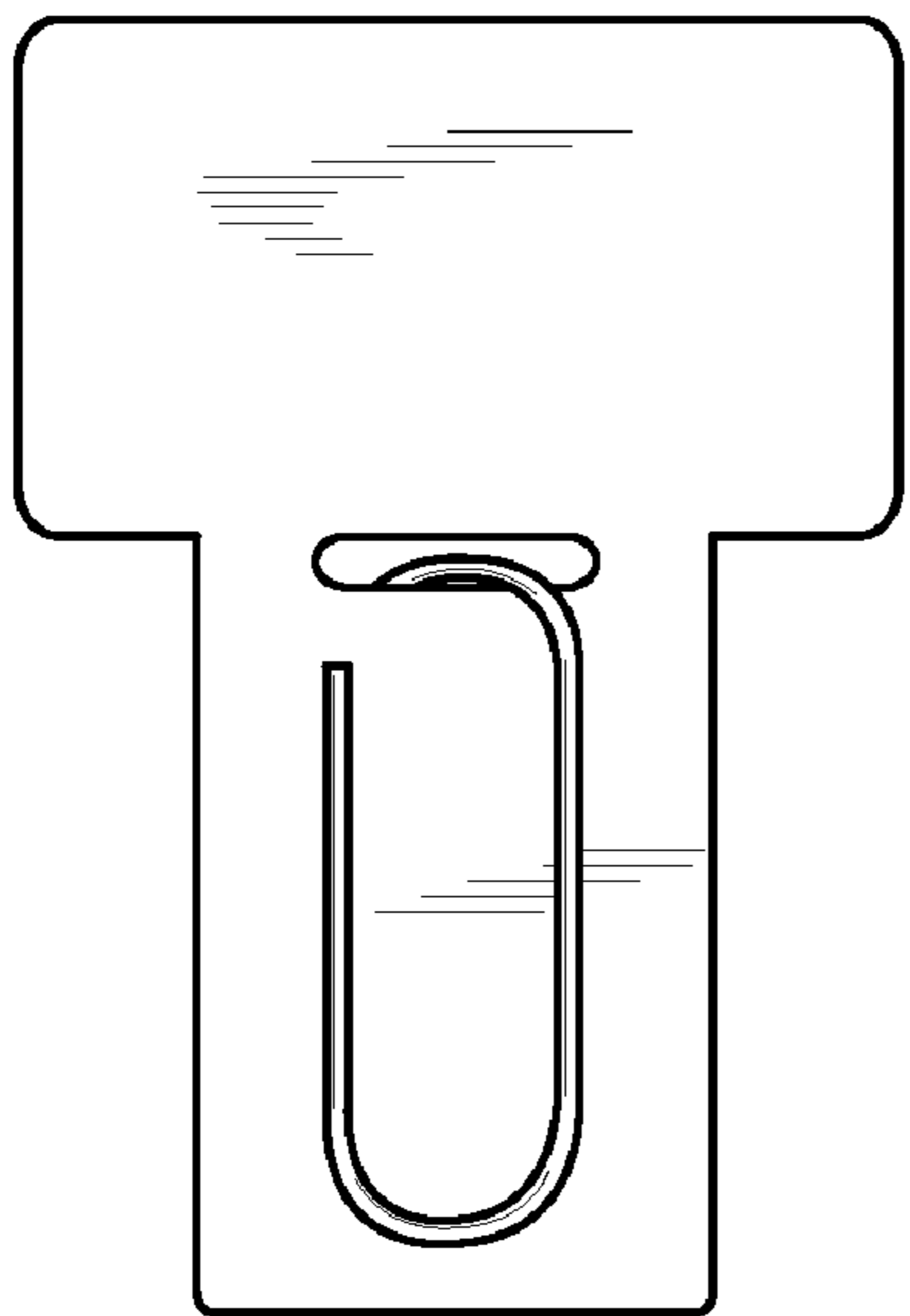


FIG. 20



FIG. 21

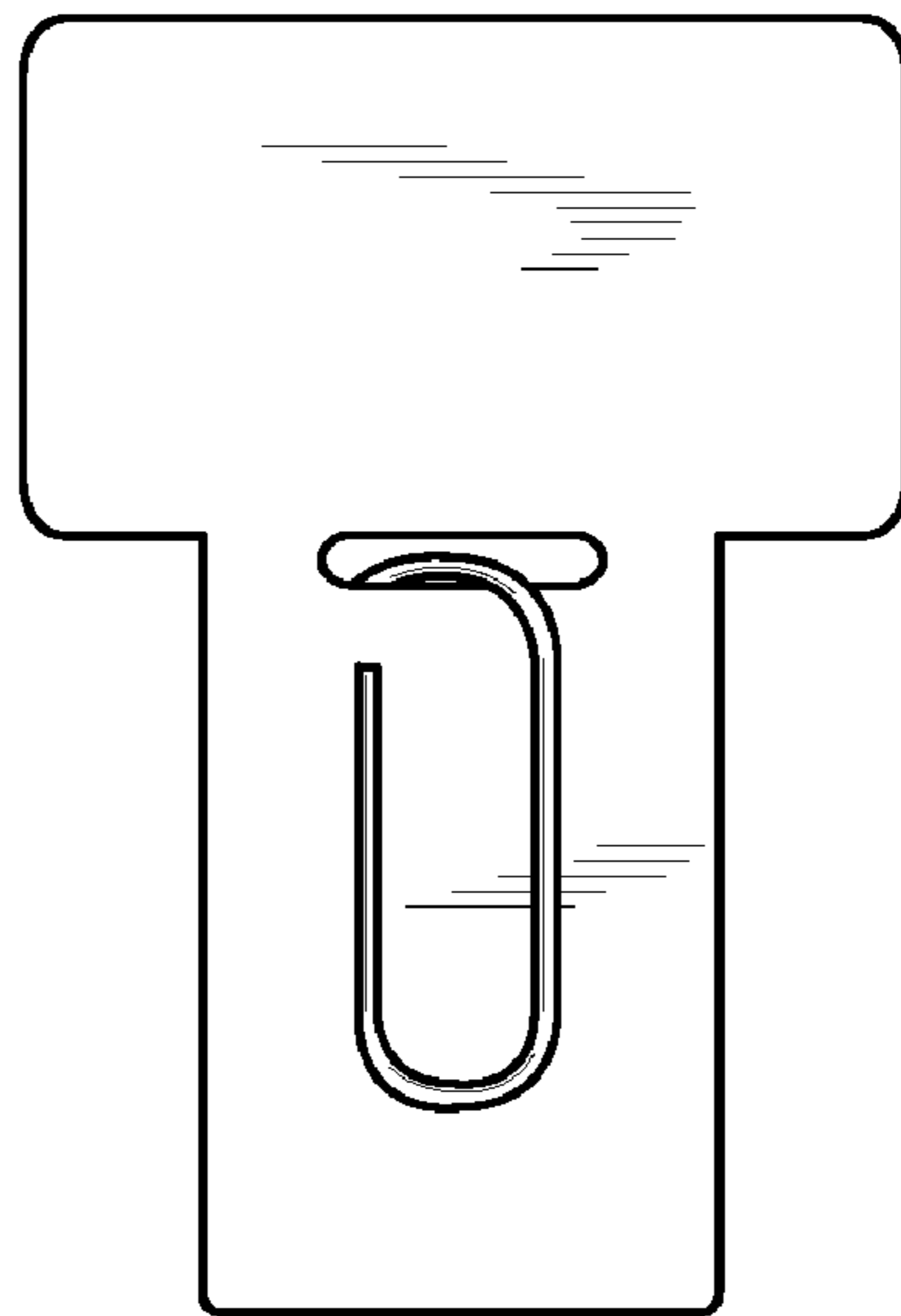


FIG. 22

FIG. 25

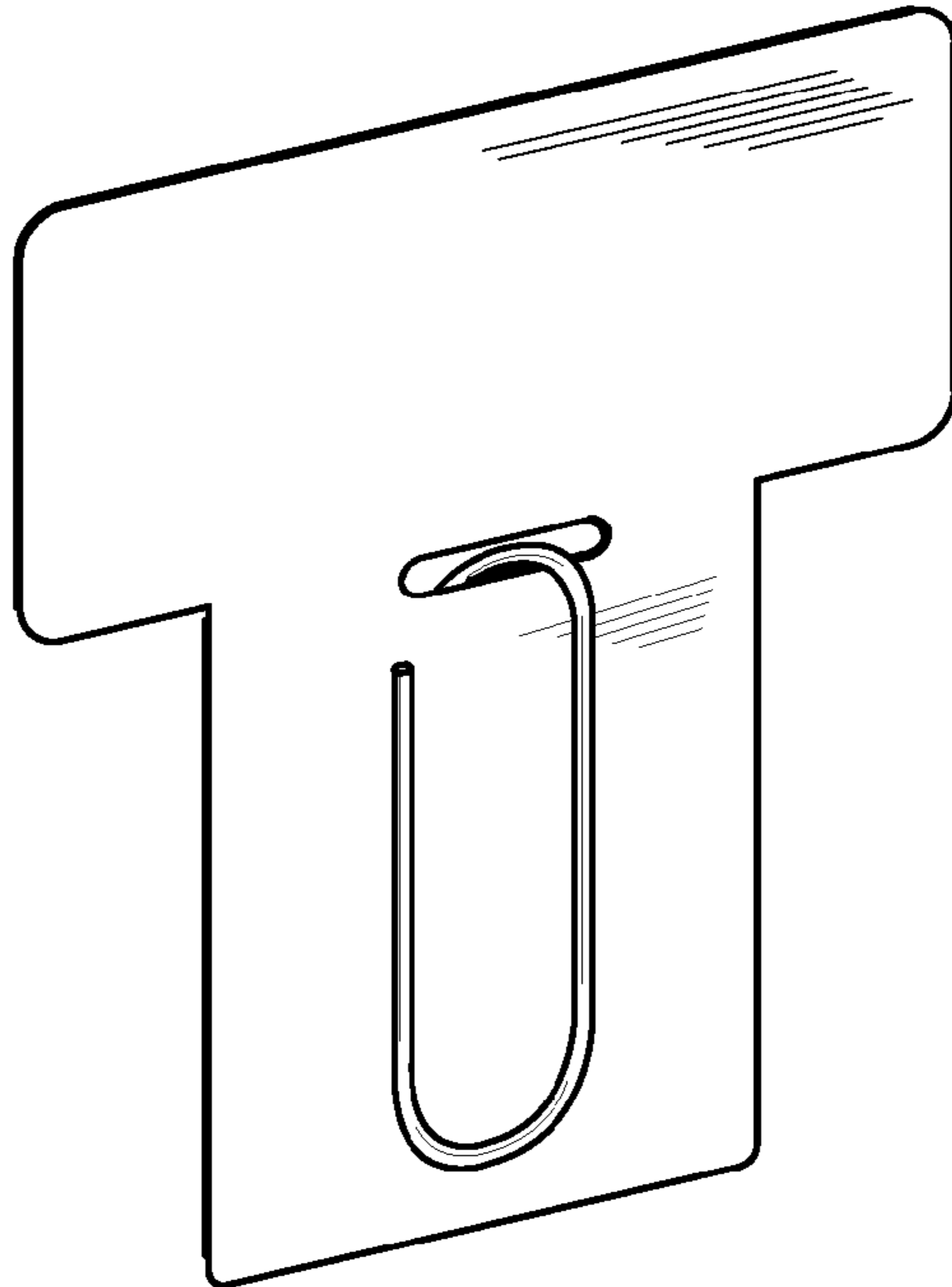


FIG. 29



FIG. 30

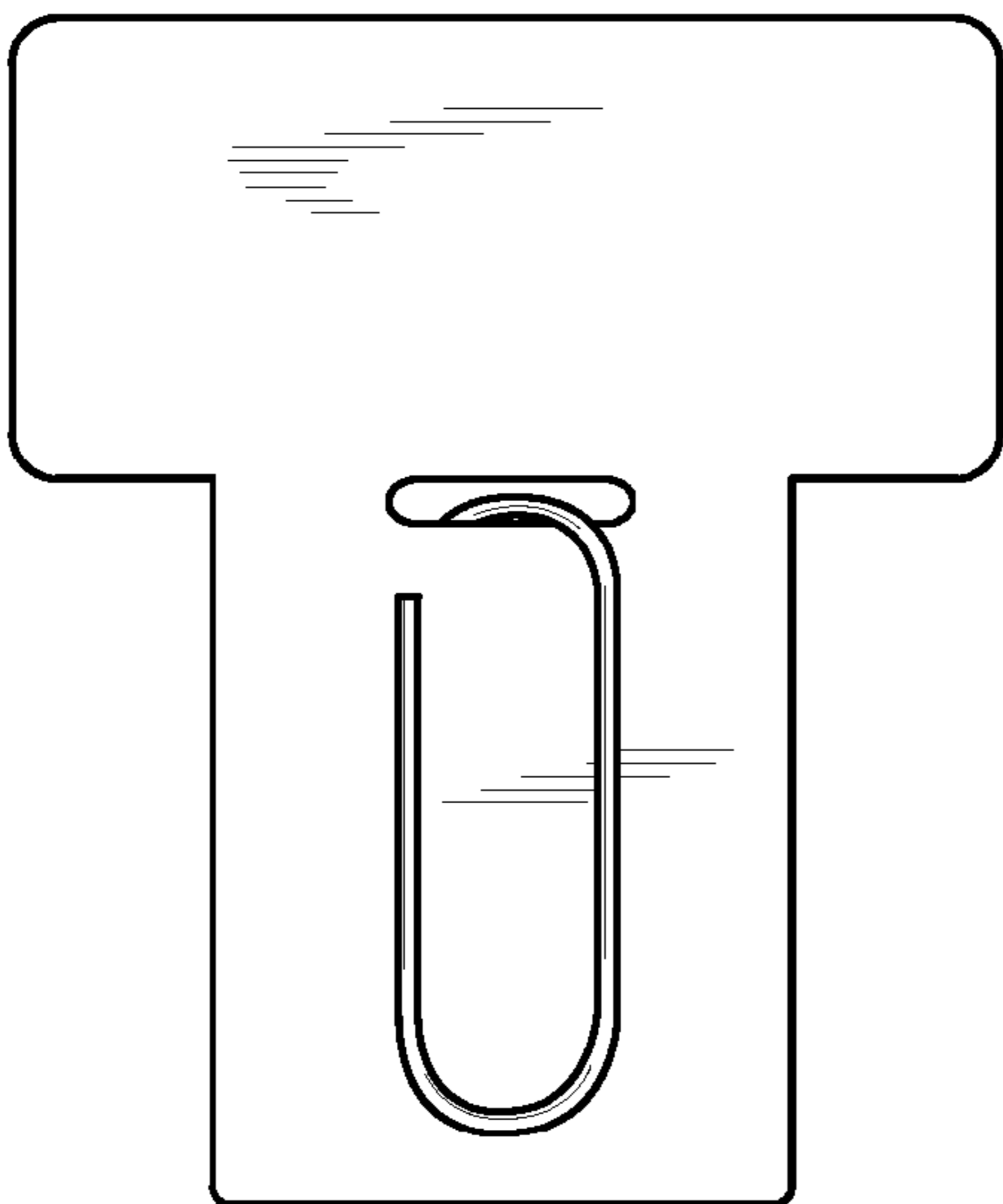


FIG. 26



FIG. 27

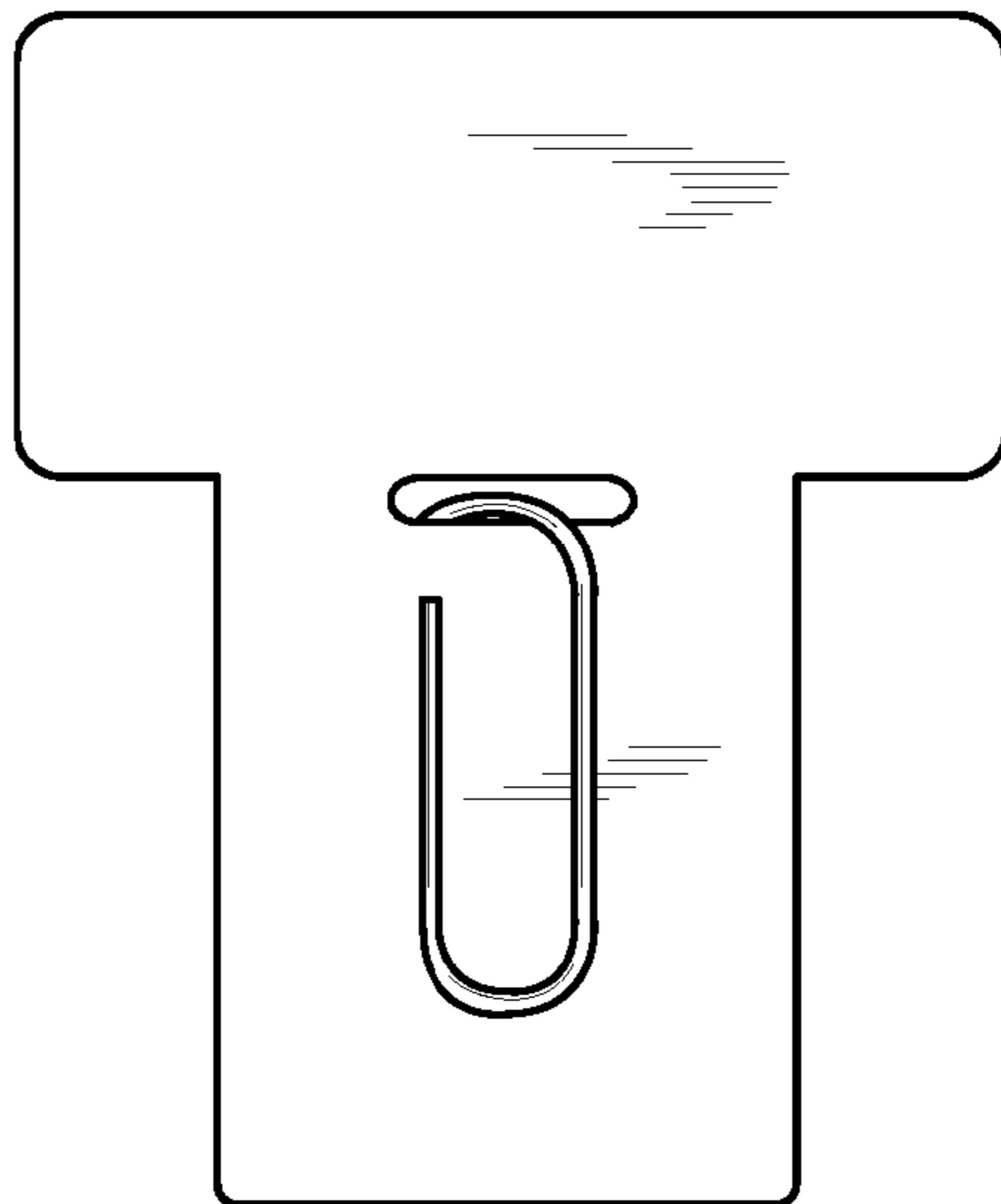


FIG. 28

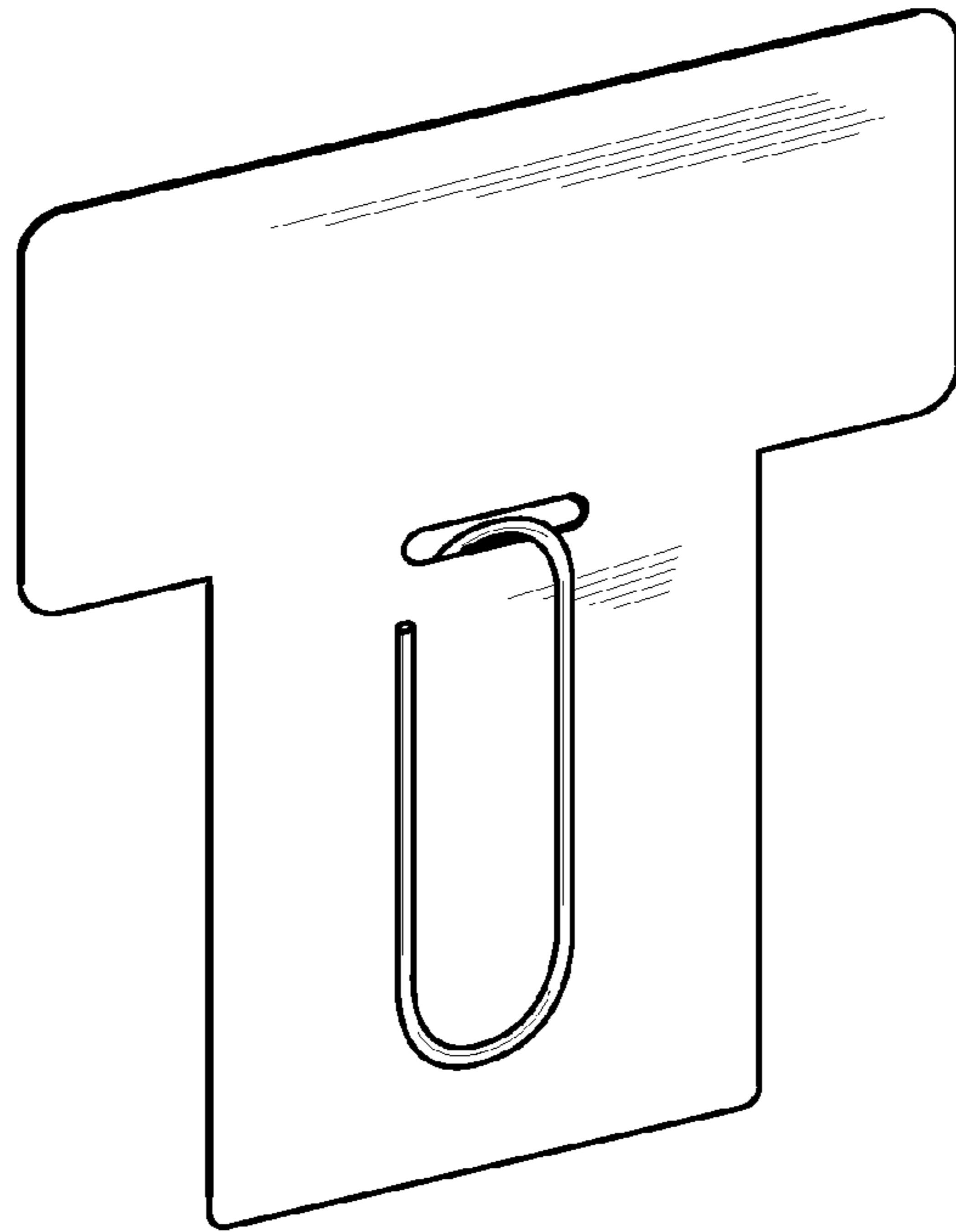


FIG. 31



FIG. 35



FIG. 36

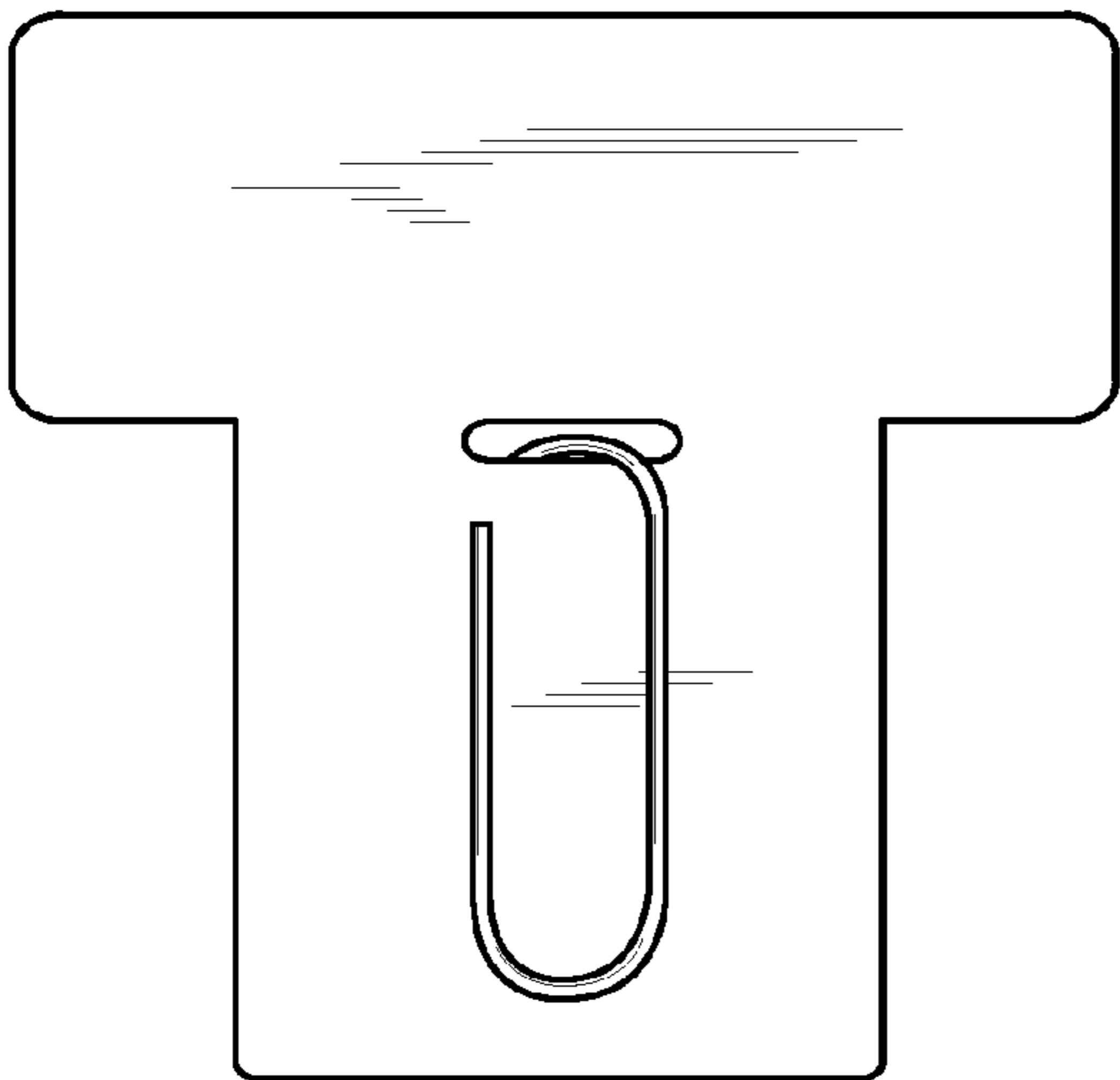


FIG. 32



FIG. 33

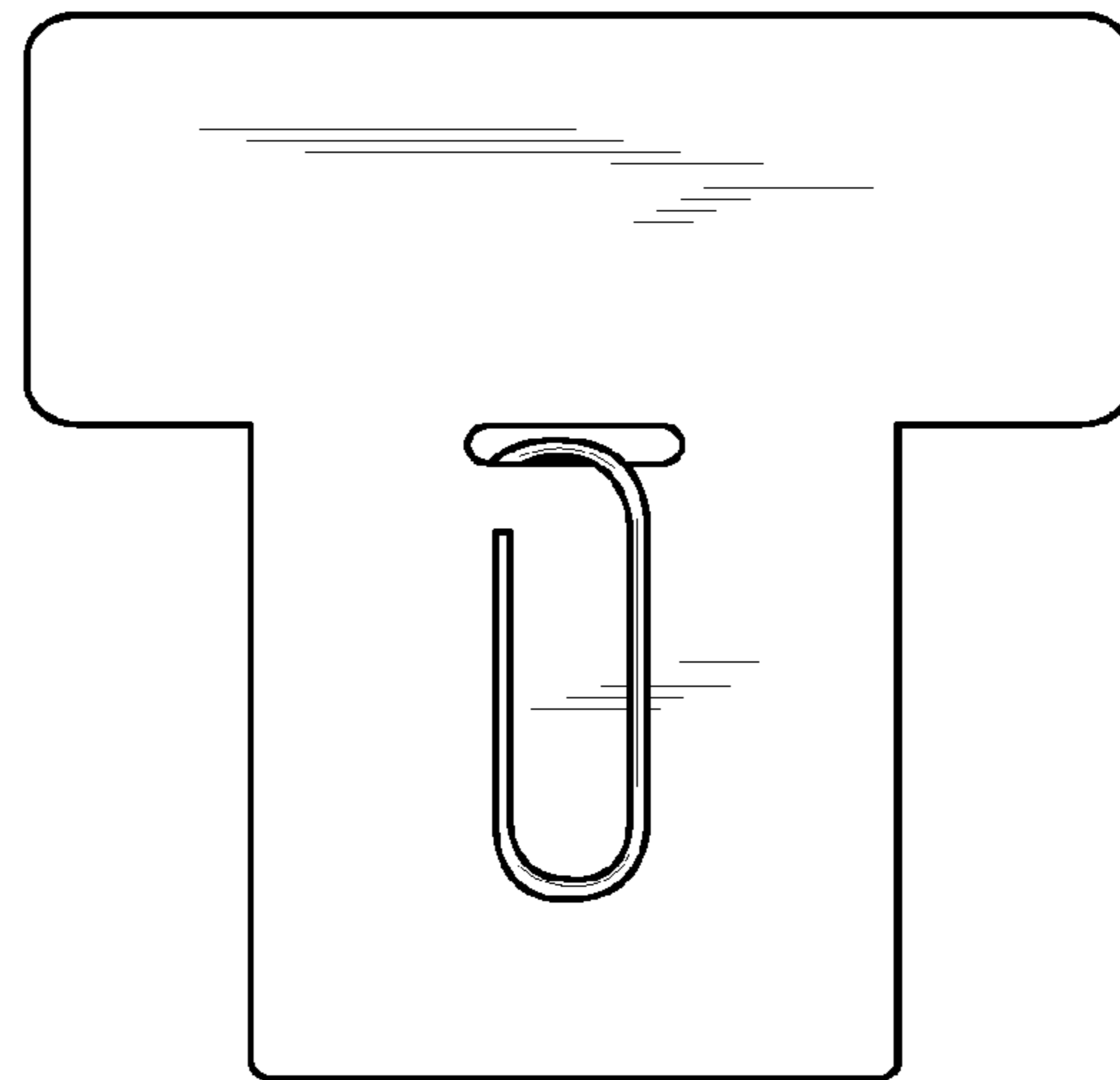


FIG. 34