

US00D562896S

(12) **United States Design Patent** (10) **Patent No.:** **US D562,896 S**  
**Delaney** (45) **Date of Patent:** **\*\* Feb. 26, 2008**

- (54) **PEN**
  - (75) Inventor: **John Delaney**, Greensboro, NC (US)
  - (73) Assignee: **Genuity Concepts, Inc.**, Greensboro, NC (US)
  - (\*\*) Term: **14 Years**
  - (21) Appl. No.: **29/275,370**
  - (22) Filed: **Dec. 21, 2006**
  - (51) **LOC (8) Cl.** ..... **19-06**
  - (52) **U.S. Cl.** ..... **D19/51**
  - (58) **Field of Classification Search** ..... D19/35, D19/36, 41-51, 53-57; 24/11 R, 11 F, 11 P; 401/52, 99, 100, 104, 105, 106, 107, 108, 401/109, 192, 195, 196
- See application file for complete search history.

(56) **References Cited**

**U.S. PATENT DOCUMENTS**

1,406,378	A *	2/1922	Hasselquist	.....	24/11 F
1,465,957	A *	8/1923	Wahl	.....	24/11 F
2,330,281	A *	9/1943	Hasselquist et al.	.....	24/11 F
2,467,608	A *	4/1949	Bischof	.....	401/52
D368,738	S *	4/1996	Osada et al.	.....	D19/51
D436,624	S *	1/2001	Zier	.....	D19/48
D450,347	S *	11/2001	Keda	.....	D19/51
D488,509	S *	4/2004	Pellissa Beneyto	.....	D19/51
D552,681	S *	10/2007	Koch	.....	D19/51

**FOREIGN PATENT DOCUMENTS**

DE	DM/067556	*	2/2006	.....	19/6
----	-----------	---	--------	-------	------

\* cited by examiner

*Primary Examiner*—Elizabeth A. Albert  
(74) *Attorney, Agent, or Firm*—The Soni Law Firm

(57) **CLAIM**

The ornamental design for a pen, as shown and described.

**DESCRIPTION**

FIG. 1 is a front side perspective view of my new design with the phantom lines depicting environmental structure and forming no part of the claimed design;

FIG. 2 is a front elevational view thereof with the phantom lines depicting environmental structure and forming no part of the claimed design;

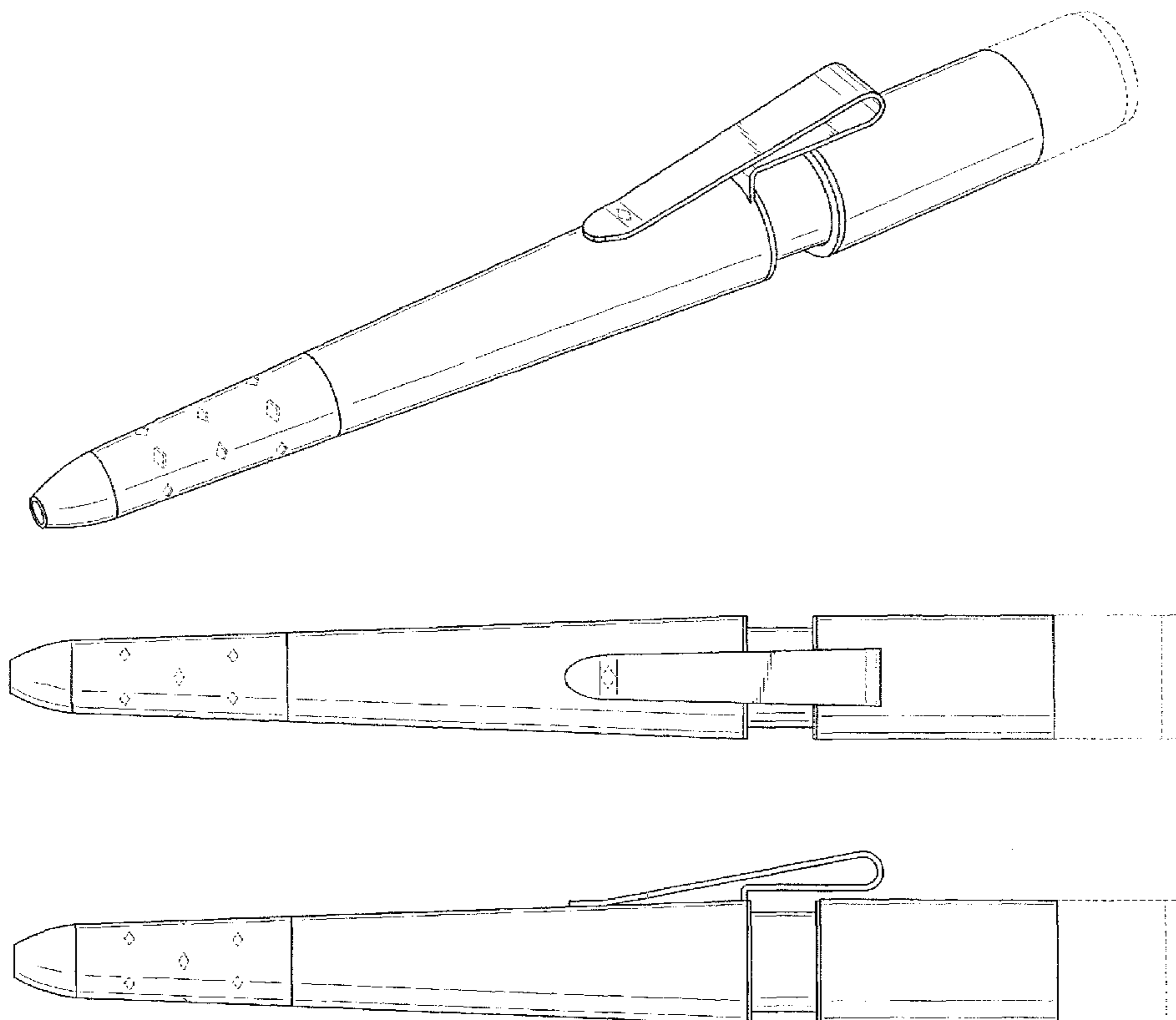
FIG. 3 is a right side elevational view thereof which is a mirror image of the left side thereof with the phantom lines depicting environmental structure and forming no part of the claimed design;

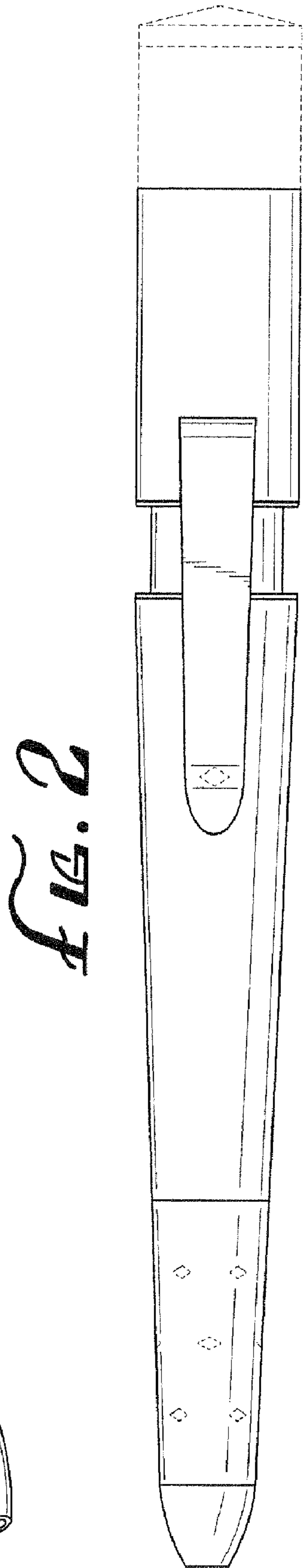
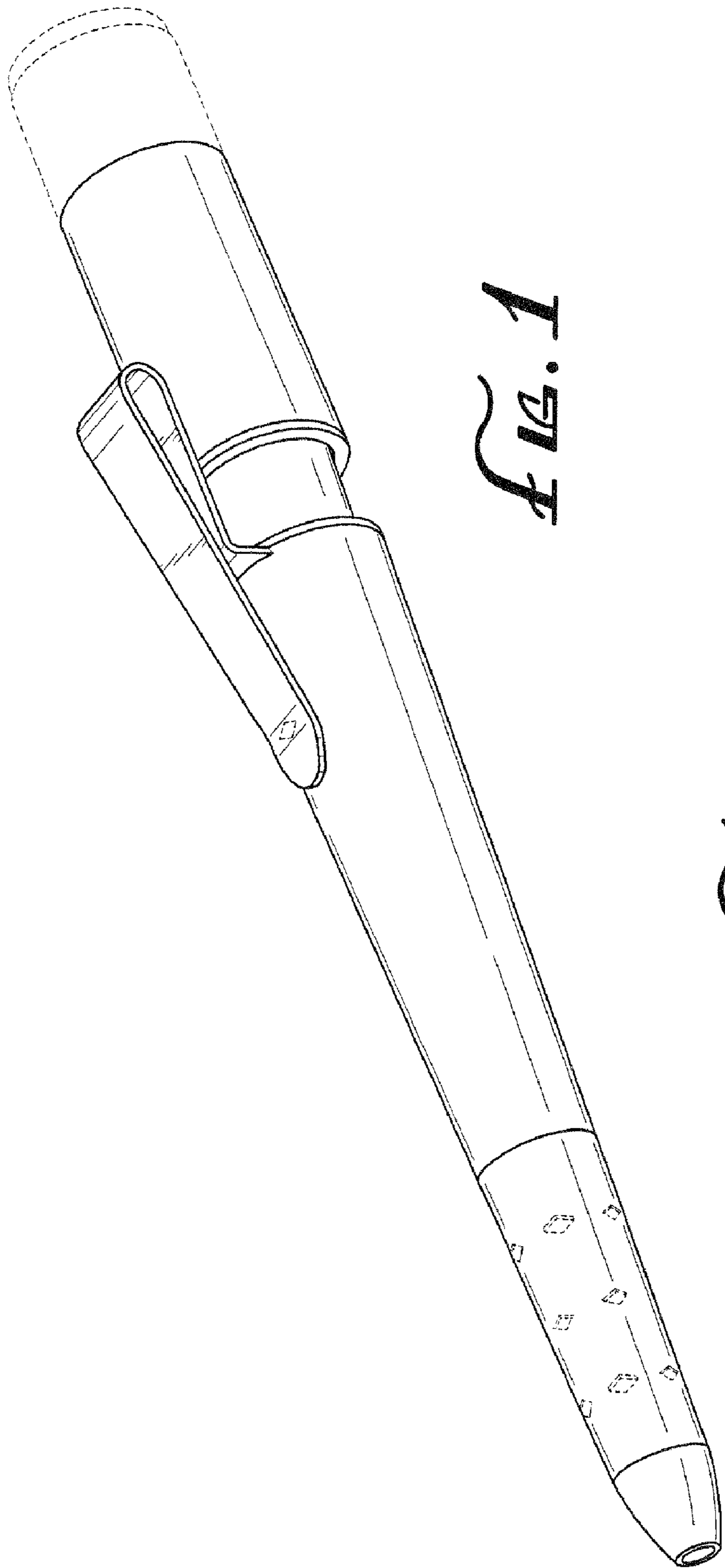
FIG. 4 is a back elevational view thereof with the phantom lines depicting environmental structure and forming no part of the claimed design;

FIG. 5 is a top plan view thereof; and,

FIG. 6 is a bottom plan view thereof with the phantom lines depicting environmental structure and forming no part of the claimed design.

**1 Claim, 2 Drawing Sheets**





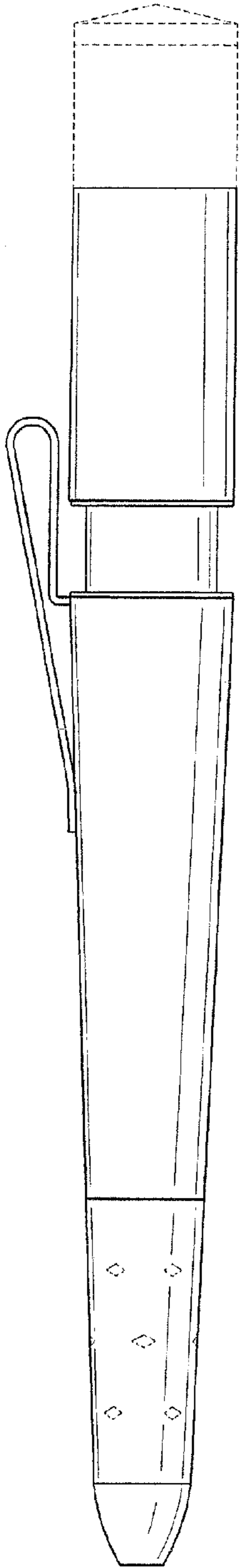


FIG. 3

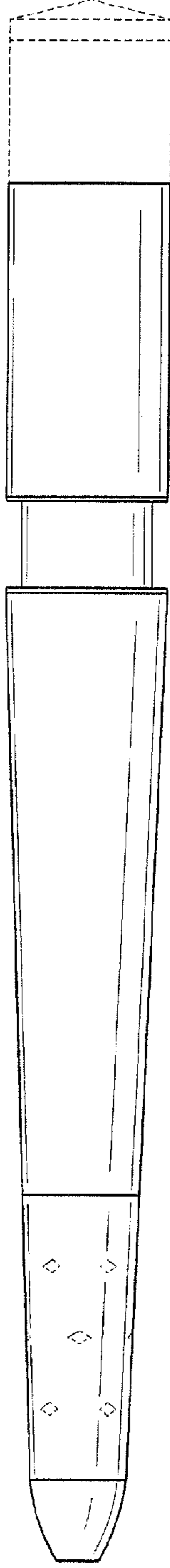


FIG. 4

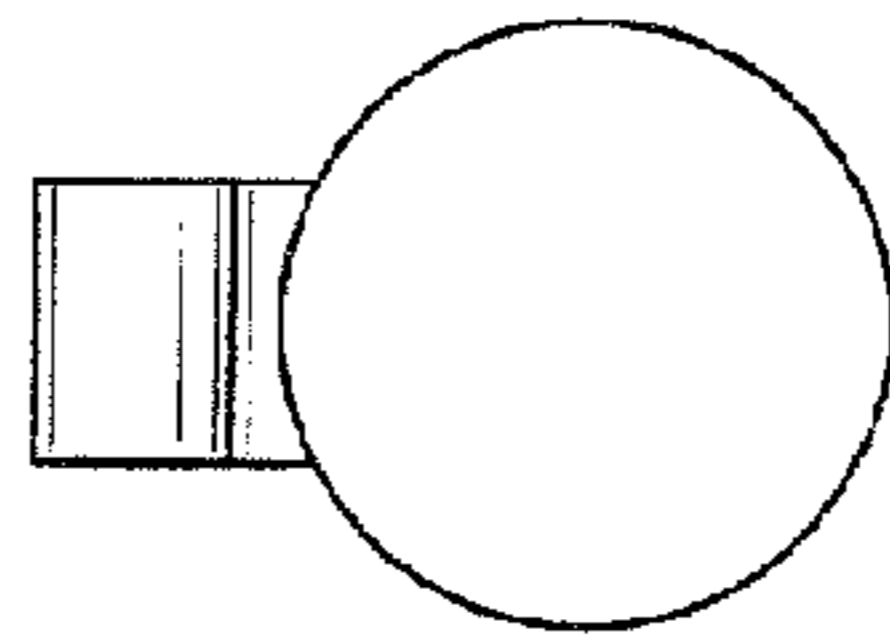


FIG. 5

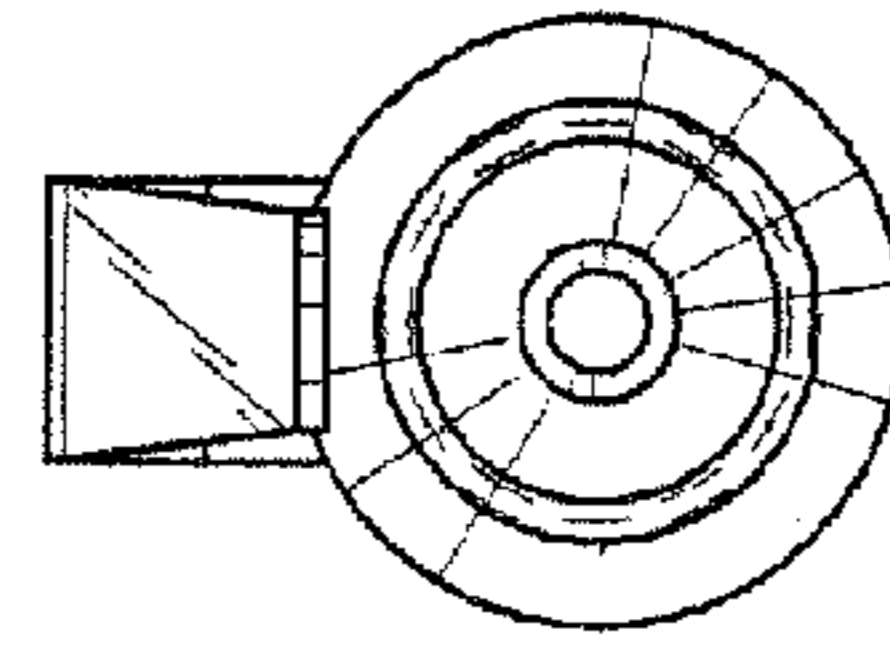


FIG. 6