



US00D562887S

(12) **United States Design Patent**
Seo et al.

(10) **Patent No.:** **US D562,887 S**

(45) **Date of Patent:** **** Feb. 26, 2008**

(54) **PAPER CARTRIDGE HAVING DETACHABLE COVER PORTIONS FOR PRINTER**

(75) Inventors: **Keiji Seo**, Nagoya (JP); **Motoaki Yamanashi**, Kounan (JP); **Minoru Yamamoto**, Nagoya (JP)

(73) Assignee: **Brother Industries, Ltd.**, Nagoya (JP)

(**) Term: **14 Years**

(21) Appl. No.: **29/167,846**

(22) Filed: **Sep. 23, 2002**

(30) **Foreign Application Priority Data**

Mar. 29, 2002 (JP) 2002-008412
Mar. 29, 2002 (JP) 2002-008413

(51) **LOC (8) Cl.** **18-02**

(52) **U.S. Cl.** **D18/56**

(58) **Field of Classification Search** D18/40,
D18/44, 56; D16/235, 236, 246, 250; D19/78,
D19/86, 92; D9/305, 414, 416, 419, 466,
D9/45, 444, 499; 206/215, 455, 449, 555;
220/62, 626; 271/121, 145, 147, 165, 168,
271/207, 4.01; 229/125; 347/101, 104,
347/221; 399/393; 400/624
See application file for complete search history.

(56) **References Cited**

U.S. PATENT DOCUMENTS

3,186,542 A * 6/1965 Greene 206/449
3,767,188 A * 10/1973 Rosenberg et al. 271/145
D254,897 S * 5/1980 Jonas D9/433
4,265,441 A * 5/1981 Jonas 271/19
D319,465 S * 8/1991 Isomoto D18/44
5,105,210 A * 4/1992 Hirano et al. 346/145
5,441,251 A * 8/1995 Ohta 271/145
5,765,091 A * 6/1998 Kovach et al. 399/393
6,217,019 B1 * 4/2001 Ishiduka et al. 271/147
6,227,732 B1 * 5/2001 Higuchi et al. 400/624
6,246,466 B1 * 6/2001 Hirano et al. 355/407
6,318,918 B1 * 11/2001 Sasaki et al. 400/624

D453,183 S * 1/2002 Shinano et al. D18/56
6,412,772 B1 * 7/2002 Itoh et al. 271/145
6,431,358 B1 * 8/2002 Sasaki et al. 206/449
D465,416 S * 11/2002 Dzwil et al. D9/432
6,474,884 B2 * 11/2002 Chiu 400/624
D467,964 S * 12/2002 Shinano et al. D18/56
6,651,975 B2 * 11/2003 Ohtsuka et al. 271/145
D484,532 S * 12/2003 Seo et al. D18/50
6,666,601 B1 * 12/2003 Bingham et al. 400/624
D491,564 S * 6/2004 Chaney et al. D14/435
6,874,636 B2 * 4/2005 Paliotta et al. 206/531
6,951,428 B2 * 10/2005 Bingham et al. 400/624
D512,740 S * 12/2005 Nakamura et al. D18/44
2001/0011795 A1 * 8/2001 Ohtsuka et al. 271/145
2001/0022605 A1 * 9/2001 Suzuki et al. 347/101
2002/0033870 A1 * 3/2002 Takahashi et al. 347/104
2002/0056961 A1 * 5/2002 Sasaki et al. 271/145
2004/0169327 A1 * 9/2004 Swayze et al. 271/145
2005/0158111 A1 * 7/2005 Yang 400/624
2005/0271447 A1 * 12/2005 Hoshino et al. 400/624
2006/0071403 A1 * 4/2006 Bingham et al. 271/145
2006/0165468 A1 * 7/2006 Yamamoto et al. 400/624
2006/0228152 A1 * 10/2006 Kim 400/624

OTHER PUBLICATIONS

U.S. Appl. No. 29/149,969, filed Oct. 25, 2001, Yamanashi et al.

* cited by examiner

Primary Examiner—Robert M. Spear

Assistant Examiner—Anna K Dworzecka

(74) *Attorney, Agent, or Firm*—Oliff & Berridge, PLC

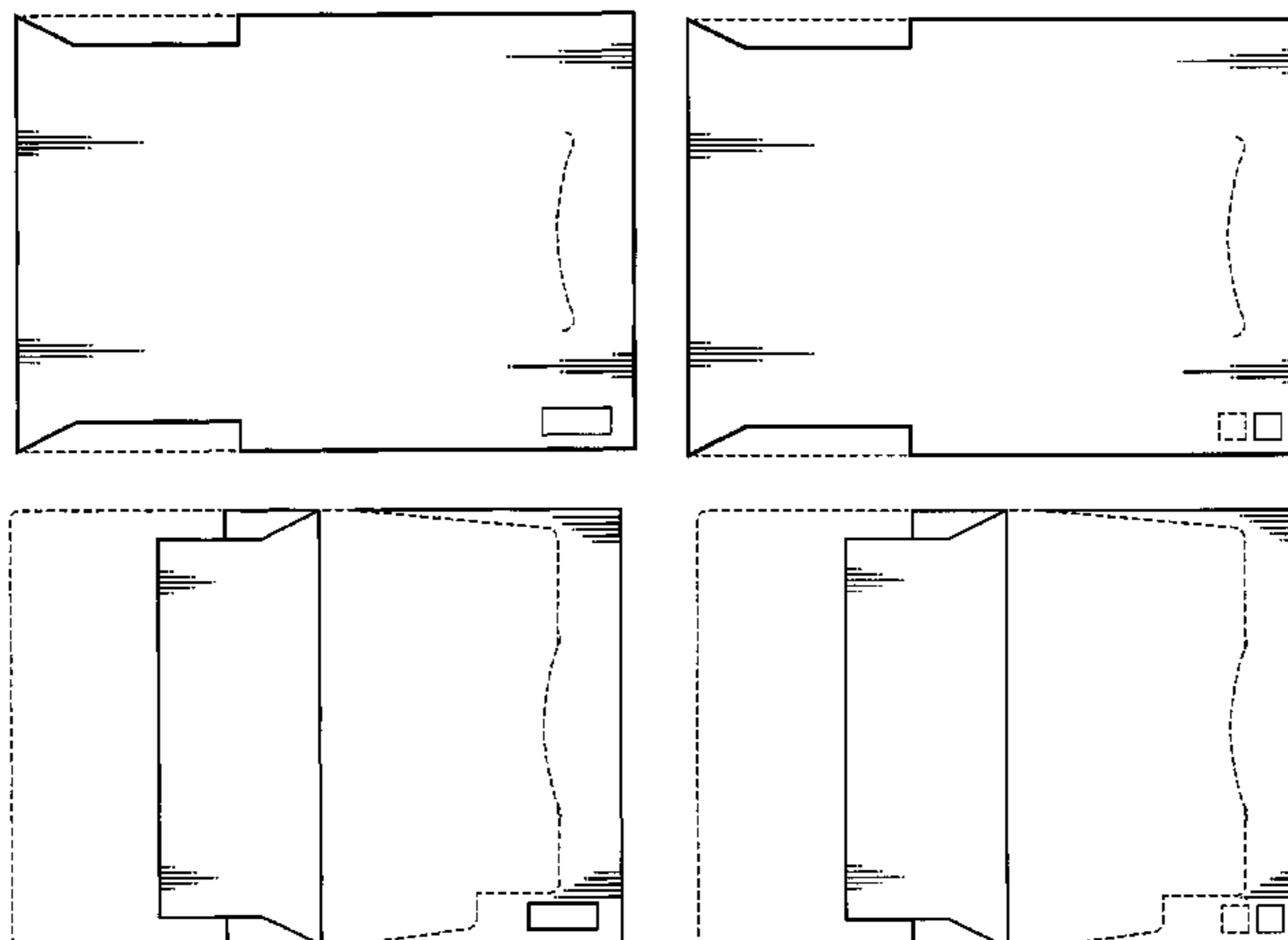
(57) **CLAIM**

The ornamental design for a paper cartridge having detachable cover portions for printer, as shown and described.

DESCRIPTION

The paper cartridge having detachable cover portions for printer is used to supply sheets of paper to a printer. The sheets of paper form a stack within the paper cartridge. For purposes of clarity, the sheets of paper are omitted from the drawing views as they form no part of the claimed design.

FIG. 1 is a bottom view of a first embodiment of a paper cartridge having detachable cover portions for printer, show-



ing a condition in which cover portions are attached to the paper cartridge and a lid is in the closed position;

FIG. 2 is a top perspective view thereof showing the cover portions attached to the paper cartridge and the lid in the closed position;

FIG. 3 is an end view thereof looking toward the lid and showing a condition in which the cover portions are attached to the paper cartridge and the lid is in the closed position;

FIG. 4 is an opposite end view thereof and showing a condition in which the cover portions are attached to the paper cartridge and the lid is in the closed position;

FIG. 5 is a side view thereof and showing a condition in which the cover portions are attached to the paper cartridge and the lid is in the closed position;

FIG. 6 is an opposite side view thereof and showing a condition in which the cover portions are attached to the paper cartridge and the lid is in the closed position;

FIG. 7 is an exploded top perspective view showing the cover portions detached from the paper cartridge and the lid in an open position, with an unclaimed portion removed so as not to obscure the claimed subject matter;

FIG. 8 is a top perspective view similar to FIG. 7 with the detachable cover portions omitted and the lid in a further folded position, with an unclaimed portion removed so as not to obscure the claimed subject matter;

FIG. 9 is a bottom perspective view of the paper cartridge with the detachable cover portions omitted and the lid in a folded position in which a top edge of the lid is inserted into a slit in the bottom of the paper cartridge;

FIG. 10 is a bottom view of the paper cartridge of FIG. 9 showing a condition in which the cover portions have been detached from the paper cartridge and the lid is in the folded condition;

FIG. 11 is a side view thereof showing a condition in which the cover portions have been detached from the paper cartridge and the lid is in the folded condition;

FIG. 12 is an opposite side view thereof showing a condition in which the cover portions have been detached from the paper cartridge and the lid is in the folded condition;

FIG. 13 is an end view thereof looking toward the lid and showing a condition in which the cover portions have been detached from the paper cartridge and the lid is in the folded condition;

FIG. 14 is an opposite end view thereof showing a condition in which the cover portions have been detached from the paper cartridge and the lid is in the folded condition;

FIG. 15 is a bottom view of a second embodiment of a paper cartridge having detachable cover portions for printer, showing a condition in which the cover portions are attached to the paper cartridge and the lid is in the closed position;

FIG. 16 is a top perspective view thereof showing the cover portions attached to the paper cartridge and the lid in a closed position;

FIG. 17 is an end view thereof looking toward the lid and showing a condition in which the cover portions are attached to the paper cartridge and the lid is in the closed position;

FIG. 18 is an opposite end view thereof and showing a condition in which the cover portions are attached to the paper cartridge and the lid is in the closed position,

FIG. 19 is a side view thereof and showing a condition in which the cover portions are attached to the paper cartridge and the lid is in the closed position;

FIG. 20 is an opposite side view thereof and showing a condition in which the cover portions are attached to the paper cartridge and the lid is in the closed position;

FIG. 21 is an exploded top perspective view showing the cover portions detached from the paper cartridge and the lid in an open position, with an unclaimed portion removed so as not to obscure the claimed subject matter;

FIG. 22 is a top perspective view similar to FIG. 21 with the detachable cover portions omitted and the lid in a further folded position, with an unclaimed portion removed so as not to obscure the claimed subject matter;

FIG. 23 is a bottom perspective view of the paper cartridge with the detachable cover portions omitted and the lid in a folded position in which a top edge of the lid is inserted into a slit in the bottom of the paper cartridge;

FIG. 24 is a bottom view of the paper cartridge of FIG. 23 showing a condition in which the cover portions have been detached from the paper cartridge and the lid is in the folded condition;

FIG. 25 is a side view thereof showing a condition in which the cover portions have been detached from the paper cartridge and the lid is in the folded condition;

FIG. 26 is an opposite side view thereof showing a condition in which the cover portions have been detached from the paper cartridge and the lid is in the folded condition;

FIG. 27 is an end view thereof looking toward the lid and showing a condition in which the cover portions have been detached from the paper cartridge, and the lid is in the folded condition; and,

FIG. 28 is an opposite end view thereof showing a condition in which the cover portions have been detached from the paper cartridge and the lid is in the folded condition.

The broken line showing within the paper cartridge defines the bounds of the claimed design, and does not form part of the claimed design.

1 Claim, 12 Drawing Sheets

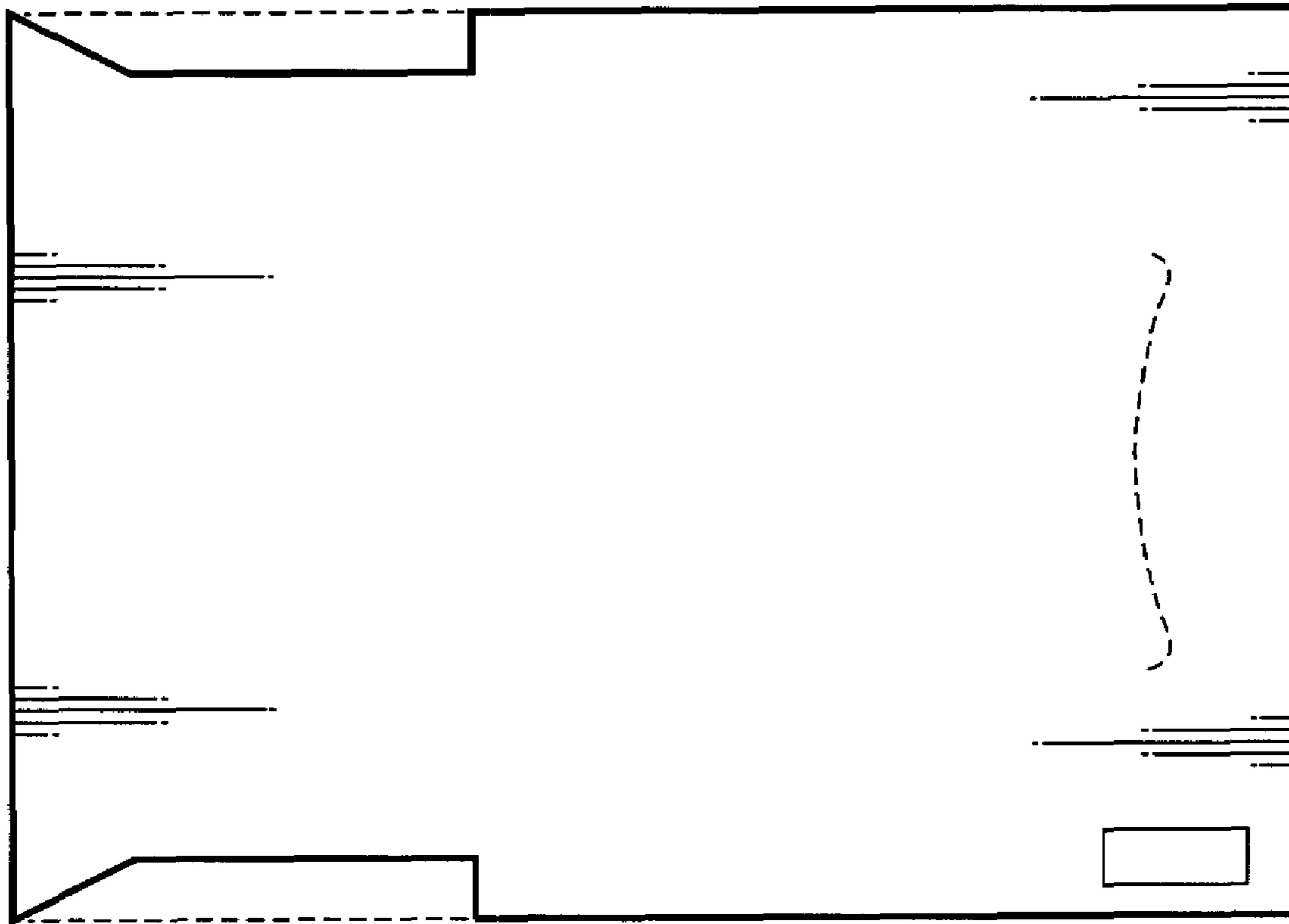


FIG. 1

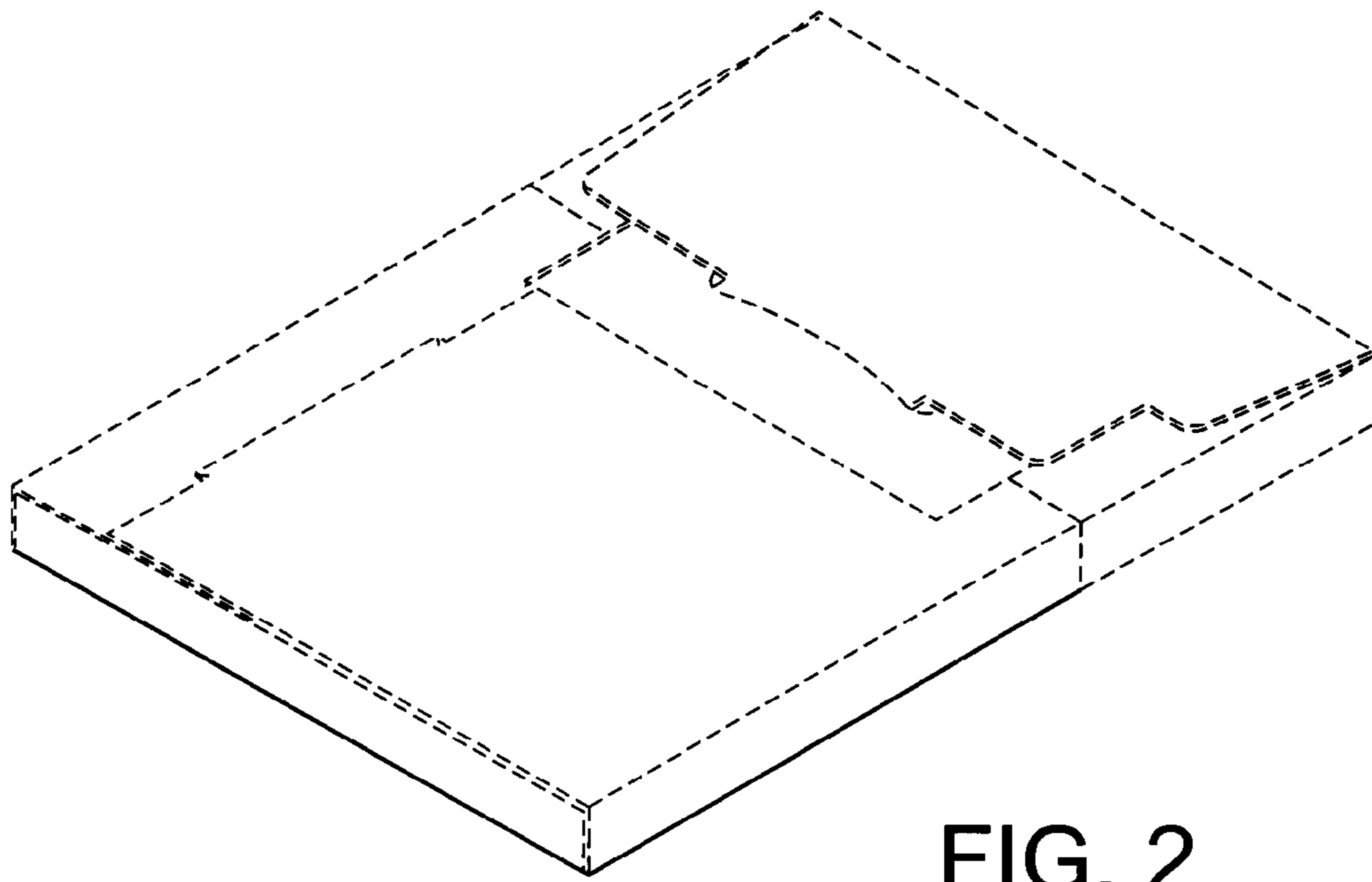


FIG. 2



FIG. 3



FIG. 4



FIG. 5

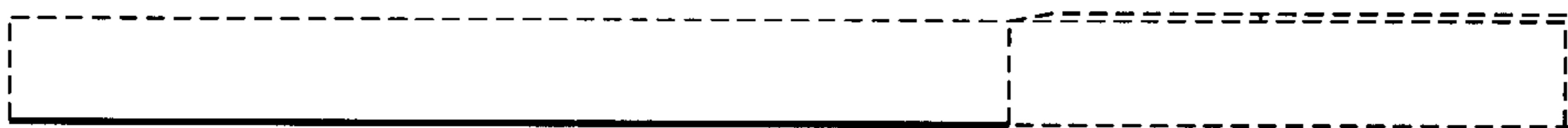


FIG. 6

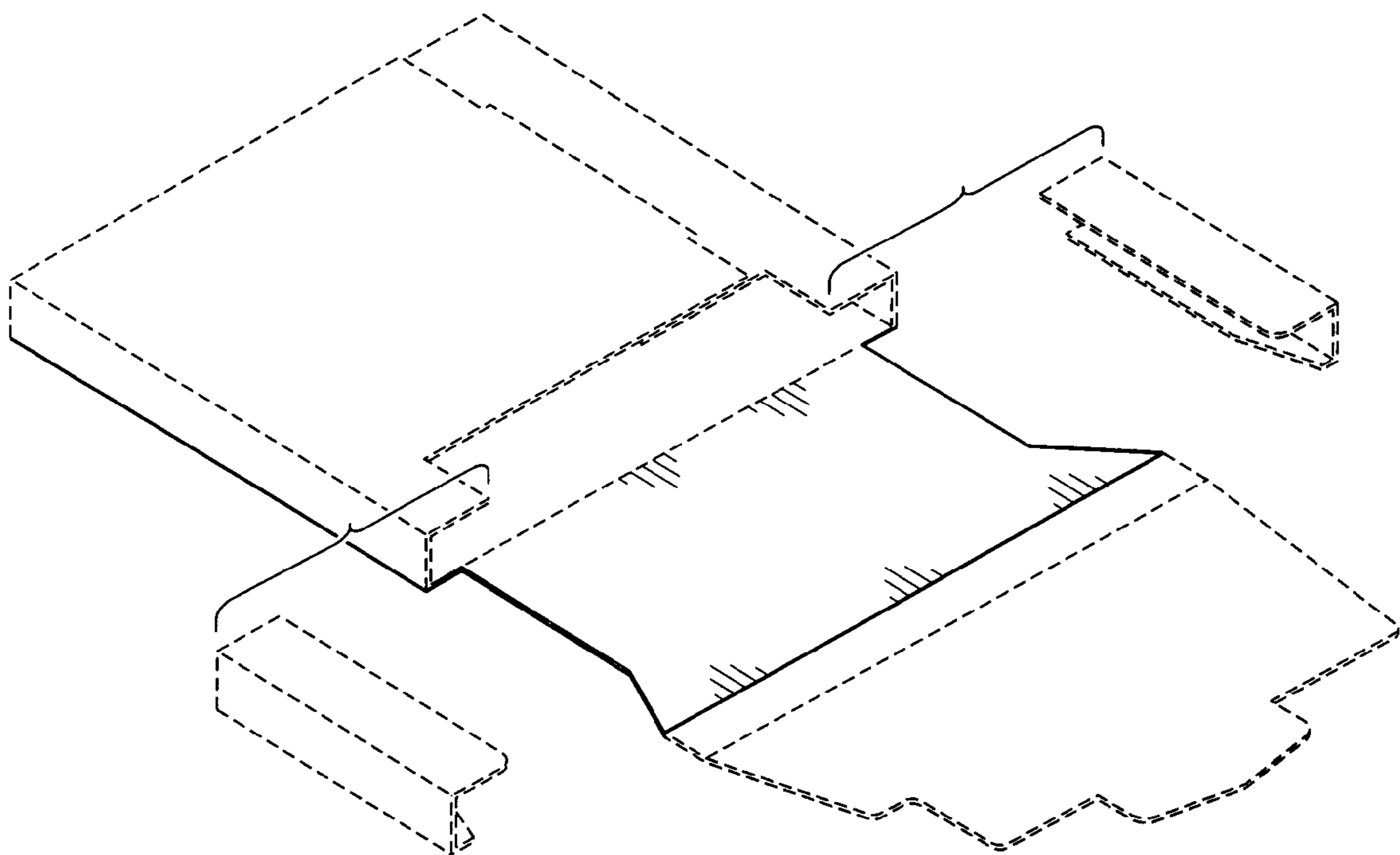


FIG. 7

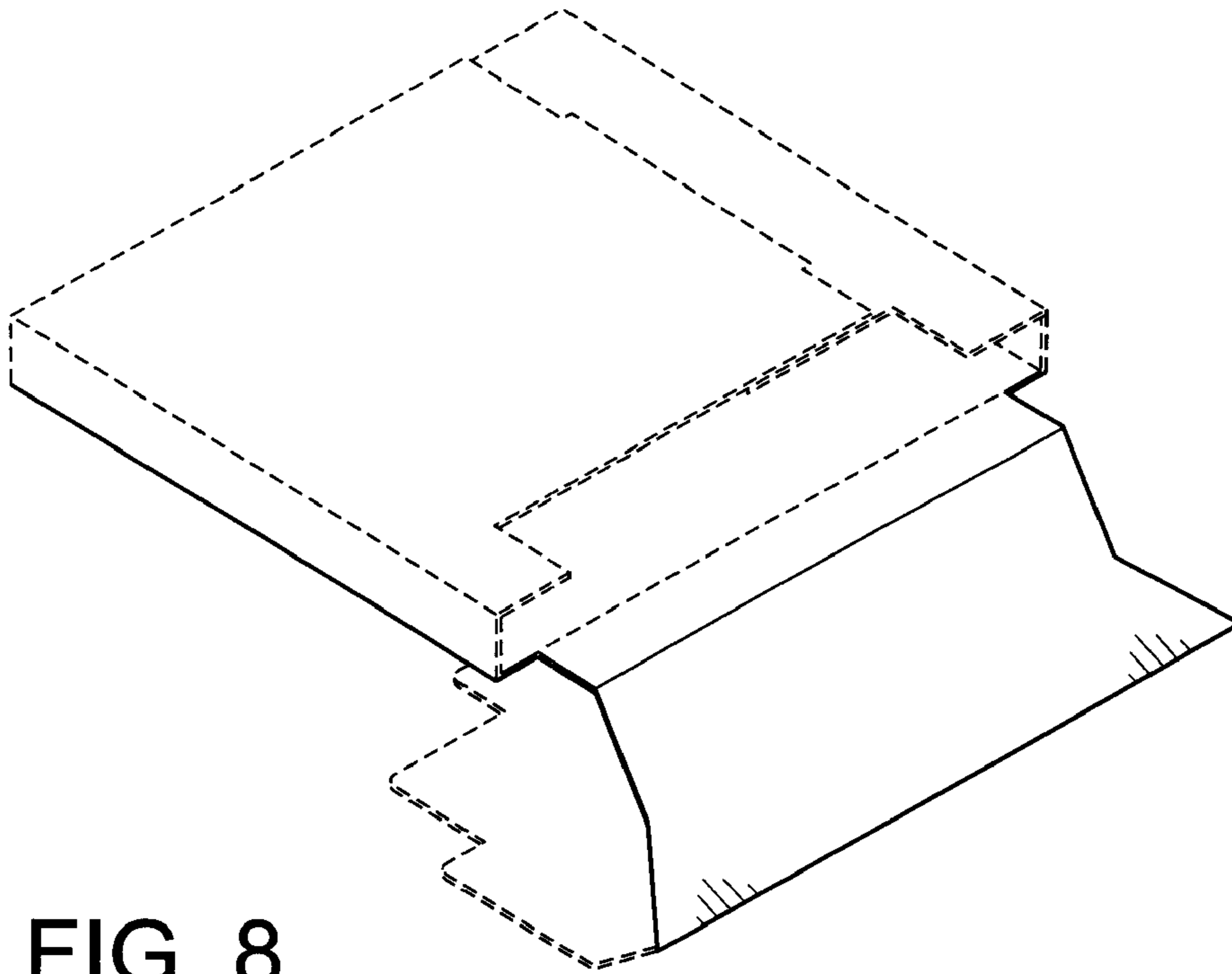


FIG. 8

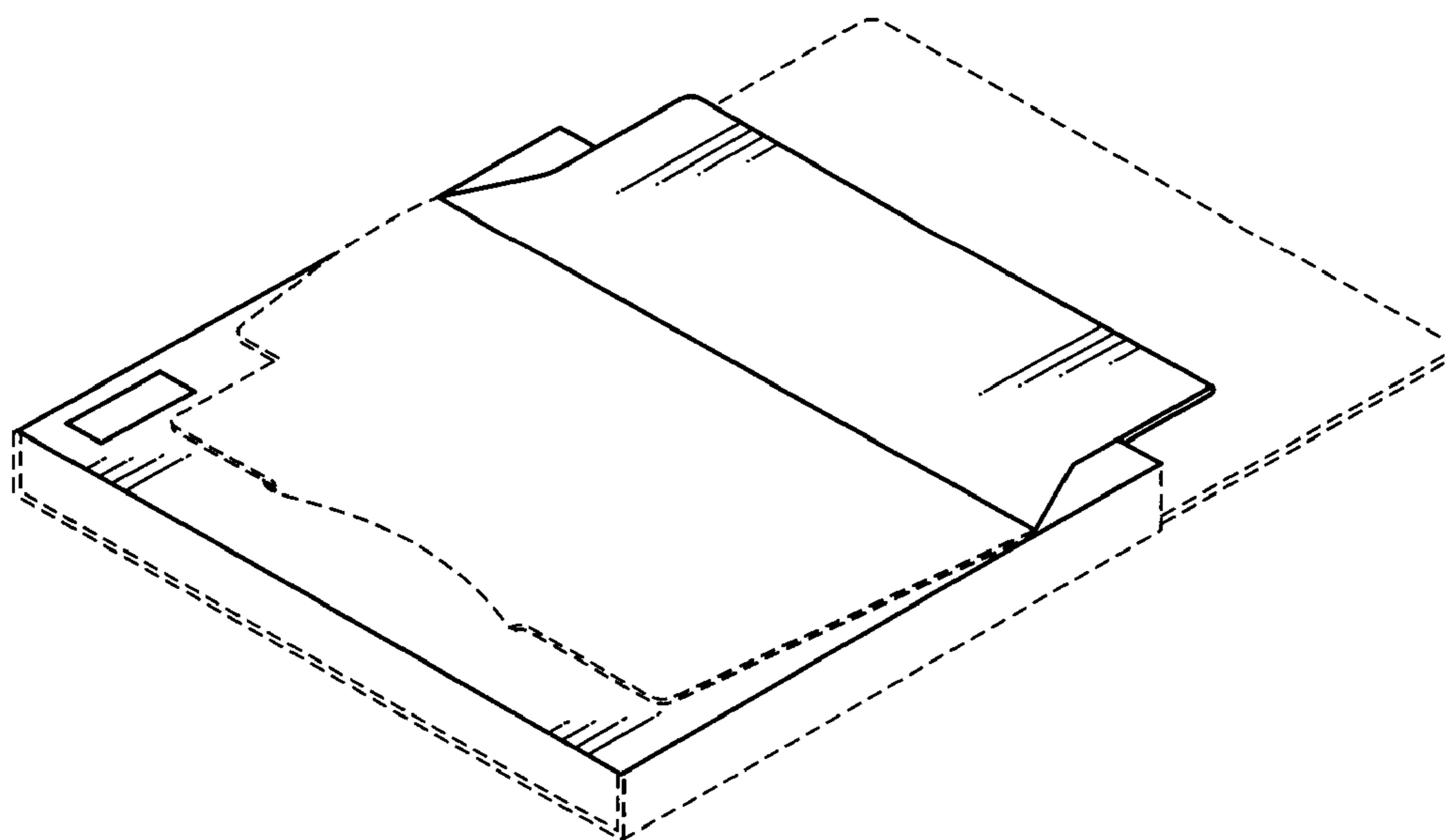


FIG. 9

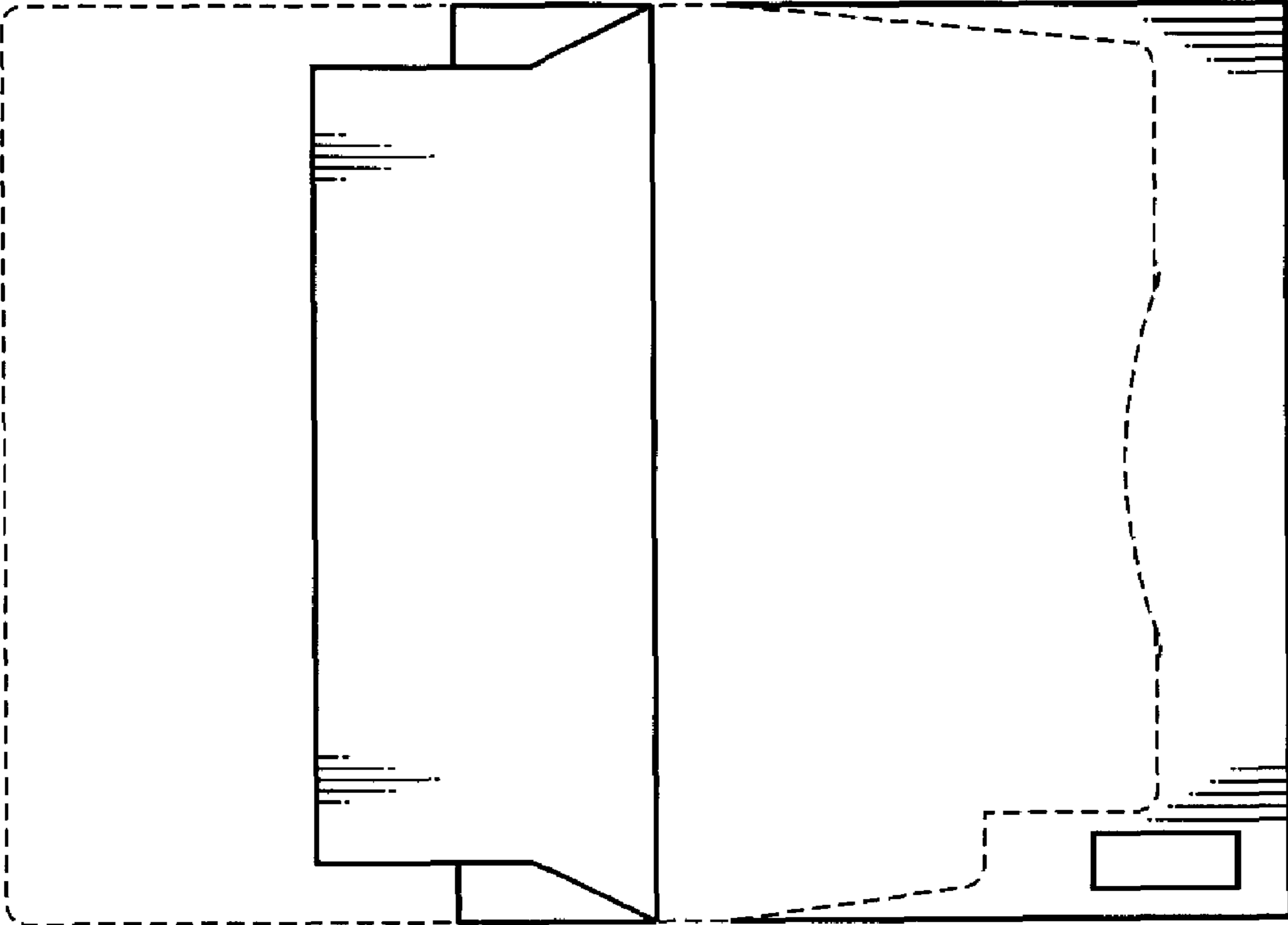


FIG. 10



FIG. 11



FIG. 12

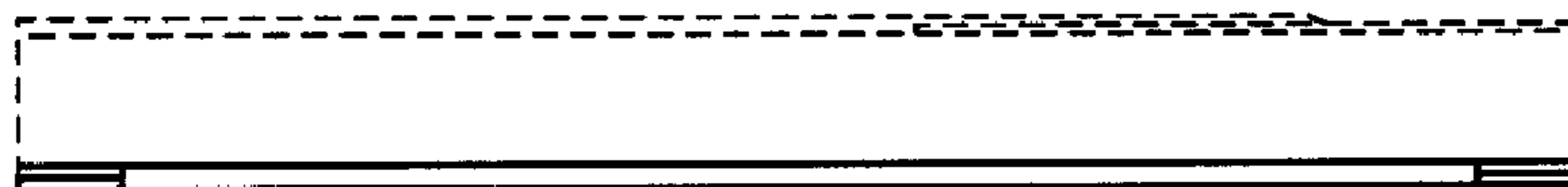


FIG. 13



FIG. 14

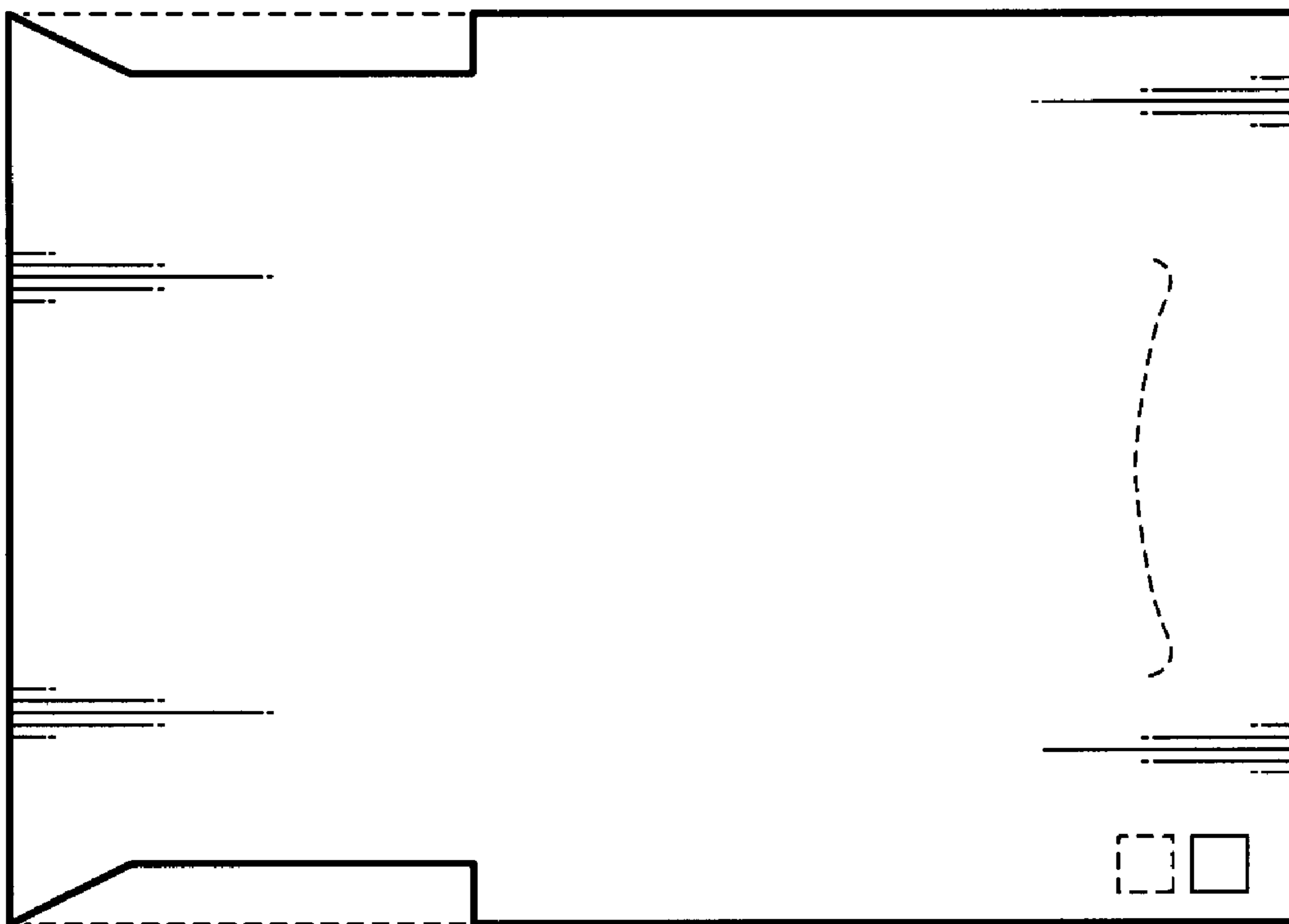


FIG. 15

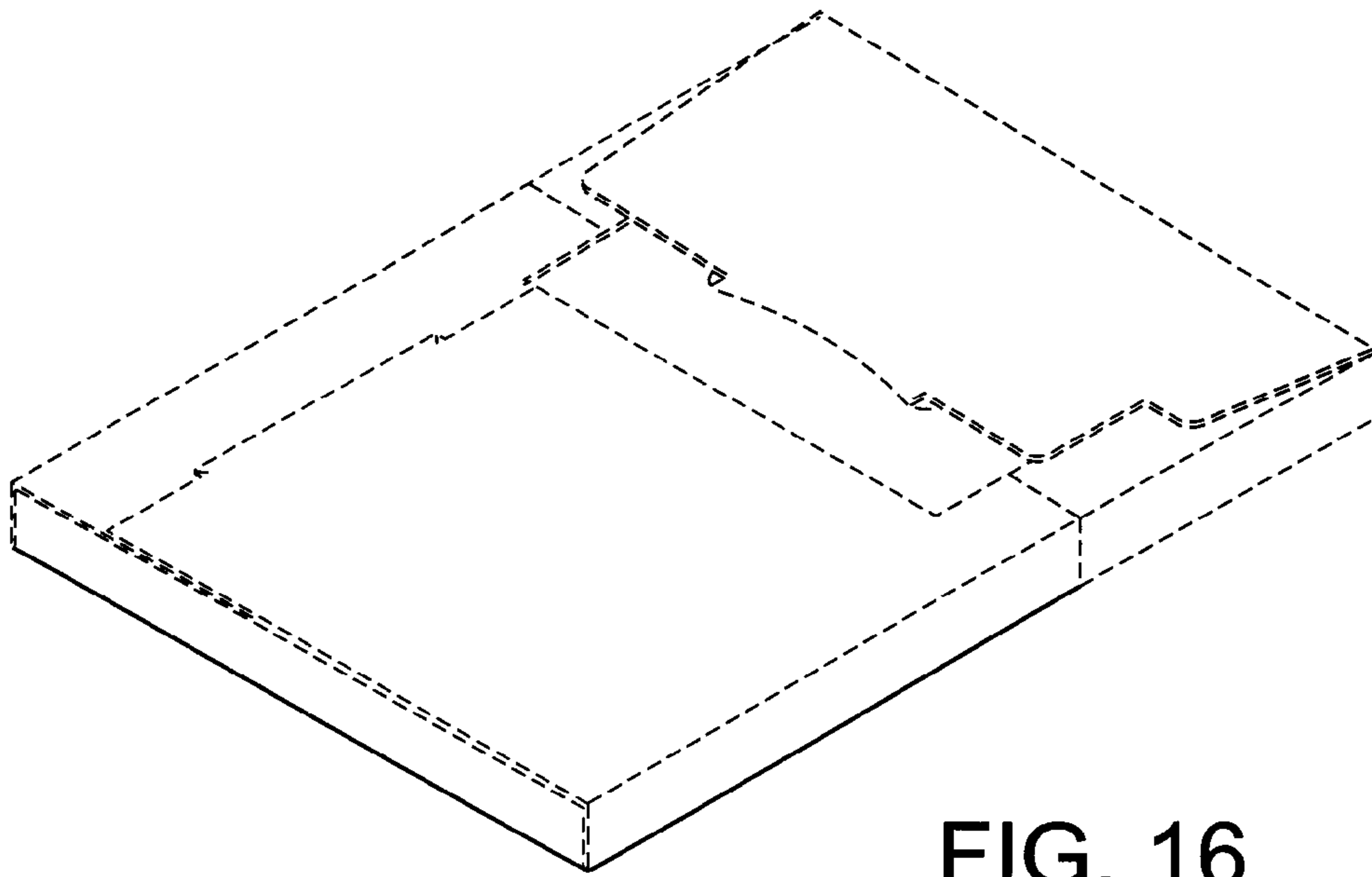


FIG. 16



FIG. 17

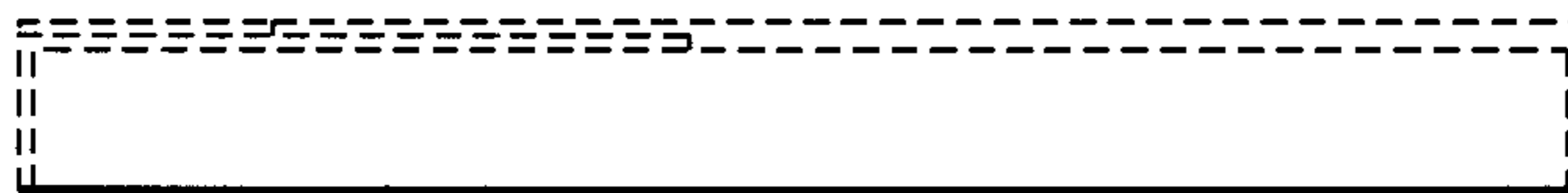


FIG. 18



FIG. 19

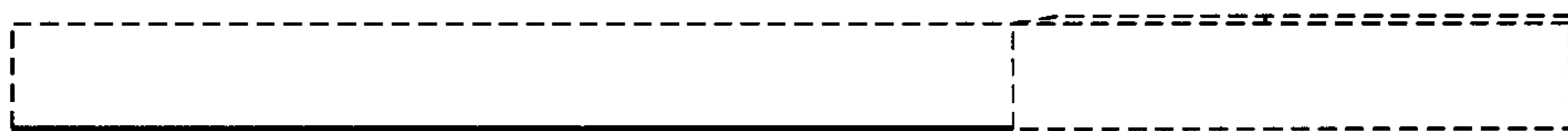


FIG. 20

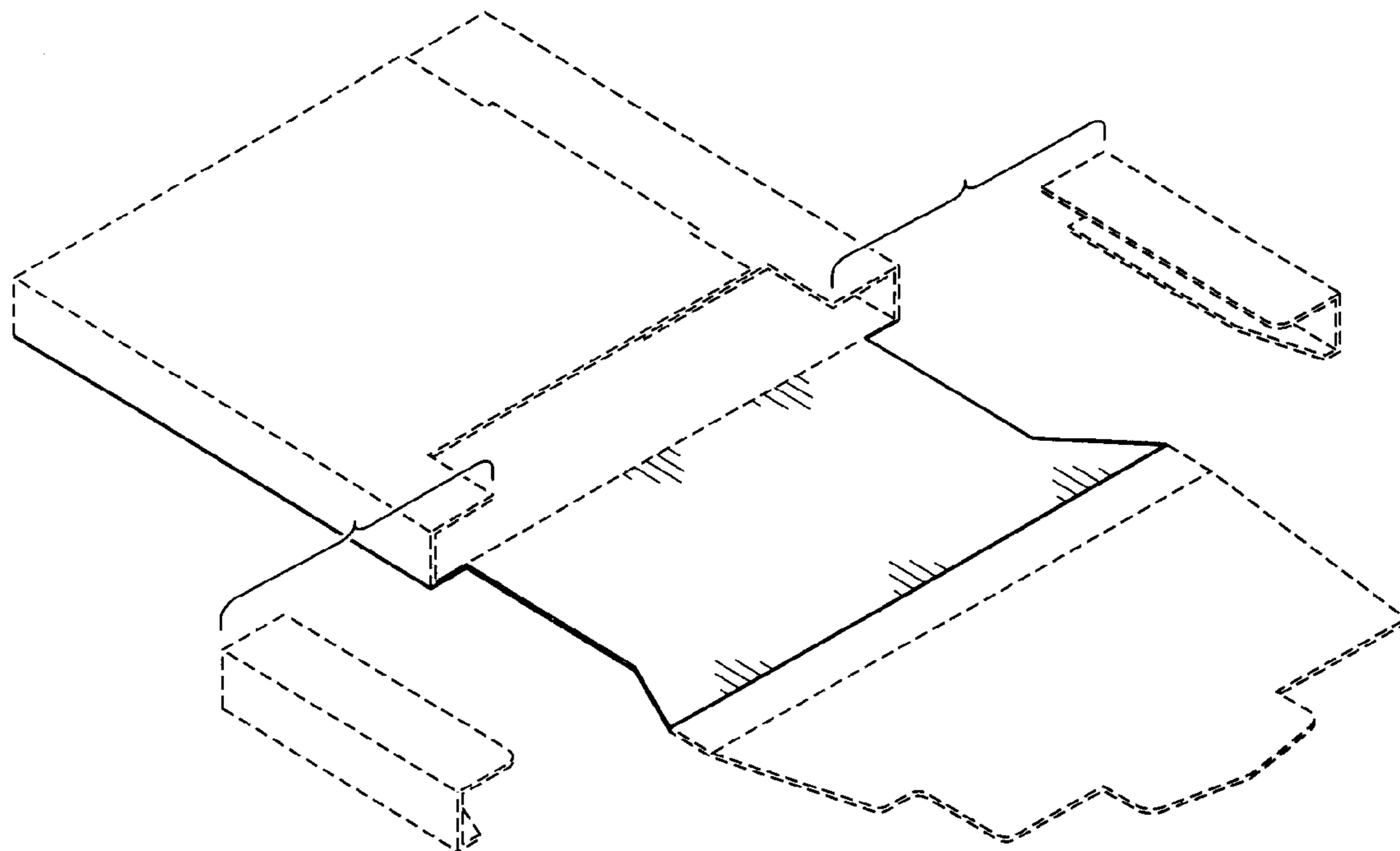


FIG. 21

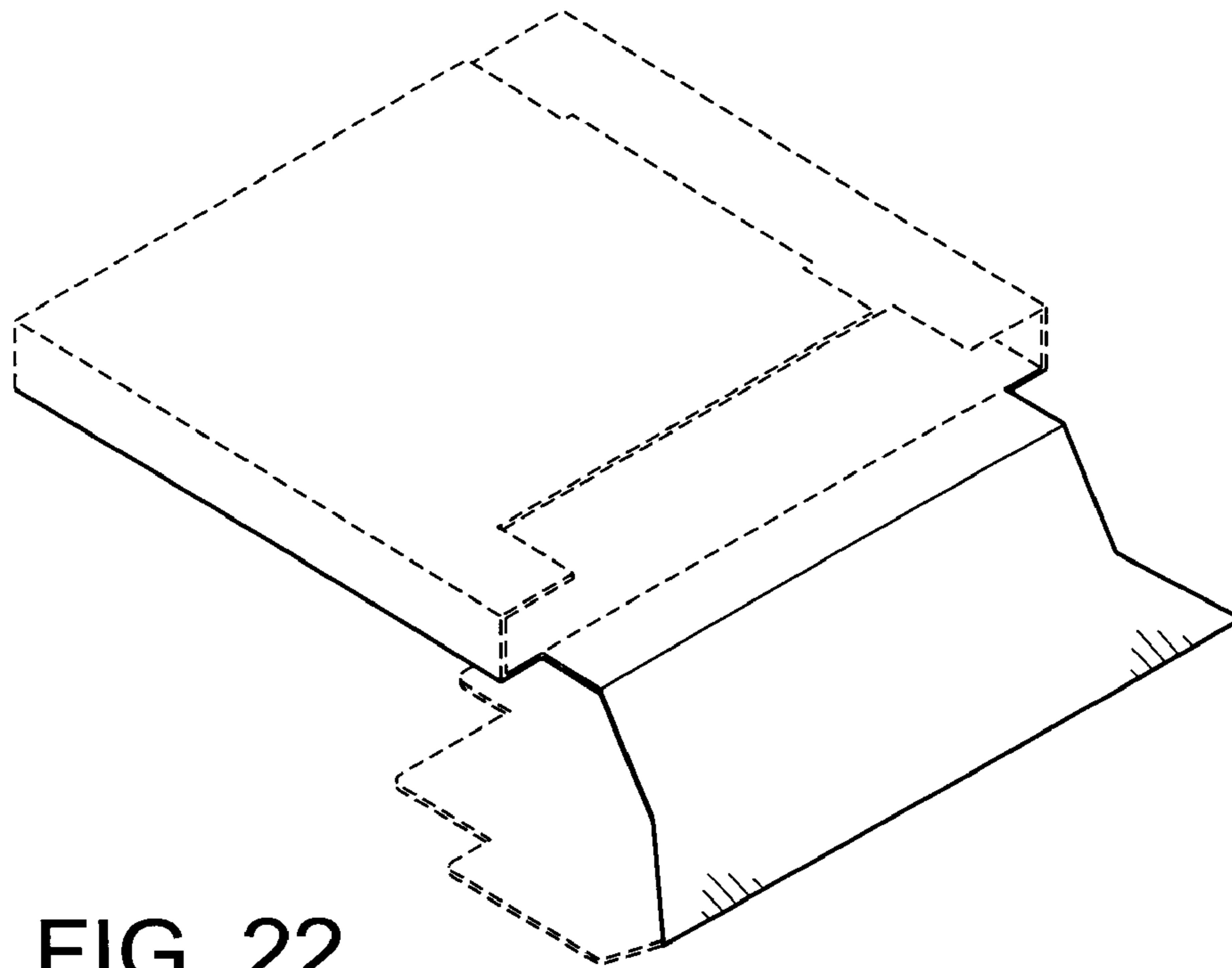


FIG. 22

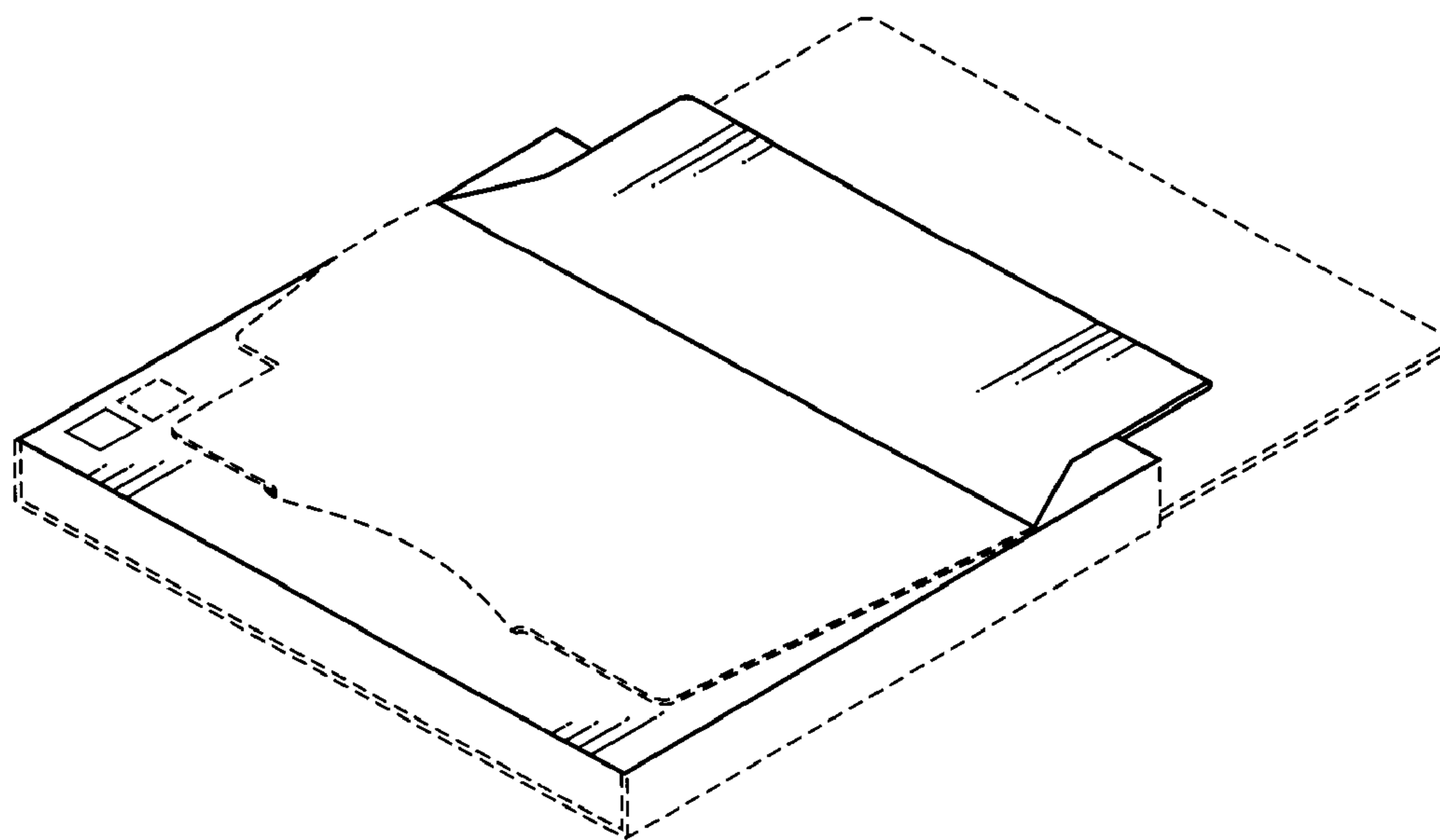


FIG. 23

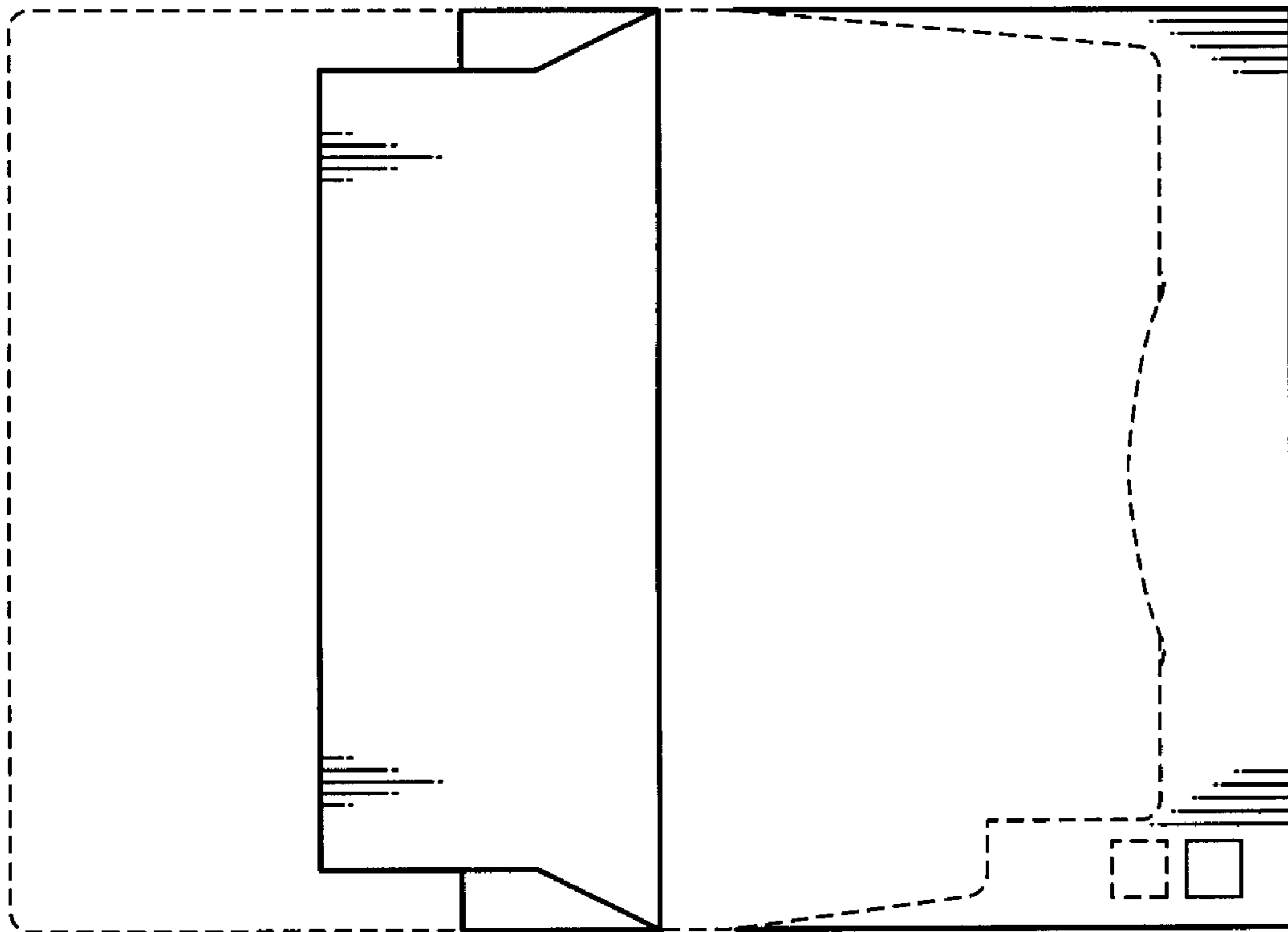


FIG. 24



FIG. 25



FIG. 26



FIG. 27

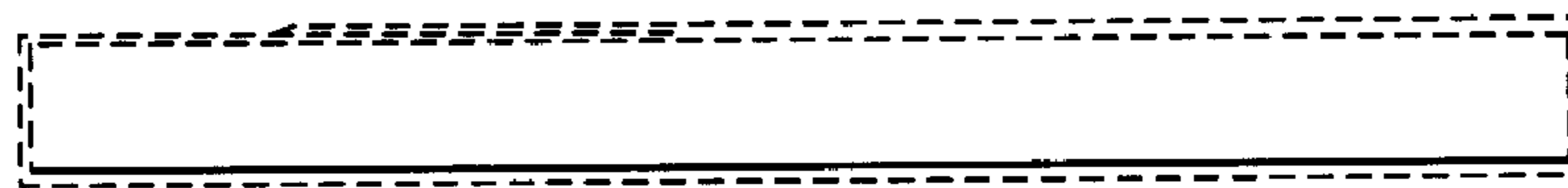


FIG. 28