



US00D562886S

(12) **United States Design Patent**  
**Egami et al.**

(10) **Patent No.:** **US D562,886 S**

(45) **Date of Patent:** **\*\* Feb. 26, 2008**

(54) **PRINTER**

(75) Inventors: **Keiichiro Egami**, Nagoya (JP); **Yosuke Mase**, Chita-gun (JP); **Satoko Takeuchi**, Nagoya (JP)

(73) Assignee: **Brother Industries, Ltd.**, Nagoya (JP)

(\*\*) Term: **14 Years**

(21) Appl. No.: **29/265,724**

(22) Filed: **Sep. 8, 2006**

(30) **Foreign Application Priority Data**

Mar. 10, 2006 (JP) ..... 2006-006165

(51) **LOC (8) Cl.** ..... **14-02**

(52) **U.S. Cl.** ..... **D18/55**

(58) **Field of Classification Search** ..... D18/36-39,  
D18/50, 54, 54.1, 55; D14/420-425, 462-470;  
400/613, 613.1-613.4, 690.1-690.4, 691-694  
See application file for complete search history.

(56) **References Cited**

**U.S. PATENT DOCUMENTS**

D379,196 S \* 5/1997 Laidlaw ..... D18/55  
D402,688 S \* 12/1998 Laidlaw ..... D18/53  
D402,698 S \* 12/1998 Falk et al. .... D18/55  
D413,141 S \* 8/1999 Matsumoto ..... D18/55

D421,455 S \* 3/2000 Kobayashi et al. .... D18/54  
D432,564 S \* 10/2000 Miyazawa ..... D18/54  
D436,987 S \* 1/2001 Suzuki et al. .... D18/55  
D501,024 S \* 1/2005 Suzuki et al. .... D18/55  
D544,906 S \* 6/2007 Alfonso et al. .... D18/55  
D549,771 S \* 8/2007 Egami et al. .... D18/50  
D549,772 S \* 8/2007 Mase et al. .... D18/55

\* cited by examiner

*Primary Examiner*—Cathy Anne MacCormac

(74) *Attorney, Agent, or Firm*—Oliff & Berridge, PLC

(57) **CLAIM**

The ornamental design for a printer, as shown and described.

**DESCRIPTION**

FIG. 1 is a perspective view of a printer;

FIG. 2 is a top view thereof;

FIG. 3 is a front view thereof;

FIG. 4 is a right-side view thereof;

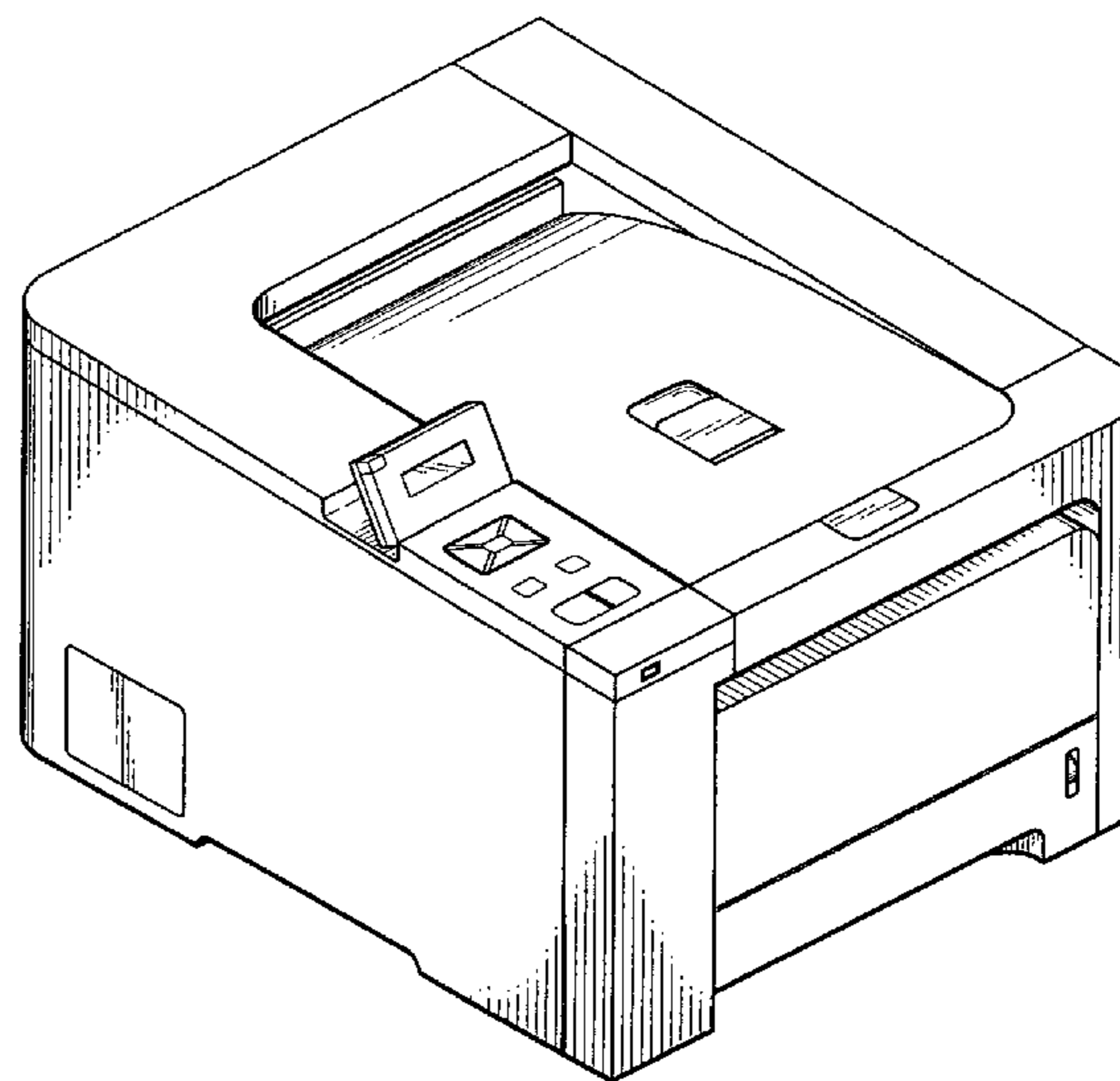
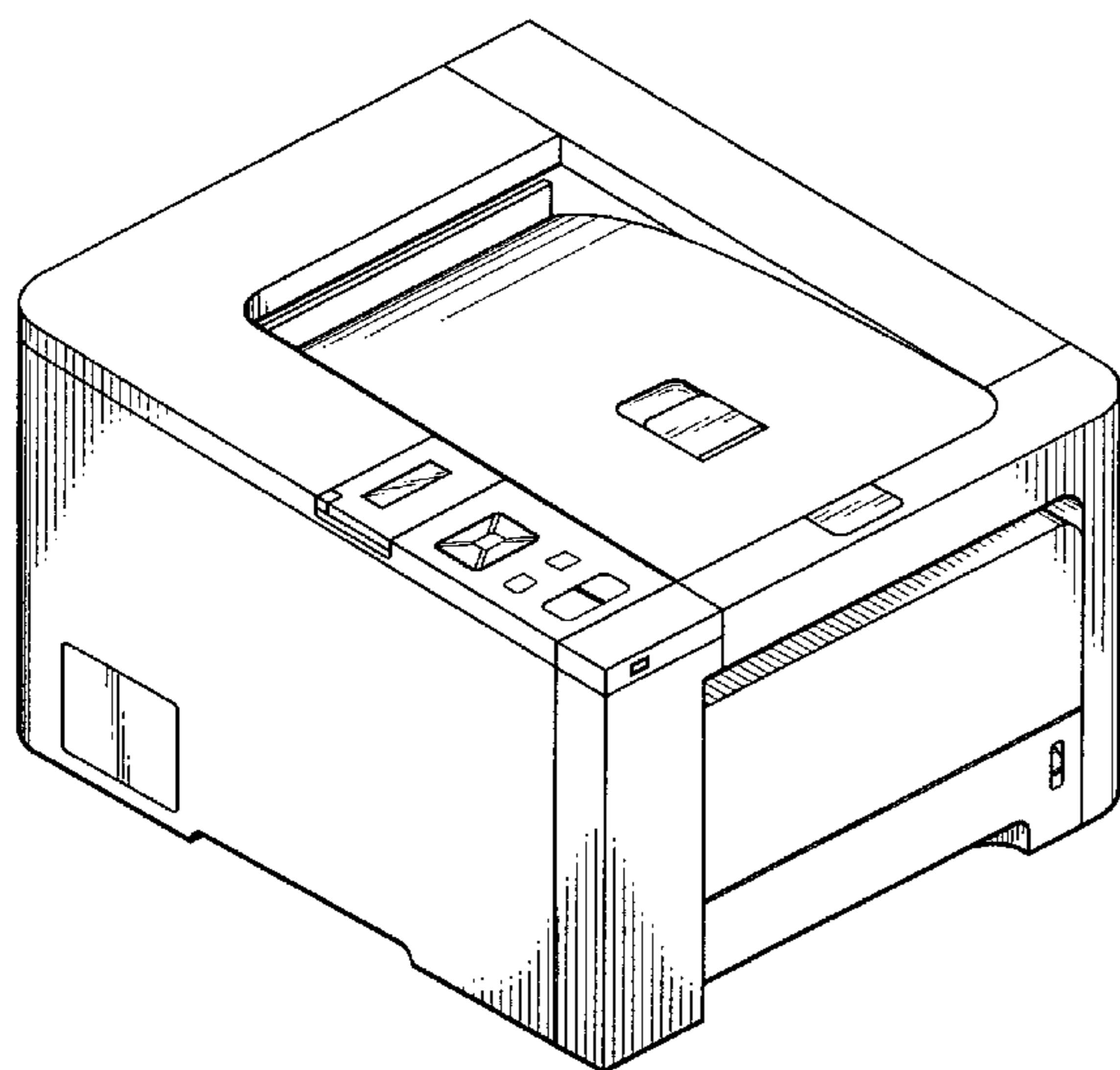
FIG. 5 is a left-side view thereof;

FIG. 6 is a rear view thereof;

FIG. 7 is a bottom view thereof; and,

FIG. 8 is another perspective view thereof with a display in an extended position.

**1 Claim, 6 Drawing Sheets**



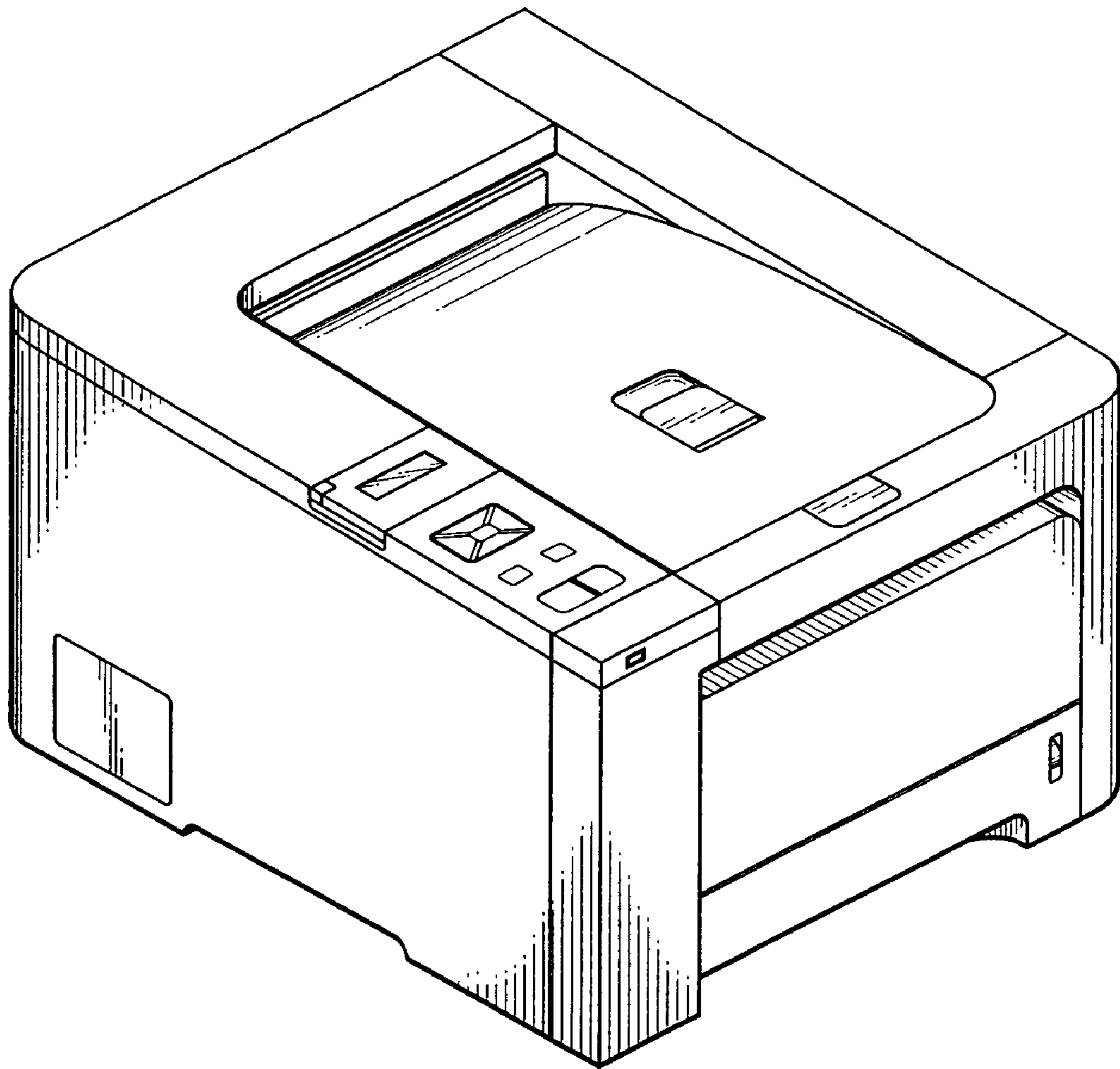


FIG. 1

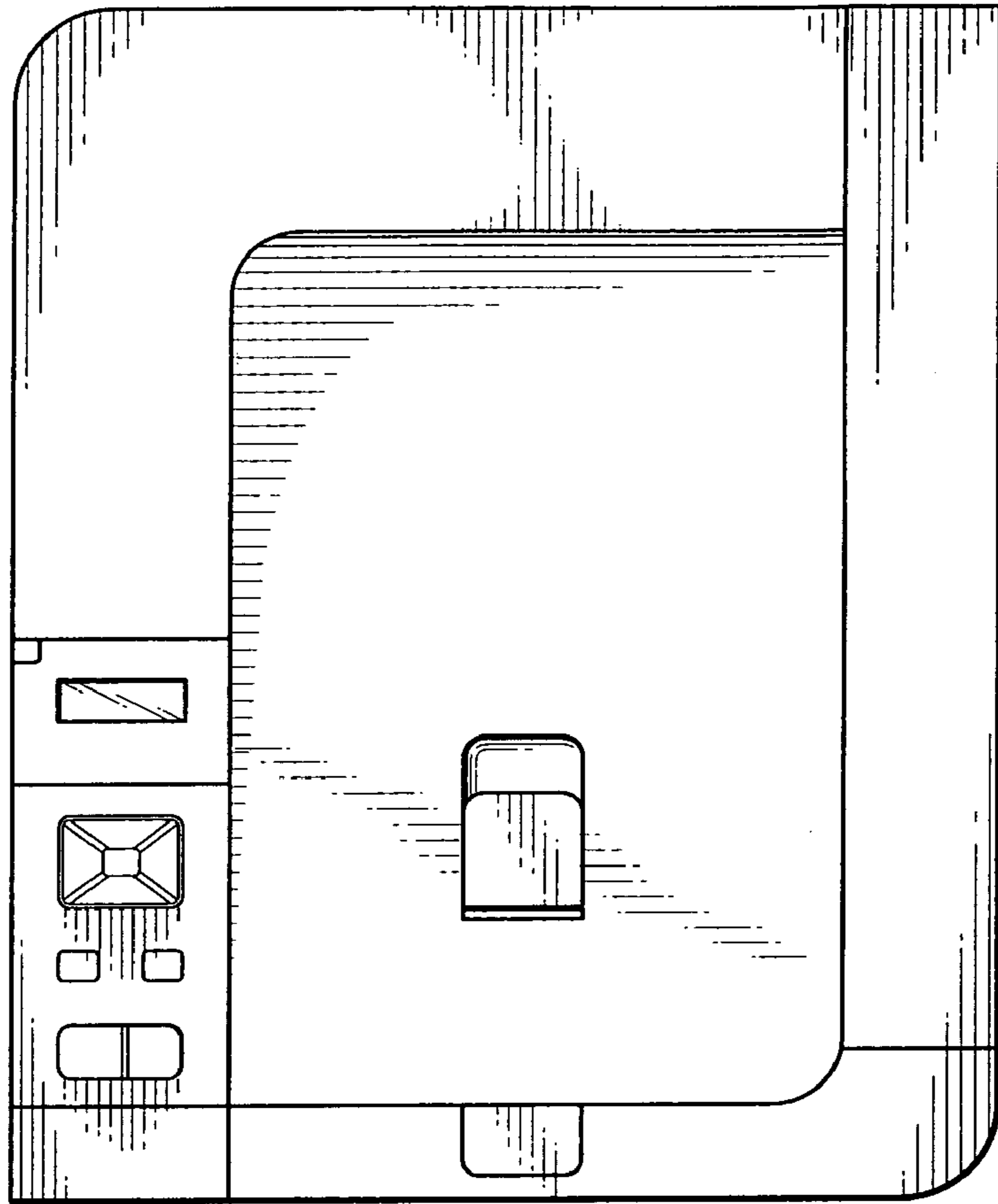


FIG. 2

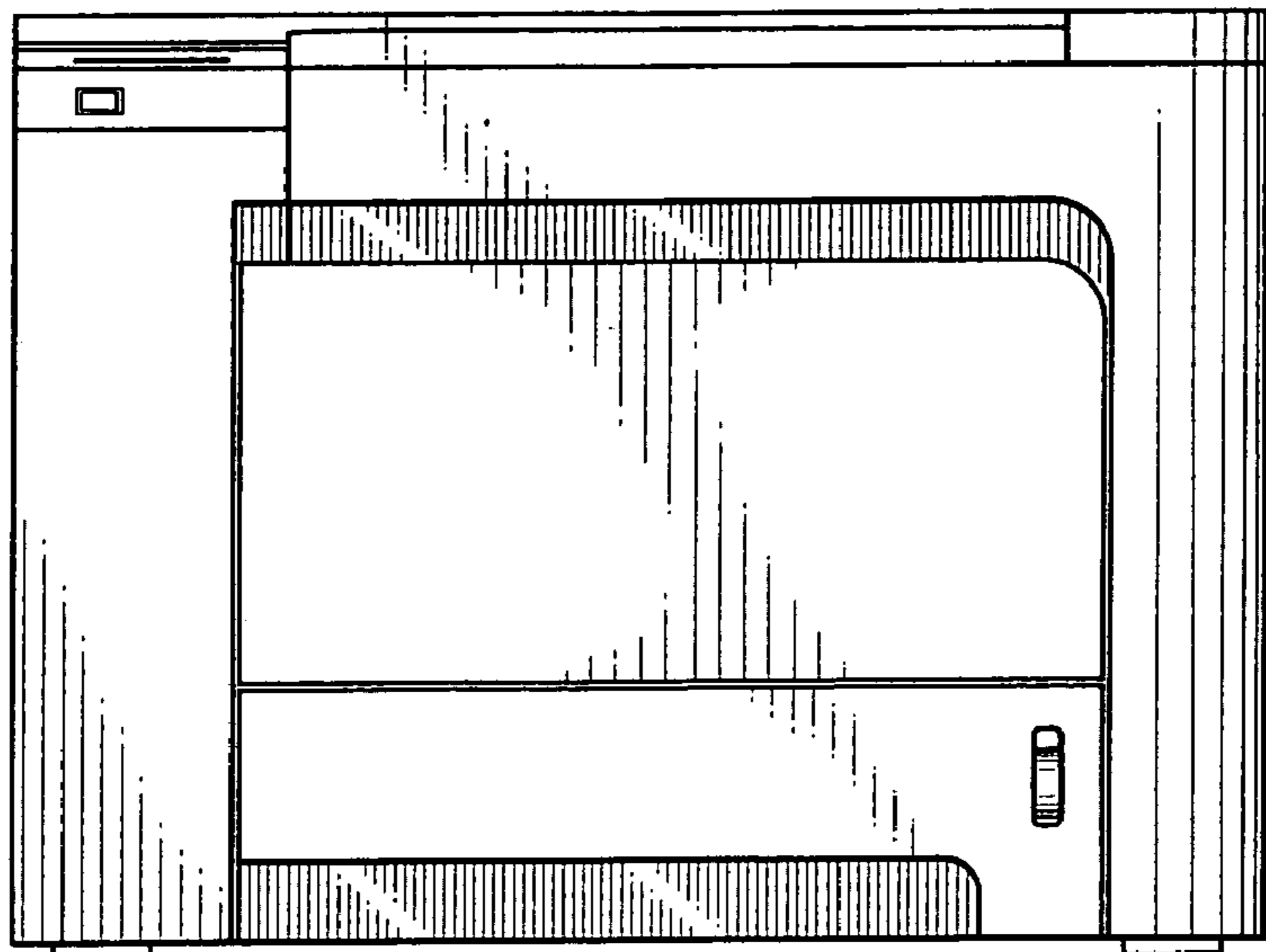


FIG. 3

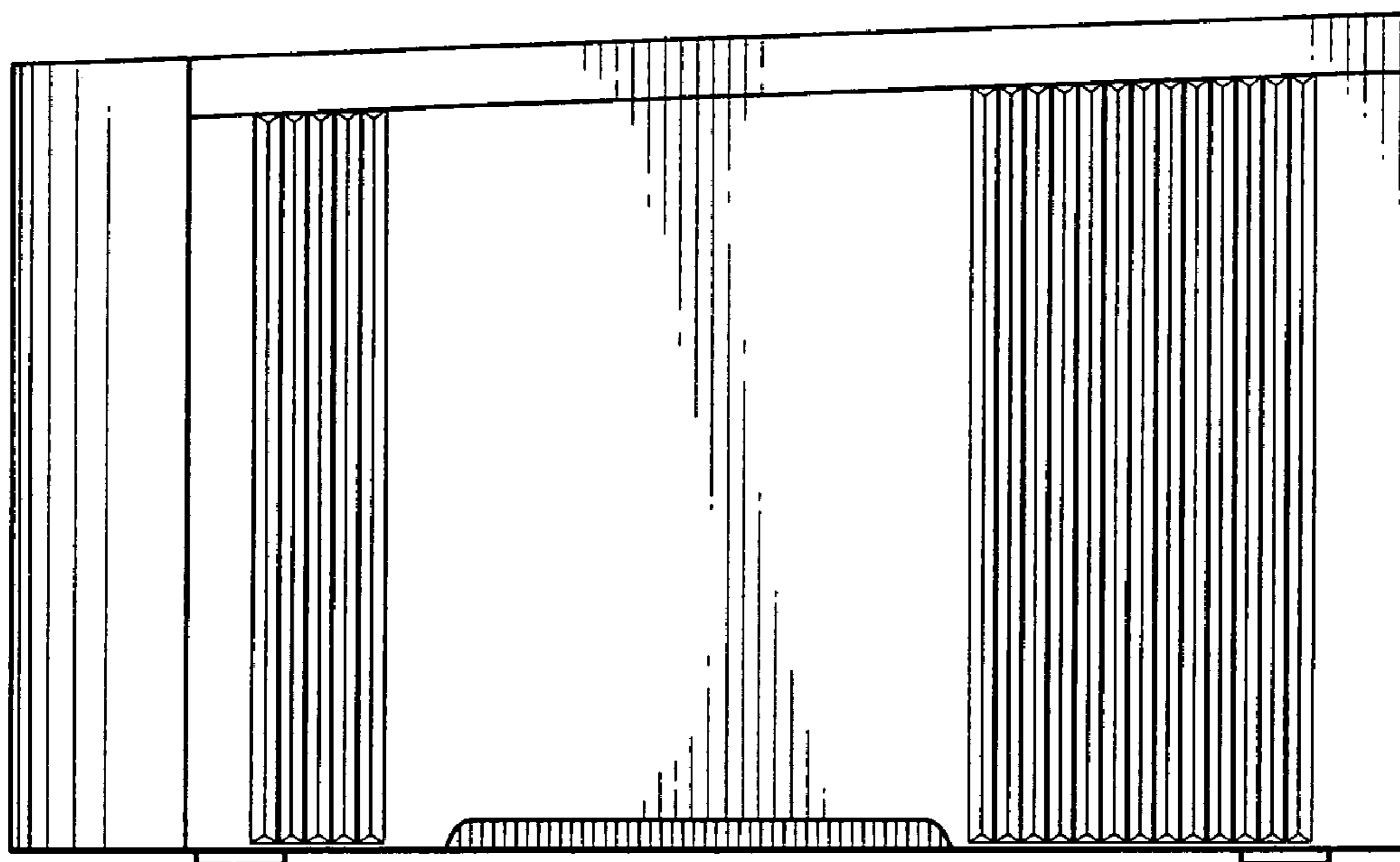


FIG. 4

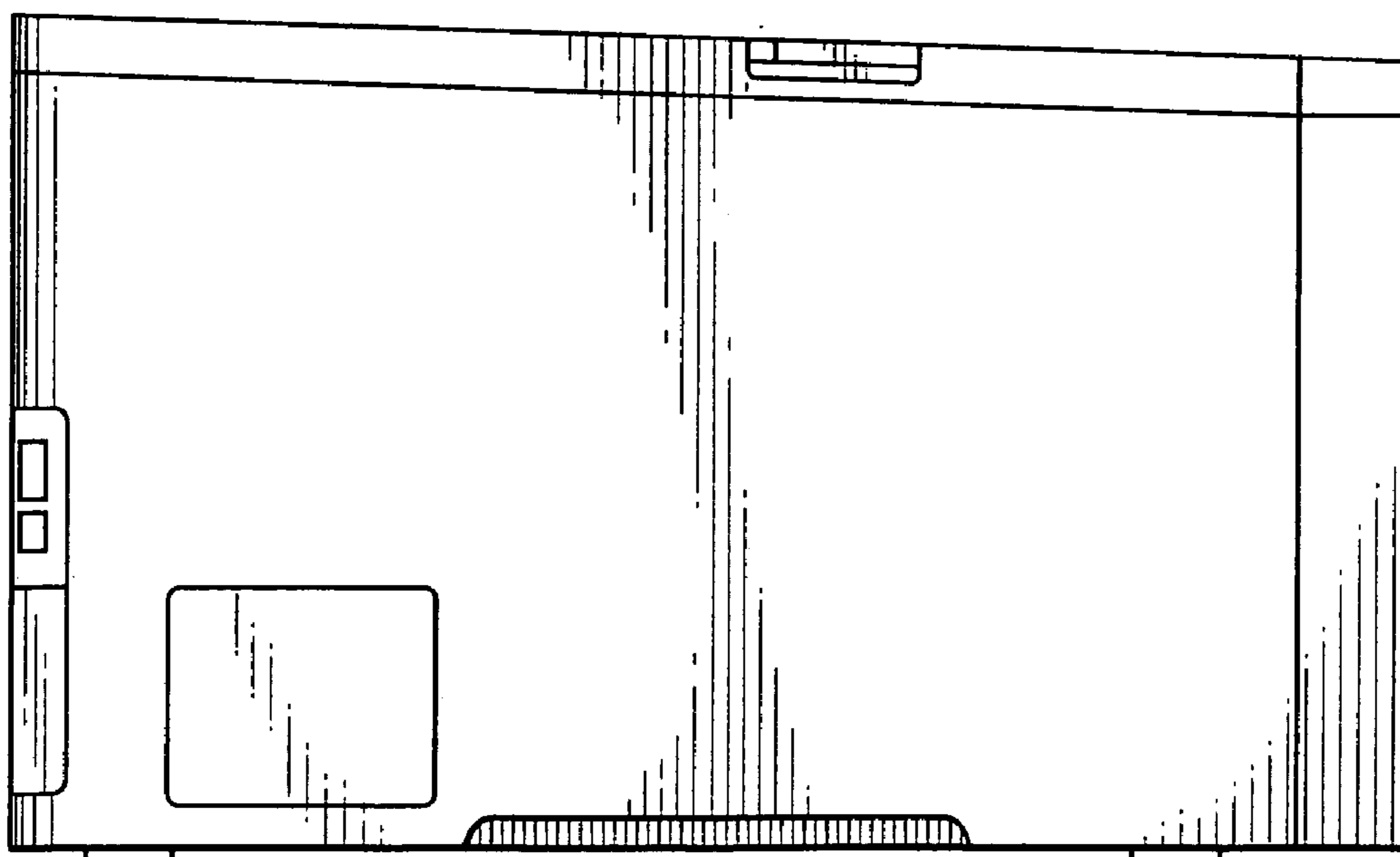


FIG. 5

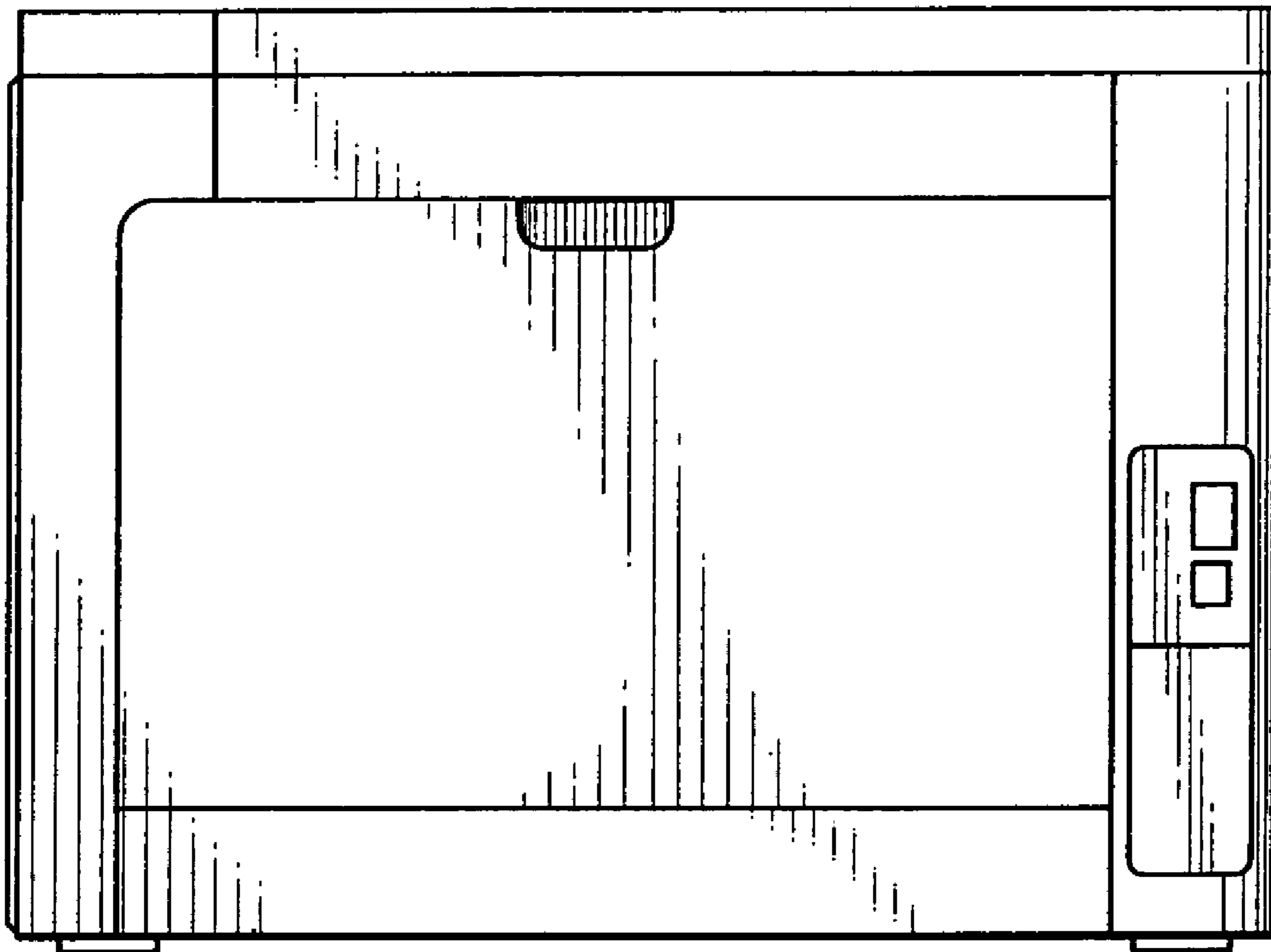


FIG. 6

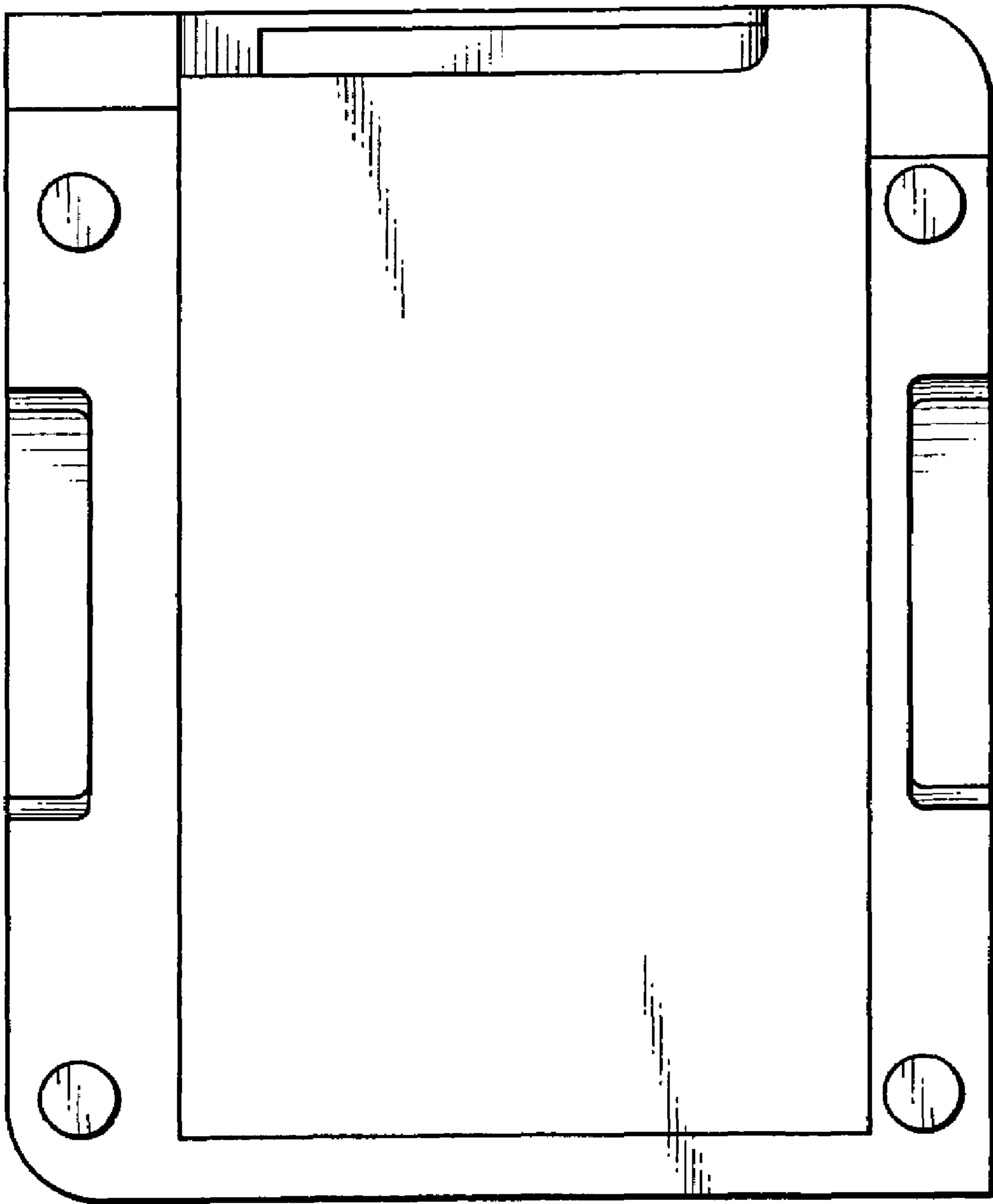


FIG. 7

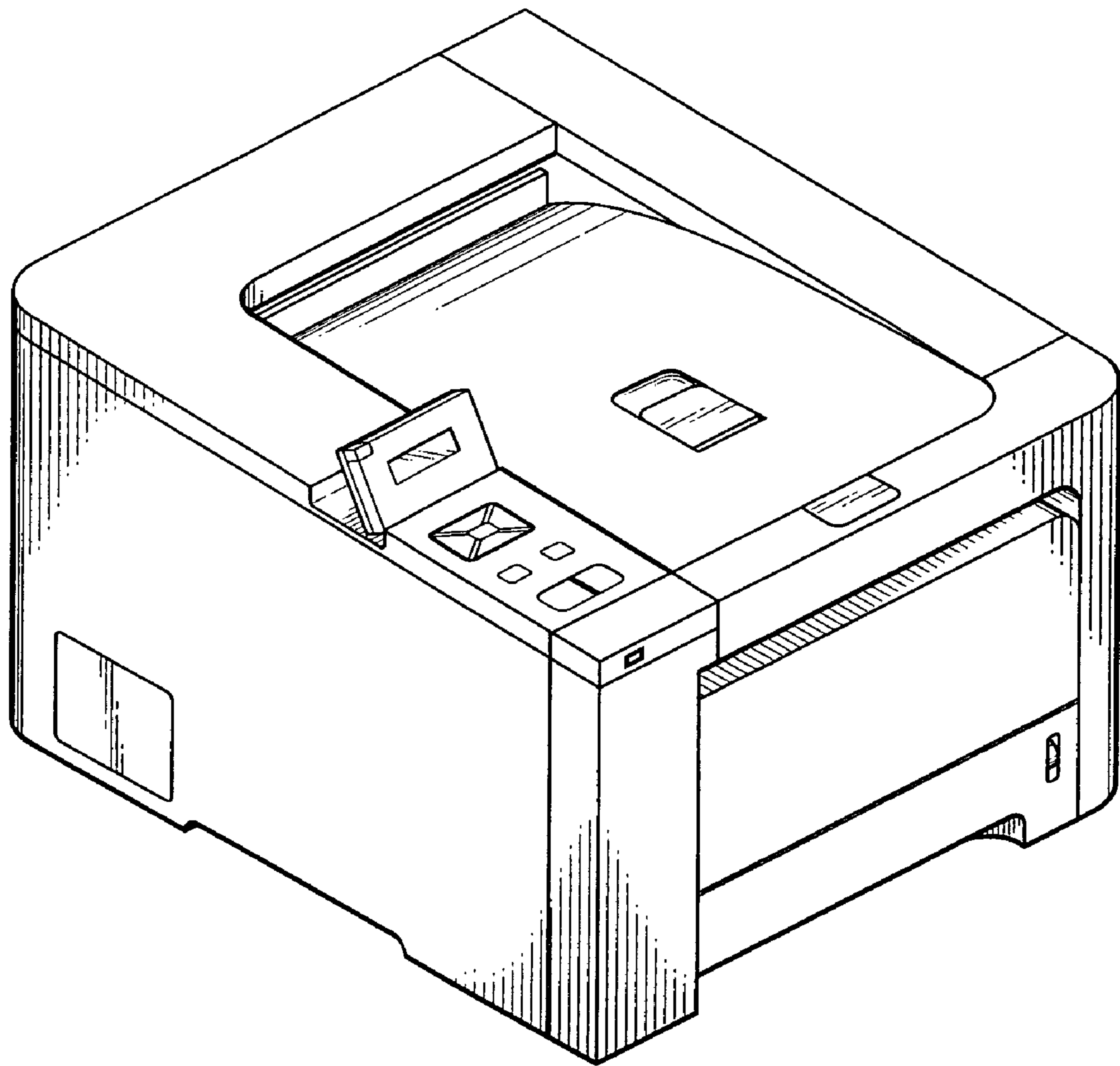


FIG. 8