

US00D562885S

(12) **United States Design Patent**  
**Hoshiya et al.**

(10) **Patent No.:** **US D562,885 S**  
(45) **Date of Patent:** **\*\* Feb. 26, 2008**

(54) **PRINTER**

(75) Inventors: **Kazuhiro Hoshiya**, Shizuoka (JP);  
**Shigeharu Katayama**, Kakamigahara  
(JP); **Nobuyuki Iwai**, Aichi-ken (JP)

(73) Assignee: **Brother Industries, Ltd.**, Nagoya (JP)

(\*\*) Term: **14 Years**

(21) Appl. No.: **29/261,337**

(22) Filed: **Jun. 13, 2006**

(30) **Foreign Application Priority Data**

Dec. 13, 2005 (JP) ..... 2005-036714

(51) **LOC (8) Cl.** ..... **18-02**

(52) **U.S. Cl.** ..... **D18/50**

(58) **Field of Classification Search** ..... D18/56,  
D18/55, 50, 4, 3, 12.3, 43, 44, 46-49, 14,  
D18/18, 21, 51, 54, 54.1, 58, 34.1, 34.9, 35,  
D18/35.1, 99; D9/435; D16/246-248, 237;  
D14/420-425, 462-470; 399/107; D11/217;  
347/86; 86/25

See application file for complete search history.

(56) **References Cited**

**U.S. PATENT DOCUMENTS**

2,831,948 A \* 4/1958 Fraser ..... 200/295  
D216,413 S \* 12/1969 Horil ..... D18/14  
4,609,946 A \* 9/1986 Thaler ..... 358/425  
5,810,164 A \* 9/1998 Rennecamp ..... 206/256  
6,022,102 A \* 2/2000 Ikkatai et al. .... 347/85

6,065,592 A \* 5/2000 Wik ..... 206/256  
6,206,514 B1 \* 3/2001 Tajima et al. .... 347/86  
6,715,865 B2 \* 4/2004 Yamaguchi et al. .... 347/87  
6,736,143 B2 \* 5/2004 Rennecamp ..... 131/240.1  
6,796,643 B2 \* 9/2004 Higuma et al. .... 347/85  
6,880,921 B2 \* 4/2005 Aponte et al. .... 347/86  
7,029,108 B2 \* 4/2006 Aponte et al. .... 347/87  
2004/0051765 A1 \* 3/2004 Aponte et al. .... 347/86

\* cited by examiner

*Primary Examiner*—Robert M. Spear

*Assistant Examiner*—Anna K Dworzecka

(74) *Attorney, Agent, or Firm*—Oliff & Berridge, PLC

(57) **CLAIM**

The ornamental design for a printer, as shown and described.

**DESCRIPTION**

FIG. 1 is a perspective view of a printer showing our new design;

FIG. 2 is a front view thereof;

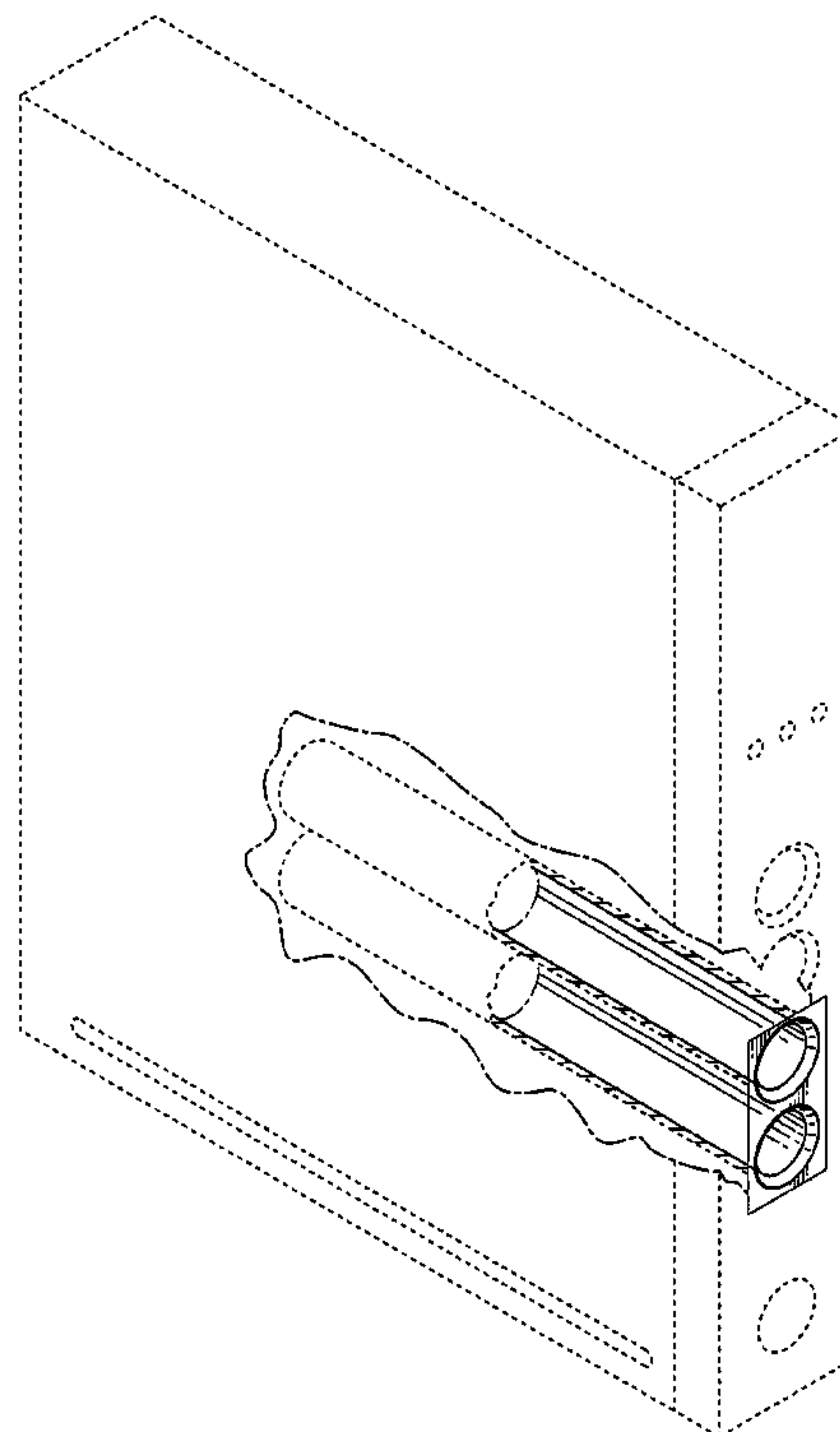
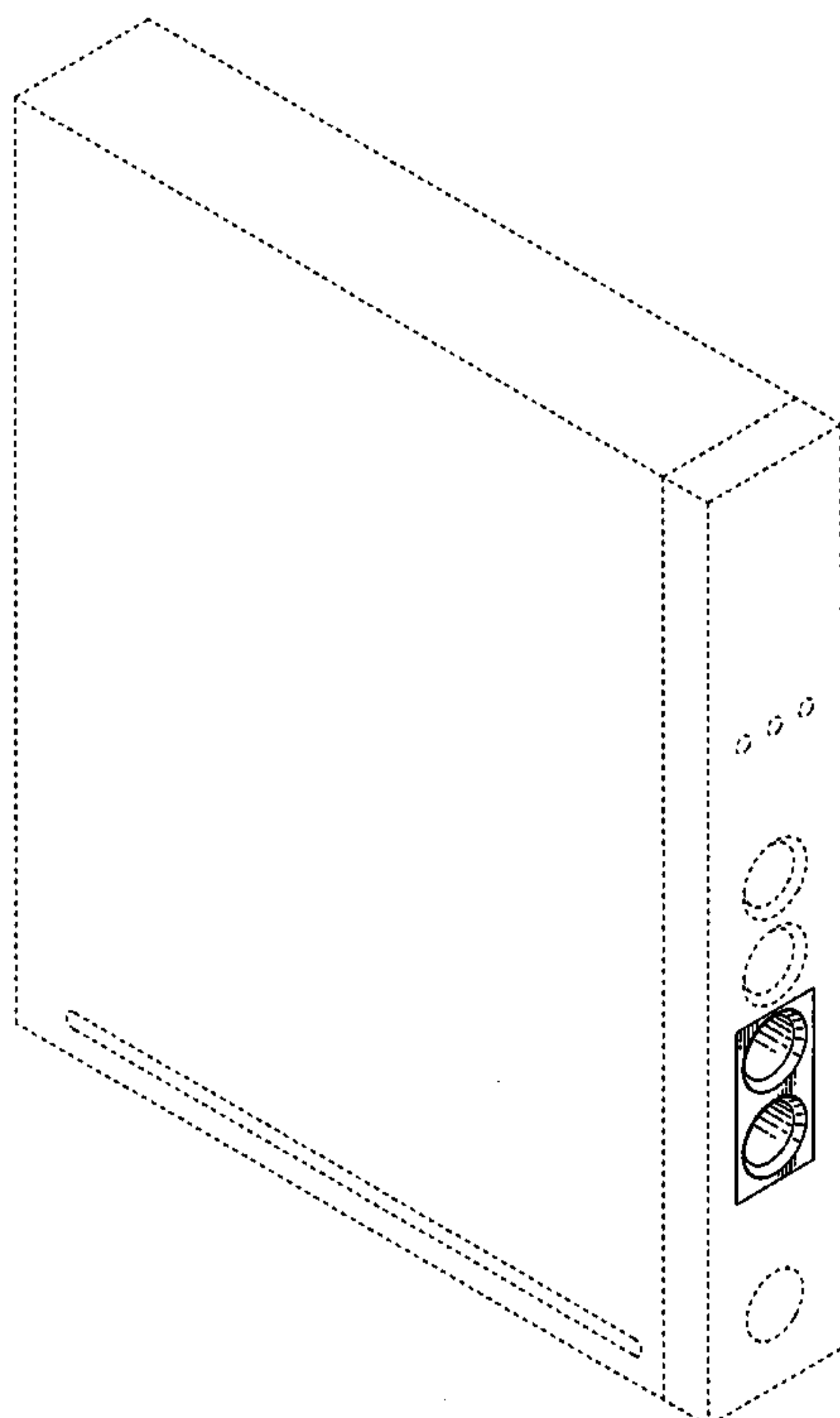
FIG. 3 is a cross-sectional view thereof taken along arrow 3—3 of FIG. 2; and,

FIG. 4 is another fragmentary perspective view showing the two tubular portions partially cut away to the interior claimed surfaces.

The broken lines are for illustrative purposes only and form no part of the claimed design.

The line-dot-line in FIG. 4 illustrates a portion of the printer for the purpose of revealing the claimed design.

**1 Claim, 4 Drawing Sheets**



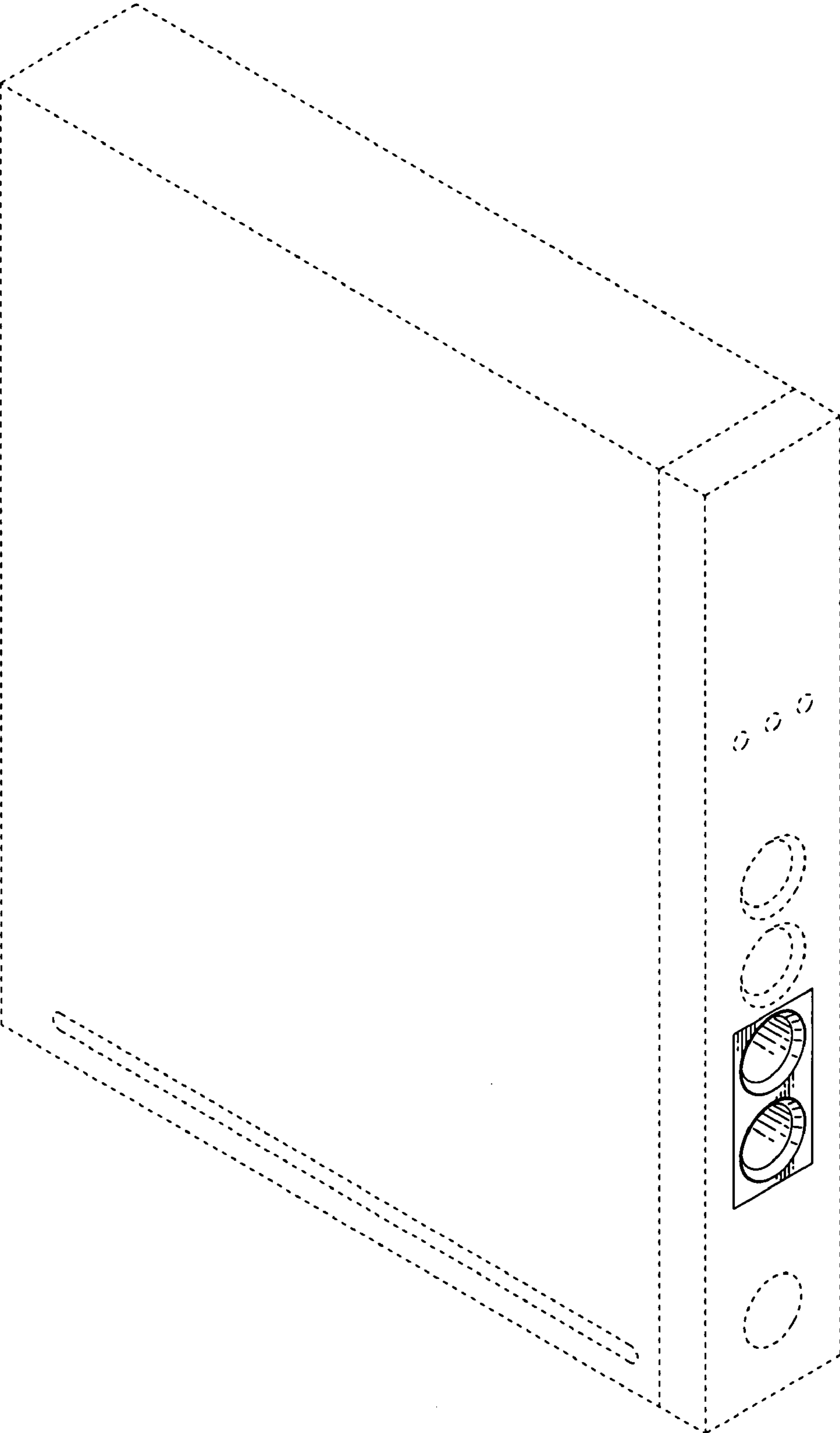


FIG. 1

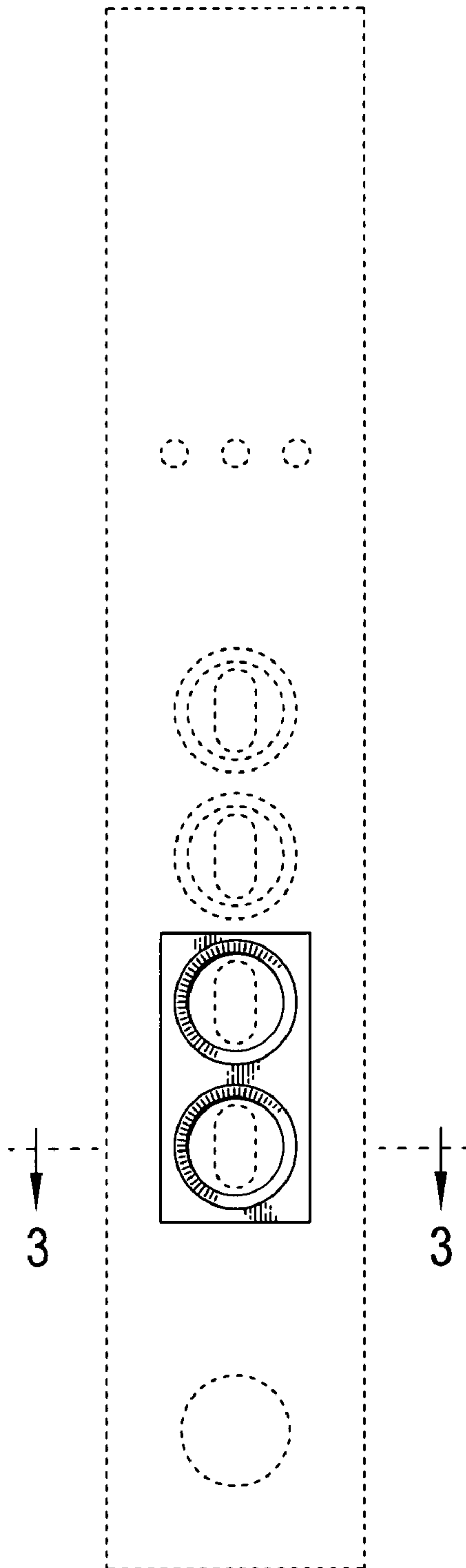


FIG. 2

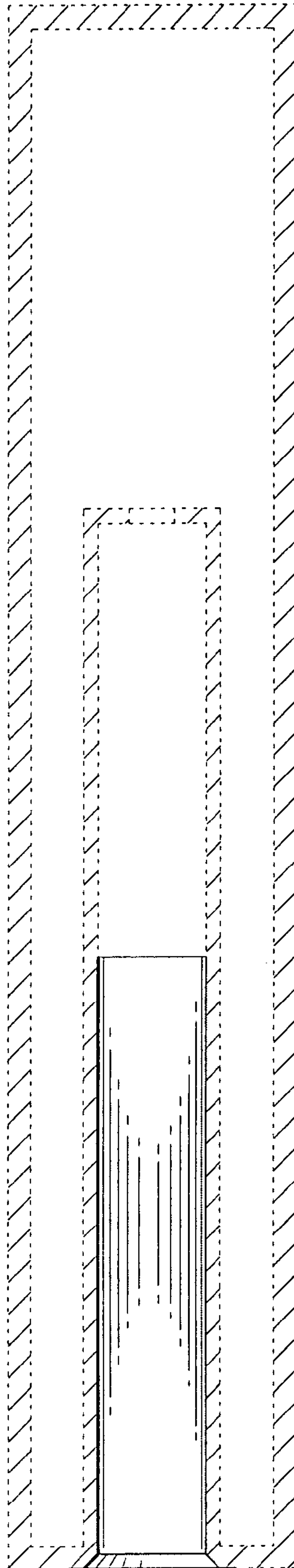


FIG. 3

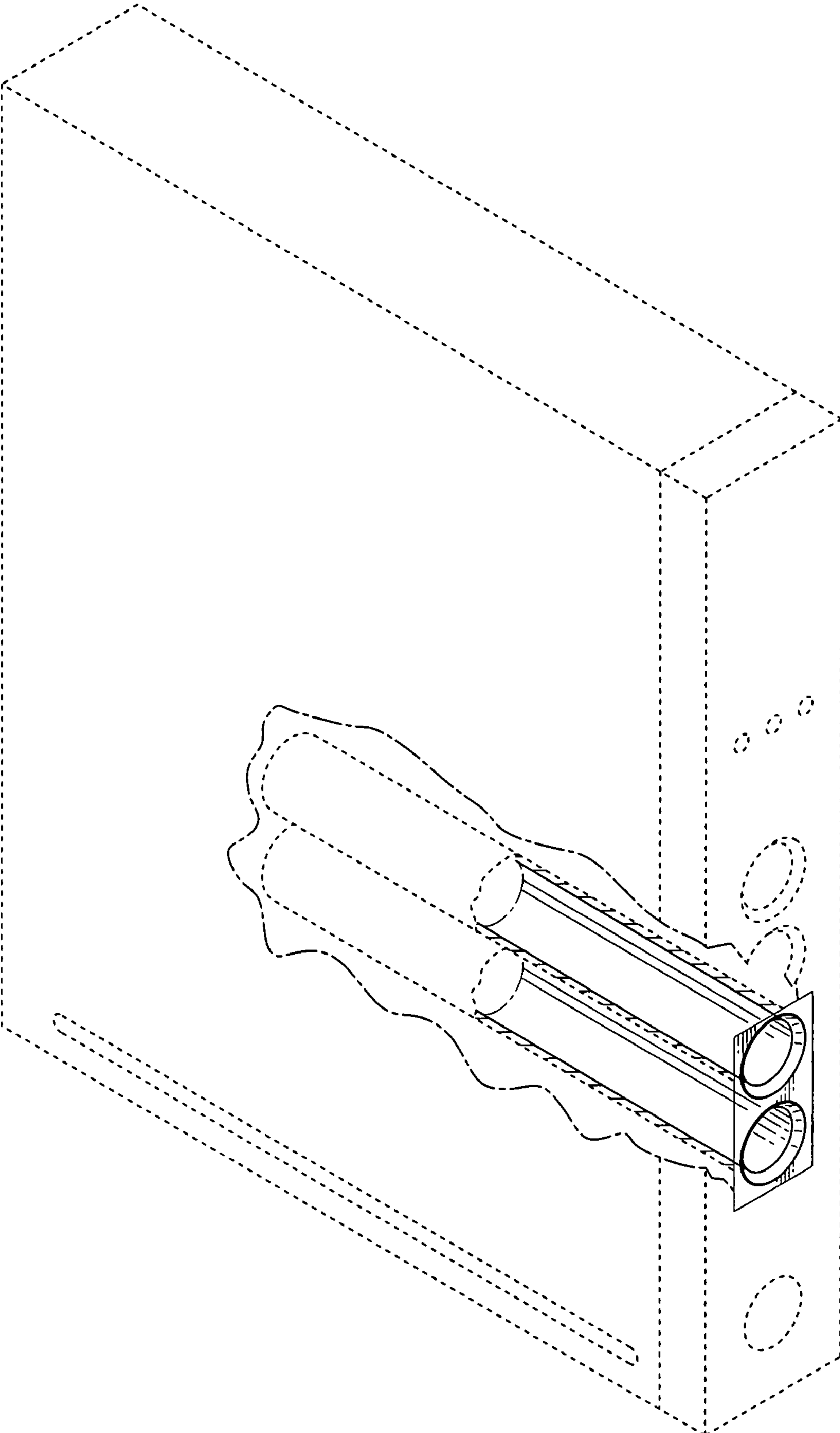


FIG. 4