



US00D562884S

(12) **United States Design Patent**
Hoshiya et al.

(10) **Patent No.:** **US D562,884 S**

(45) **Date of Patent:** **** Feb. 26, 2008**

(54) **PRINTER**

(75) Inventors: **Kazuhiro Hoshiya**, Shizuoka (JP);
Shigeharu Katayama, Kakamigahara
(JP); **Nobuyuki Iwai**, Aichi-ken (JP)

(73) Assignee: **Brother Industries, Ltd.**, Nagoya (JP)

(**) Term: **14 Years**

(21) Appl. No.: **29/261,335**

(22) Filed: **Jun. 13, 2006**

(30) **Foreign Application Priority Data**

Dec. 13, 2005 (JP) 2005-036716

(51) **LOC (8) Cl.** **18-02**

(52) **U.S. Cl.** **D18/50**

(58) **Field of Classification Search** D18/50,
D18/54, 54.1, 55; D14/420-425, 462-470;
400/613, 613.1-613.4, 691-694, 690.1-690.4
See application file for complete search history.

(56) **References Cited**

U.S. PATENT DOCUMENTS

- 3,107,596 A * 10/1963 Arnold et al. D18/36
- D289,050 S * 3/1987 Wilson et al. D18/54.1
- D294,703 S * 3/1988 Kando D14/462
- D299,927 S * 2/1989 Aoyama D18/37
- D322,980 S * 1/1992 Mckinnon et al. D18/50
- D334,567 S * 4/1993 Someya et al. D14/462

- D340,067 S * 10/1993 Arakaki et al. D18/55
- D344,079 S * 2/1994 Inukai et al. D14/462
- D358,410 S * 5/1995 Hernandez D18/36
- 5,706,729 A * 1/1998 Tai et al. 400/613
- D412,520 S * 8/1999 Krastel et al. D14/421
- 6,109,805 A * 8/2000 Ono et al. 400/613
- D432,160 S * 10/2000 Kabumoto et al. D18/37
- D461,843 S * 8/2002 Hattori et al. D18/50
- D525,626 S * 7/2006 Fukunaga et al. D14/462
- 7,090,345 B2 * 8/2006 Pierce 400/693
- 7,125,184 B2 * 10/2006 Cheng et al. 400/693

* cited by examiner

Primary Examiner—Cathy Anne MacCormac

(74) *Attorney, Agent, or Firm*—Oliff & Berridge, PLC

(57) **CLAIM**

The ornamental design for a printer, as shown and described.

DESCRIPTION

FIG. 1 is a perspective view of a printer;

FIG. 2 is a front view thereof;

FIG. 3 is a right-side view thereof;

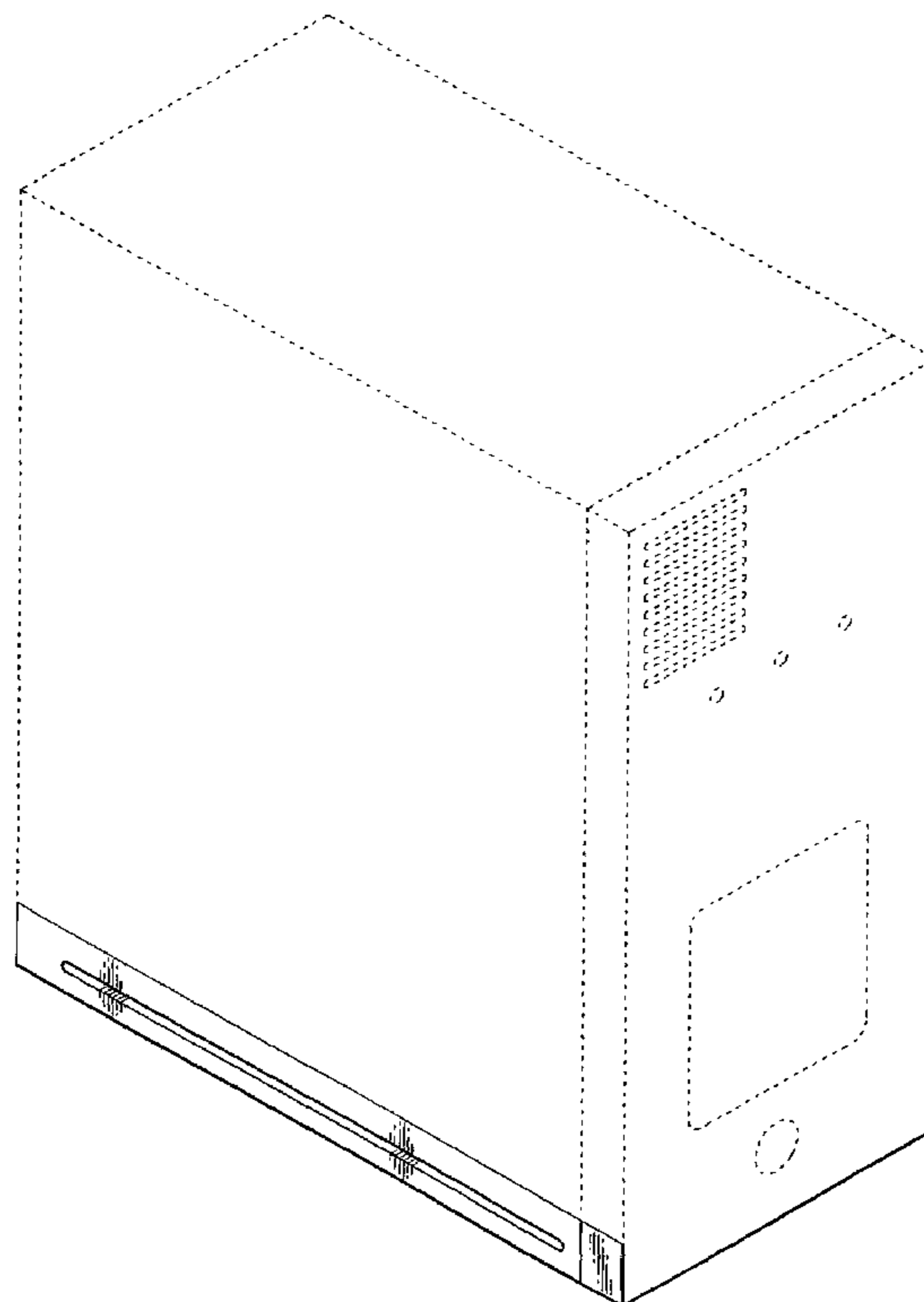
FIG. 4 is a left-side view thereof;

FIG. 5 is a rear view thereof; and,

FIG. 6 is a bottom view thereof.

The broken lines are for illustrative purposes only and form no part of the claimed design.

1 Claim, 6 Drawing Sheets



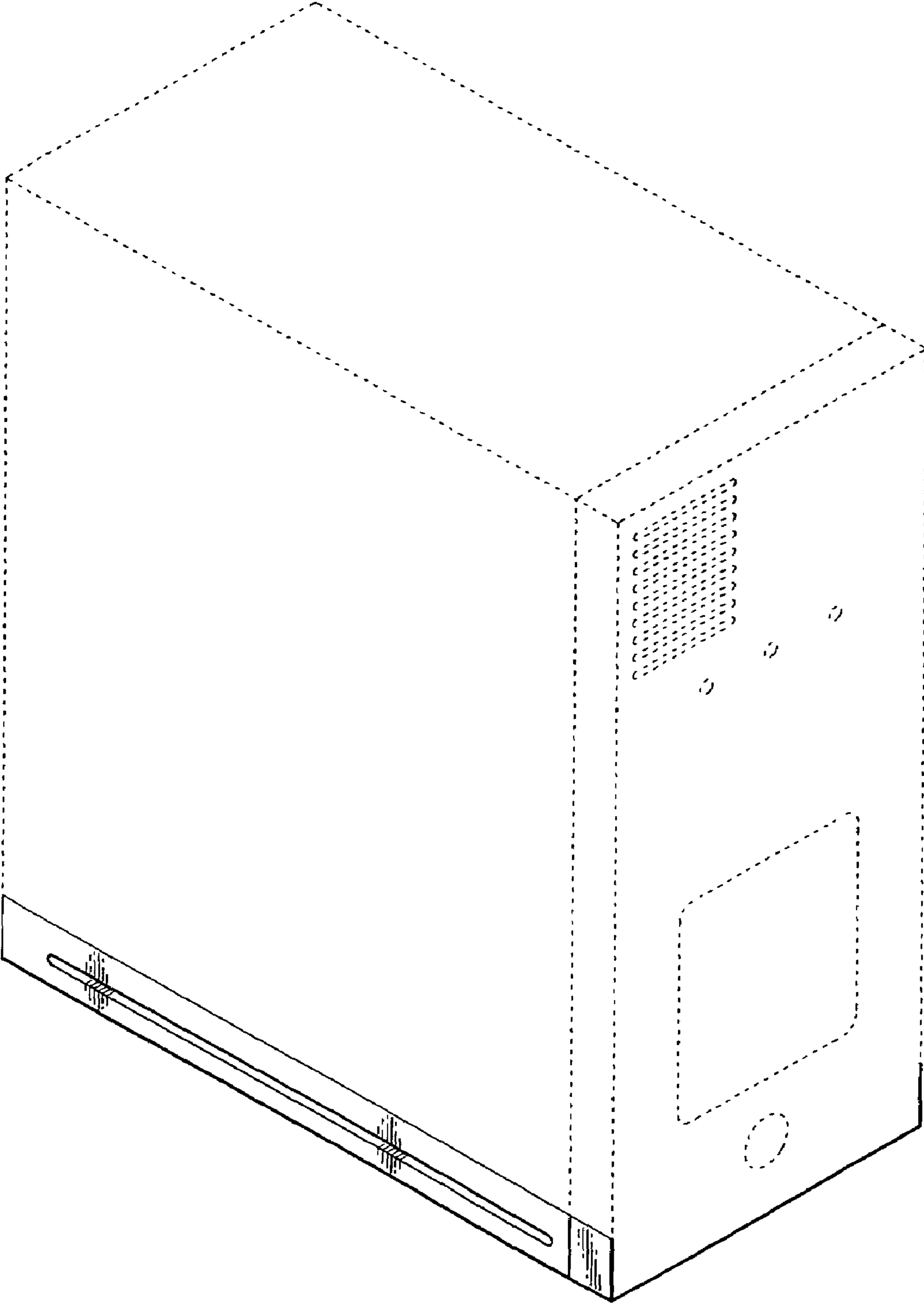


FIG. 1

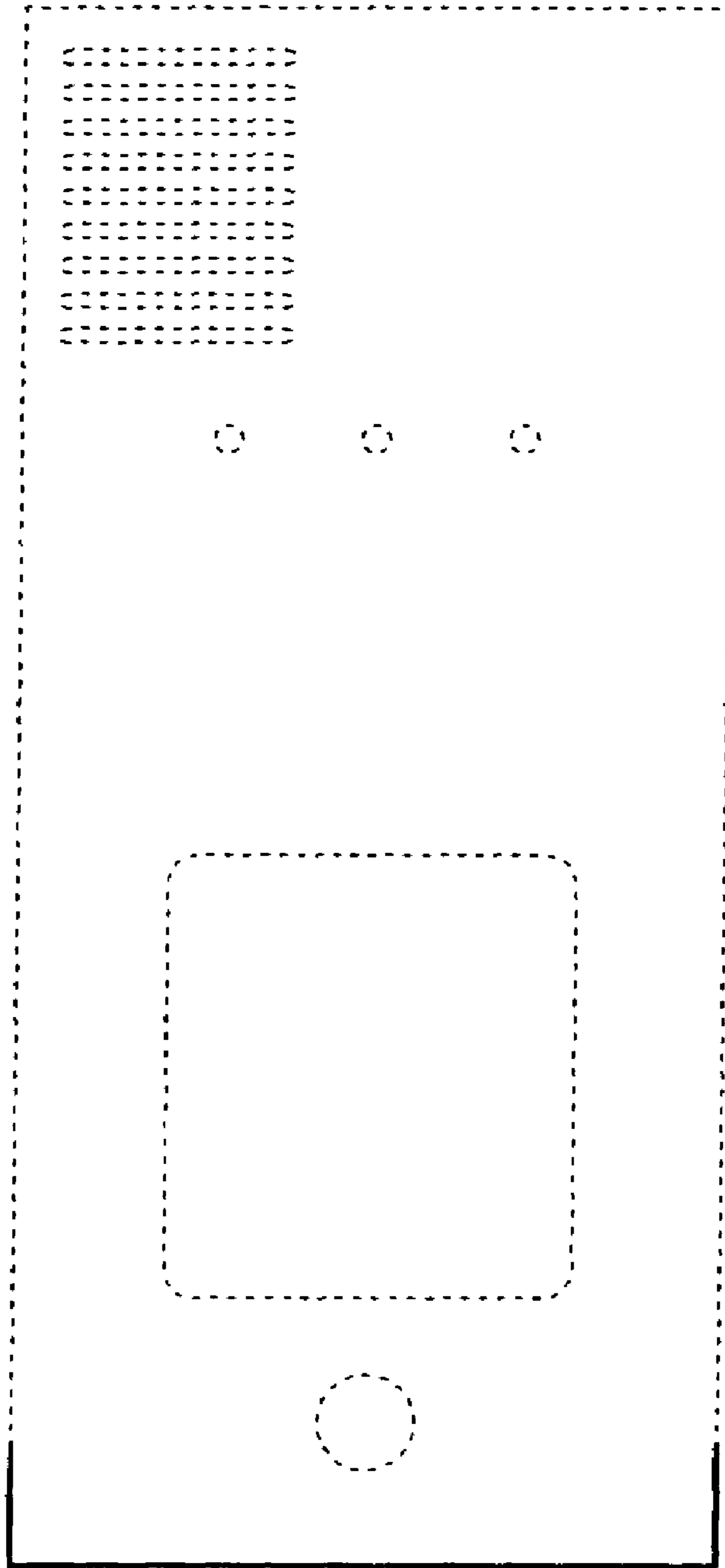


FIG. 2

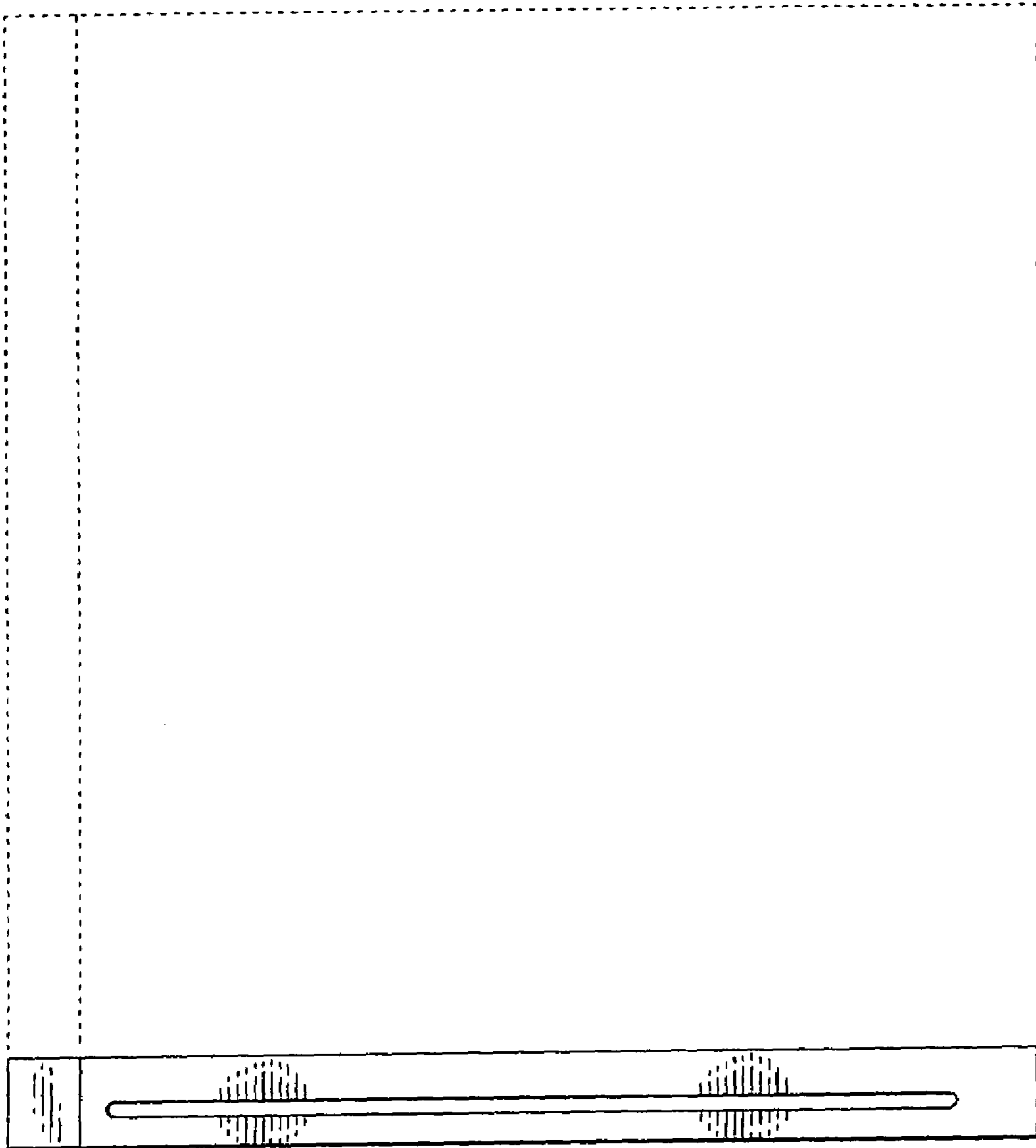


FIG. 3

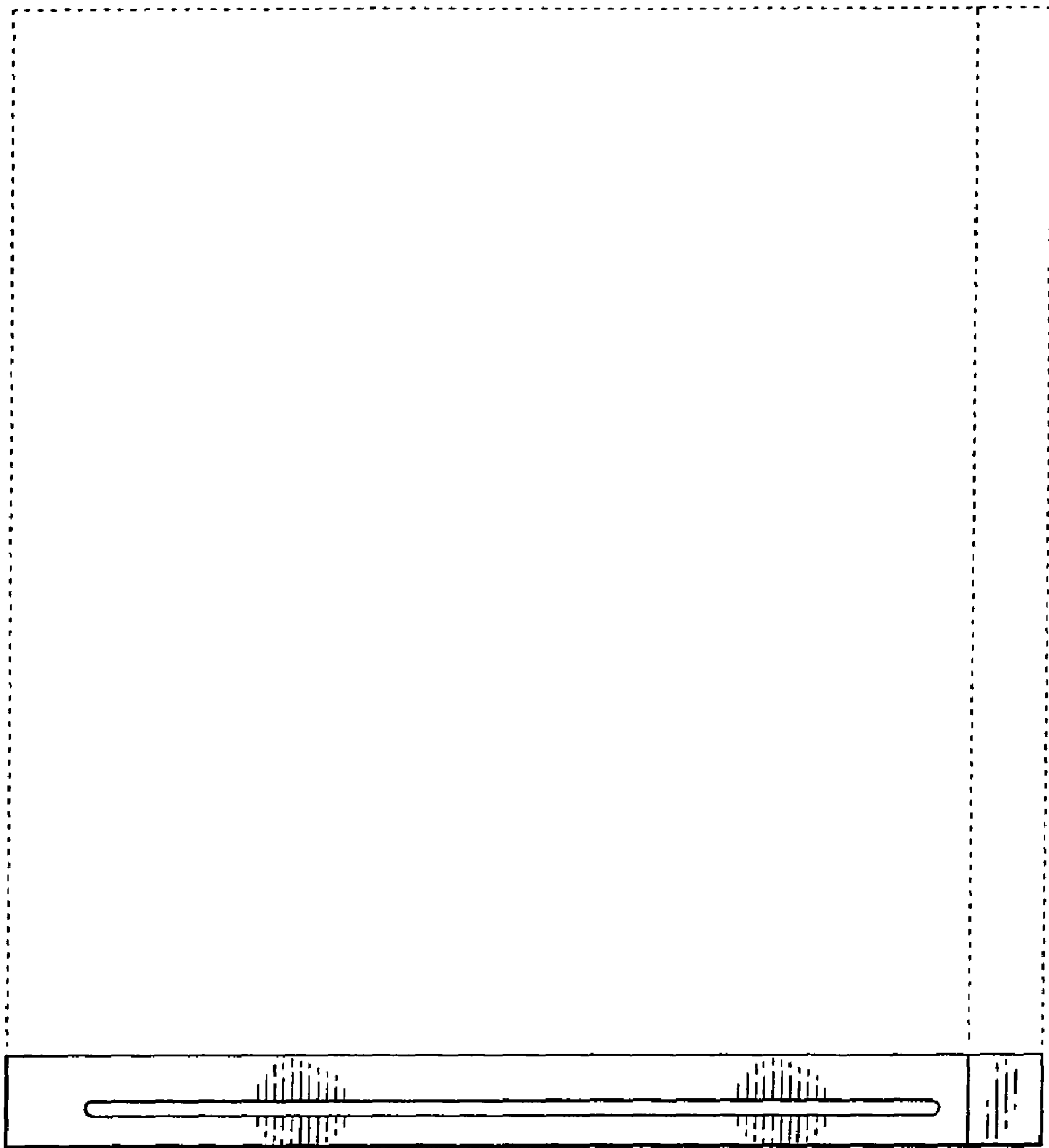


FIG. 4

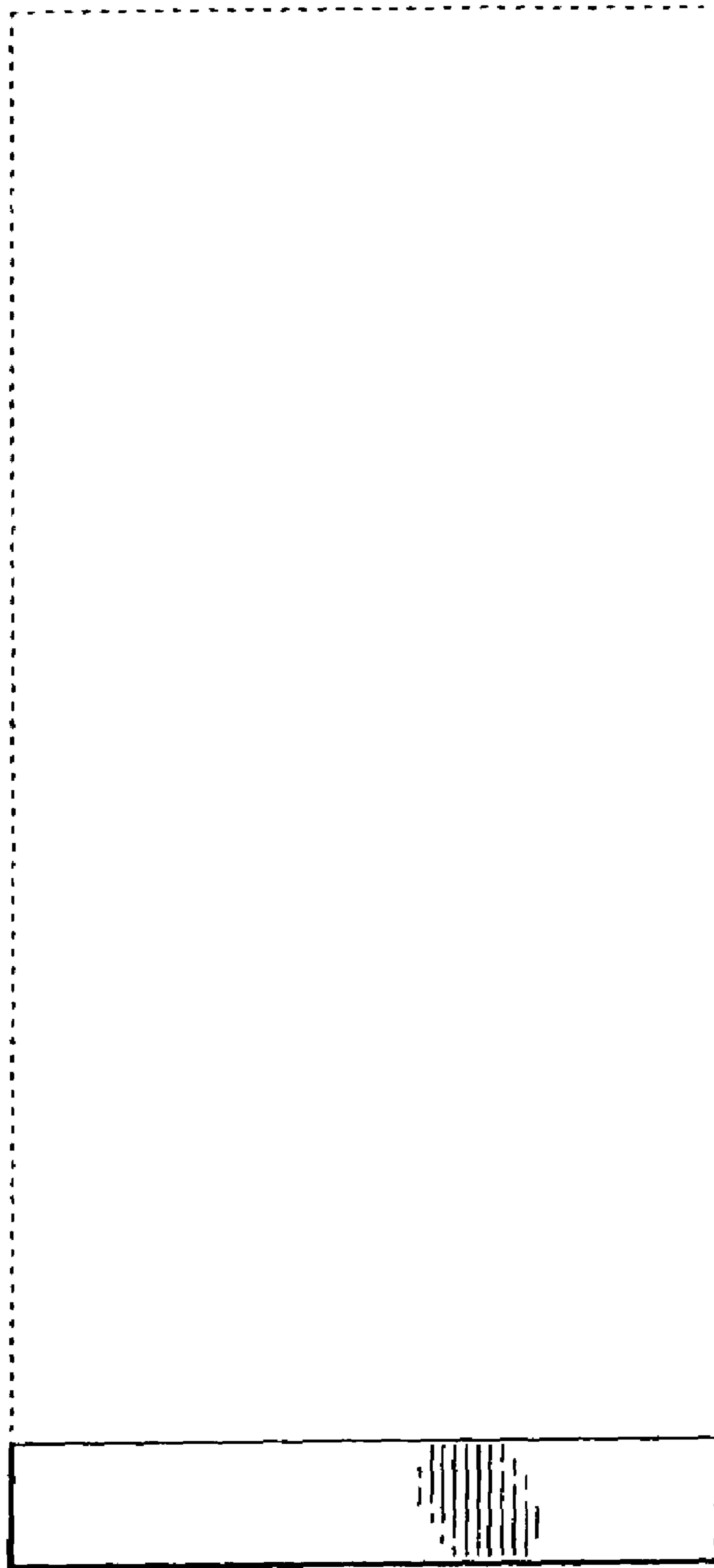


FIG. 5

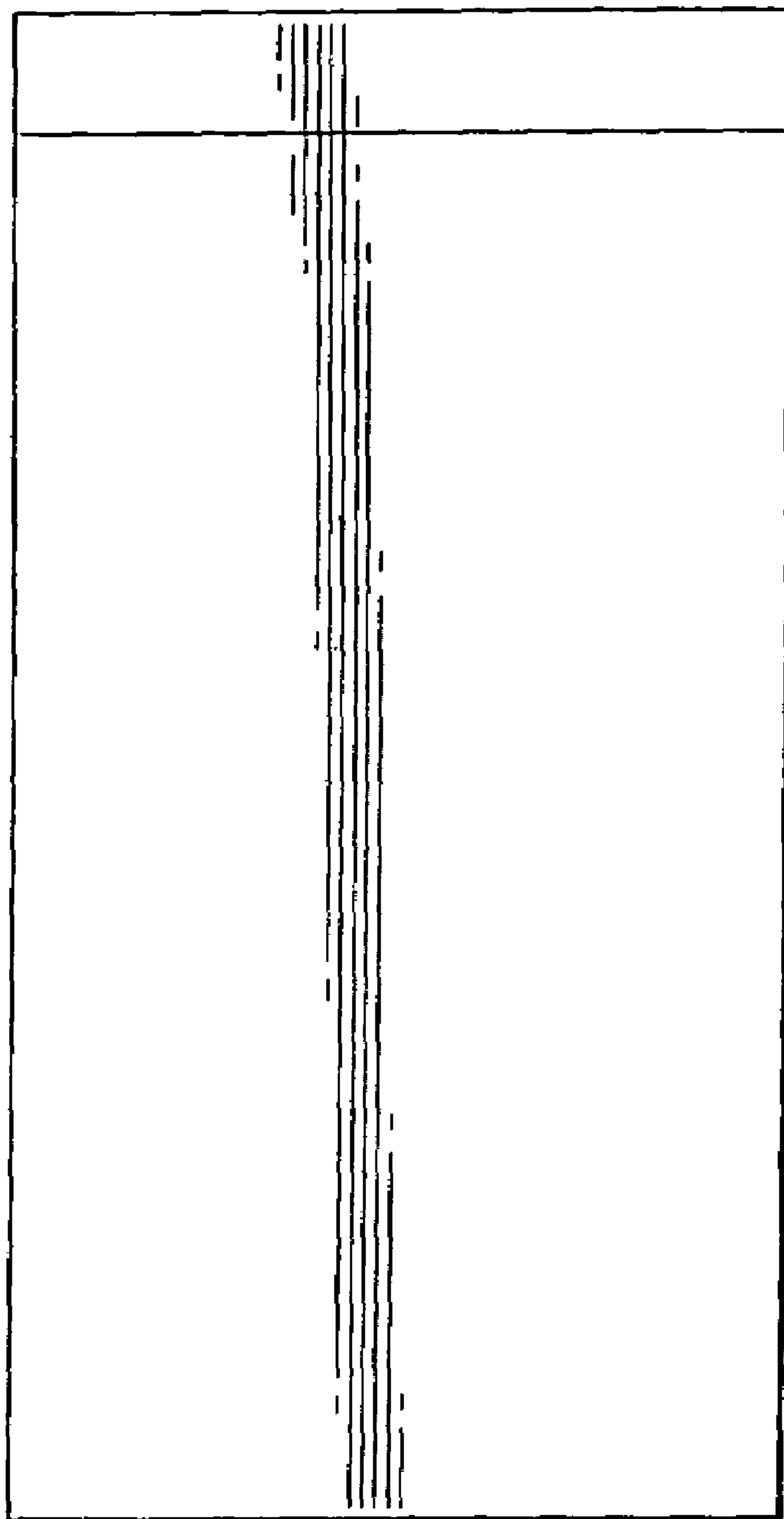


FIG. 6