



US00D562882S

(12) **United States Design Patent**  
**Hatanaka**

(10) **Patent No.:** **US D562,882 S**

(45) **Date of Patent:** **\*\* Feb. 26, 2008**

(54) **TONER CARTRIDGE**

(75) Inventor: **Hiroshi Hatanaka**, Nara (JP)

(73) Assignee: **Kyocera Mita Corporation**, Osaka (JP)

(\*\*) Term: **14 Years**

(21) Appl. No.: **29/264,498**

(22) Filed: **Aug. 11, 2006**

(30) **Foreign Application Priority Data**

Feb. 17, 2006 (JP) ..... 2006-003757

(51) **LOC (8) Cl.** ..... **16-03**

(52) **U.S. Cl.** ..... **D18/43**

(58) **Field of Classification Search** ..... D14/471;  
D18/12, 36, 40, 43, 44, 56; 222/DIG. 1;  
347/197, 222; 399/24-28, 107-112, 119,  
399/121, 122, 222-224

See application file for complete search history.

(56) **References Cited**

**U.S. PATENT DOCUMENTS**

D442,624 S \* 5/2001 Maeshima ..... D18/43  
D447,168 S \* 8/2001 Nishimura ..... D18/43

D450,080 S \* 11/2001 Ashikari ..... D18/40  
D502,730 S \* 3/2005 Miyagawa ..... D18/40  
D524,848 S \* 7/2006 Murata ..... D18/43  
D524,849 S \* 7/2006 Komai ..... D18/43  
D525,289 S \* 7/2006 Murata ..... D18/43

\* cited by examiner

*Primary Examiner*—Joel Sincavage

*Assistant Examiner*—Garth Rademaker

(74) *Attorney, Agent, or Firm*—Global IP Counselors, LLP

(57) **CLAIM**

The ornamental design for a toner cartridge, as shown.

**DESCRIPTION**

FIG. 1 is a top, rear, left side perspective view of a toner cartridge in accordance with my new design.;

FIG. 2 is a bottom, front, right side perspective view thereof;

FIG. 3 is a top plan view thereof;

FIG. 4 is a front elevational view thereof;

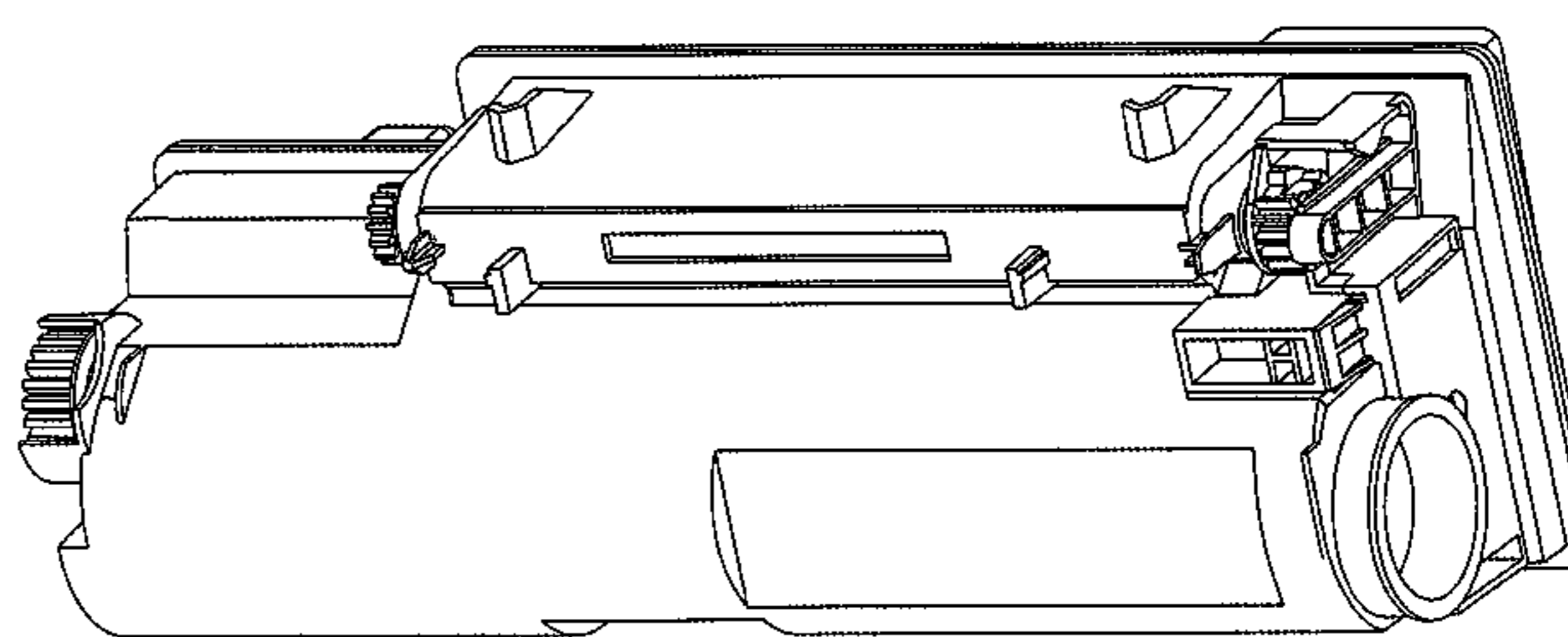
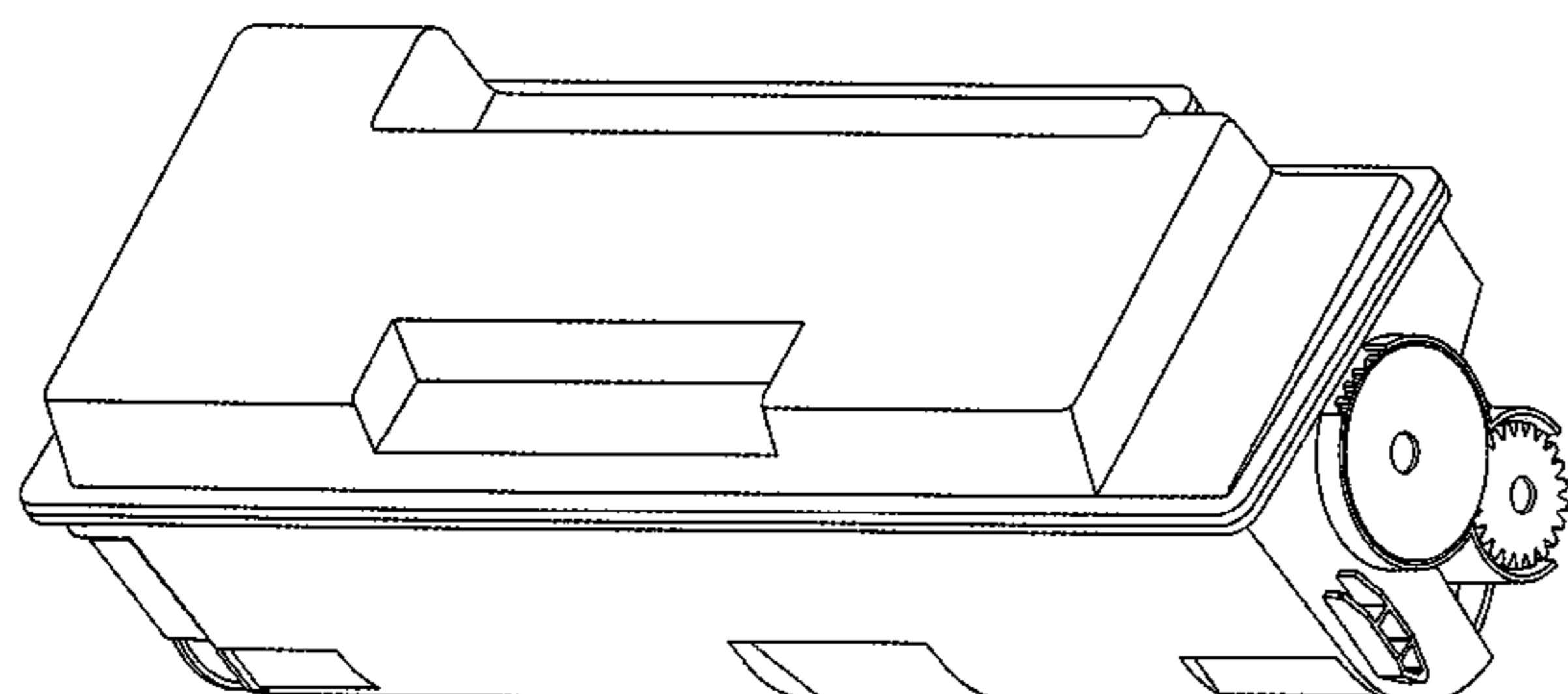
FIG. 5 is a left side elevational view thereof;

FIG. 6 is a right side elevational view thereof;

FIG. 7 is a rear elevational view thereof; and,

FIG. 8 is a bottom plan view thereof.

**1 Claim, 7 Drawing Sheets**



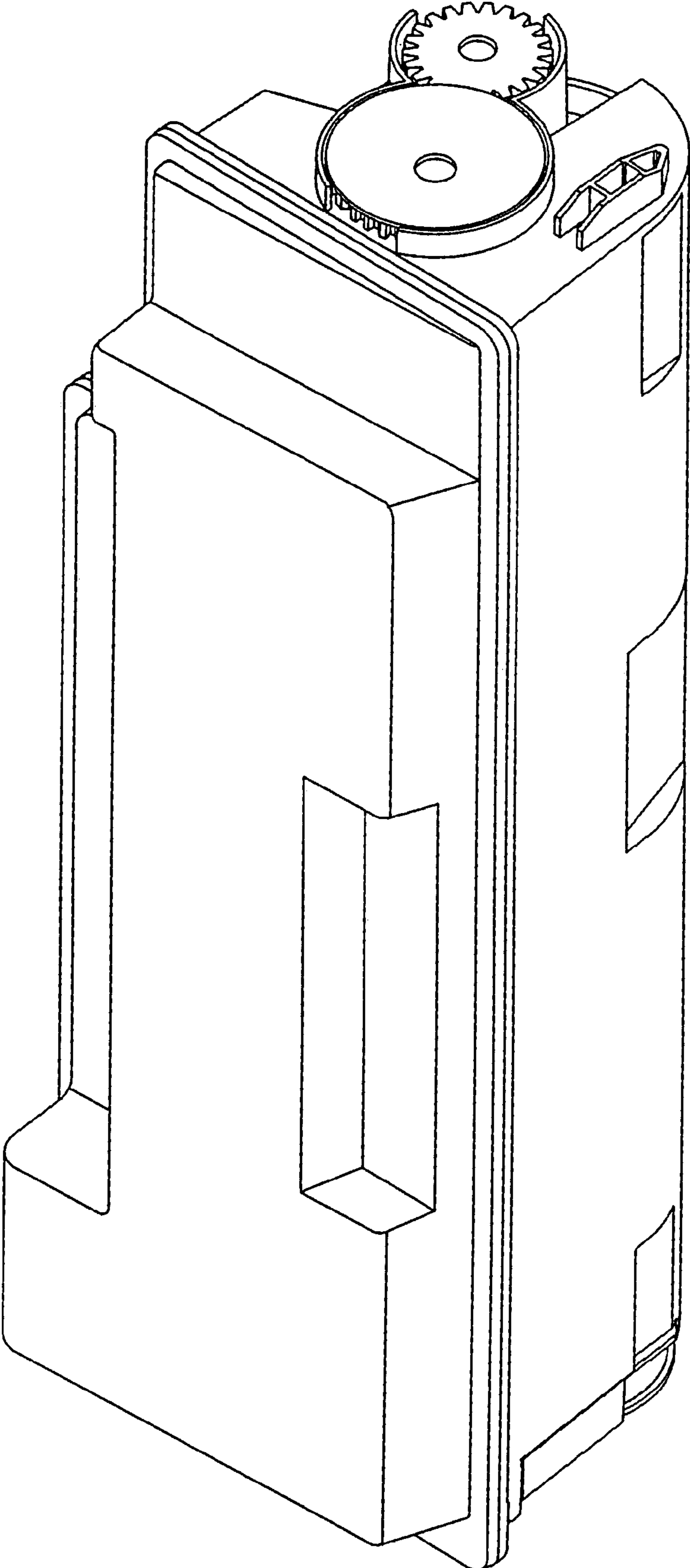


Fig. 1

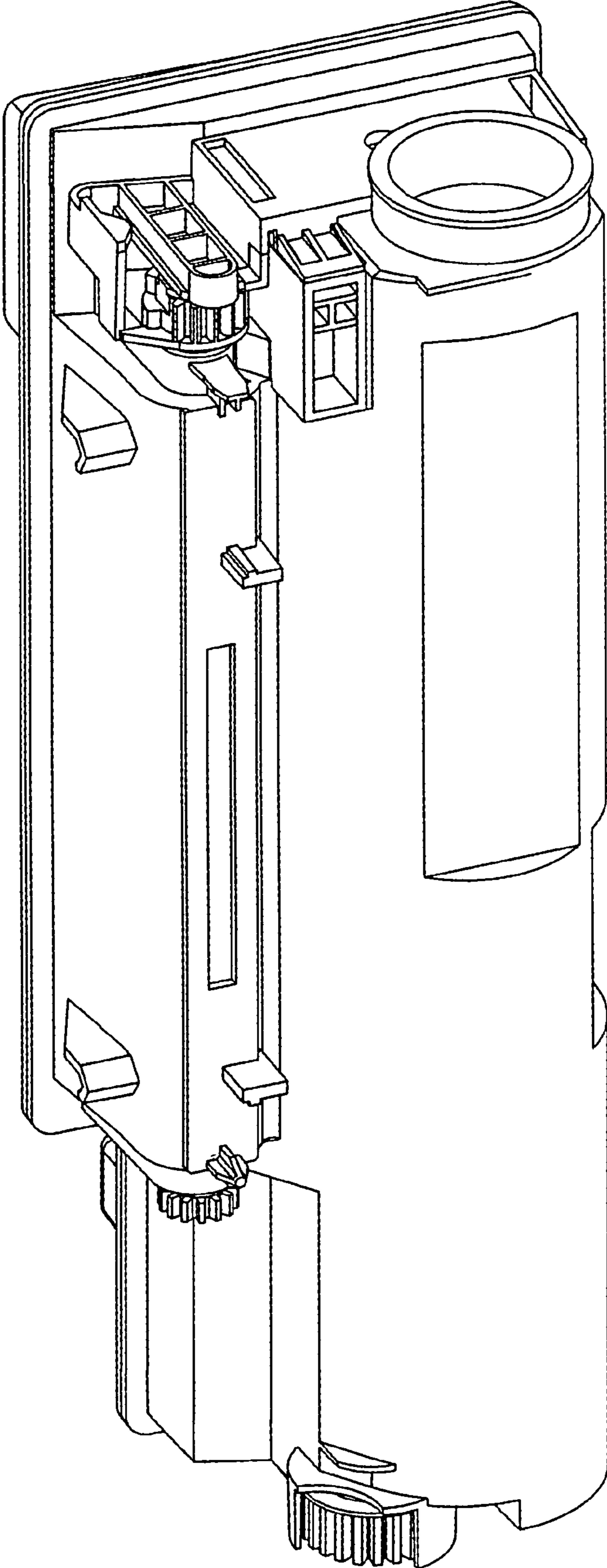


Fig. 2

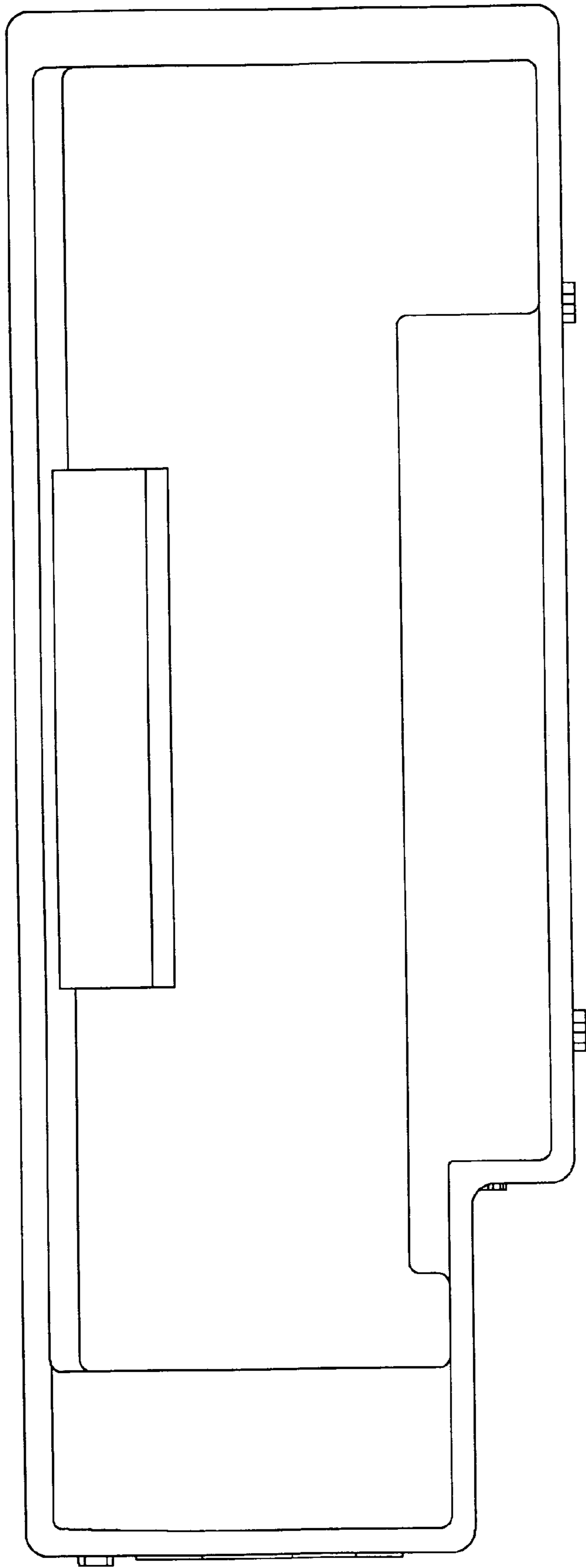


Fig. 3

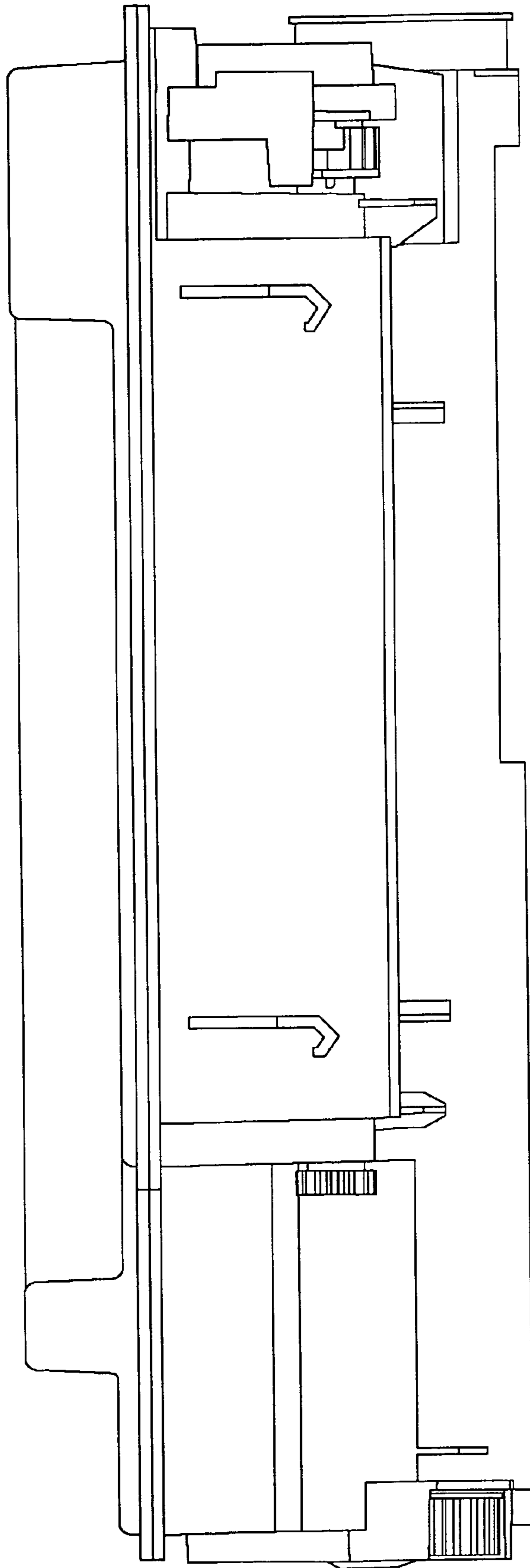


Fig. 4

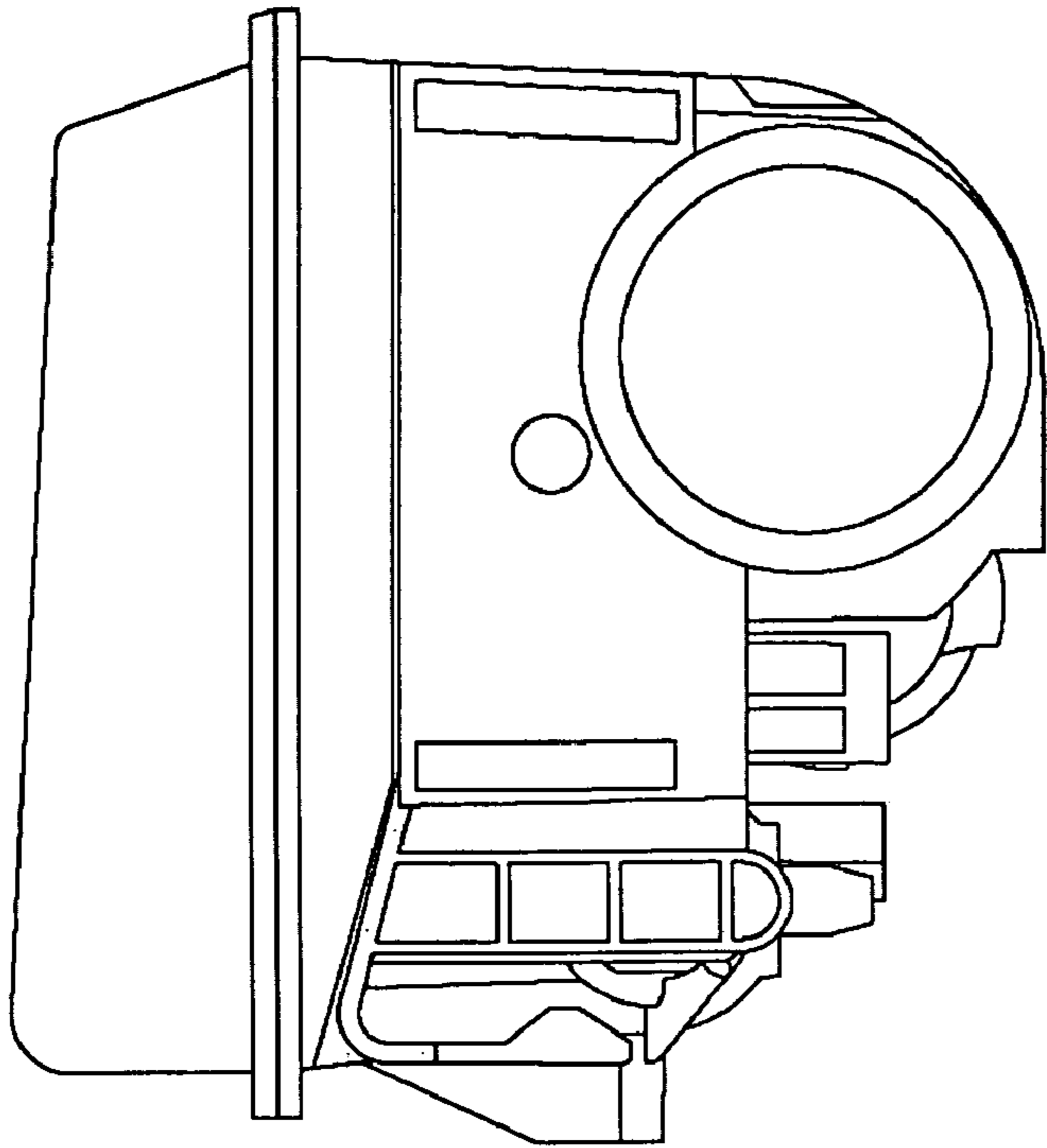


Fig. 6

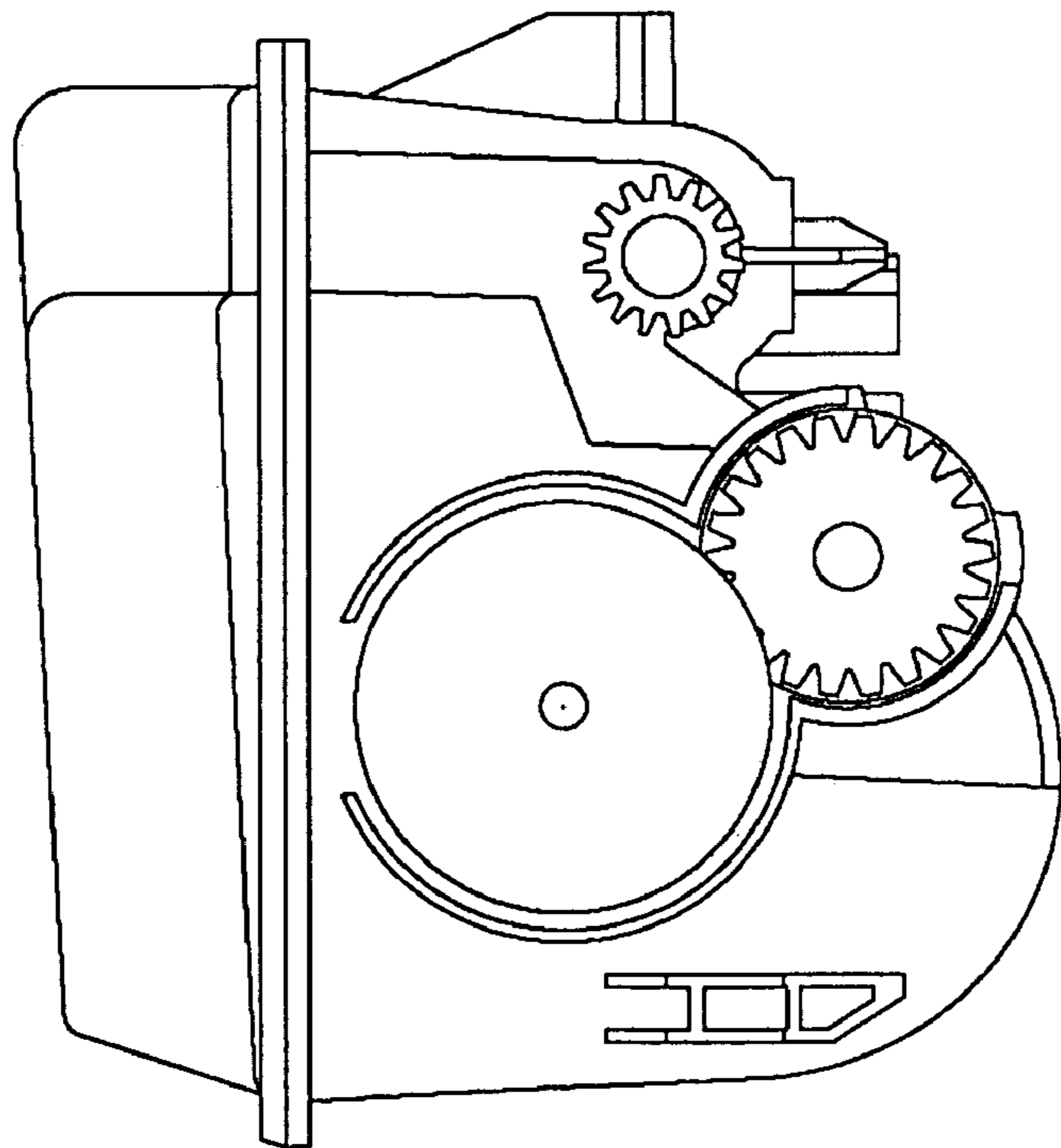


Fig. 5

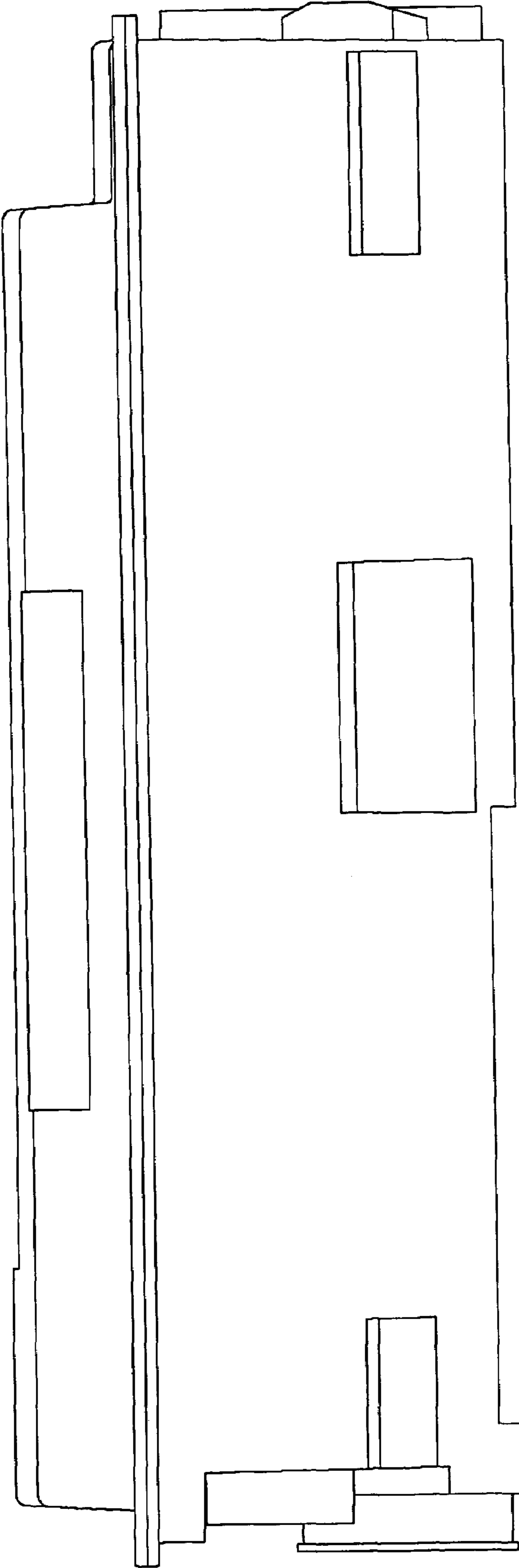


Fig. 7



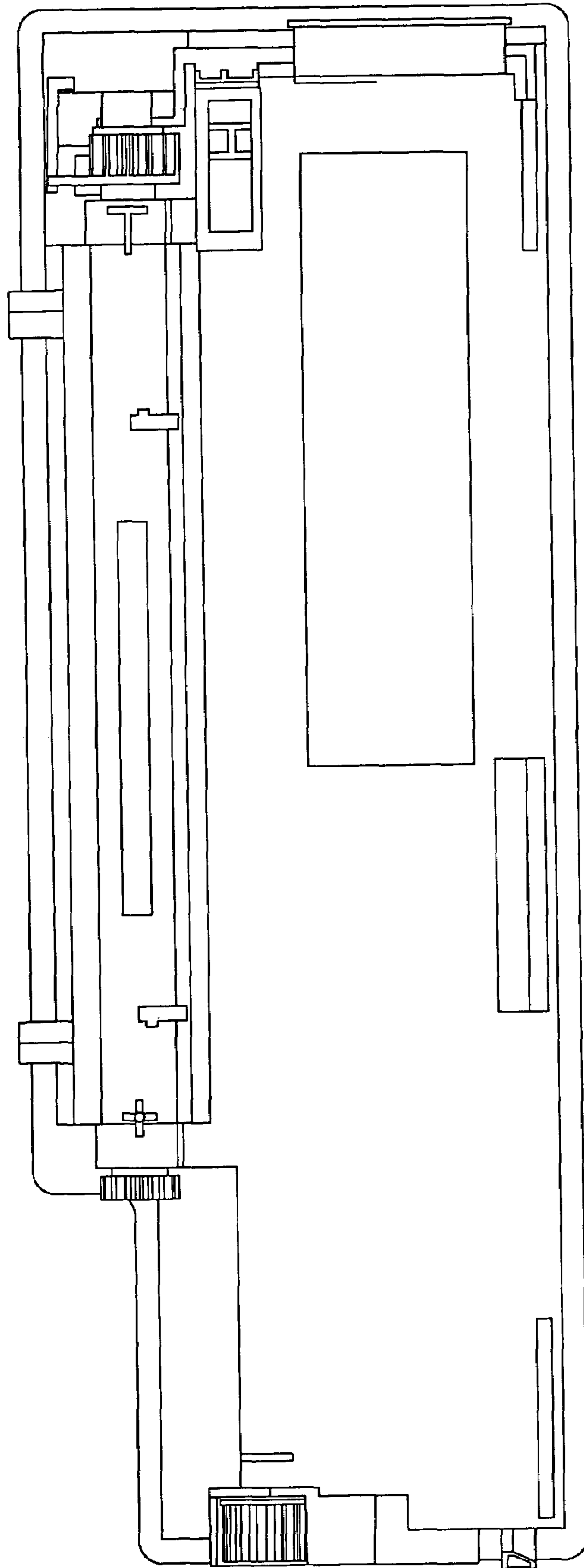


Fig. 8