



US00D562879S

(12) **United States Design Patent**
Lerner

(10) **Patent No.:** **US D562,879 S**
(45) **Date of Patent:** **** Feb. 26, 2008**

(54) **SPHERICAL DRUM SHELLS**

(76) Inventor: **Robert S. Lerner**, 7910 West Dr., Box 429, N. Bay Village, FL (US) 33141

(**) Term: **14 Years**

(21) Appl. No.: **29/244,051**

(22) Filed: **Dec. 2, 2005**

Related U.S. Application Data

(63) Continuation-in-part of application No. 11/161,749, filed on Aug. 15, 2005.

(51) **LOC (8) Cl.** **17-04**

(52) **U.S. Cl.** **D17/22**

(58) **Field of Classification Search** D17/22;
84/104, 111, 406, 411 P, 411 R, 419, 402-404,
84/413-416, 420, 422.4, DIG. 12, DIG. 24;
D21/406-408, 487

See application file for complete search history.

(56) **References Cited**

U.S. PATENT DOCUMENTS

1,054,009	A *	2/1913	Ludwig	84/419
1,269,984	A *	6/1918	Wanamaker	84/419
1,356,193	A *	10/1920	Danly	84/419
2,729,133	A *	1/1956	Ludwig	84/419
3,163,076	A *	12/1964	White	84/419
4,119,007	A *	10/1978	Criglar et al.	84/730
4,185,808	A *	1/1980	Donohoe et al.	248/295.11
4,741,242	A *	5/1988	Aronstein	84/454
2006/0174749	A1 *	8/2006	Lerner	84/419

OTHER PUBLICATIONS

Concrete Network.com. http://www.concretenetwork.com/buddy_rhodes/. Feb. 2006. Sphere Planter, Item A: center of page.*
Capri Lighting. <http://www.caprilighting.com/Capri/SWprdgrp.cfm>. Date Viewed: Nov. 2006. Opal Glass Ceiling Drum & Glass Ceiling Sphere, Item B: center of page.*

Clipart ETC. http://etc.usf.edu/clipart/4700/4716/kettle_drum_1.htm. Copyright 2003. Kettle Drum, Item C: center of page.*

* cited by examiner

Primary Examiner—Ian Simmons

Assistant Examiner—R. Johnson

(74) *Attorney, Agent, or Firm*—Jonathan R. Lagarenne; Christopher R. Kinkade; Fox Rothschild LLP

(57) **CLAIM**

The ornamental design for spherical drum shells, as shown and described.

DESCRIPTION

FIG. 1 is a front view of spherical drum shells showing my new design.

FIG. 2 is a rear view thereof.

FIG. 3 is a top view thereof.

FIG. 4 is a front view of a second embodiment of the spherical drum shells.

FIG. 5 is a rear view thereof.

FIG. 6 is a top view thereof.

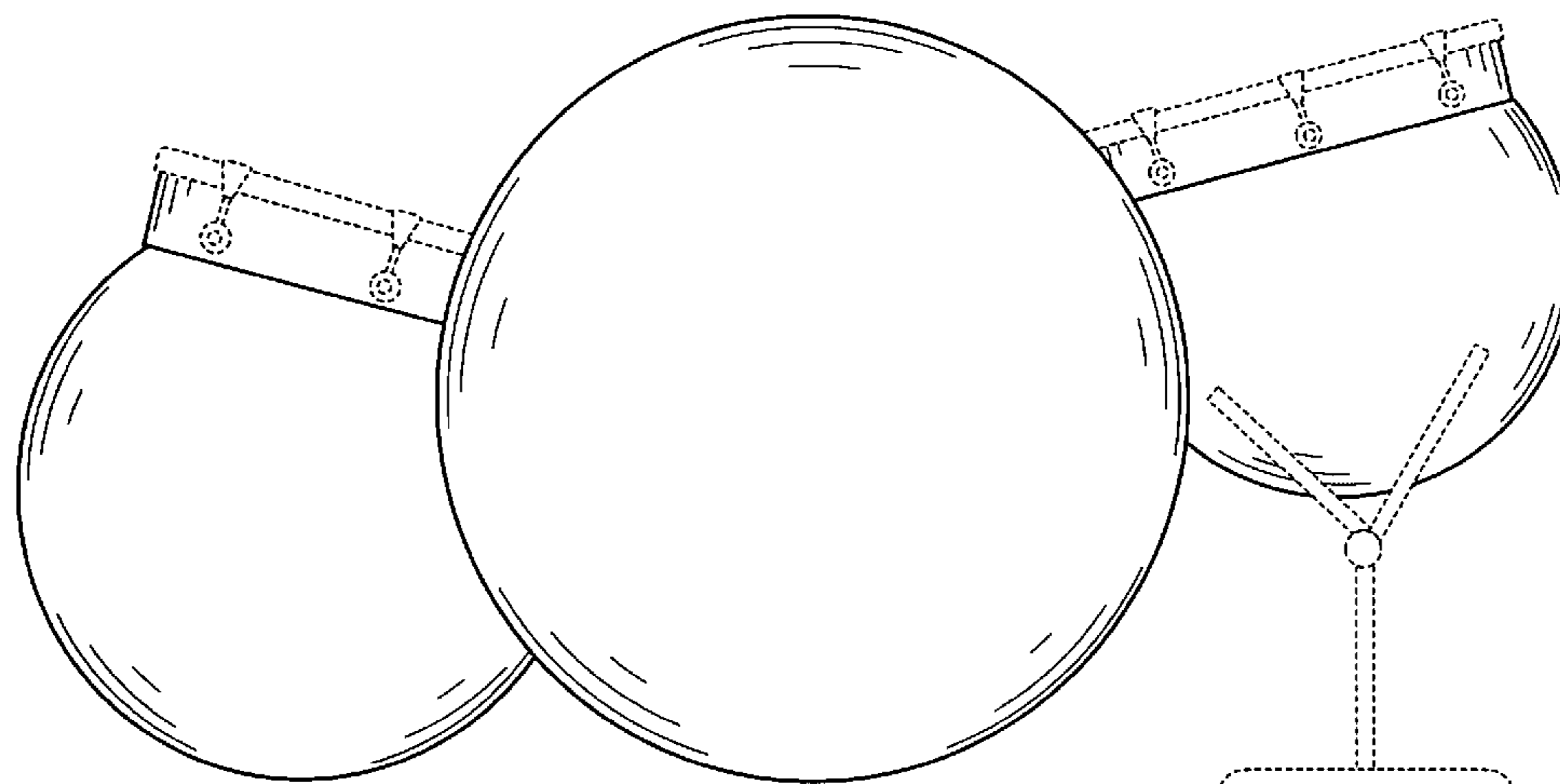
FIG. 7 is a front view of a third embodiment of the spherical drum shells.

FIG. 8 is a rear view thereof; and,

FIG. 9 is a top view thereof.

The broken lines showing the foot-pedal-operated baton, securing rim, drumhead, and support stand are included for the purposes of illustrating environmental structure and form no part of the claimed design.

1 Claim, 9 Drawing Sheets



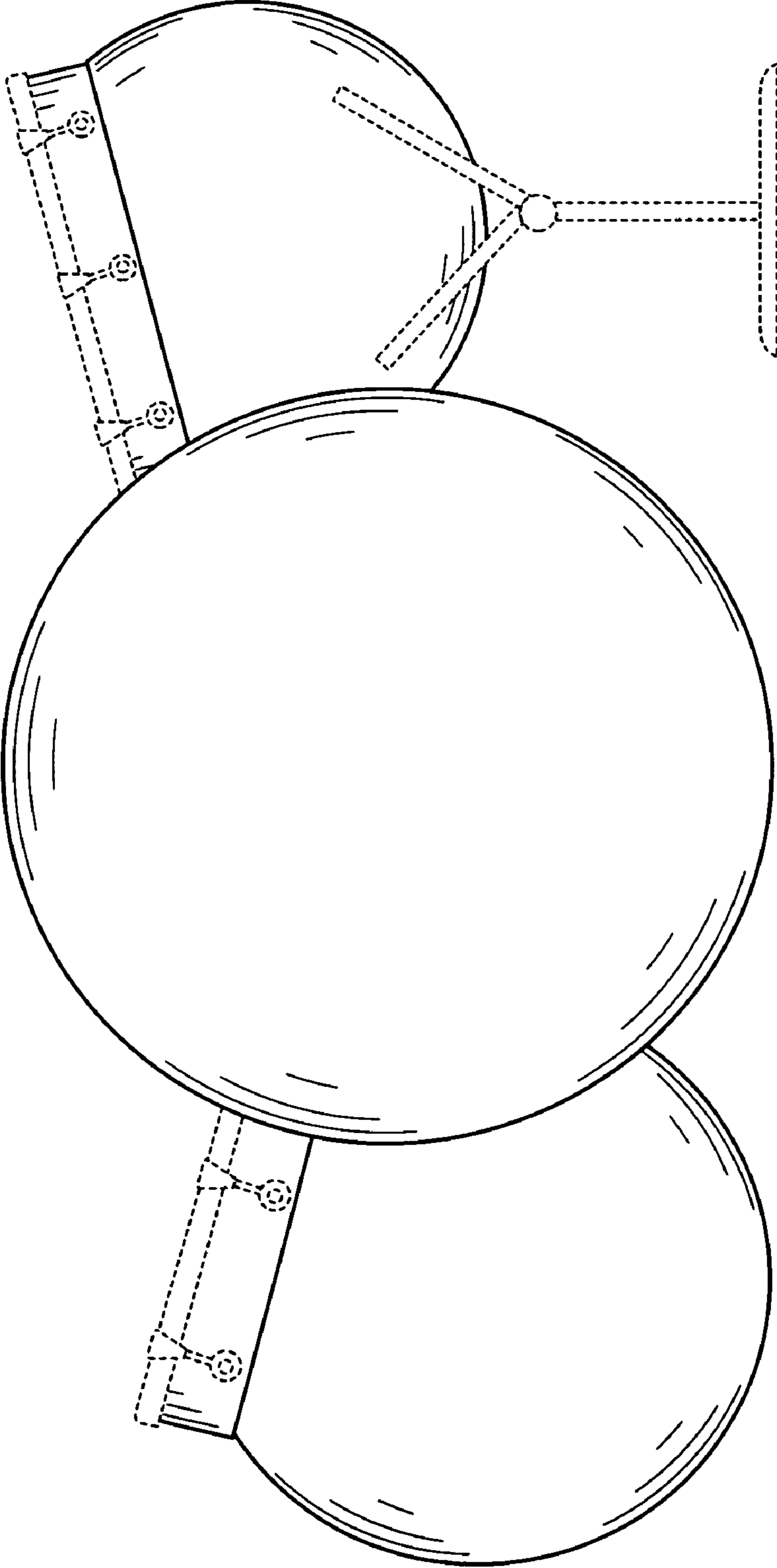


FIG. 1

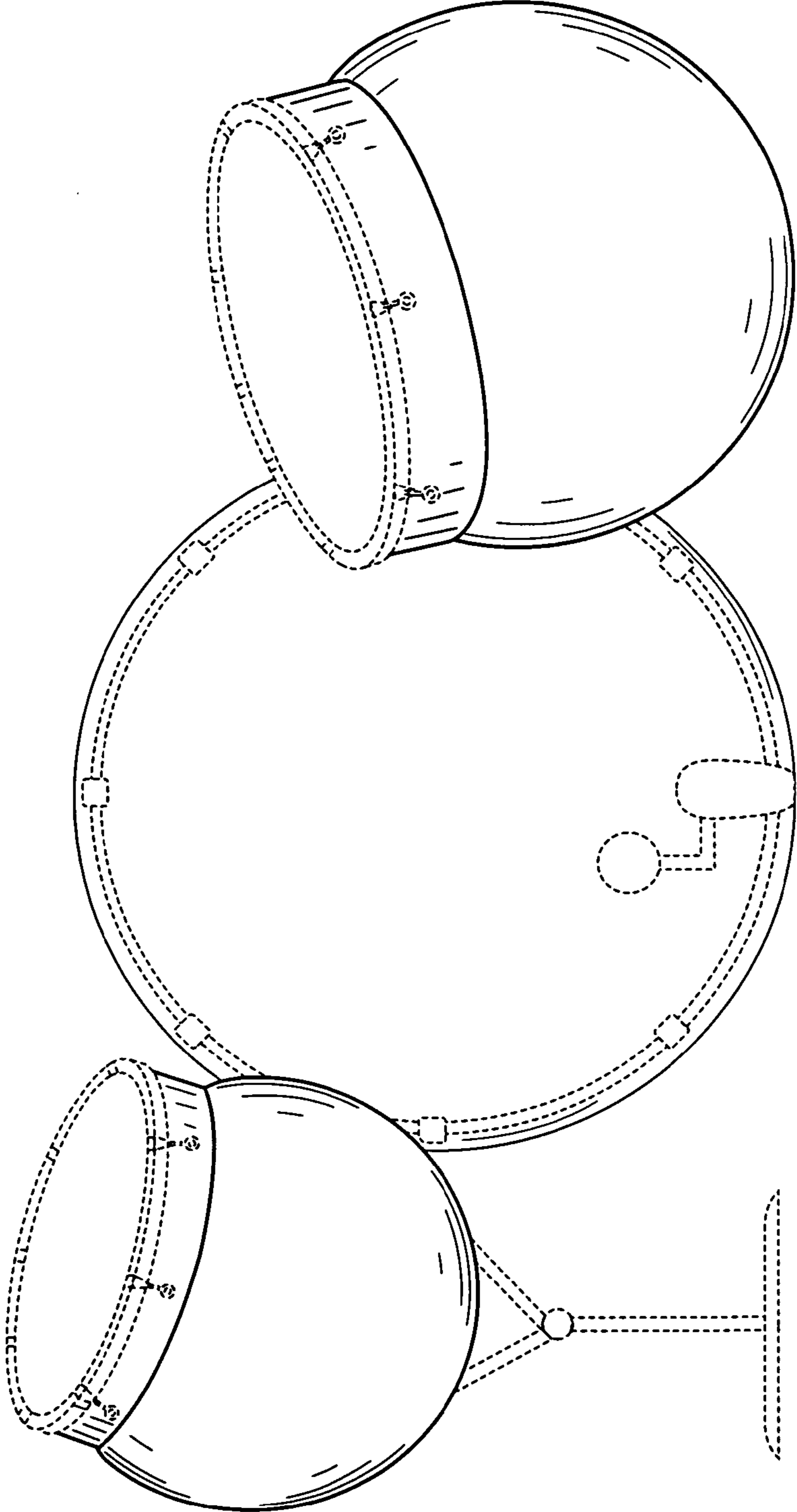


FIG. 2

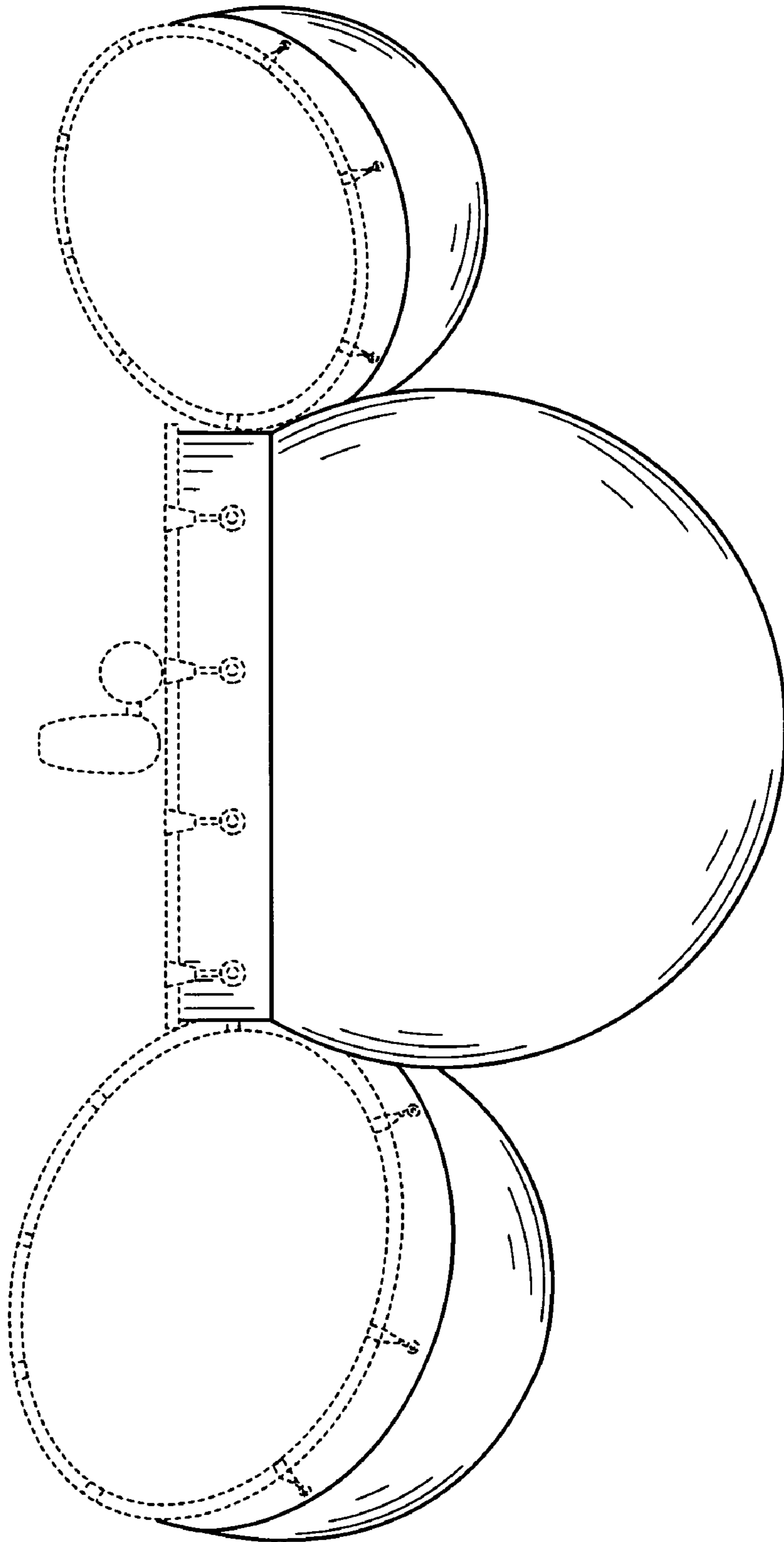


FIG. 3

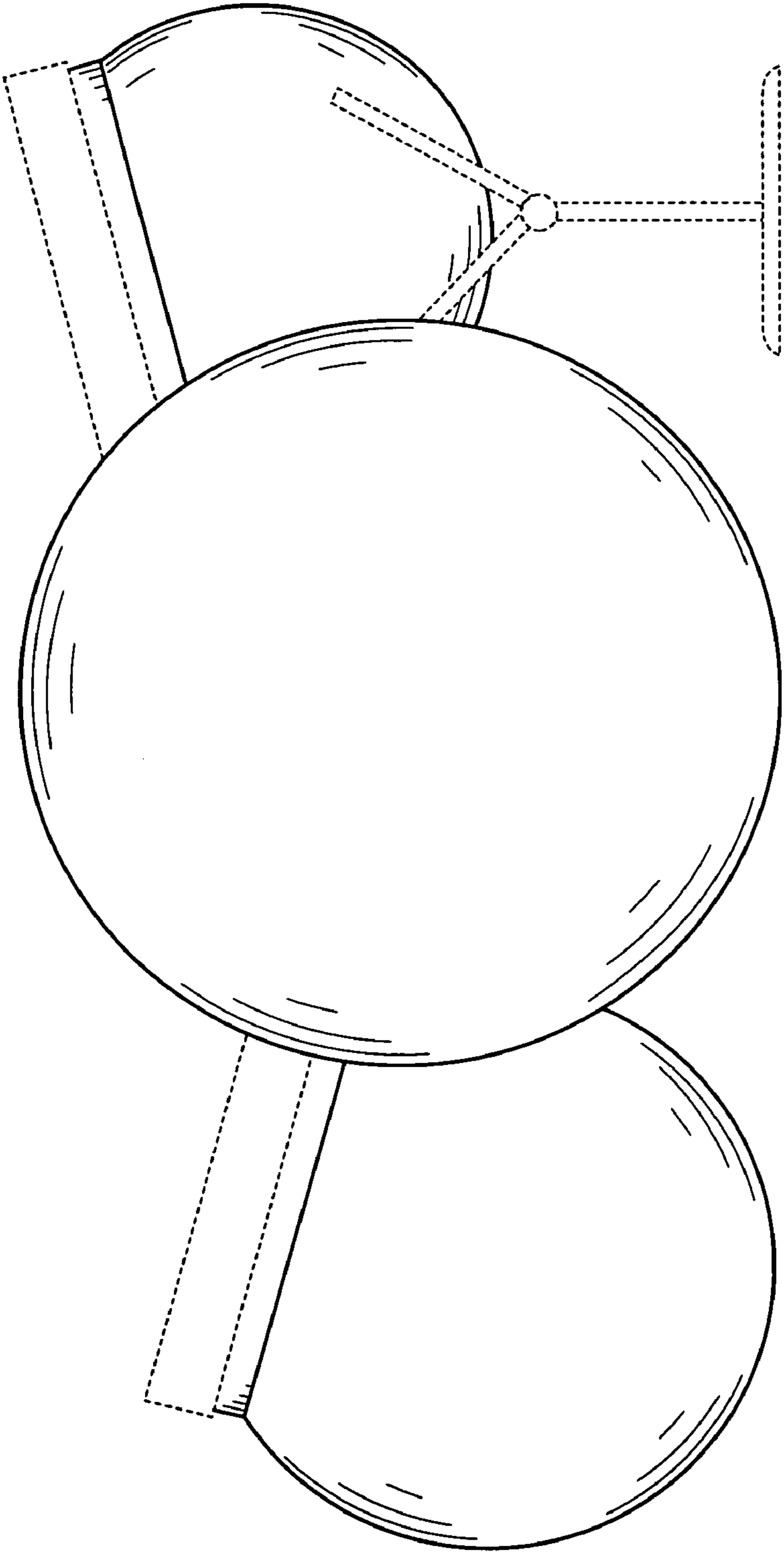


FIG. 4

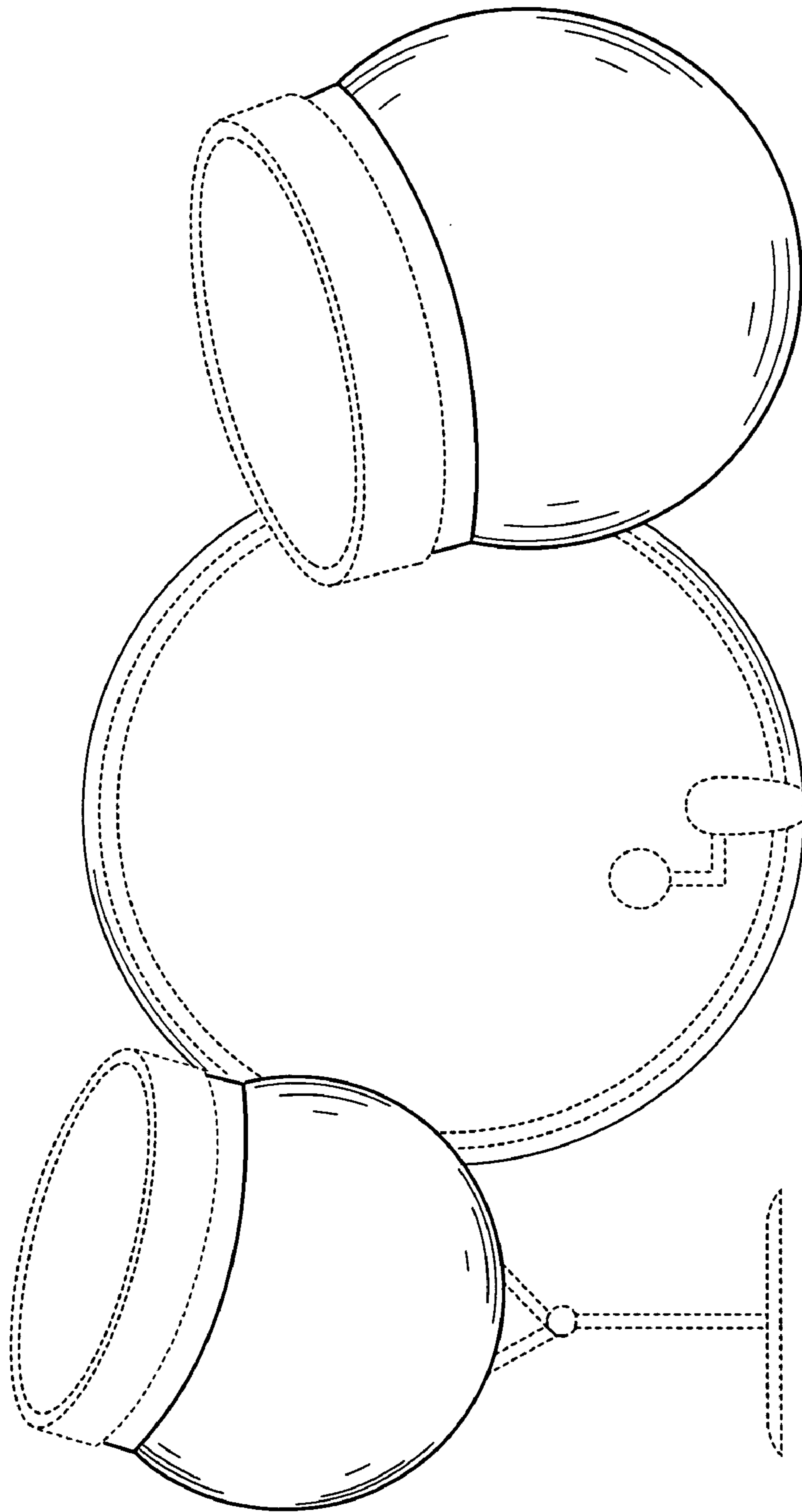


FIG. 5

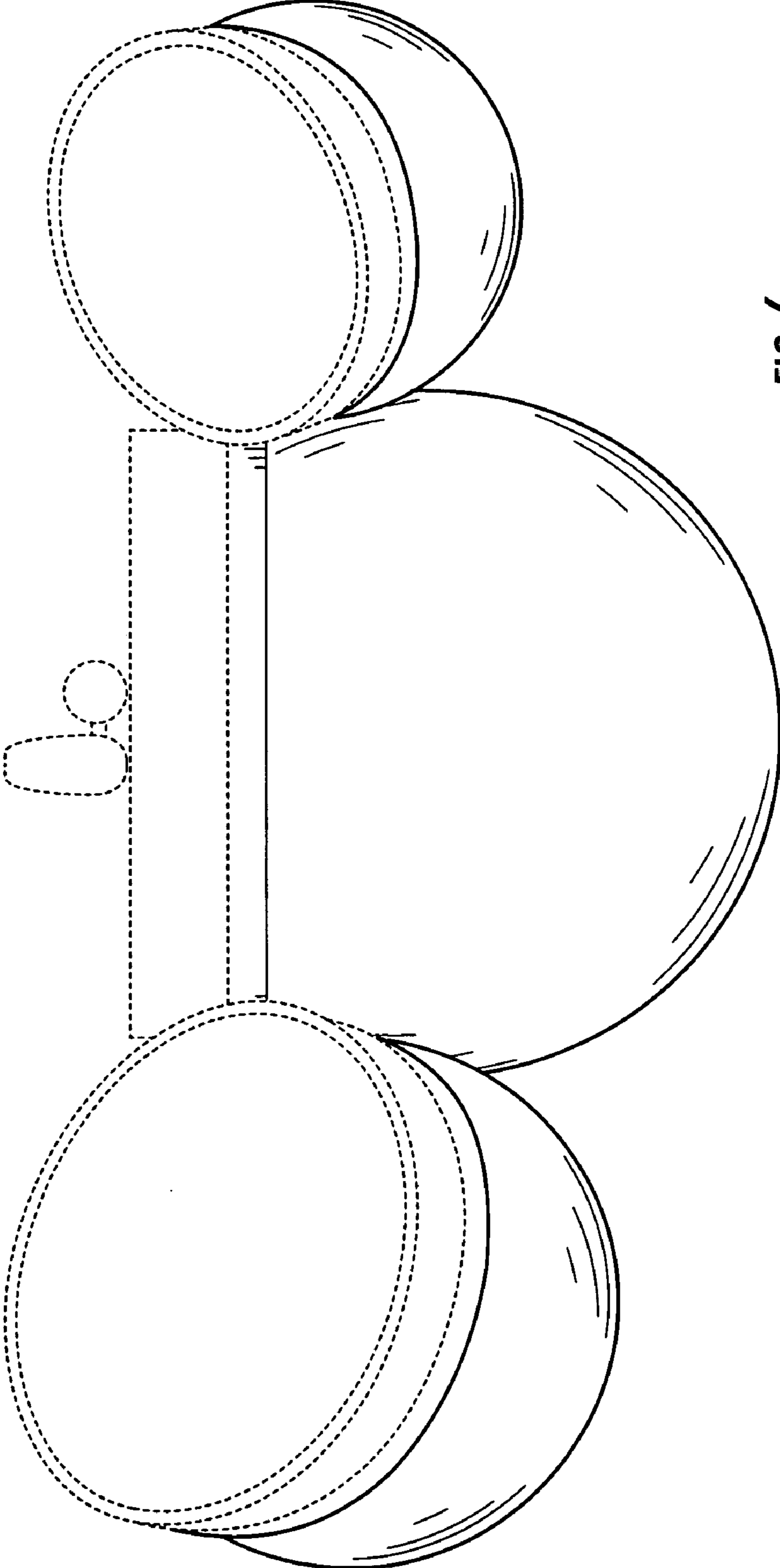


FIG. 6

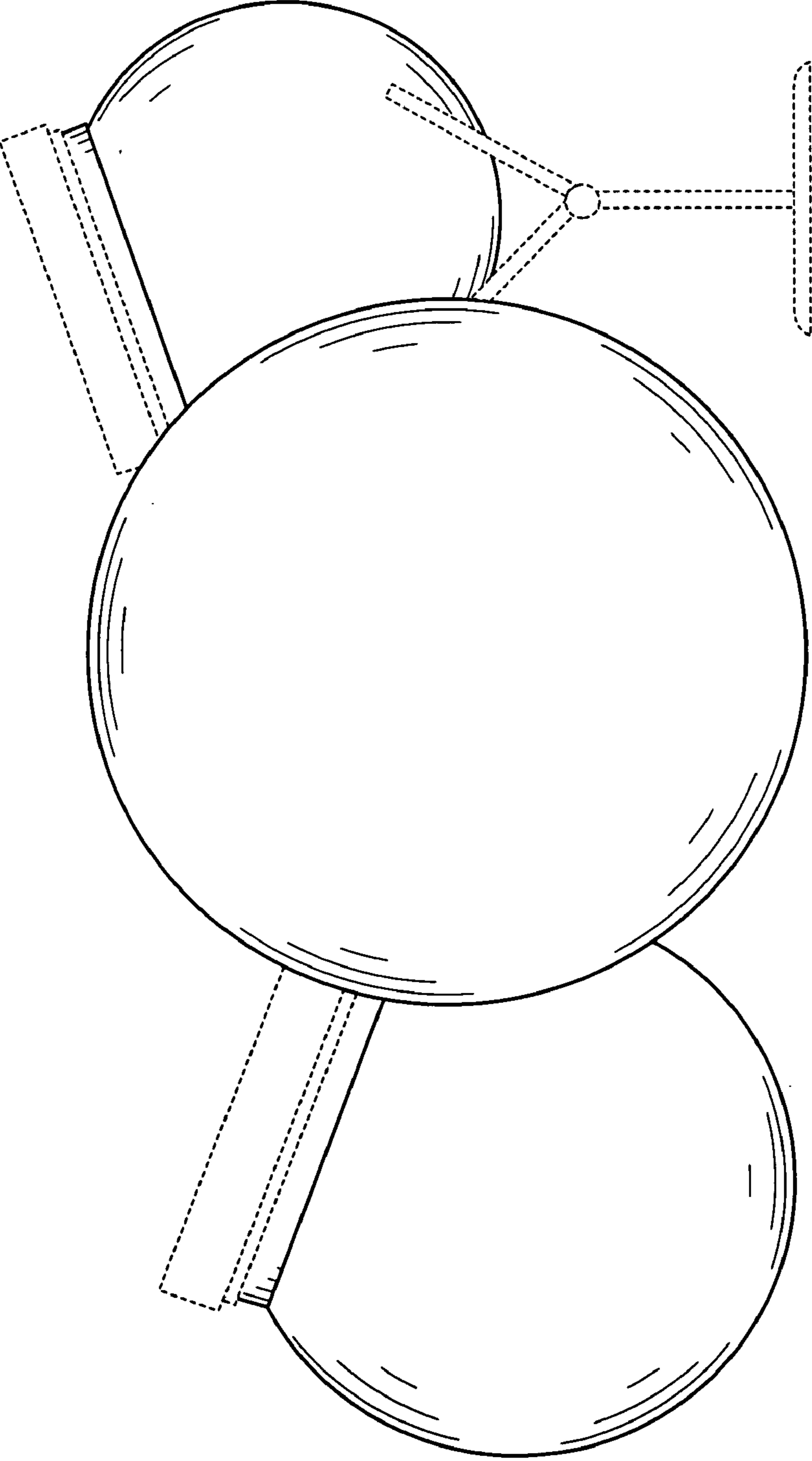


FIG. 7

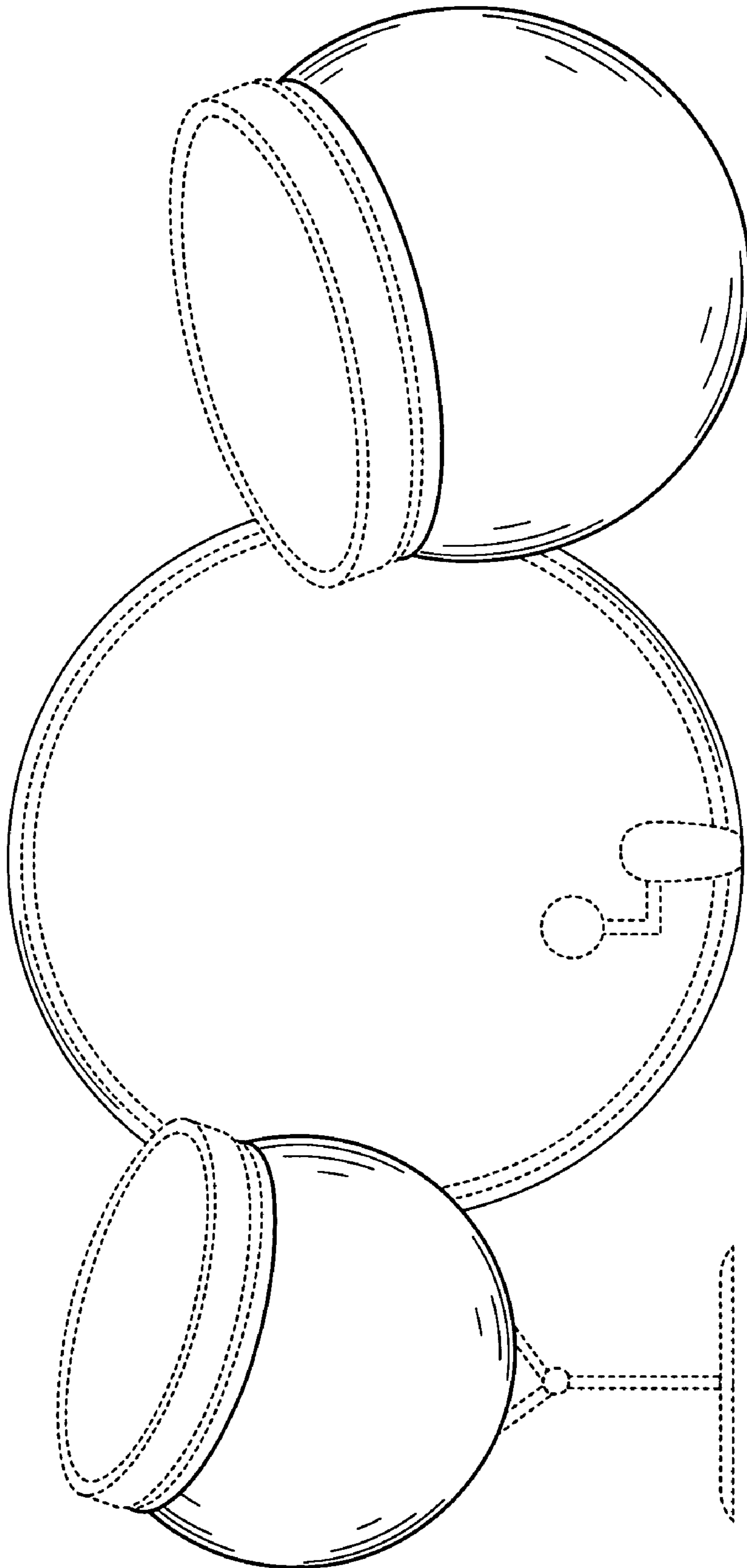


FIG. 8

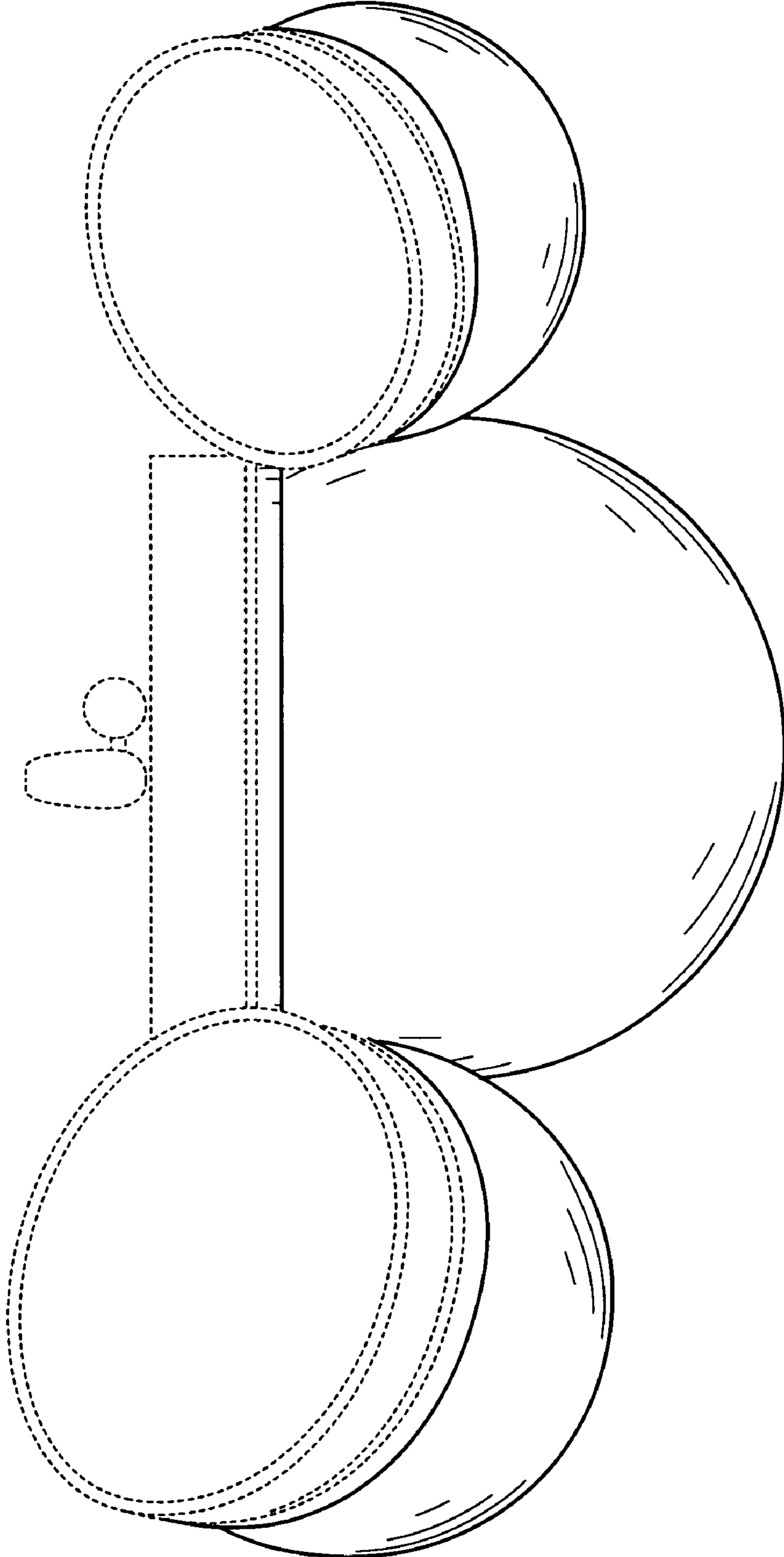


FIG. 9