



US00D562877S

(12) **United States Design Patent**
Ikegawa

(10) **Patent No.:** **US D562,877 S**
(45) **Date of Patent:** **** Feb. 26, 2008**

(54) **ELECTRONIC PIANO**

(75) Inventor: **Tomoyasu Ikegawa**, Hamamatsu (JP)

(73) Assignee: **Kawai Musical Inst. Mfg. Co., Ltd.**,
Hamamatsu-Shi, Shizuoka (JP)

(**) Term: **14 Years**

(21) Appl. No.: **29/273,004**

(22) Filed: **Feb. 26, 2007**

(30) **Foreign Application Priority Data**

Aug. 31, 2006 (JP) 2006-023146

(51) **LOC (8) Cl.** **17-01**

(52) **U.S. Cl.** **D17/7**

(58) **Field of Classification Search** D17/1,
D17/2, 7, 8, 9; 84/13, 15, 17, 26, 72, 172,
84/174, 178, 184, 192, 225, 239, 240, 243,
84/423 R, 426, 429, 743-746; D21/409

See application file for complete search history.

(56) **References Cited**

U.S. PATENT DOCUMENTS

D184,139 S *	12/1958	Millington et al.	D17/7
D222,395 S *	10/1971	White	D17/7
D229,778 S *	1/1974	Kimble	D17/7
D308,215 S *	5/1990	Katsuhara	D17/7
D324,531 S *	3/1992	Lee	D17/7
D372,728 S *	8/1996	Mizushima	D17/7
D386,514 S *	11/1997	Nakada et al.	D17/7
5,763,806 A *	6/1998	Willis	84/645
6,548,748 B2 *	4/2003	Ishida et al.	84/615
D481,066 S *	10/2003	Sato	D17/7
7,164,071 B2 *	1/2007	Pu	84/225

FOREIGN PATENT DOCUMENTS

JP 11109948 A * 4/1999

OTHER PUBLICATIONS

Cooper Music Superstore. http://www.cooperpiano.com/piano_rental.htm. Aug. 2006. Performer Digital Piano: left center of page.*

Roland. http://www.roland.co.uk/digp_room_catdet.asp?id=HP201. Jun. 2007. HP-201 Digital Piano: center of page.*

UK Pianos.co.uk. <http://www.ukpianos.co.uk/roland-hp103.html>. Nov. 2005. Roland HP103: left center of page.*

* cited by examiner

Primary Examiner—Ian Simmons

Assistant Examiner—R. Johnson

(74) *Attorney, Agent, or Firm*—Manabu Kanesaka

(57) **CLAIM**

The ornamental design for an electronic piano, as shown and described.

DESCRIPTION

FIG. 1 is a front elevational view of an electronic piano showing my new design;

FIG. 2 is a rear elevational view thereof;

FIG. 3 is a left side elevational view thereof;

FIG. 4 is a right side elevational view thereof;

FIG. 5 is a top plan view thereof;

FIG. 6 is a bottom plan view thereof;

FIG. 7 is a front perspective view thereof;

FIG. 8 is a front perspective view thereof, showing the piano lid closed; and,

FIG. 9 is a rear perspective view thereof.

1 Claim, 9 Drawing Sheets

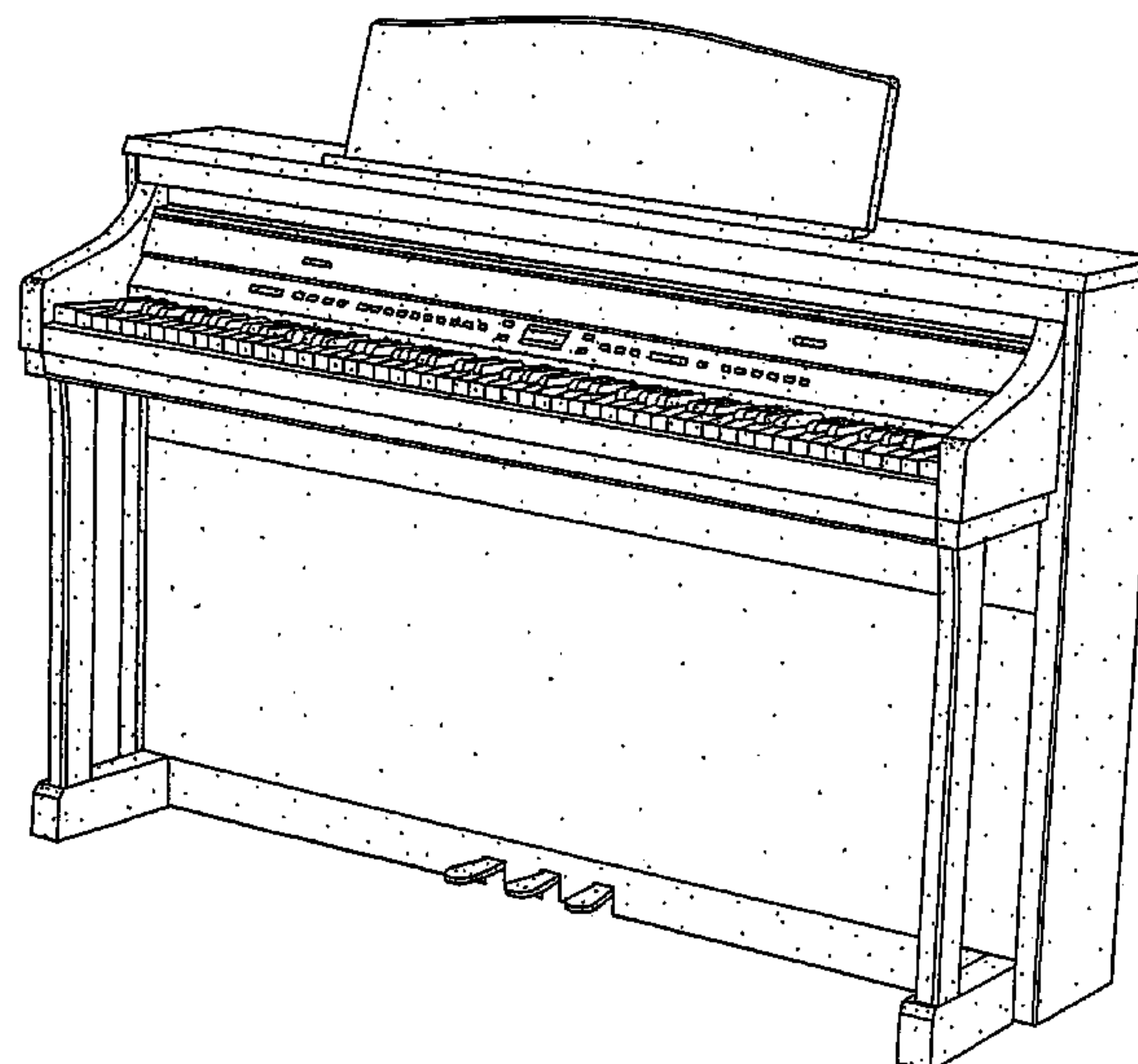
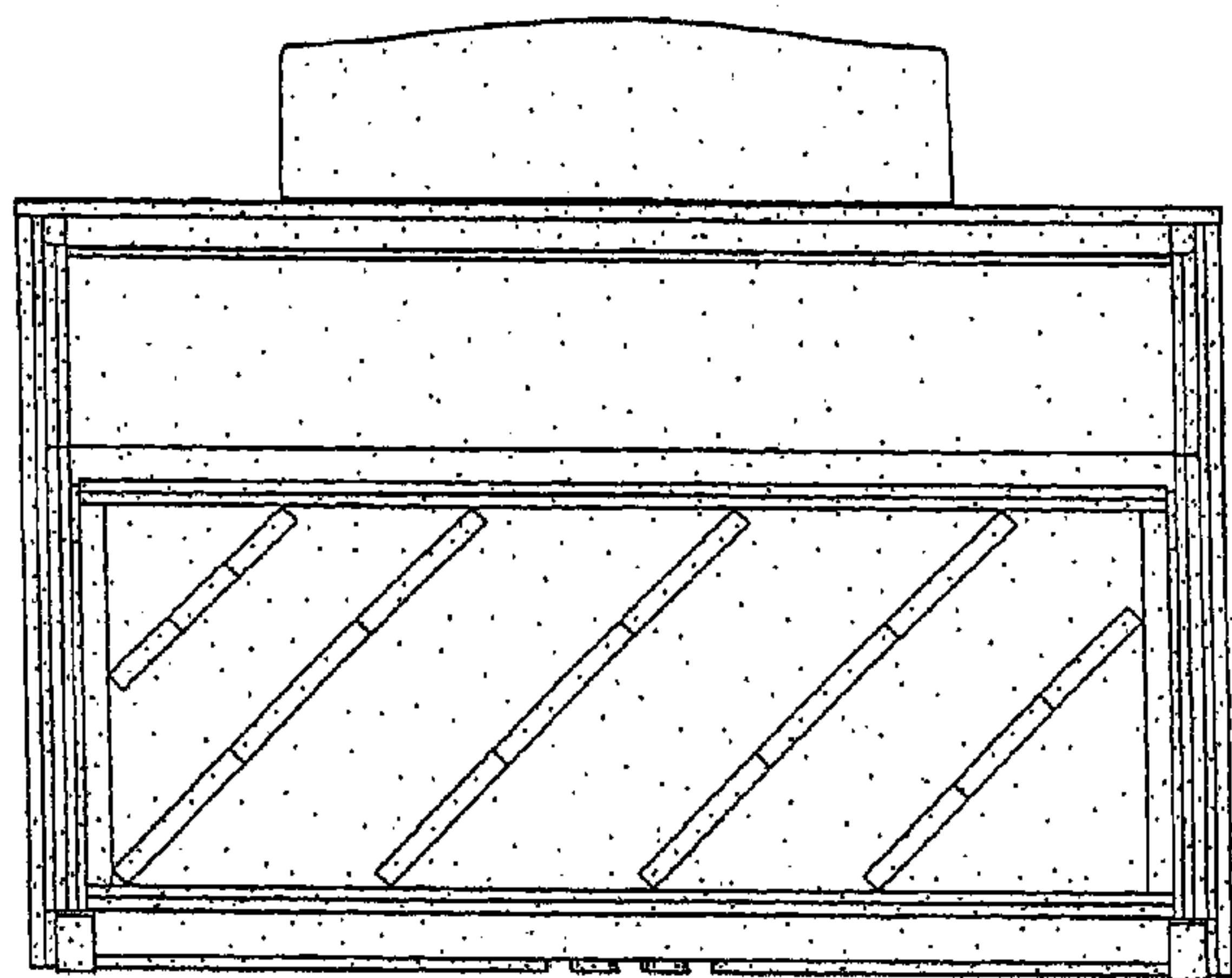
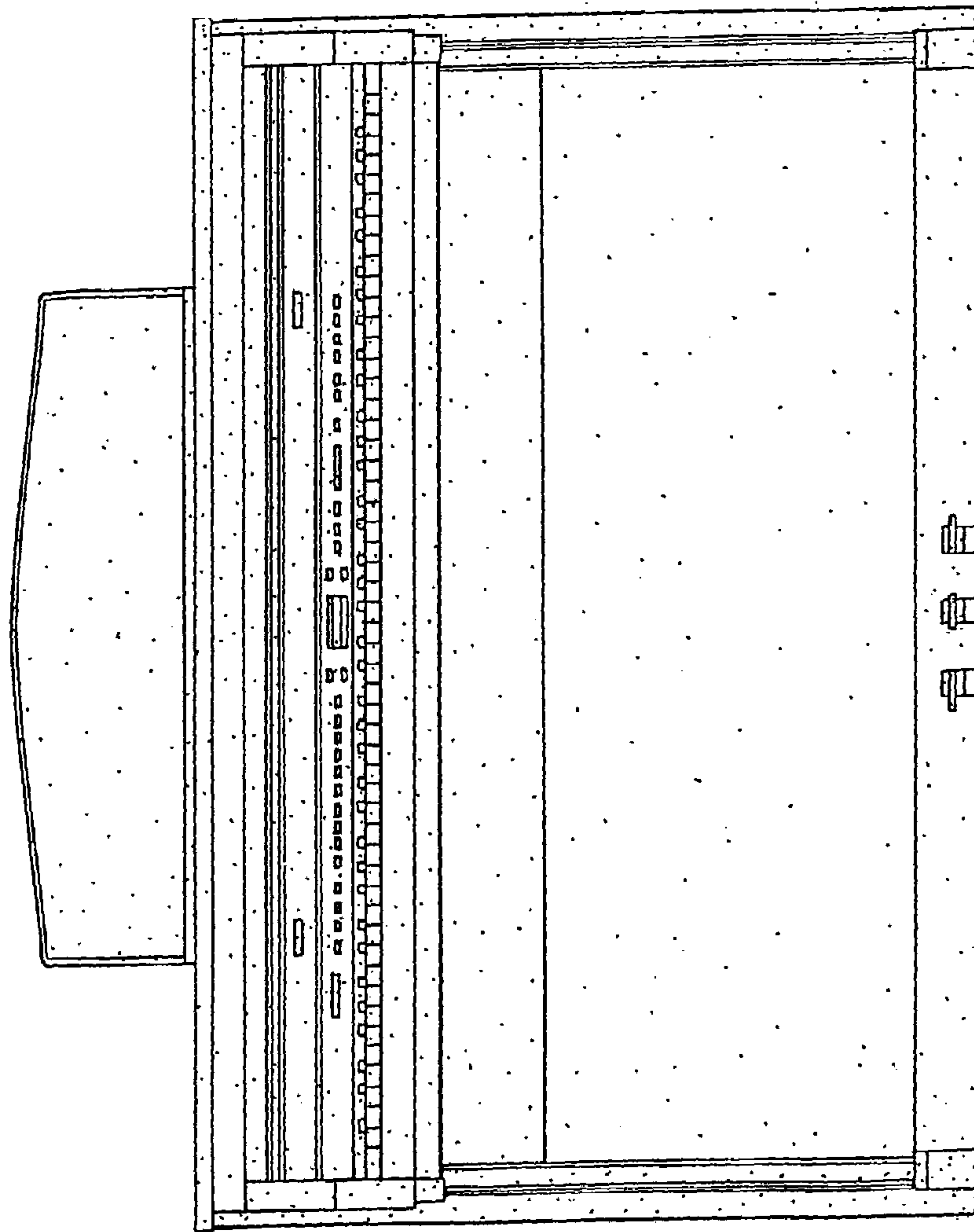


Fig. 1



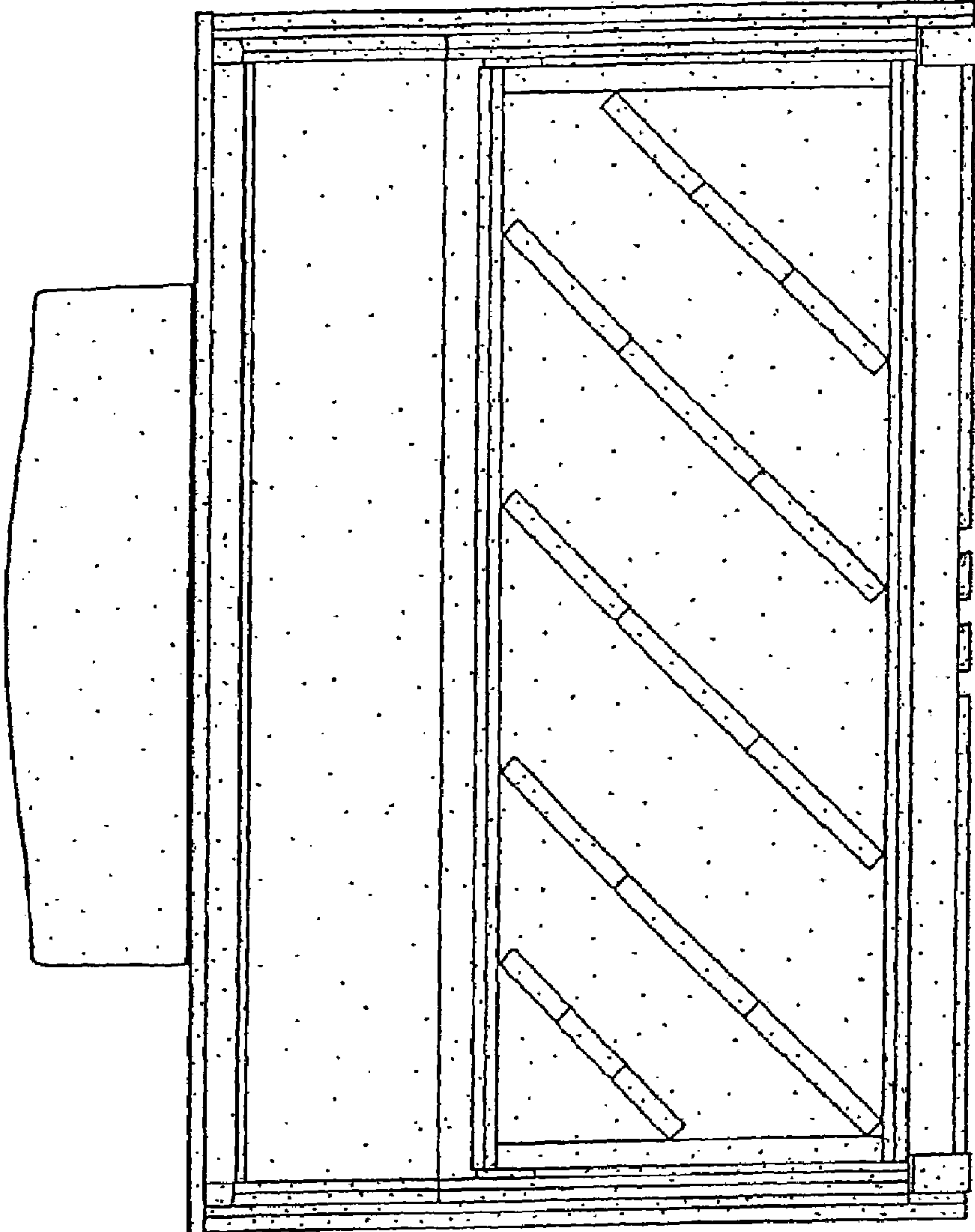


Fig. 2

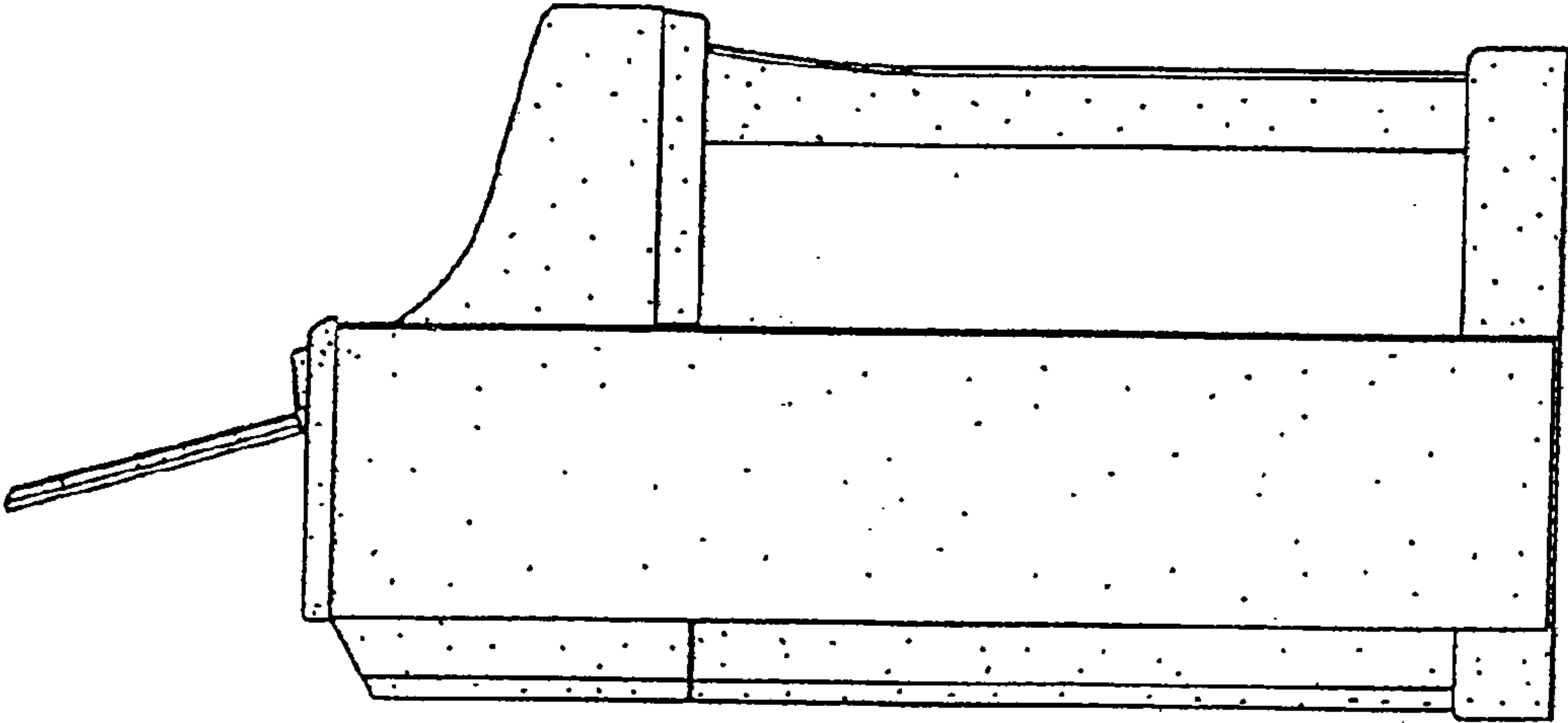


Fig. 3

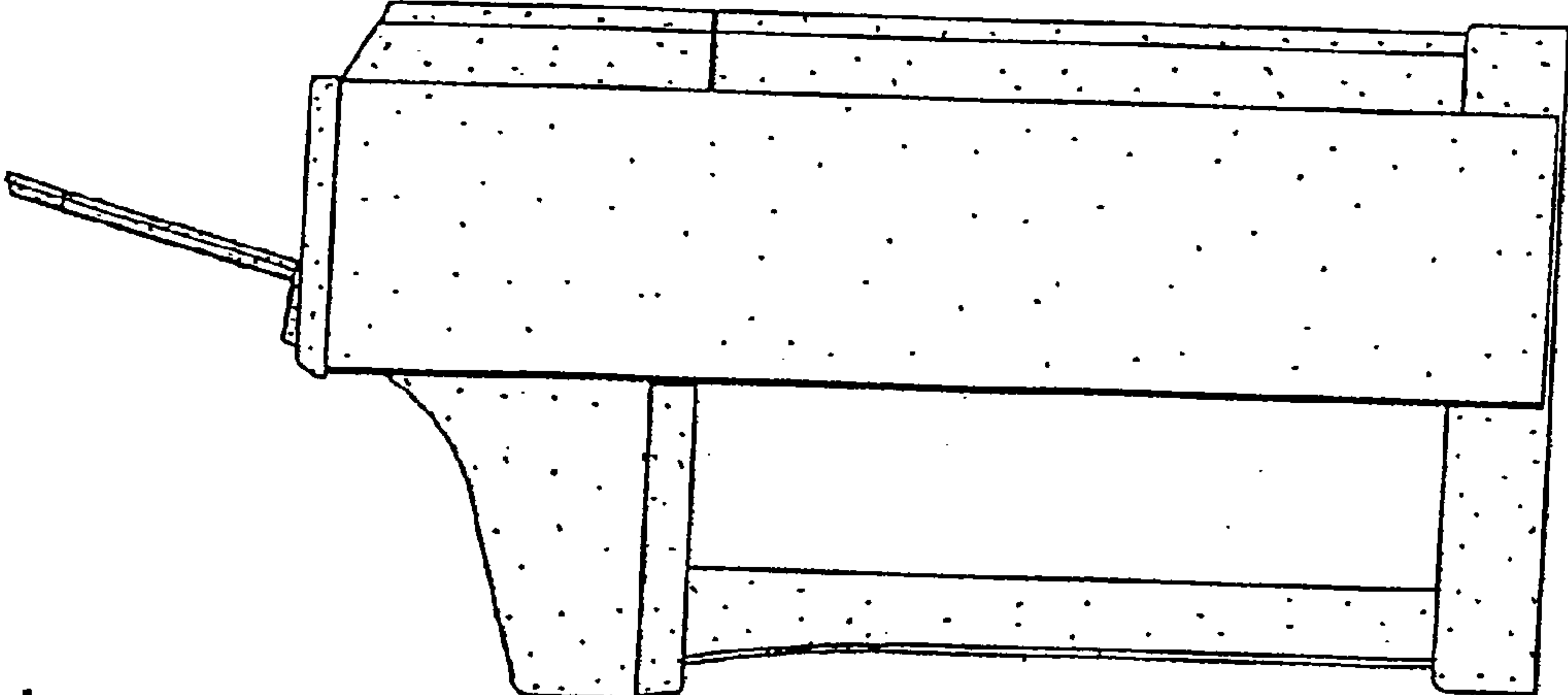


Fig. 4

Fig. 5

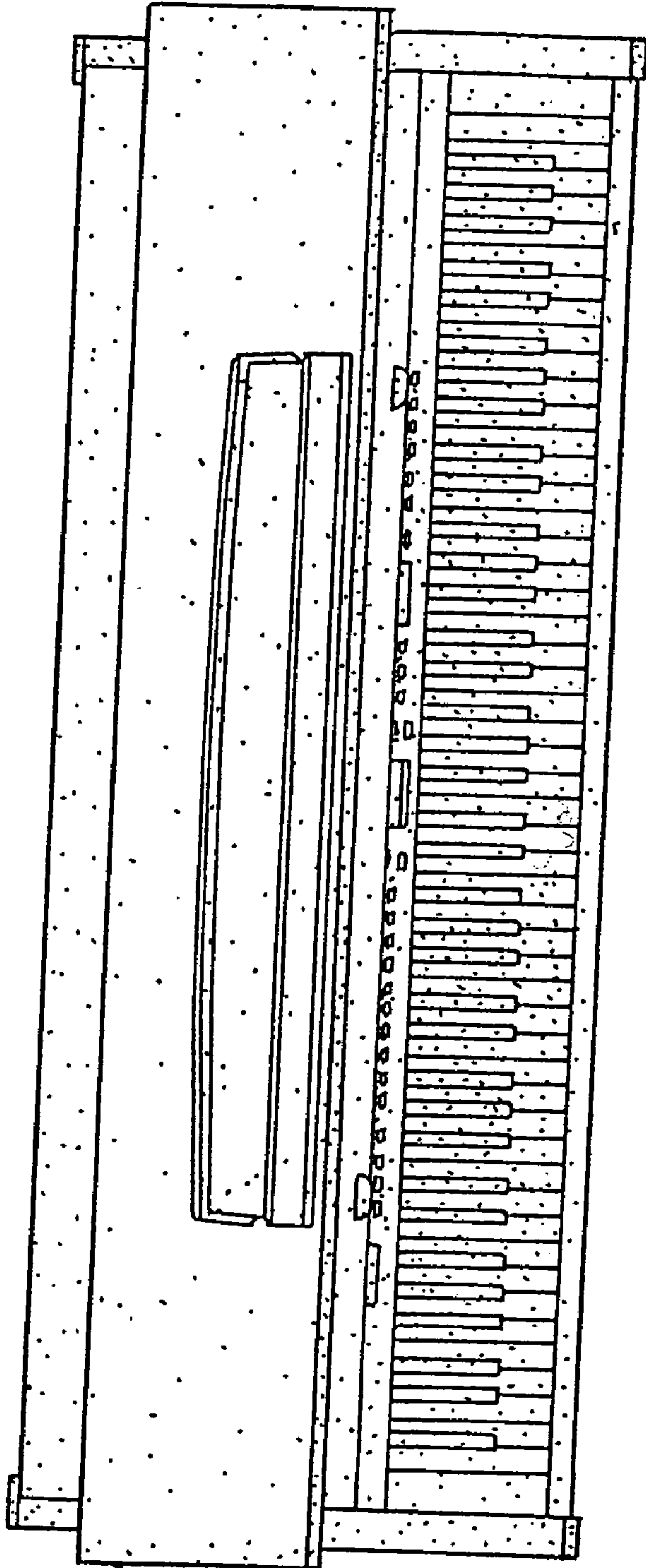


Fig. 6

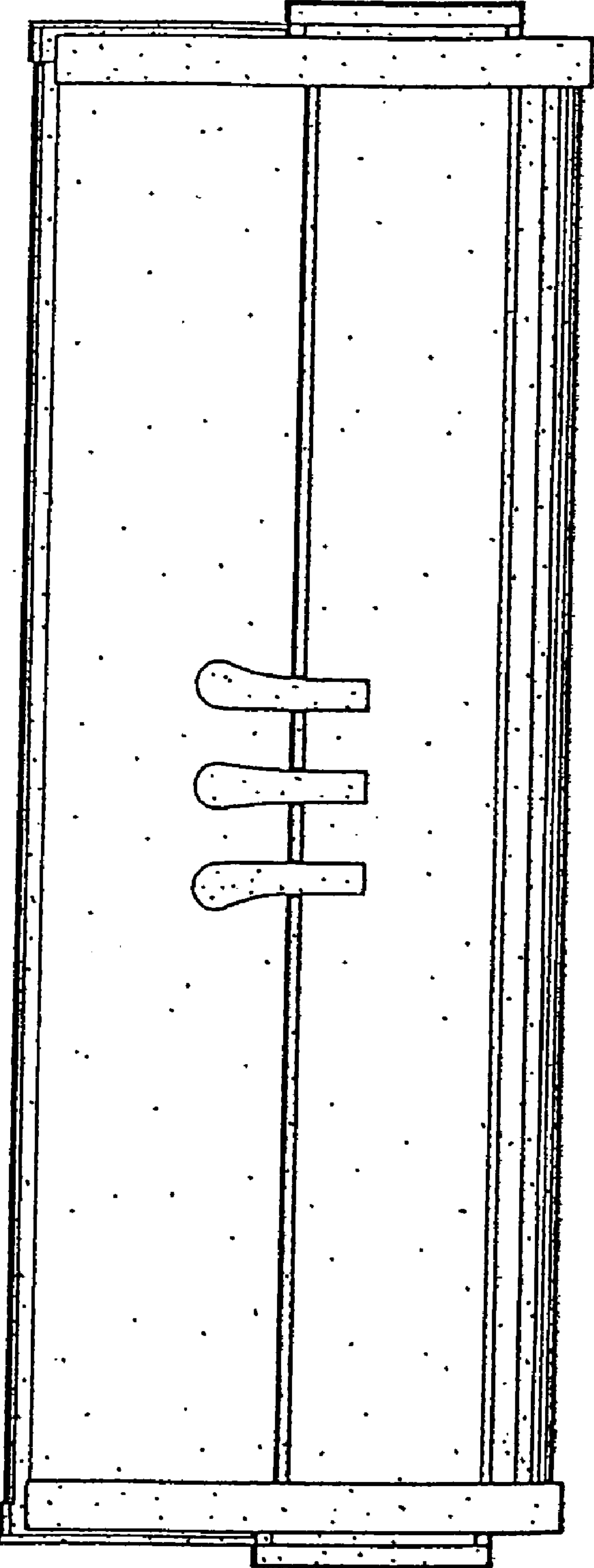
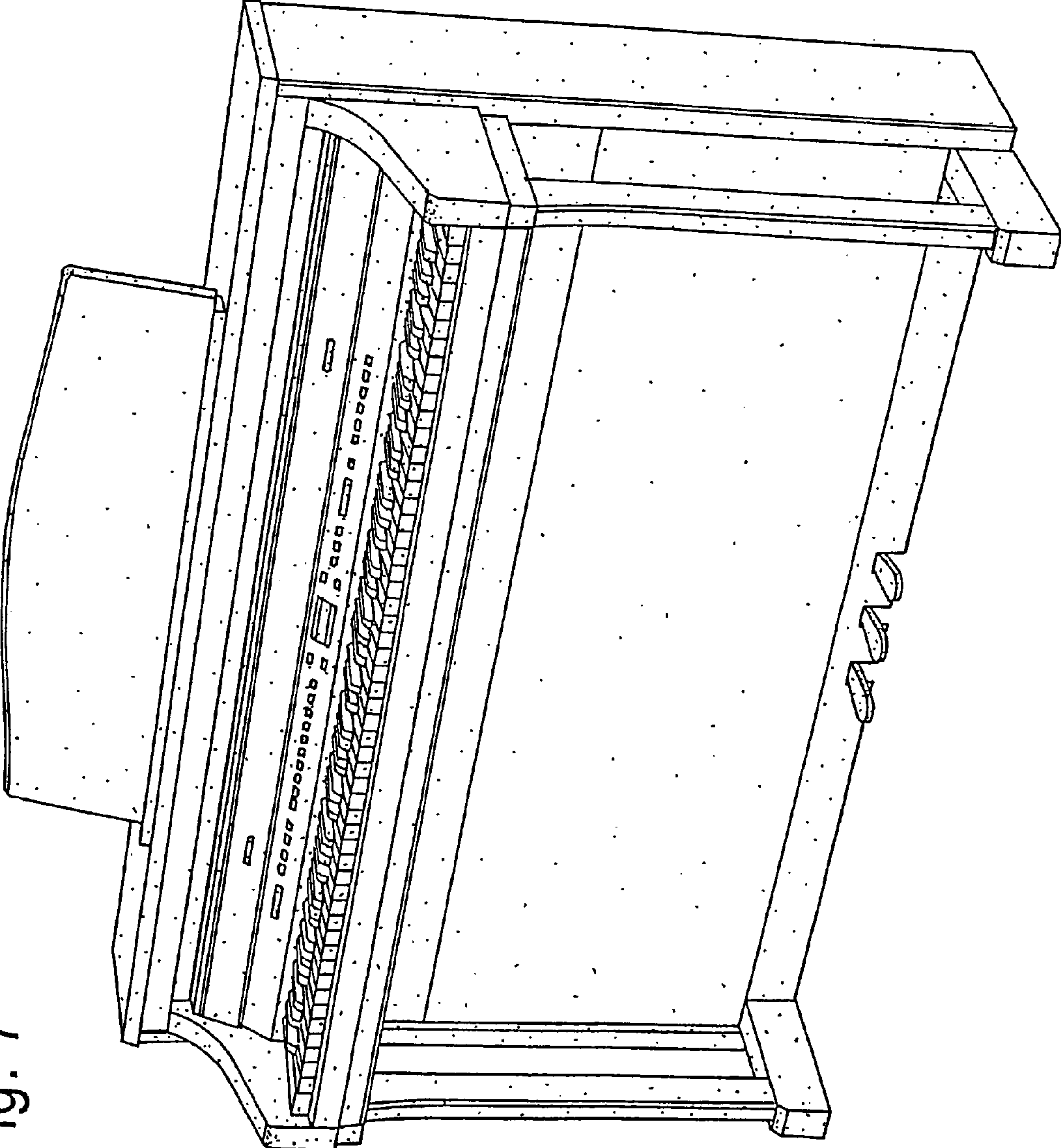


Fig. 7



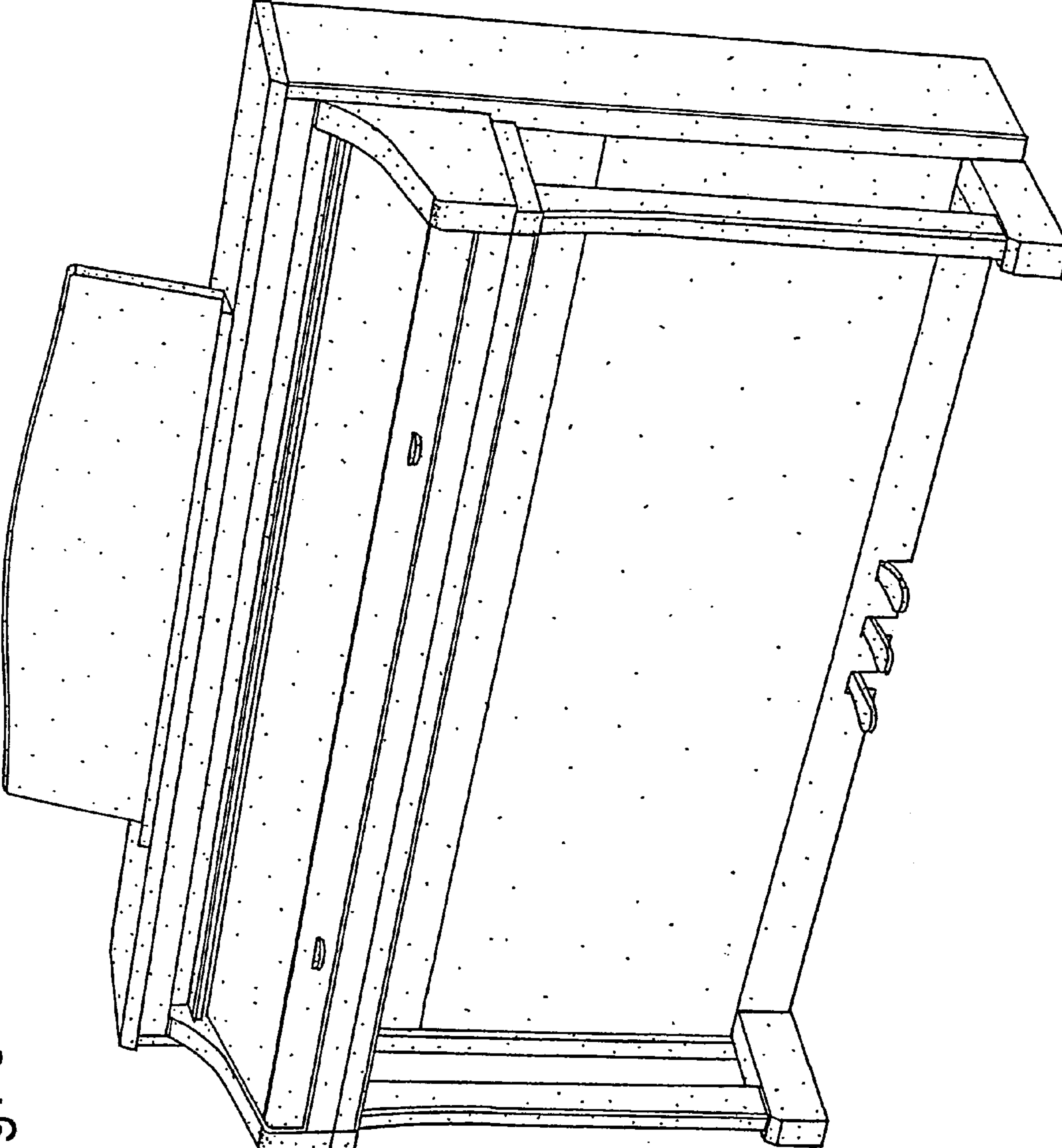


Fig. 8

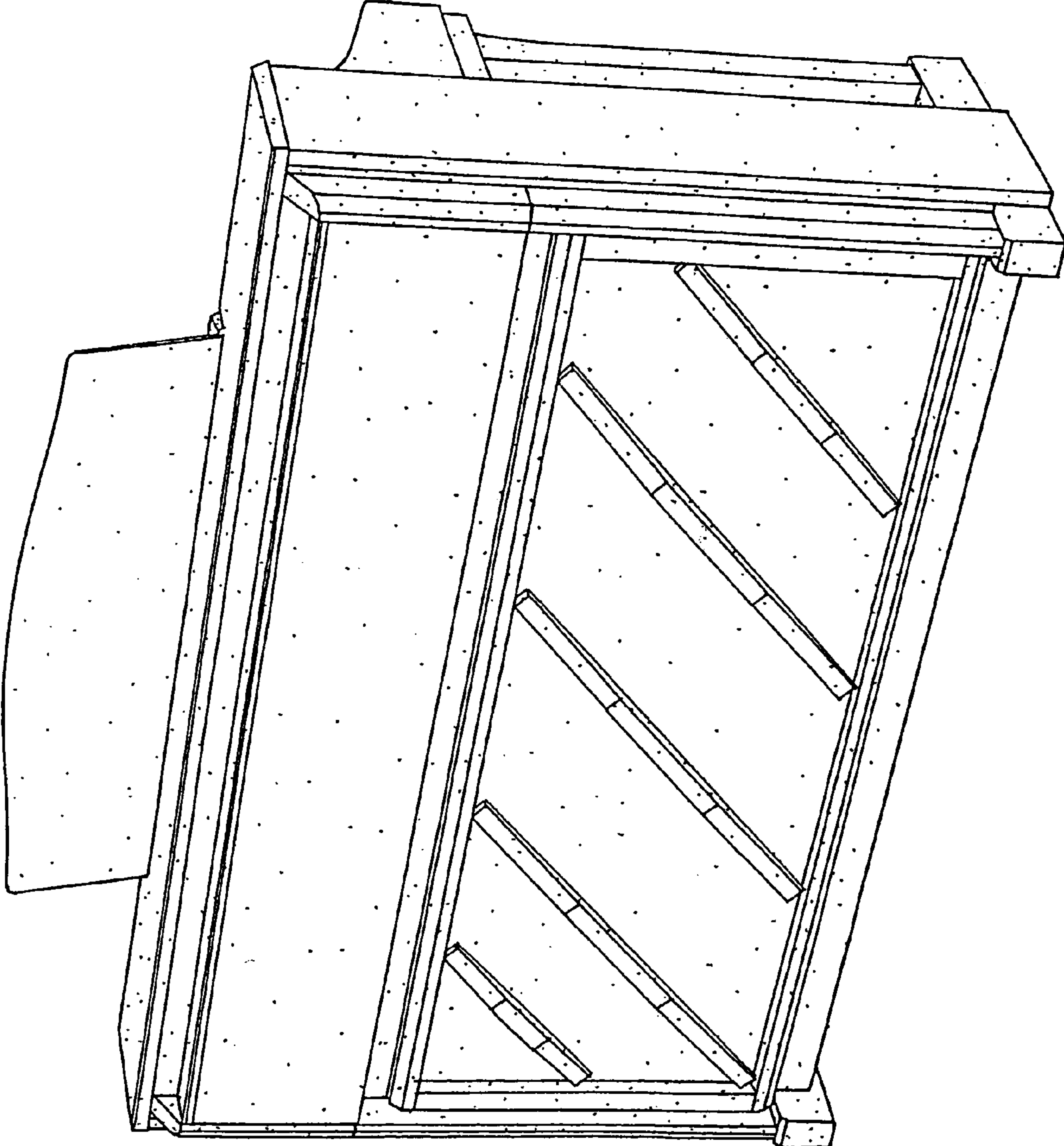


Fig. 9