



US00D562876S

(12) **United States Design Patent**  
**Beate et al.**

(10) **Patent No.:** **US D562,876 S**

(45) **Date of Patent:** **\*\* Feb. 26, 2008**

(54) **BINOCULAR MAGNIFIER**

(75) Inventors: **Bastian Beate**, München (DE); **Guido Hattendorf**, Aalen (DE); **Katrin Peters**, Vienna (AT)

(73) Assignee: **Carl Zeiss Surgical GmbH**, Oberkochen (DE)

(\*\*) Term: **14 Years**

(21) Appl. No.: **29/274,179**

(22) Filed: **Apr. 3, 2007**

(30) **Foreign Application Priority Data**

Oct. 10, 2006 (EM) ..... 000603279

(51) **LOC (8) Cl.** ..... **16-06**

(52) **U.S. Cl.** ..... **D16/330; D16/309**

(58) **Field of Classification Search** ..... D16/107,  
D16/130, 132, 133, 309; 2/10, 15; 350/145,  
350/146; 351/155; 356/46; 359/407, 408,  
359/410, 411, 413, 414, 417, 418, 421, 422,  
359/480

See application file for complete search history.

(56) **References Cited**

**U.S. PATENT DOCUMENTS**

2,280,354	A *	4/1942	Rezos	.....	359/408
2,598,145	A *	5/1952	Steadman, Jr.	.....	359/410
3,572,931	A *	3/1971	Adler	.....	356/46
D296,337	S *	6/1988	Caplan	.....	D16/133
D333,828	S *	3/1993	Baldassarre	.....	D16/133
5,412,812	A *	5/1995	Gatchalian	.....	2/10
5,727,251	A *	3/1998	Sherlock et al.	.....	2/15
5,987,640	A *	11/1999	Ryder	.....	2/10
6,817,711	B2 *	11/2004	Schubert	.....	351/155

\* cited by examiner

*Primary Examiner*—T. Chase Nelson

*Assistant Examiner*—Barbara B Lohr

(74) *Attorney, Agent, or Firm*—Walter Ottesen

(57) **CLAIM**

The ornamental design for a binocular magnifier, as shown and described.

**DESCRIPTION**

FIG. 1 is a perspective front view of a binocular magnifier of our new design;

FIG. 2 is a top plan view of said binocular magnifier of FIG. 1;

FIG. 3 is a bottom plan view of said binocular magnifier of FIG. 1;

FIG. 4 is a right side elevational view of said binocular magnifier of FIG. 1;

FIG. 5 is a left side elevational view of said binocular magnifier of FIG. 1;

FIG. 6 is a front elevational view of said binocular magnifier of FIG. 1;

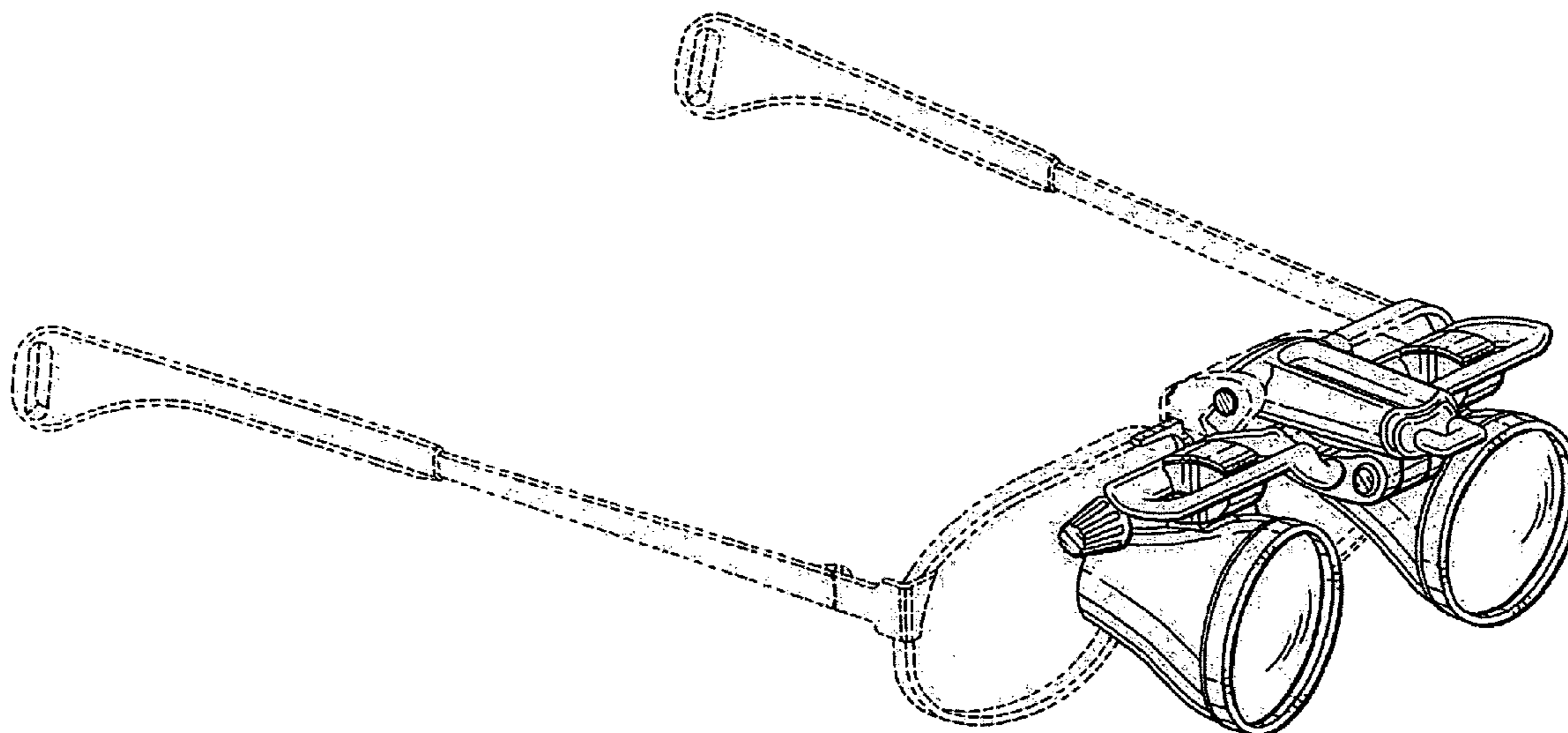
FIG. 7 is a rear elevational view of said binocular magnifier of FIG. 1;

FIG. 8 is a right side elevational view of said binocular magnifier of FIG. 1 showing the binocular magnifier displaced to a first position; and,

FIG. 9 is a right side elevational view of said binocular magnifier of FIG. 1 showing said binocular magnifier displaced to a second position.

The spectacles are shown in broken line for illustrative purposes only and form no part of the claimed design.

**1 Claim, 8 Drawing Sheets**



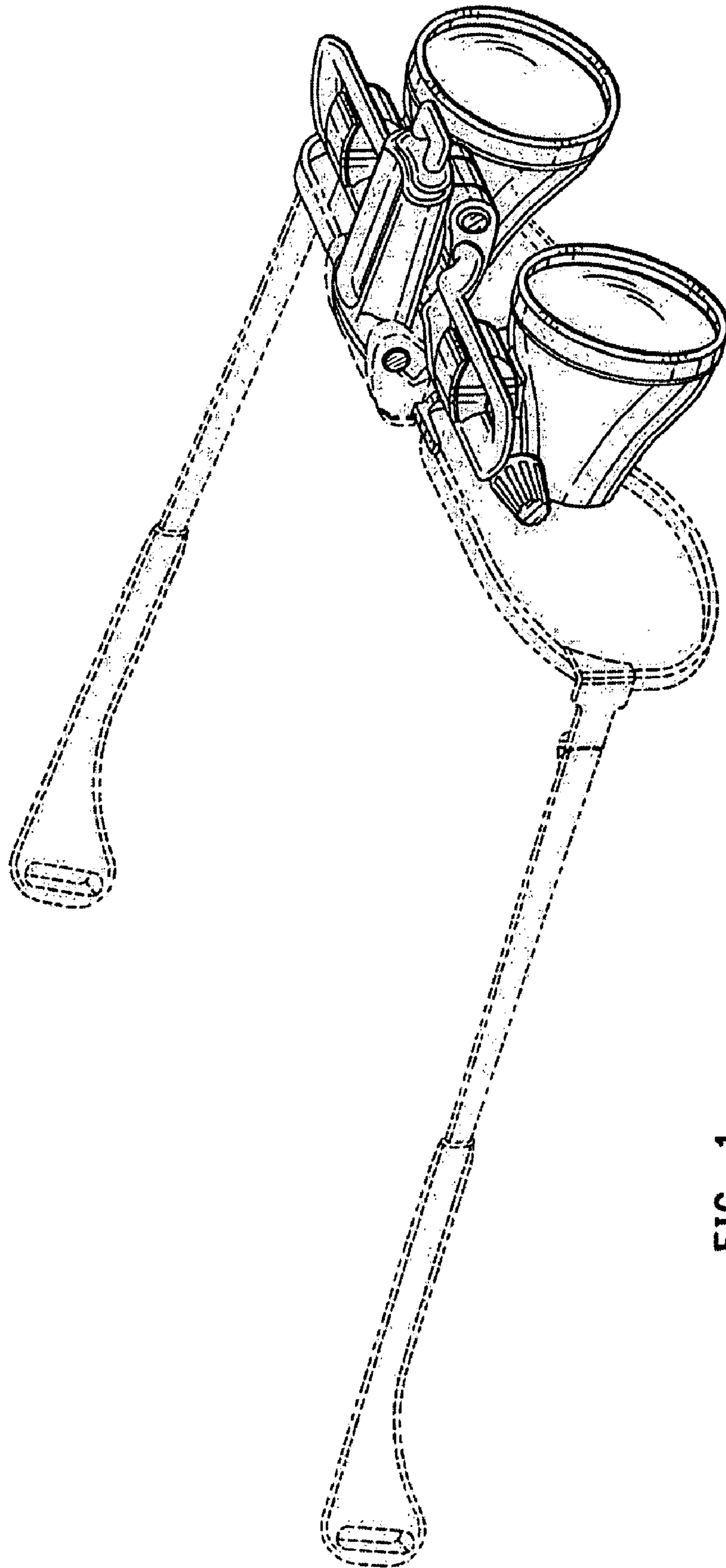


FIG. 1

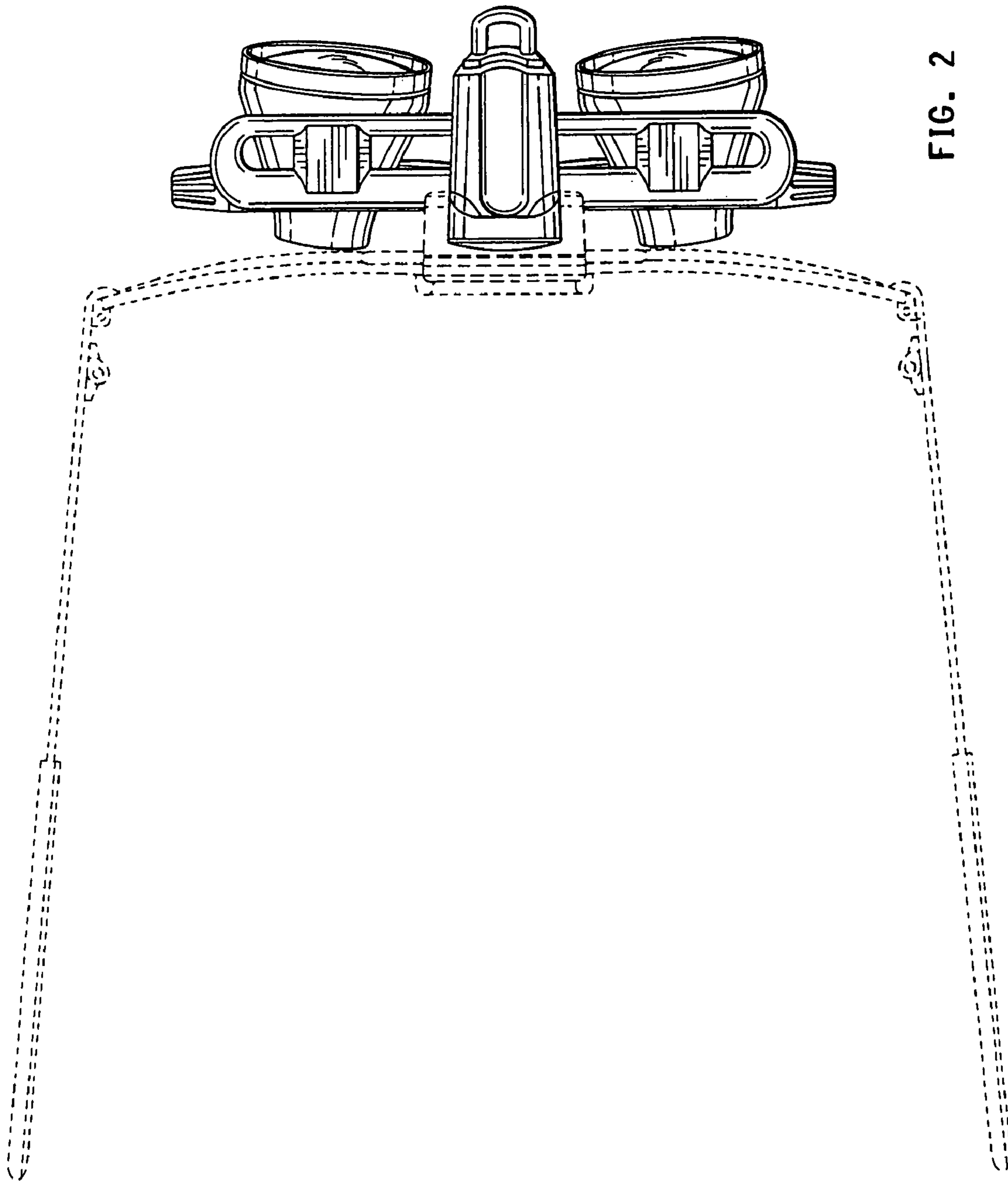


FIG. 2

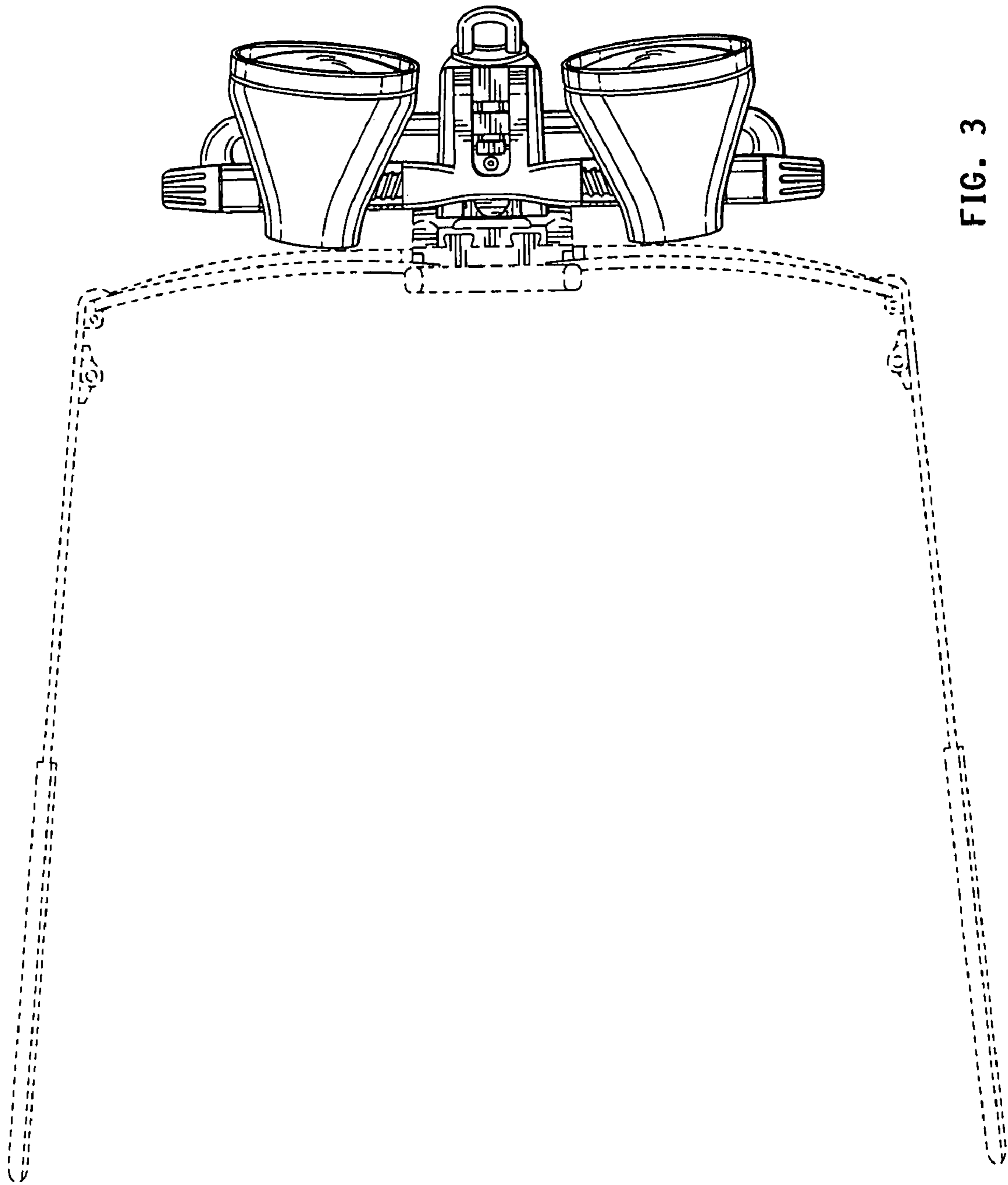


FIG. 3

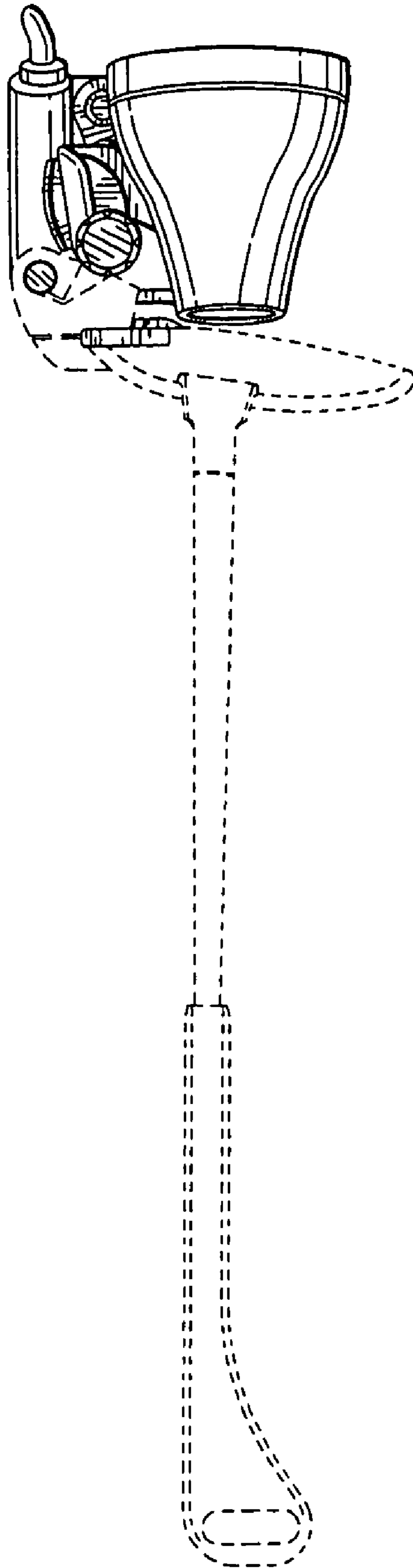


FIG. 4

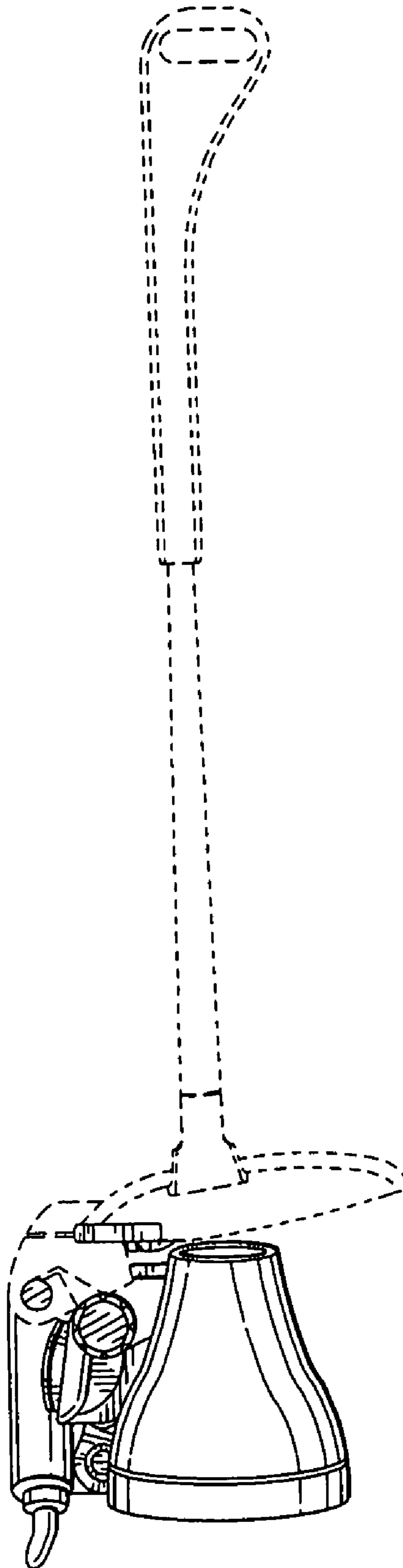


FIG. 5



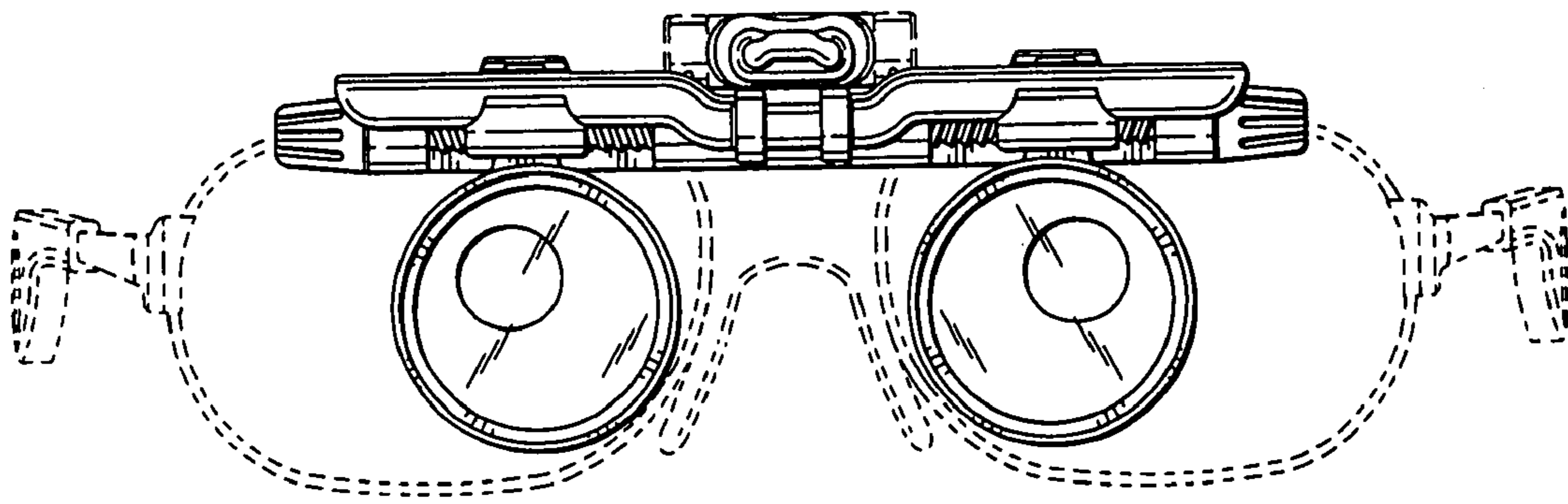


FIG. 6

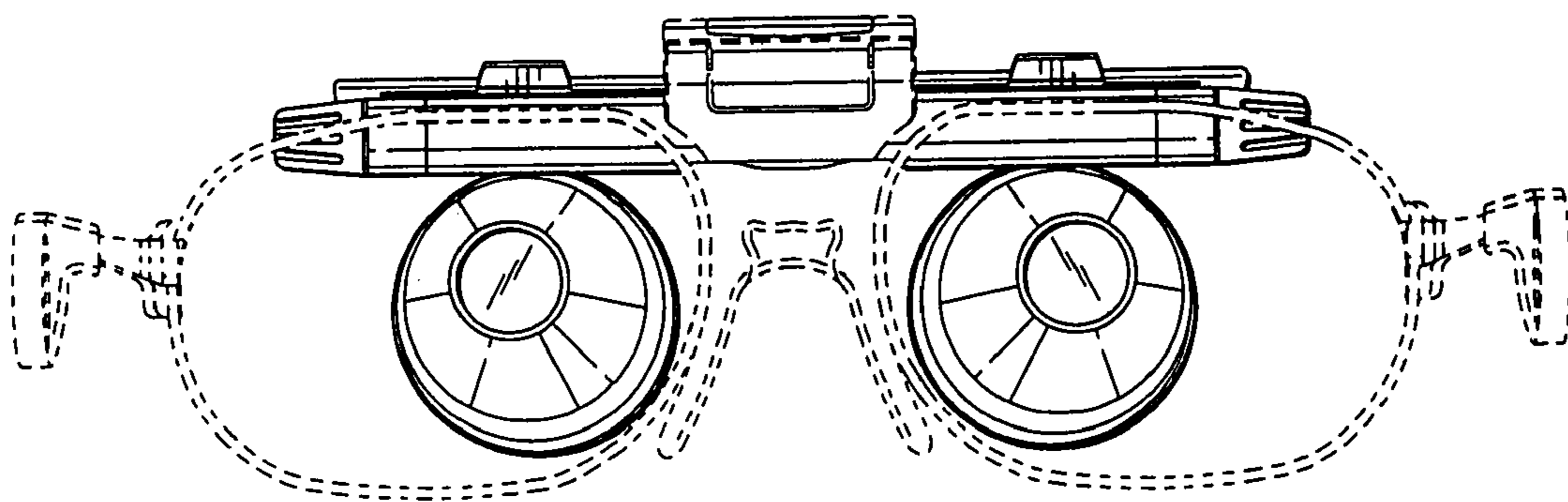


FIG. 7

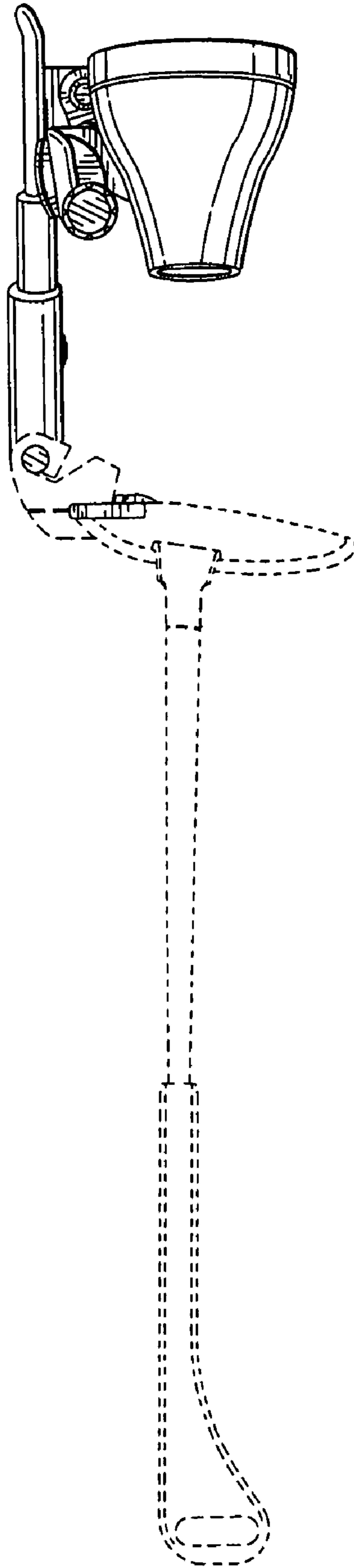


FIG. 8



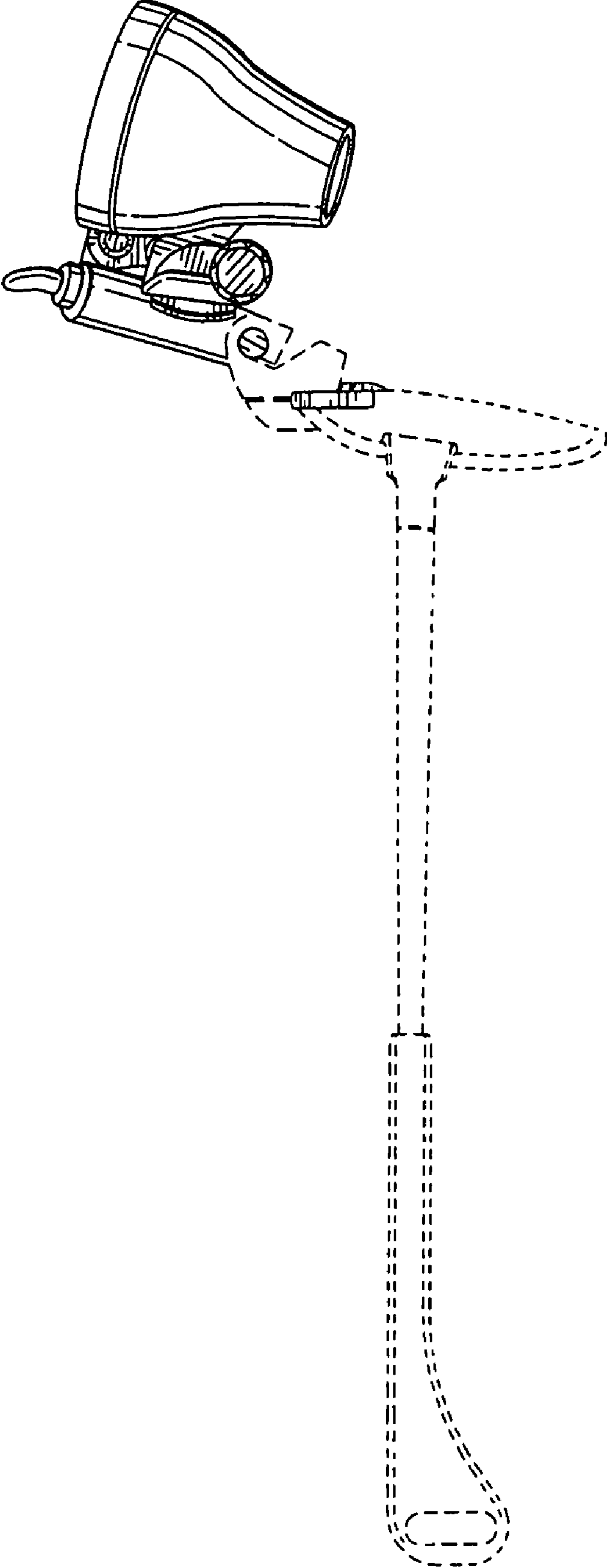


FIG. 9

UNITED STATES PATENT AND TRADEMARK OFFICE  
**CERTIFICATE OF CORRECTION**

PATENT NO. : Des. 562,876 S  
APPLICATION NO. : 29/274179  
DATED : February 26, 2008  
INVENTOR(S) : Bastian Beate, Guido Hattendorf and Karin Peters

Page 1 of 1

It is certified that error appears in the above-identified patent and that said Letters Patent is hereby corrected as shown below:

Title Page:  
Under (75) Inventors: delete "Katrin Peters" and substitute -- Karin Peters --  
therefor.

Signed and Sealed this

Twenty-seventh Day of May, 2008

A handwritten signature in black ink that reads "Jon W. Dudas". The signature is written in a cursive style with a large, looped initial "J".

JON W. DUDAS  
*Director of the United States Patent and Trademark Office*