

US00D562875S

(12) **United States Design Patent**
Kitera

(10) **Patent No.:** **US D562,875 S**

(45) **Date of Patent:** **** Feb. 26, 2008**

(54) **STROBE**

D342,753 S * 12/1993 Haga D16/239
5,794,082 A * 8/1998 Matsui et al. 396/171
D453,351 S 2/2002 Kitera

(75) Inventor: **Jun Kitera**, Tokyo (JP)

(73) Assignee: **PENTAX Corporation**, Tokyo (JP)

* cited by examiner

(**) Term: **14 Years**

Primary Examiner—Adir Aronovich

(21) Appl. No.: **29/253,894**

(74) *Attorney, Agent, or Firm*—Sughrue Mion PLLC

(22) Filed: **Feb. 15, 2006**

(57) **CLAIM**

(30) **Foreign Application Priority Data**

The ornamental design for a strobe, as shown.

Aug. 19, 2005 (JP) 2005-023999

DESCRIPTION

(51) **LOC (8) Cl.** **16-05**

FIG. 1 is a perspective view of the top, front and left side of a strobe showing my new design;

(52) **U.S. Cl.** **D16/240; D16/239**

FIG. 2 is a perspective view of the bottom, rear and right side thereof;

(58) **Field of Classification Search** D16/237,
D16/239, 240; 362/3, 16-18; 396/155,
396/171, 180, 182

FIG. 3 is a front elevational view thereof;

See application file for complete search history.

FIG. 4 is a rear elevational view thereof;

(56) **References Cited**

FIG. 5 is a left side elevational view thereof;

U.S. PATENT DOCUMENTS

FIG. 6 is a right side elevational view thereof;

D241,273 S * 8/1976 Okuno et al. D16/240

FIG. 7 is a top plan view thereof; and,

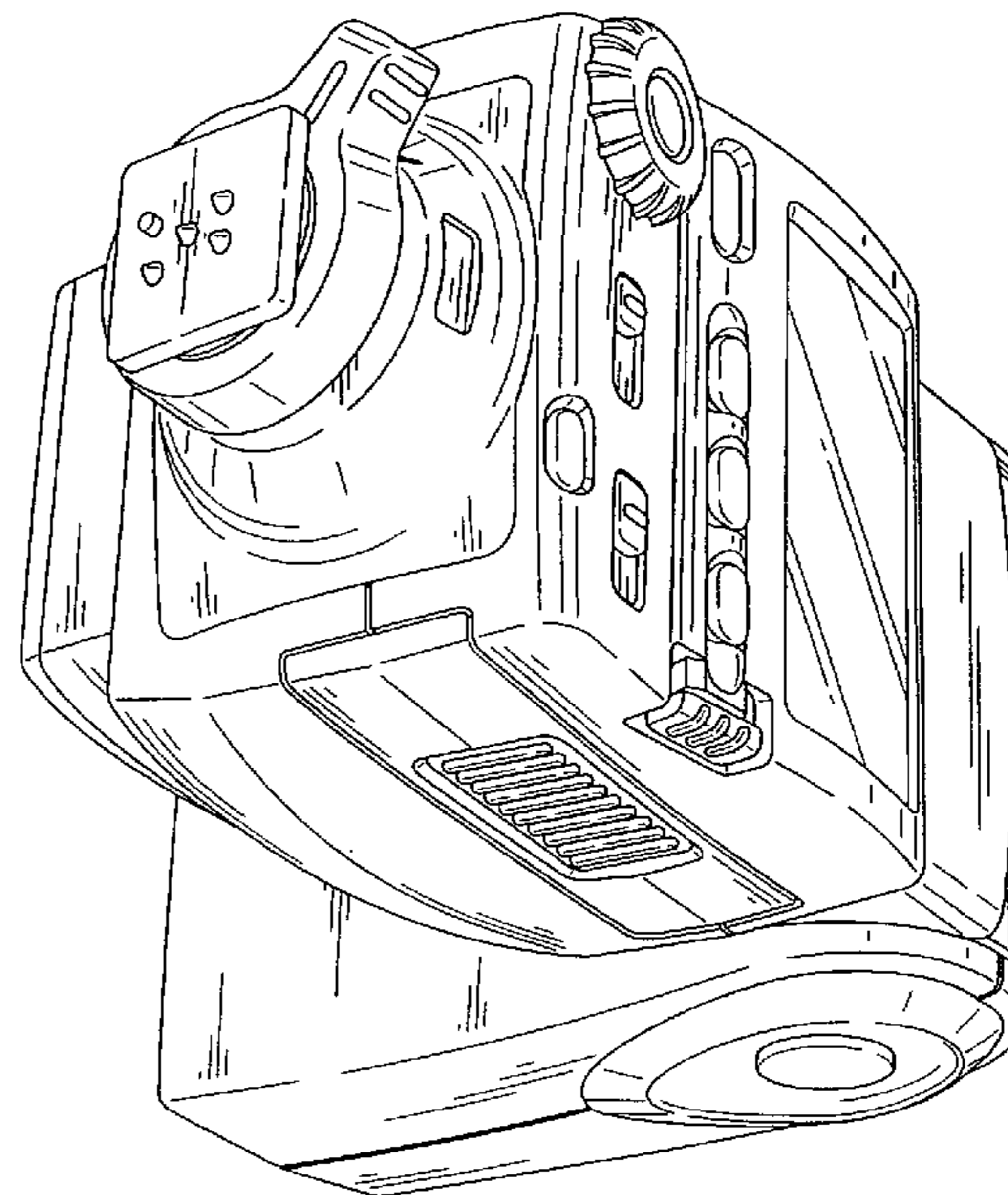
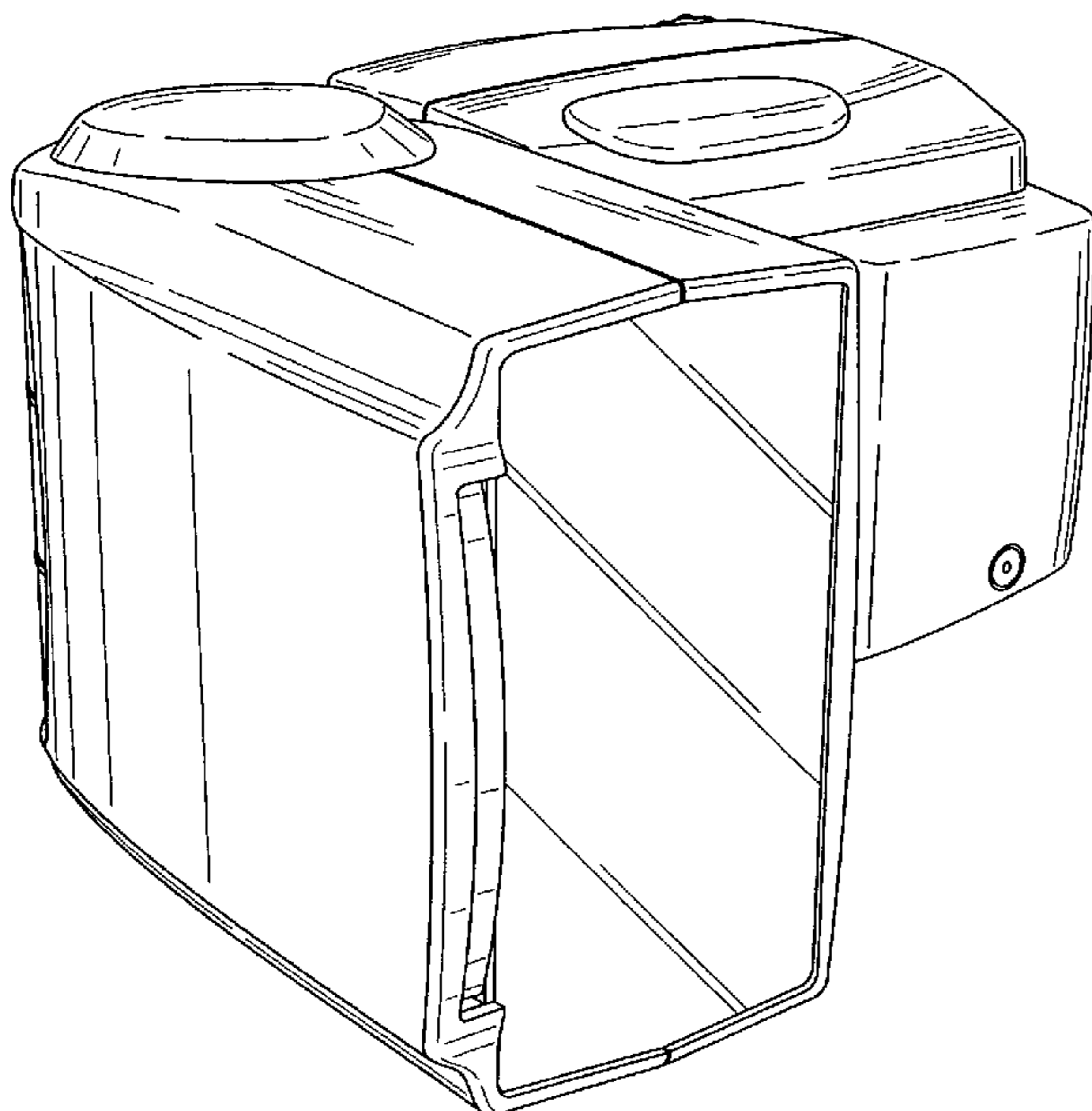
D263,720 S * 4/1982 Takematsu D16/240

FIG. 8 is a bottom plan view thereof.

4,555,747 A * 11/1985 Tsuruta 362/3

D303,266 S * 9/1989 Kato D16/239

1 Claim, 8 Drawing Sheets



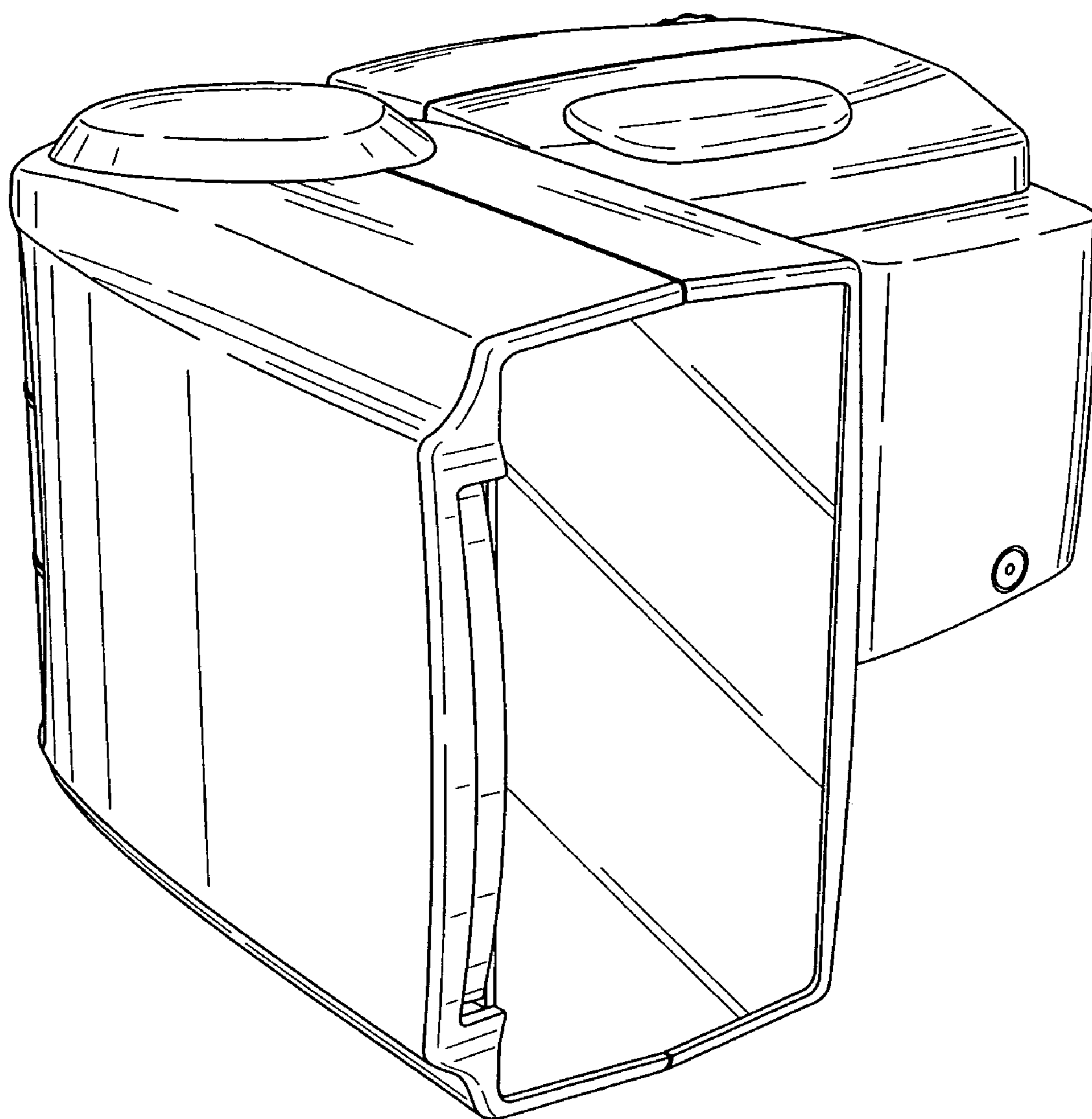


FIG. 1

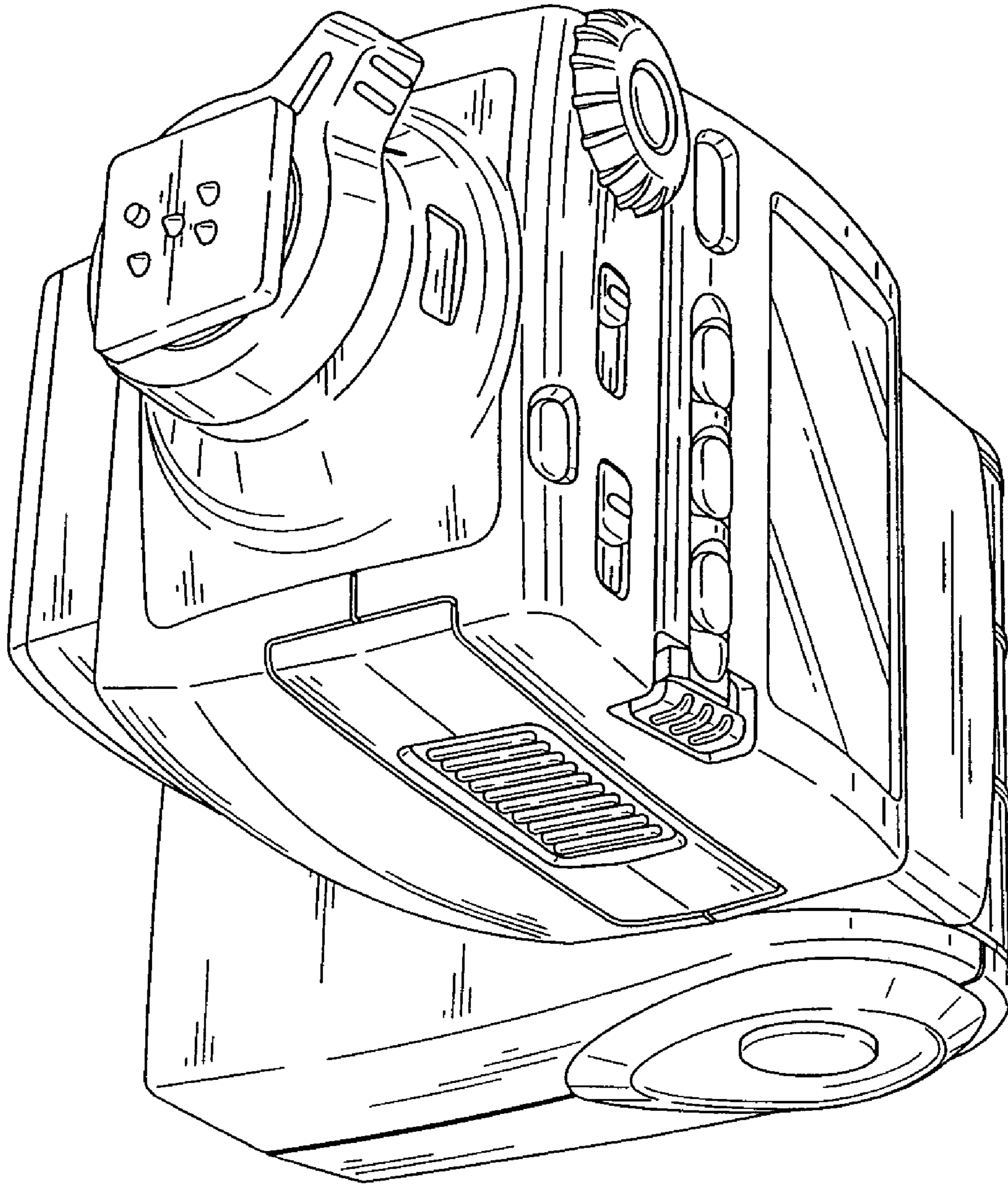


FIG. 2

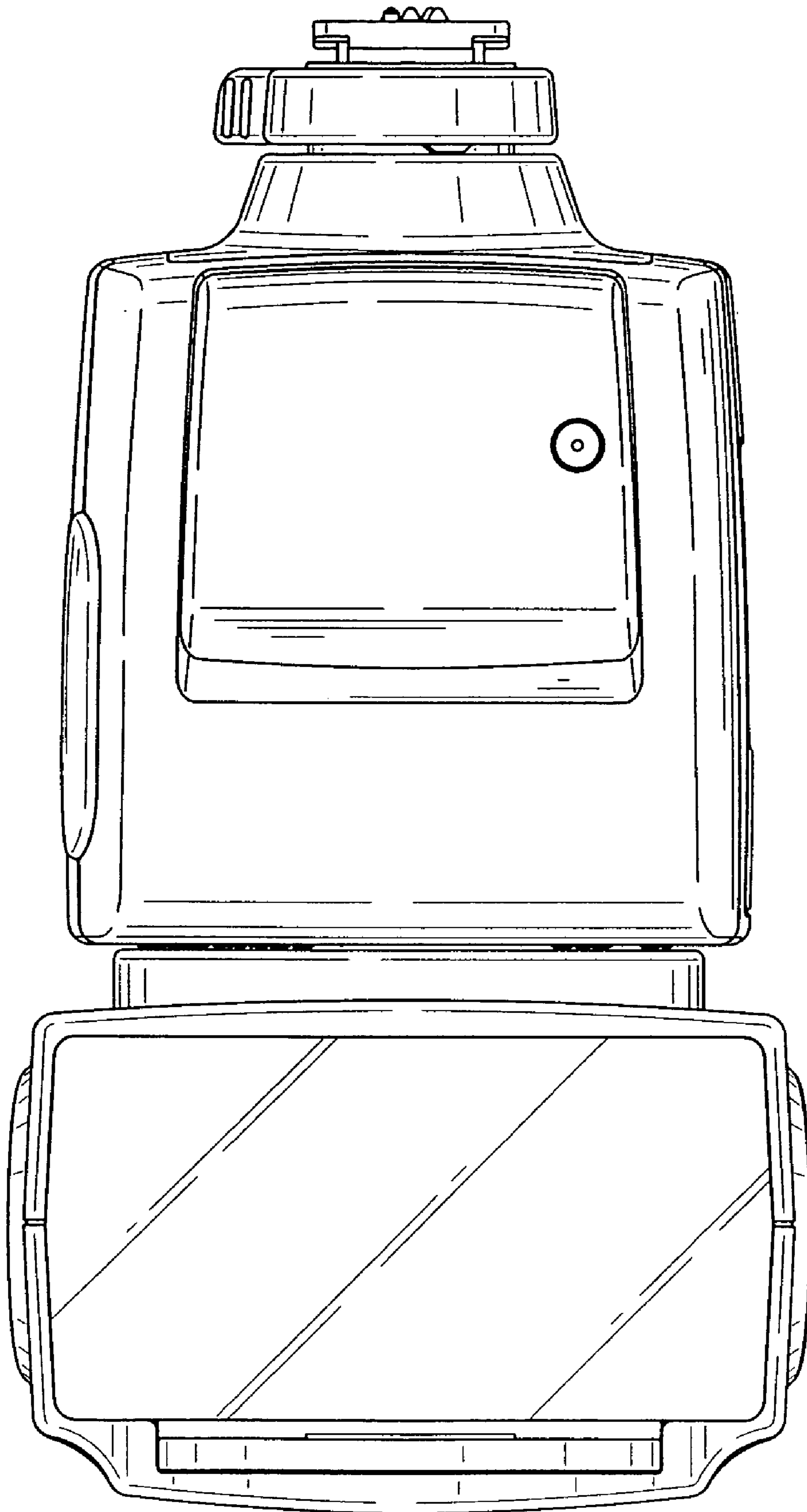


FIG. 3

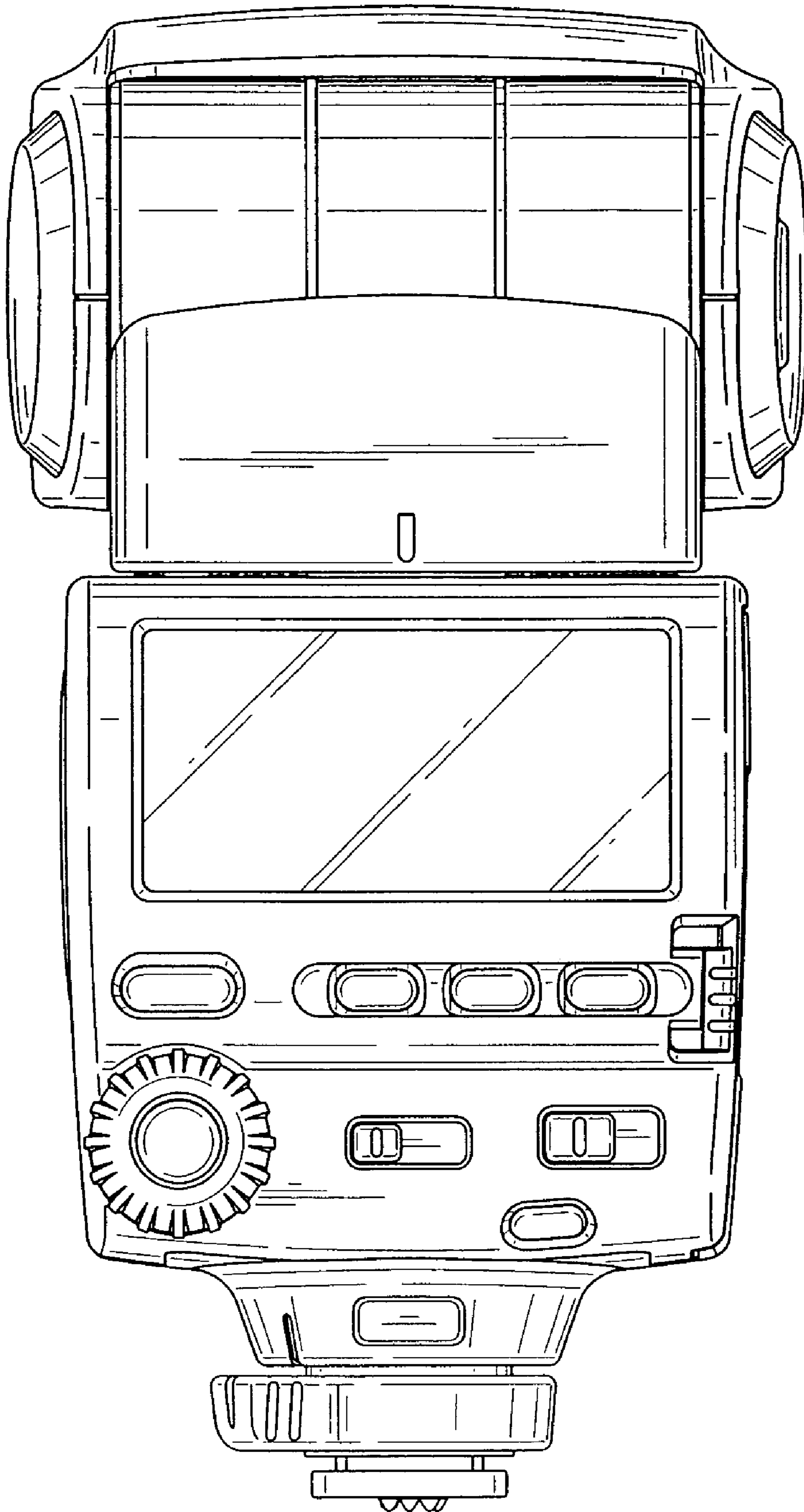


FIG. 4

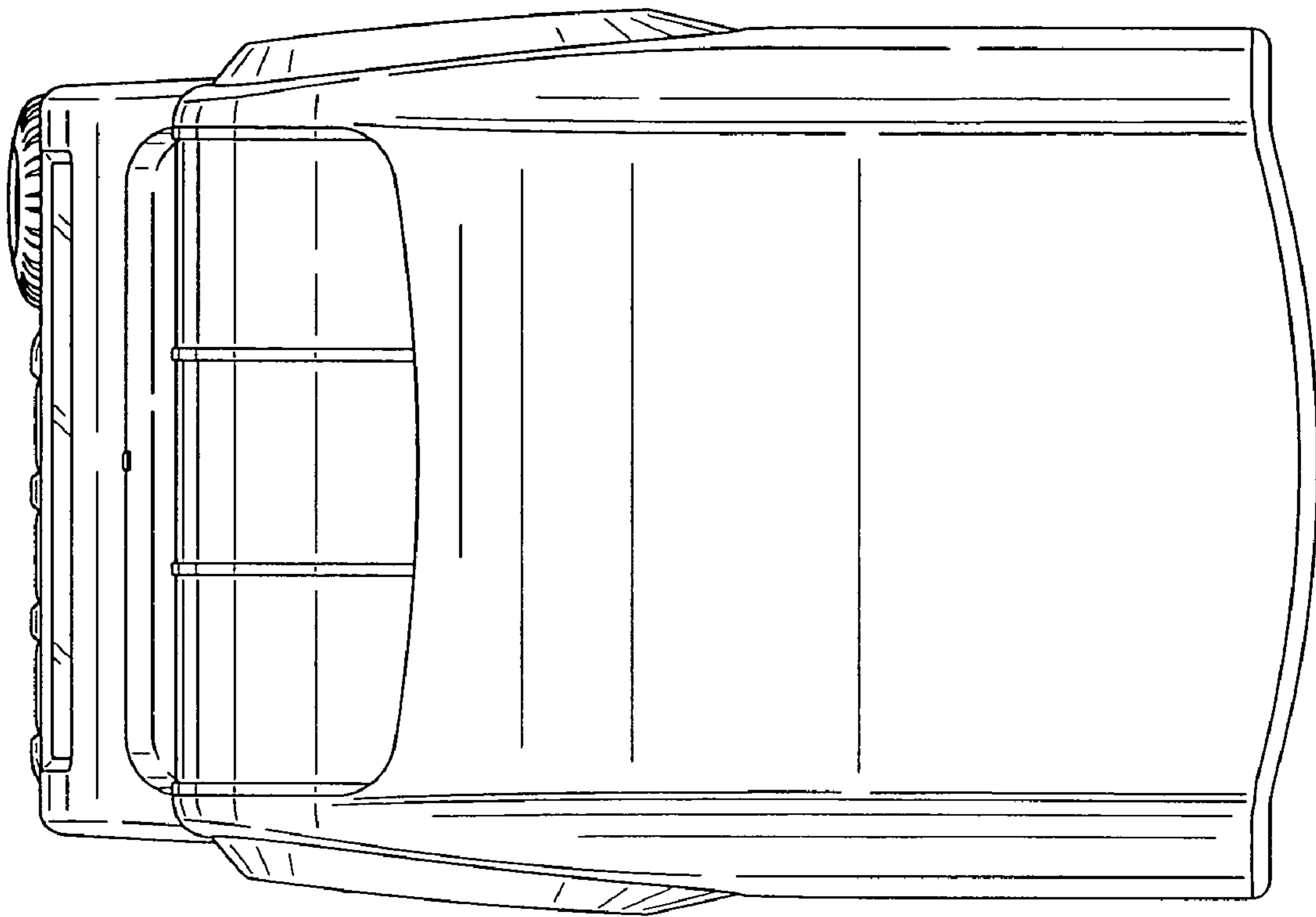


FIG. 5

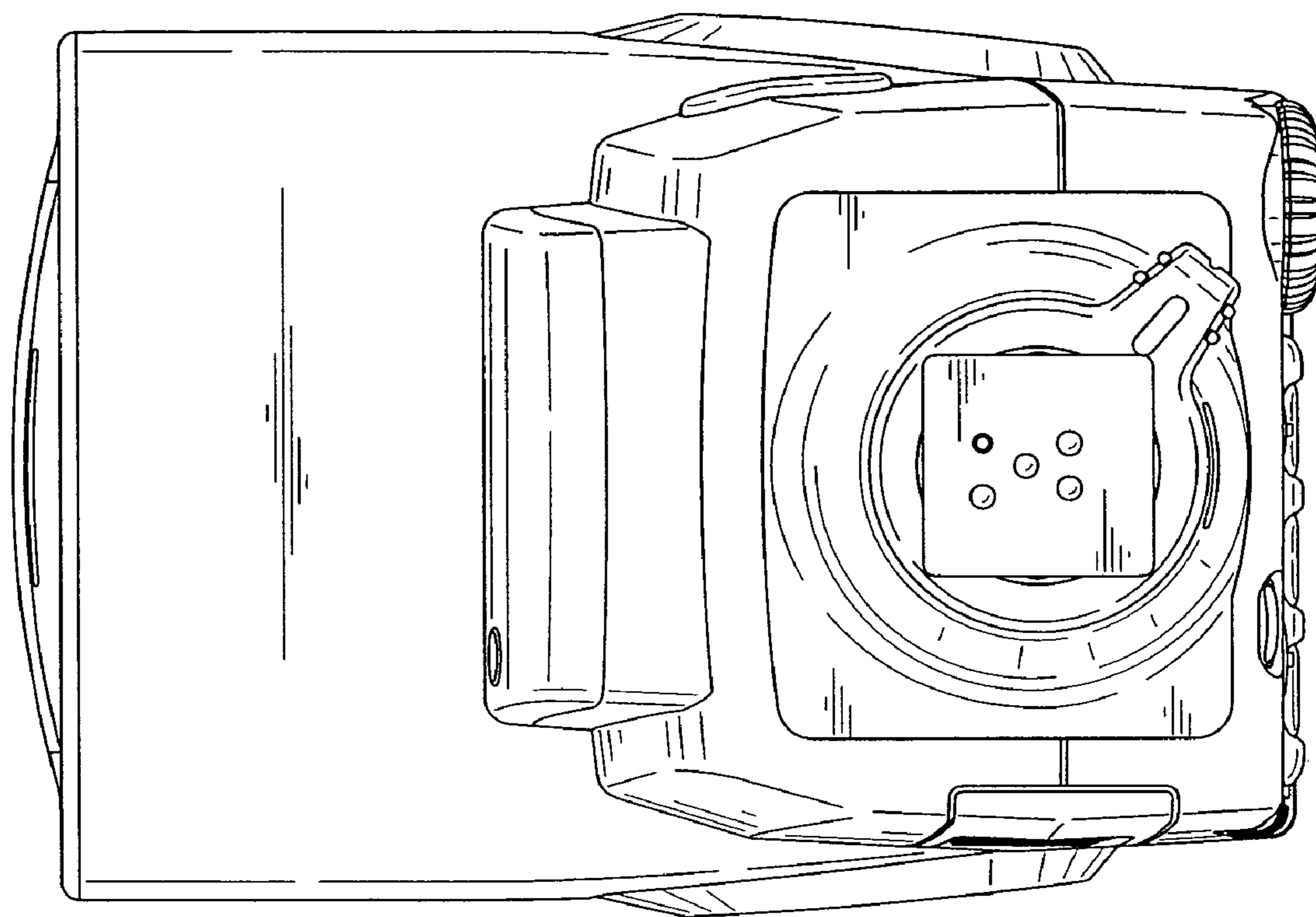


FIG. 6

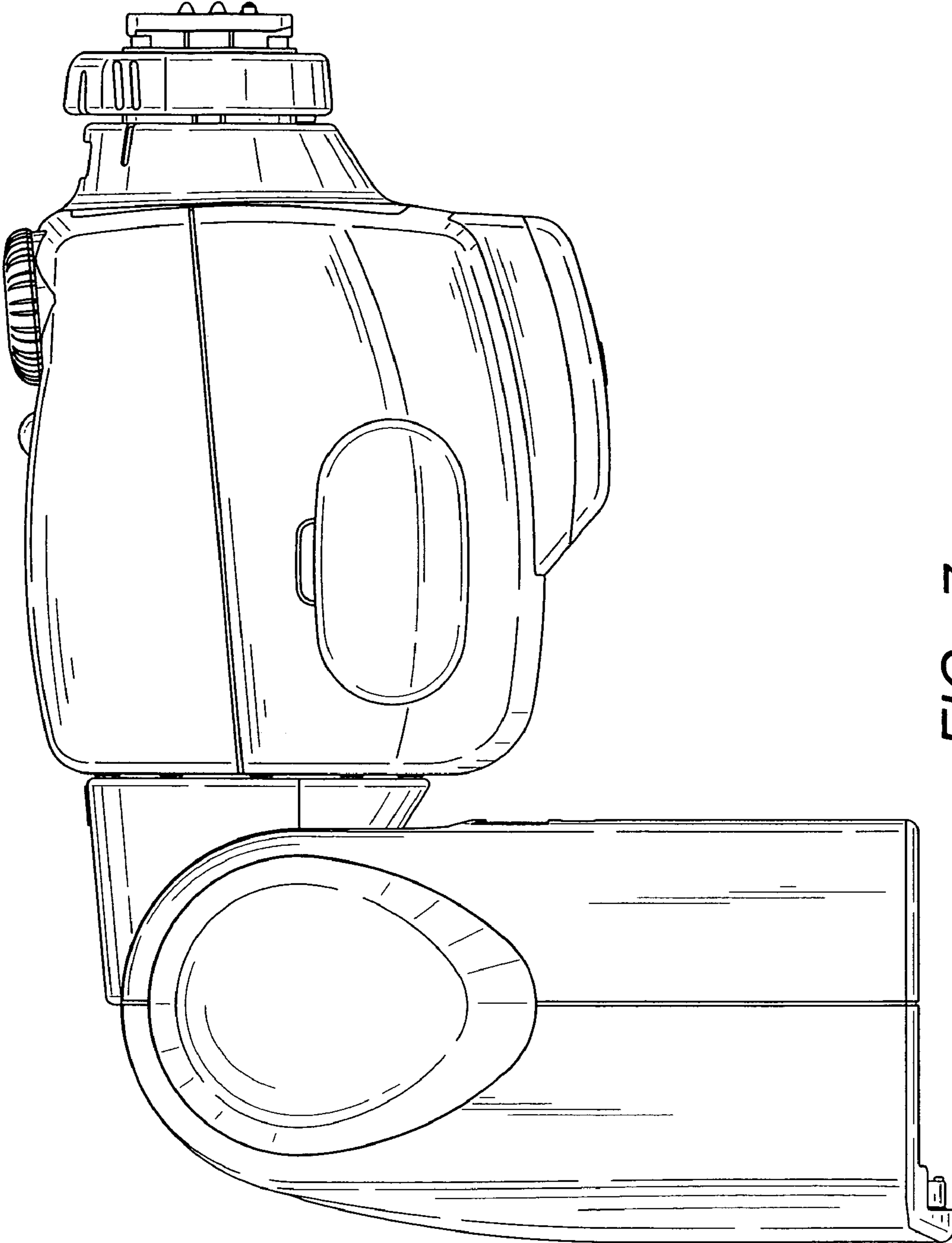


FIG. 7

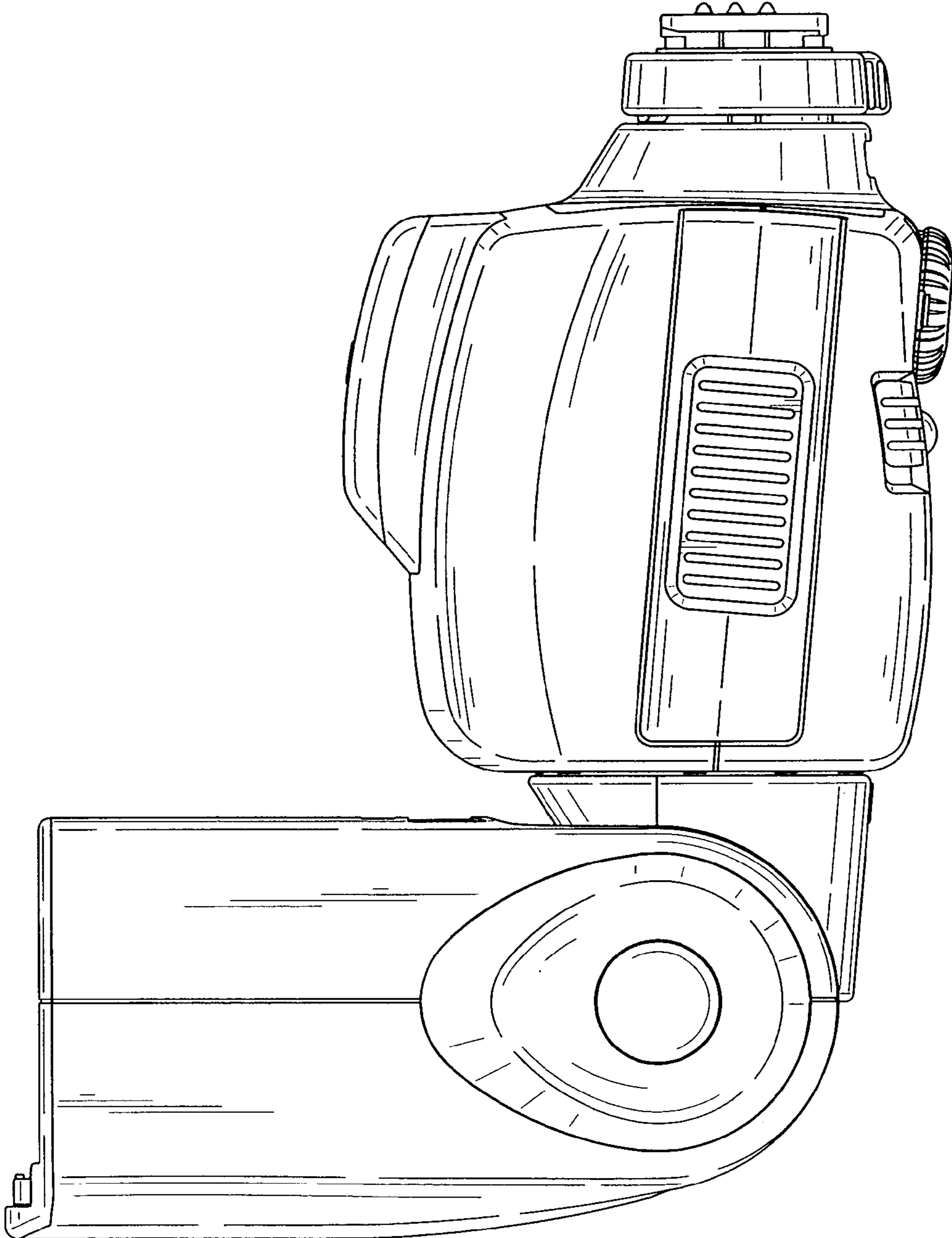


FIG. 8