



US00D562872S

(12) **United States Design Patent**
Hashimoto et al.

(10) **Patent No.:** **US D562,872 S**

(45) **Date of Patent:** **** Feb. 26, 2008**

(54) **PROJECTOR**

(75) Inventors: **Ichiro Hashimoto**, Tokyo (JP);
Kazuhito Sakaguchi, Sagamihara (JP)

(73) Assignee: **Casio Keisanki Kabushiki Kaisha**,
Tokyo (JP)

(**) Term: **14 Years**

(21) Appl. No.: **29/285,064**

(22) Filed: **Mar. 20, 2007**

(51) **LOC (8) Cl.** **16-02**

(52) **U.S. Cl.** **D16/230; D16/225**

(58) **Field of Classification Search** D16/205,
D16/208, 213, 221, 225, 229–231, 234–235;
D21/514; 353/115, 119, 122; 352/34, 202
See application file for complete search history.

(56) **References Cited**

U.S. PATENT DOCUMENTS

D331,768 S *	12/1992	Saeki et al.	D16/225
D343,849 S *	2/1994	Miyahara	D16/225
D387,795 S *	12/1997	Sakamoto	D16/231
D497,929 S *	11/2004	Ohki et al.	D16/230
D498,781 S *	11/2004	Azuma et al.	D16/230
D545,865 S *	7/2007	Azuma et al.	D16/230
D548,764 S *	8/2007	Ogino et al.	D16/230
D553,172 S *	10/2007	Azuma	D16/230

* cited by examiner

Primary Examiner—Charles A. Rademaker

Assistant Examiner—Wan Laymon

(74) *Attorney, Agent, or Firm*—Frishauf, Holtz, Goodman &
Chick, P.C.

(57) **CLAIM**

The ornamental design for a projector, as shown and
described.

DESCRIPTION

FIG. 1 is a front, right side, top perspective view of a
projector showing our new design;

FIG. 2 is a front elevational view thereof;

FIG. 3 is a rear elevational view thereof;

FIG. 4 is a left side view thereof;

FIG. 5 is a right side view thereof;

FIG. 6 is a top plan view thereof;

FIG. 7 is a bottom plan view thereof;

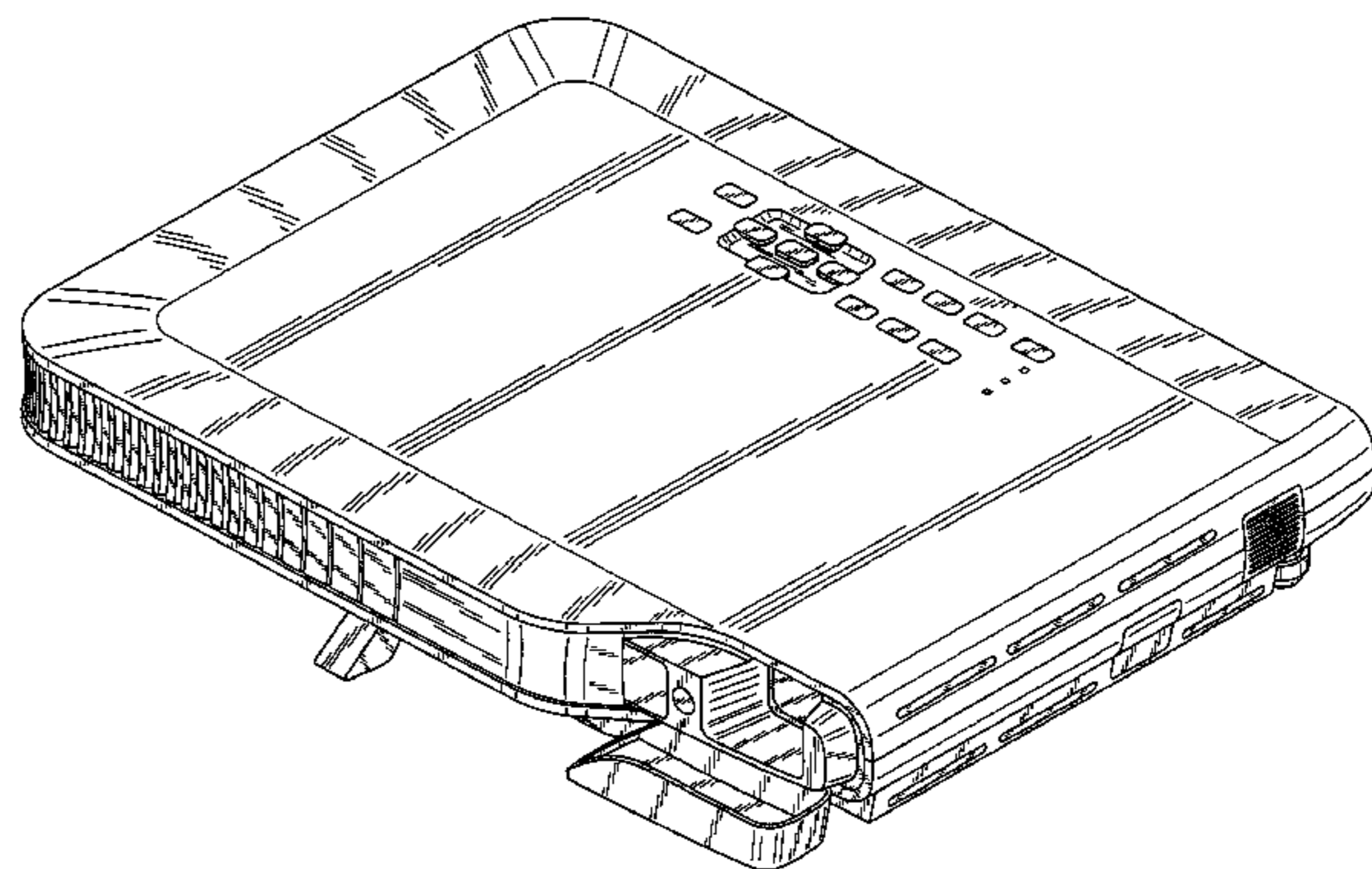
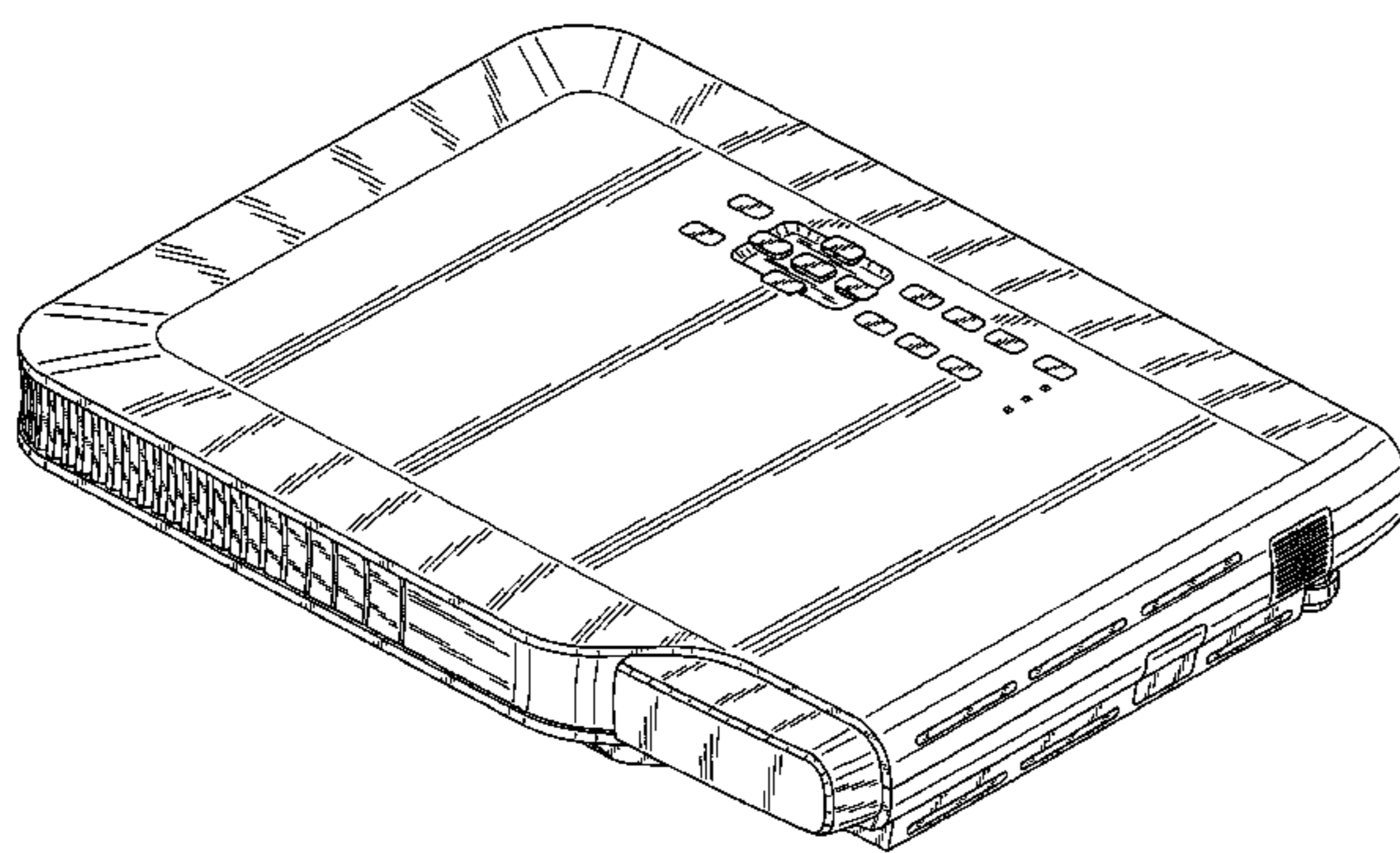
FIG. 8 is a front, right side, top perspective view thereof,
with the lid and leg portions shown in an open and extended
position;

FIG. 9 is a front elevational view thereof, with the lid and leg
portions shown in an open and extended position;

FIG. 10 is a right side view thereof, with the lid and leg
portions shown in an open and extended position; and,

FIG. 11 is a top plan view thereof, with the lid portion shown
in an open position.

1 Claim, 9 Drawing Sheets



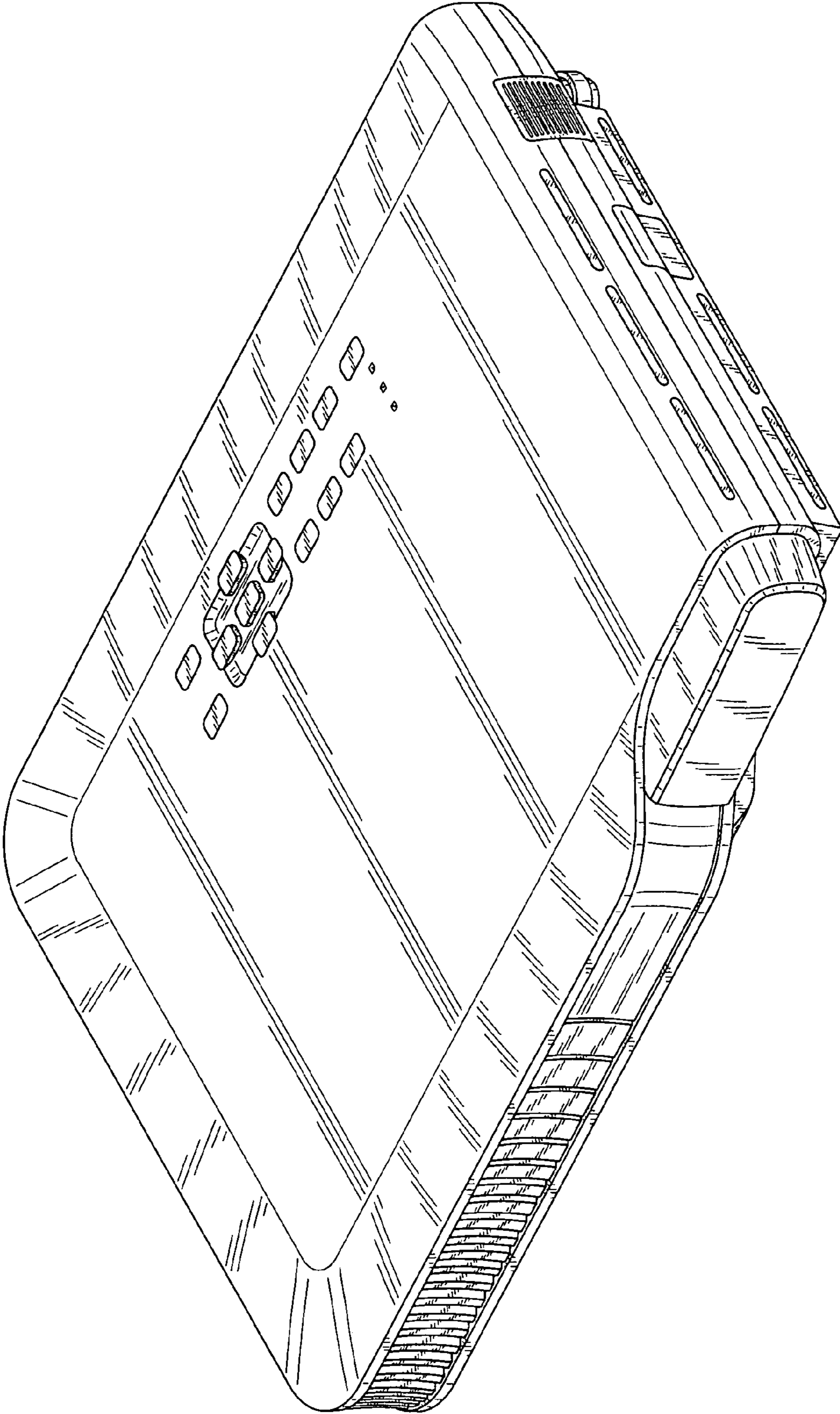


FIG. 1

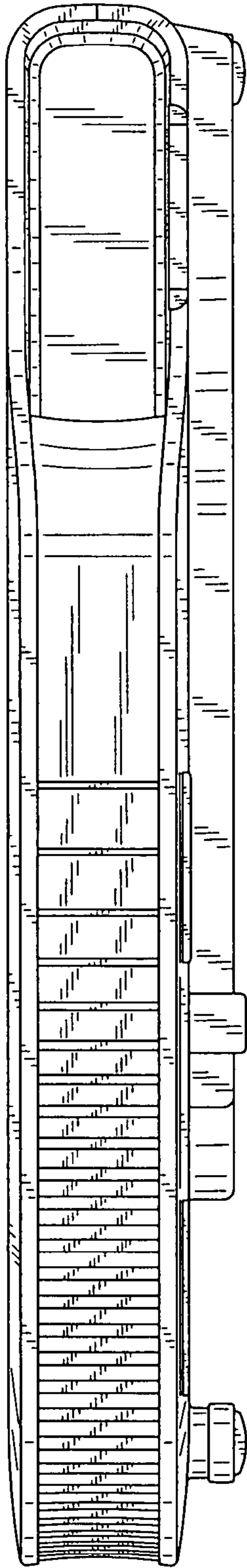


FIG. 2

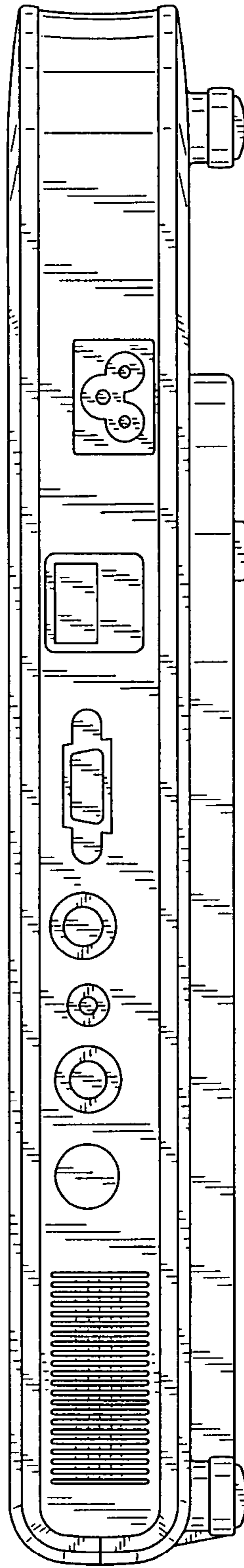


FIG. 3

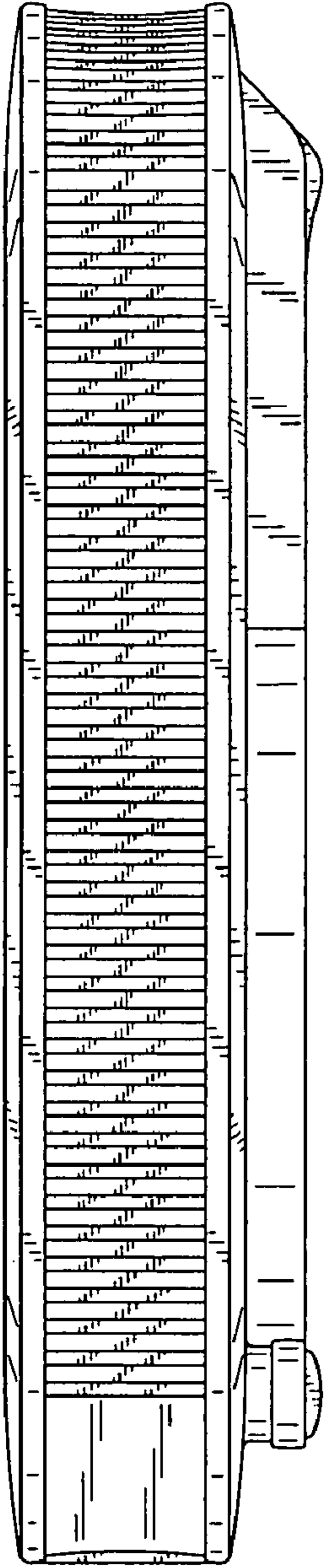


FIG. 4

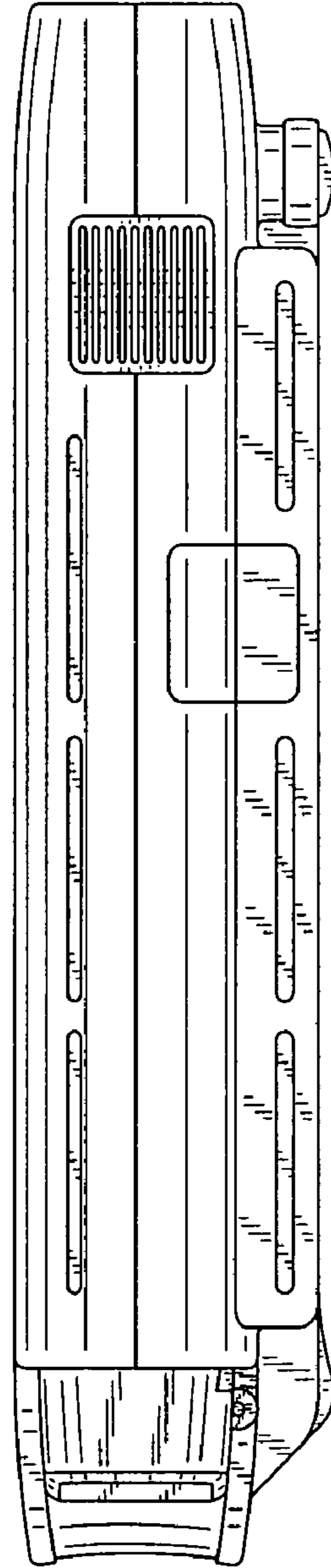


FIG. 5

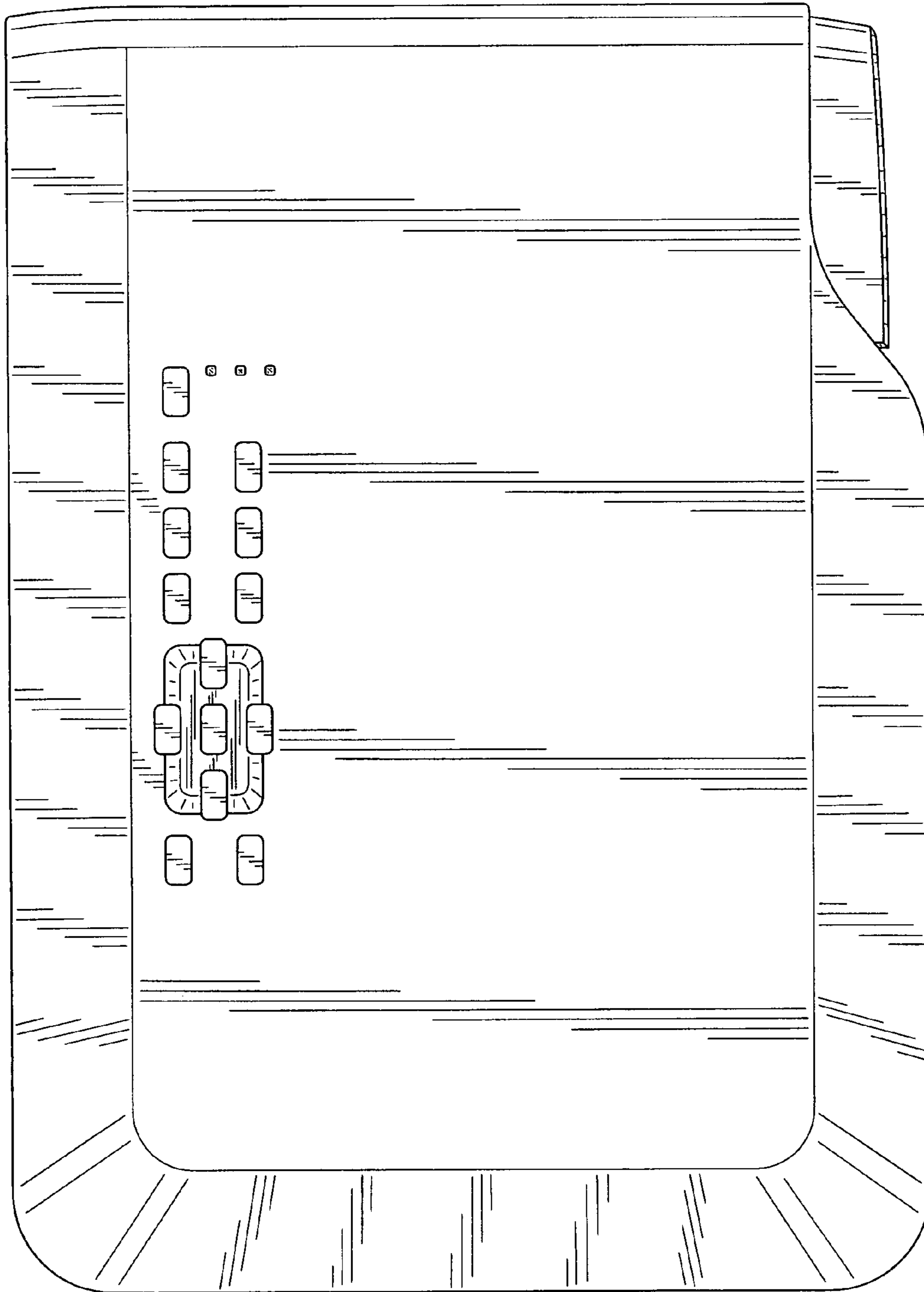


FIG. 6

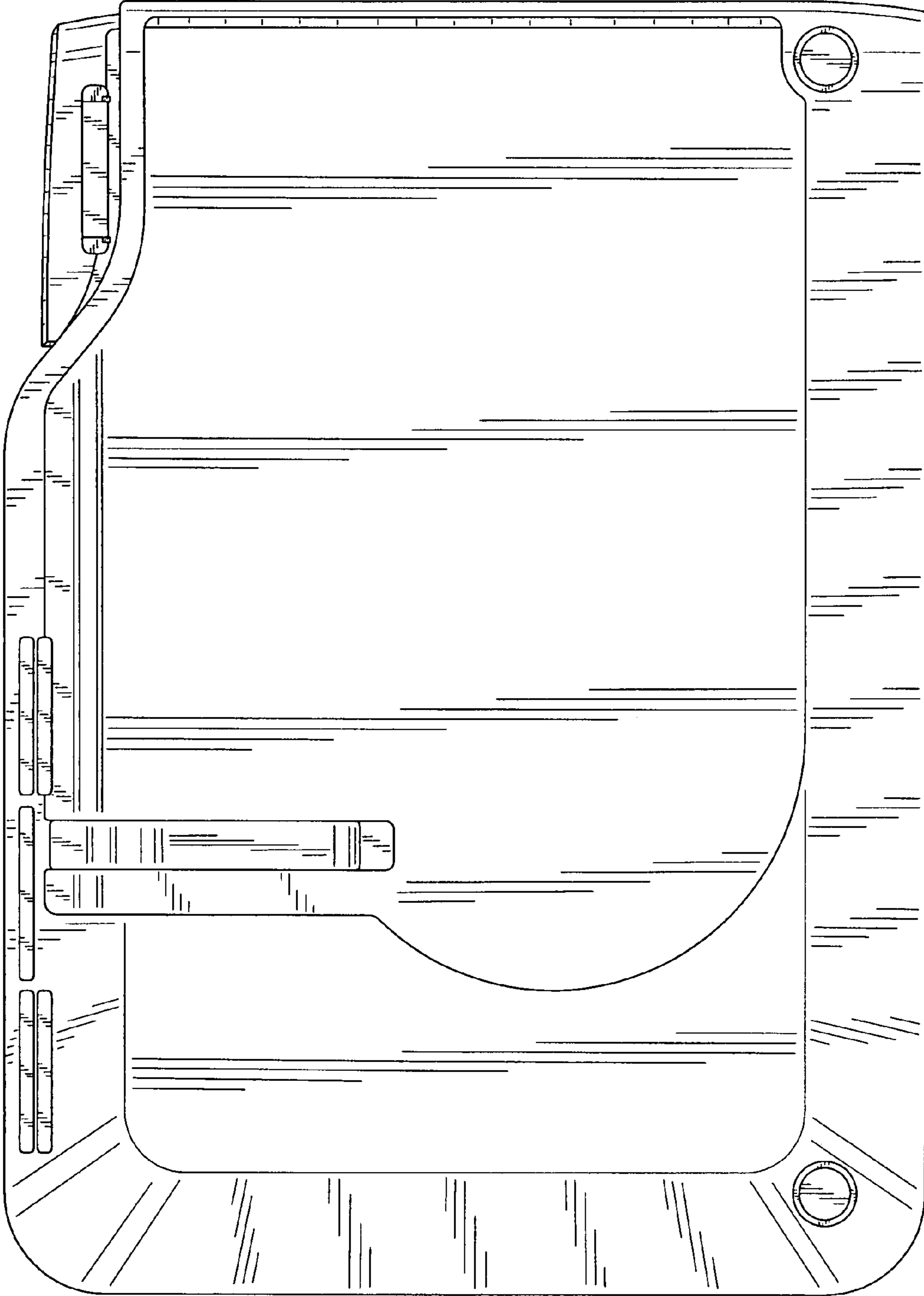


FIG. 7

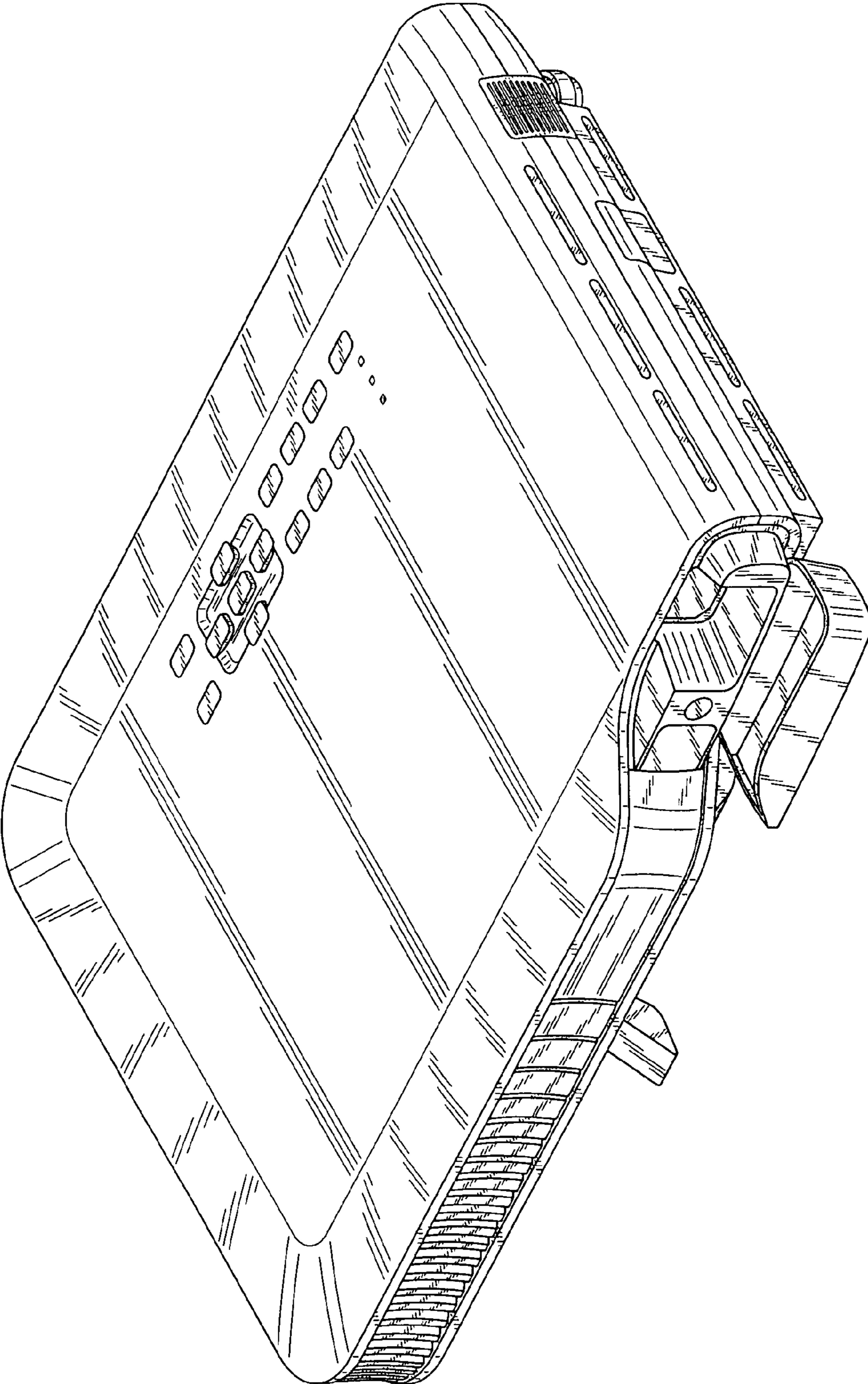


FIG. 8

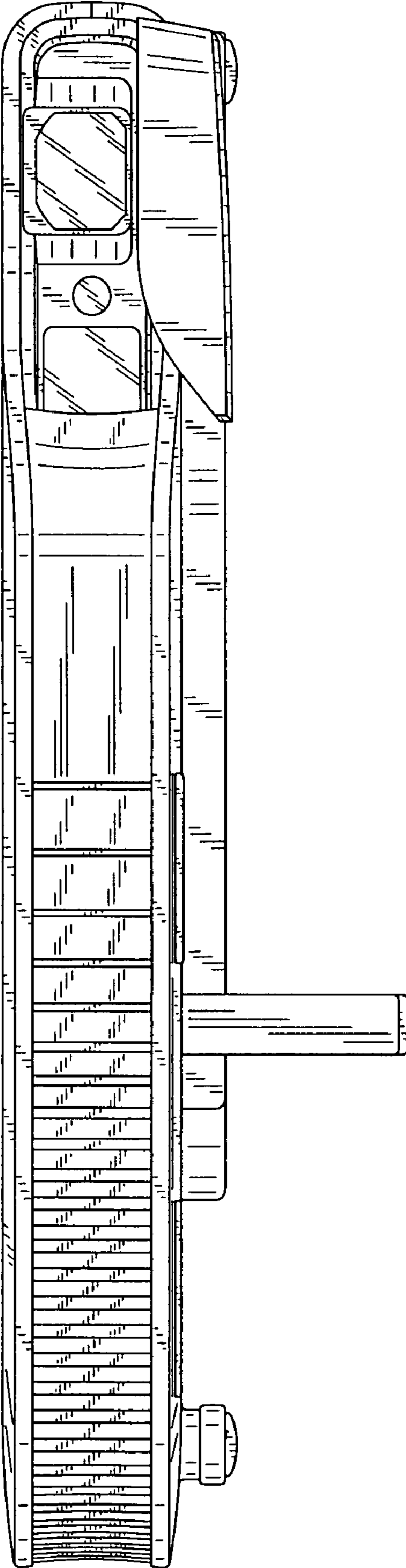


FIG. 9

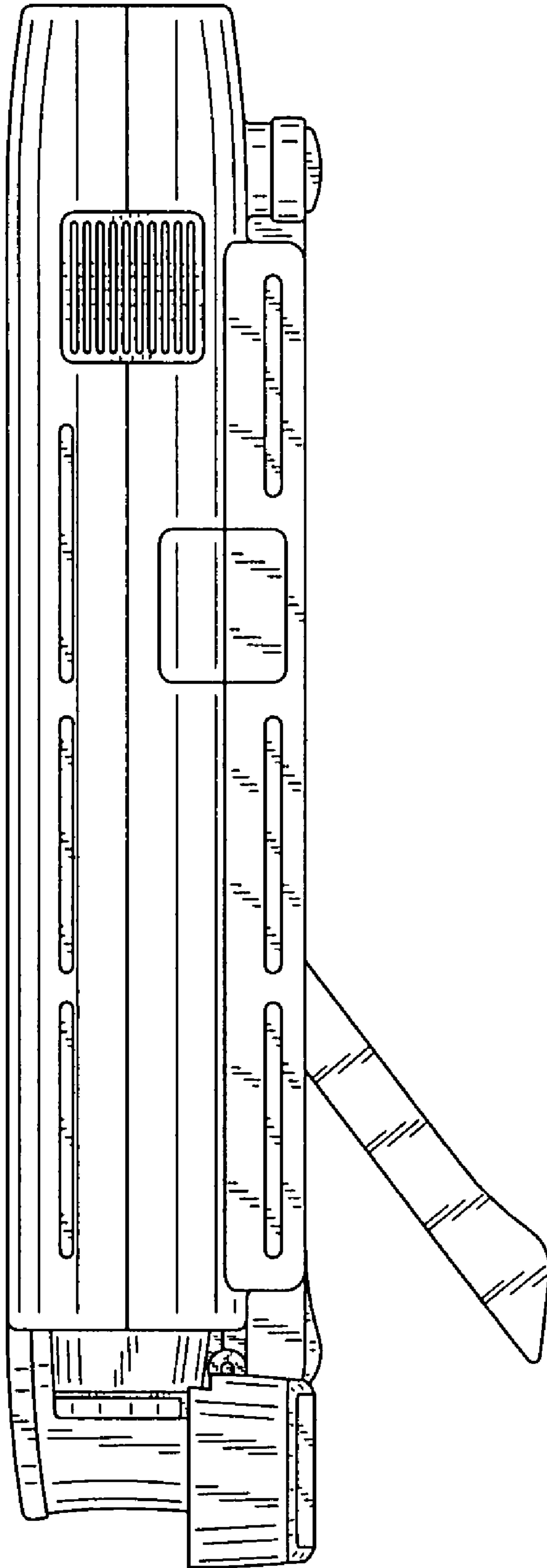


FIG. 10

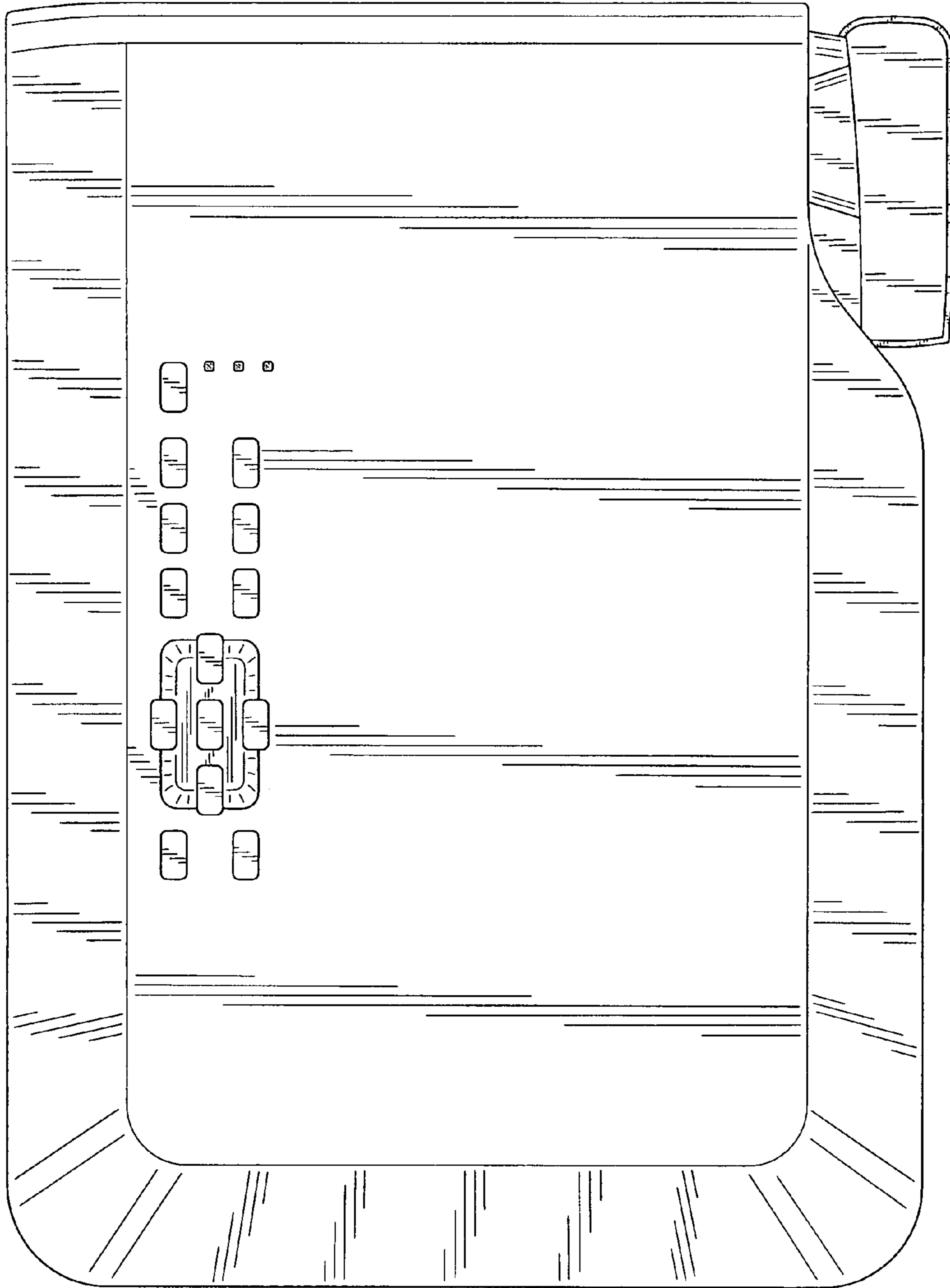


FIG. 11