



US00D562871S

(12) **United States Design Patent** (10) **Patent No.:** **US D562,871 S**  
**Ishii** (45) **Date of Patent:** **\*\* Feb. 26, 2008**

(54) **DIGITAL CAMERA**

(75) Inventor: **Daisuke Ishii**, Tokyo (JP)

(73) Assignee: **Sony Corporation**, Tokyo (JP)

(\*\*) Term: **14 Years**

(21) Appl. No.: **29/272,003**

(22) Filed: **Jan. 31, 2007**

(30) **Foreign Application Priority Data**

Oct. 16, 2006 (JP) ..... D2006-027859

(51) **LOC (8) Cl.** ..... **16-01**

(52) **U.S. Cl.** ..... **D16/212; D16/218**

(58) **Field of Classification Search** ..... D16/200–206,  
D16/208, 211–212, 218; 348/373–376; 358/906,  
358/909.1; 396/535–541, 248, 448  
See application file for complete search history.

(56) **References Cited**

**U.S. PATENT DOCUMENTS**

5,005,032 A \* 4/1991 Burnham ..... 396/178  
5,557,356 A \* 9/1996 Ishida et al. .... 396/6  
D423,543 S \* 4/2000 Hashimoto et al. .... D16/212  
D470,523 S \* 2/2003 Basmadjian et al. .... D16/212  
D491,970 S 6/2004 Ikenaga  
6,796,727 B2 \* 9/2004 Tanabe ..... 396/448  
D500,777 S 1/2005 Basmadjian et al.  
D508,711 S 8/2005 Suzuki

D519,539 S 4/2006 Takagi  
D521,043 S 5/2006 Takagi  
D522,558 S \* 6/2006 Murray ..... D16/212  
D541,834 S \* 5/2007 Horikiri et al. .... D16/202  
2005/0134727 A1 \* 6/2005 Teramoto et al. .... 348/375  
2006/0181639 A1 \* 8/2006 Ueda et al. .... 348/376

**FOREIGN PATENT DOCUMENTS**

JP D1155478 S 10/2002

\* cited by examiner

*Primary Examiner*—Jeffrey Asch

*Assistant Examiner*—Wan Laymon

(74) *Attorney, Agent, or Firm*—Rader, Fishman & Grauer, PLLC

(57) **CLAIM**

The ornamental design for a digital camera, as shown.

**DESCRIPTION**

FIG. 1 is a perspective view of a digital camera showing my new design;

FIG. 2 is a front elevational view thereof;

FIG. 3 is a rear elevational view thereof;

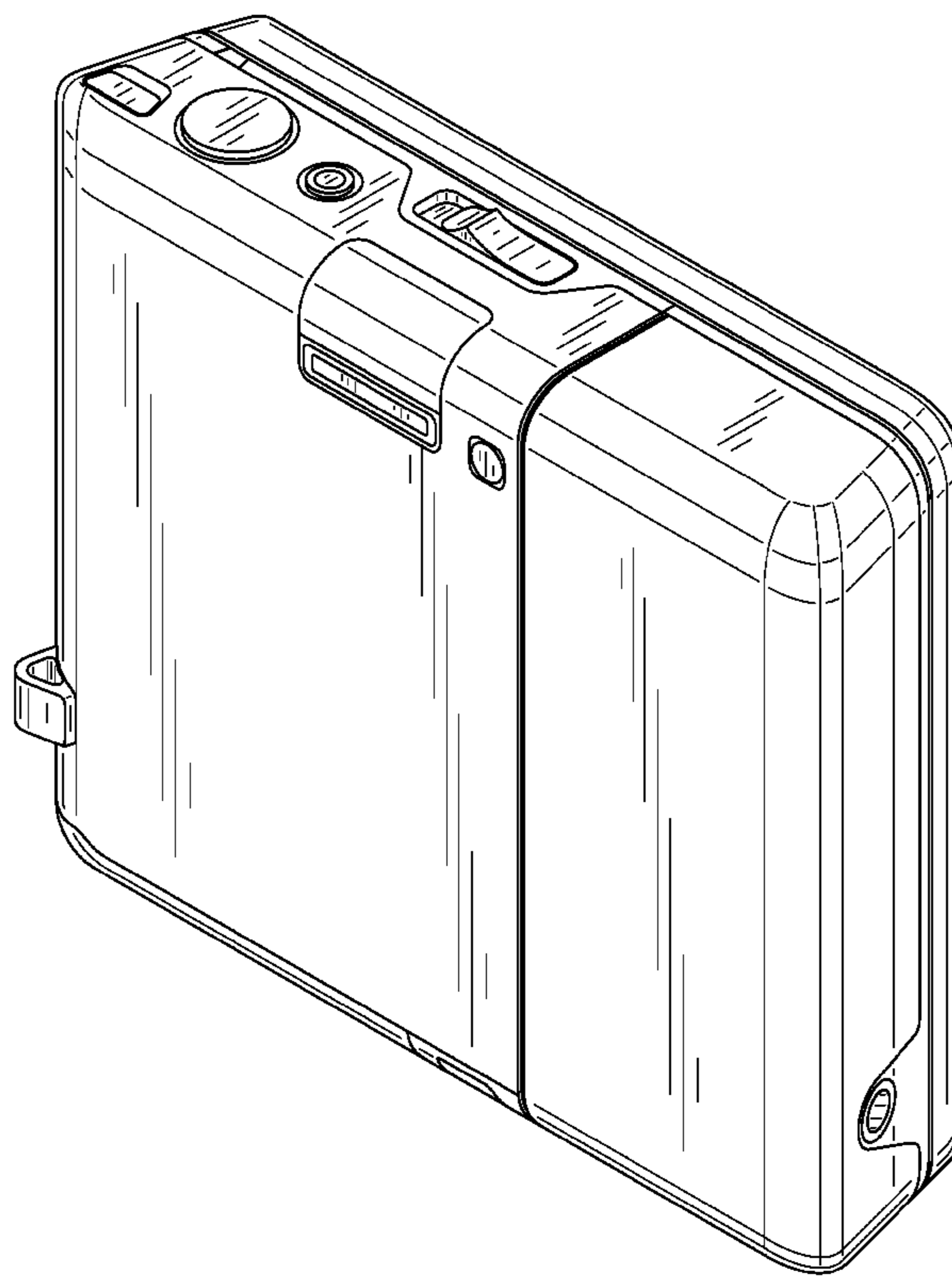
FIG. 4 is a left side elevational view thereof;

FIG. 5 is a right side elevational view thereof;

FIG. 6 is a top plan view thereof; and,

FIG. 7 is a bottom plan view thereof.

**1 Claim, 7 Drawing Sheets**



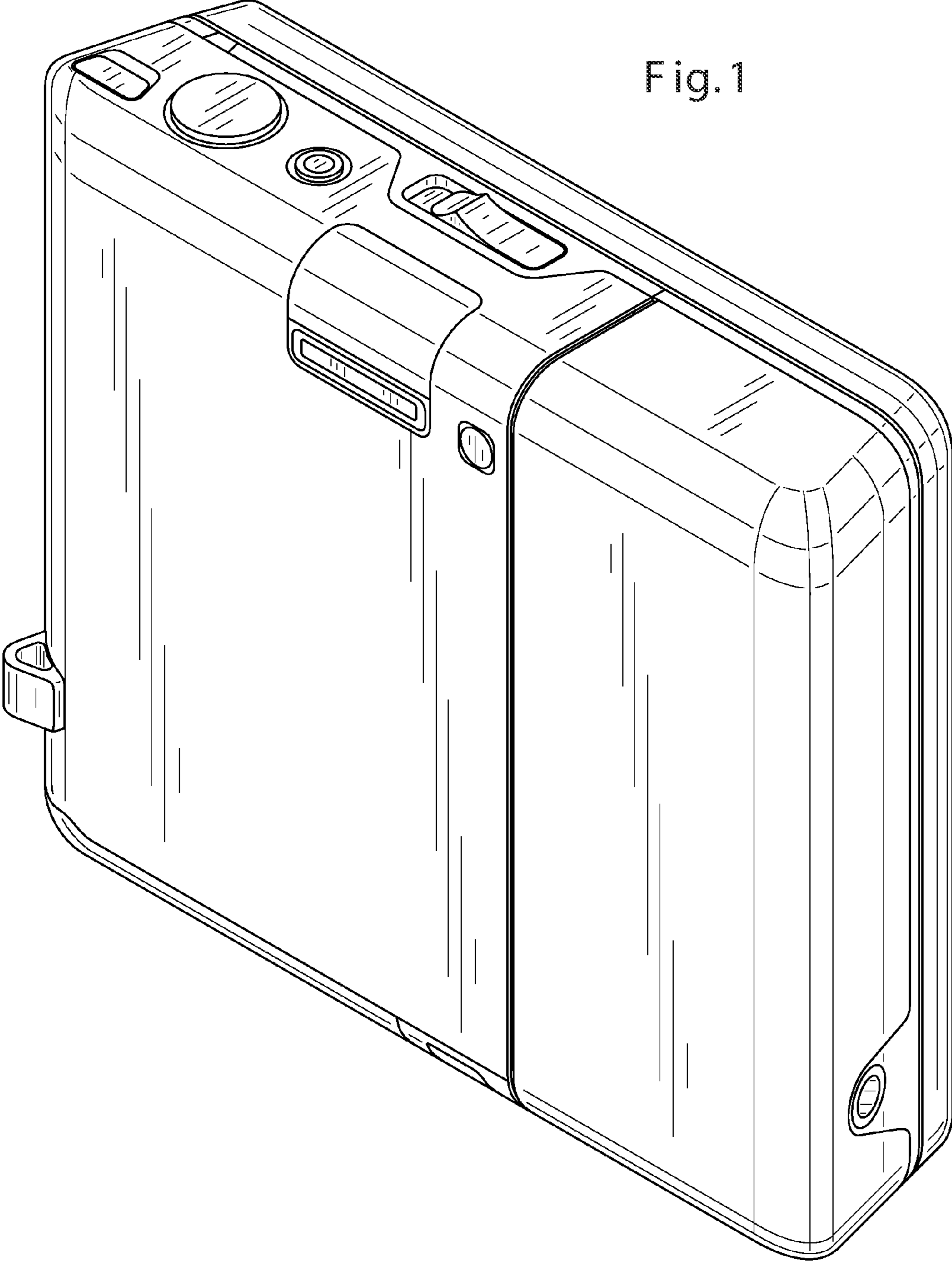


Fig. 1

Fig.2

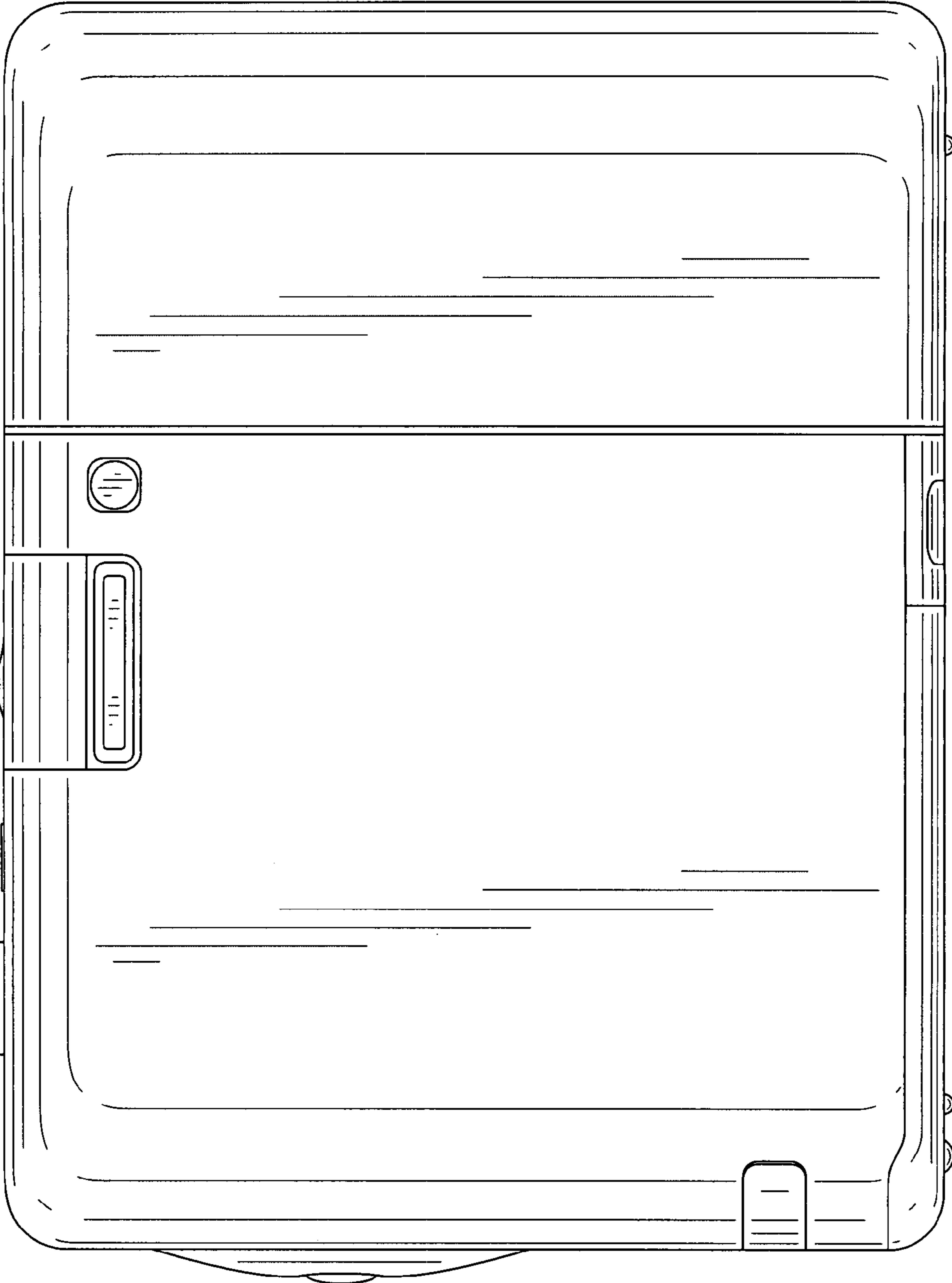
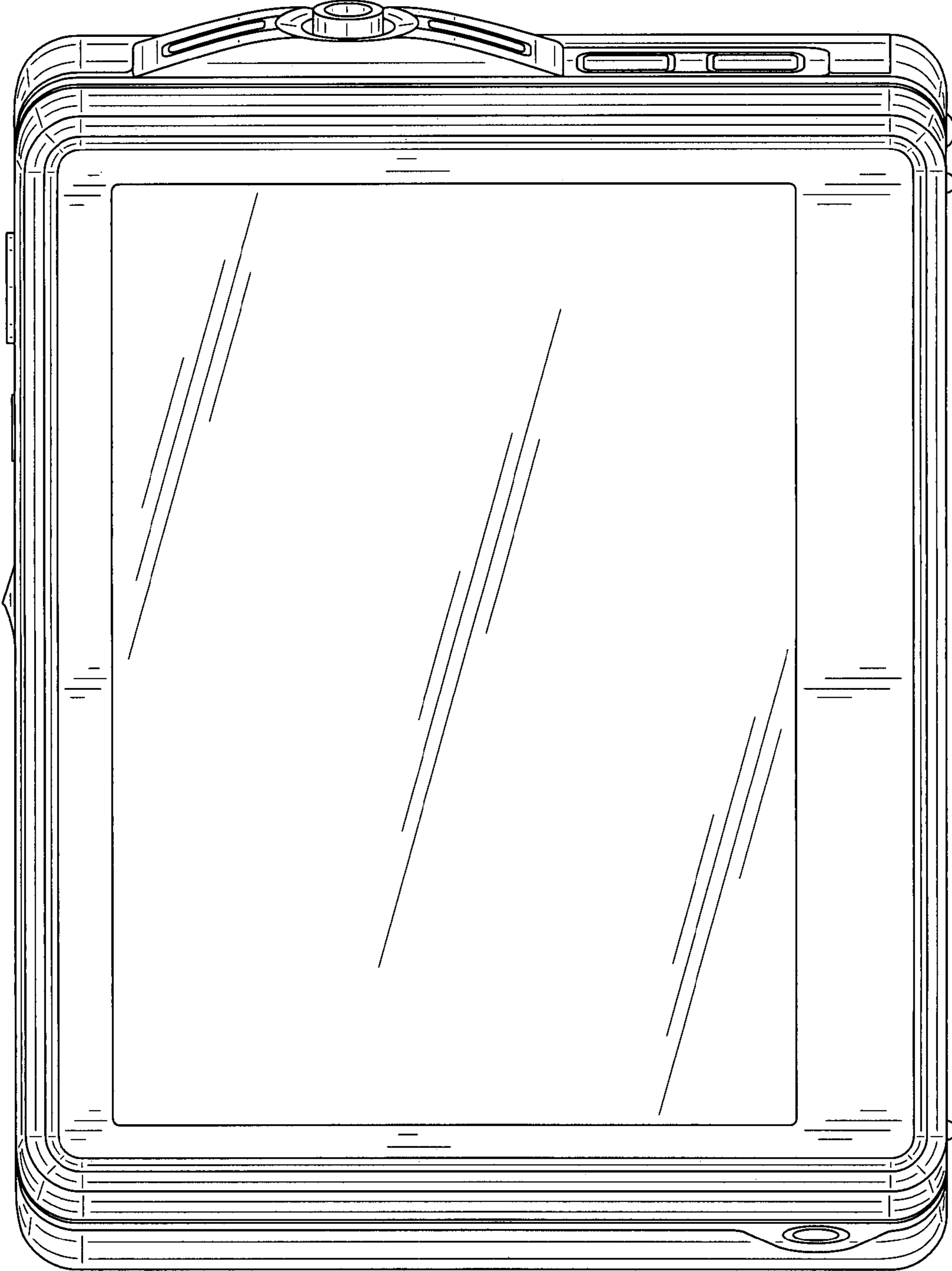


Fig.3



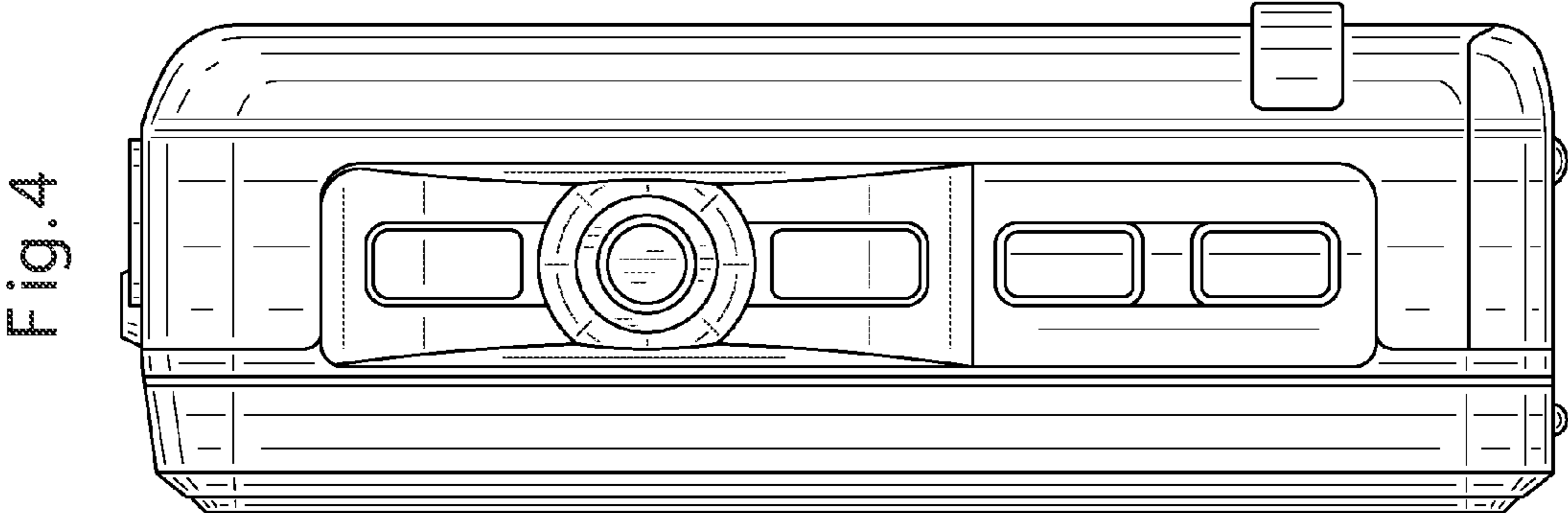


Fig.4

Fig.5

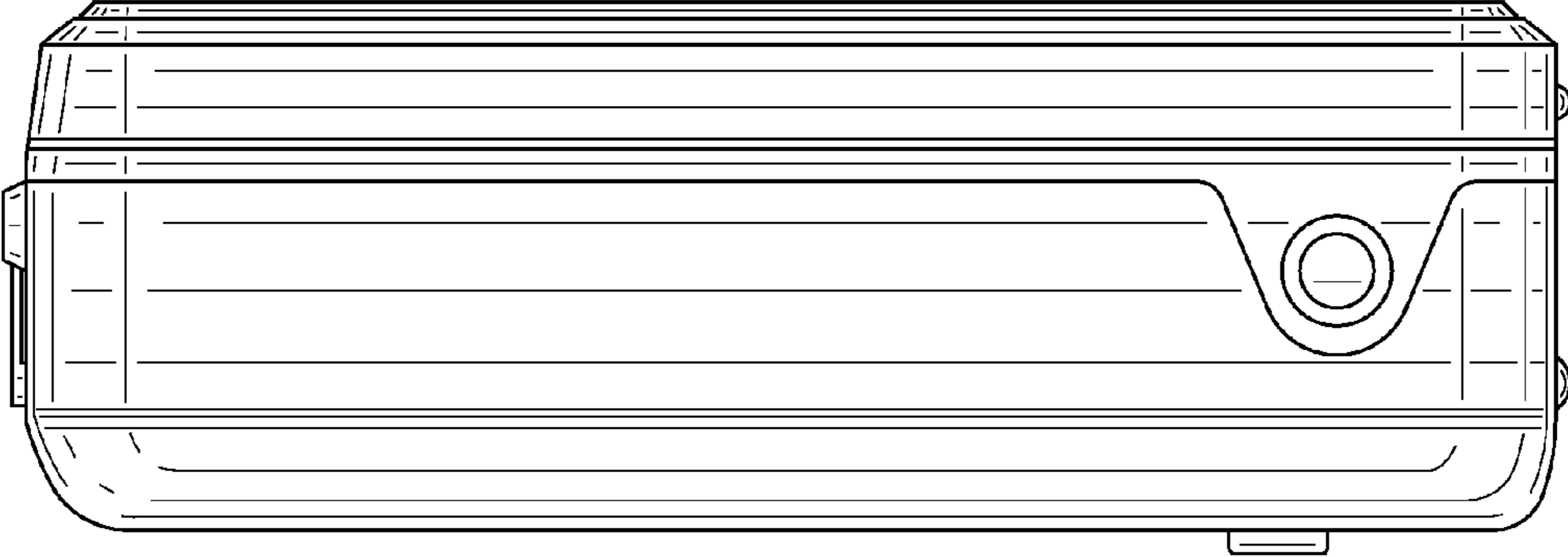


Fig. 6

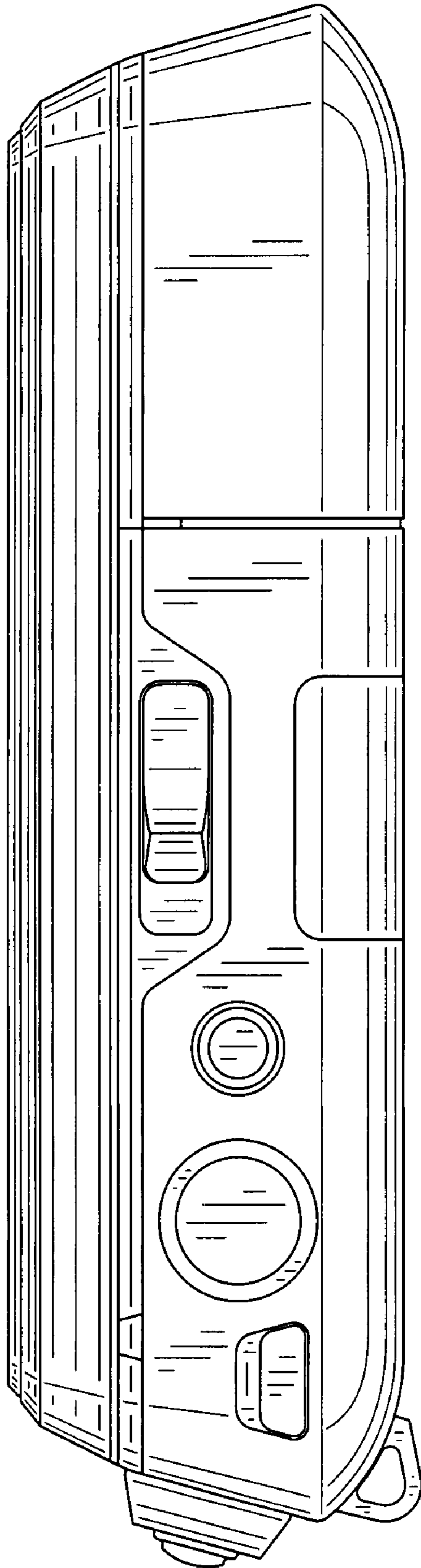


Fig. 7

