

US00D562868S

(12) **United States Design Patent**
Cho et al.

(10) **Patent No.:** **US D562,868 S**

(45) **Date of Patent:** **** Feb. 26, 2008**

(54) **NETWORK CAMERA**

(75) Inventors: **Changsin Cho**, Tokyo (JP); **Shosaku Kawashima**, Yokohama (JP)

(73) Assignee: **Canon Kabushiki Kaisha**, Tokyo (JP)

(**) Term: **14 Years**

(21) Appl. No.: **29/276,541**

(22) Filed: **Jan. 29, 2007**

(30) **Foreign Application Priority Data**

Aug. 31, 2006 (JP) 2006-023143

(51) **LOC (8) Cl.** **16-01**

(52) **U.S. Cl.** **D16/202**

(58) **Field of Classification Search** D16/200–205,
D16/208, 218; 348/14.01–14.1, 373–376;
358/906, 909.1; 396/535–541

See application file for complete search history.

(56) **References Cited**

U.S. PATENT DOCUMENTS

5,900,907 A * 5/1999 Malloy et al. 348/14.1
D426,249 S * 6/2000 Tsujimoto D16/202
6,437,826 B1 * 8/2002 Arnold 348/373

D476,345 S * 6/2003 Phelps et al. D16/202
D487,475 S * 3/2004 Uehara D16/202
D487,764 S * 3/2004 Adachi et al. D16/203
D550,265 S * 9/2007 Goto D16/202

* cited by examiner

Primary Examiner—Adir Aronovich

(74) *Attorney, Agent, or Firm*—Fitzpatrick, Cella, Harper & Scinto

(57) **CLAIM**

The ornamental design for a network camera, as shown and described.

DESCRIPTION

FIG. 1 is a front view of a network camera showing our new design;

FIG. 2 is a rear view thereof;

FIG. 3 is a top plan view thereof;

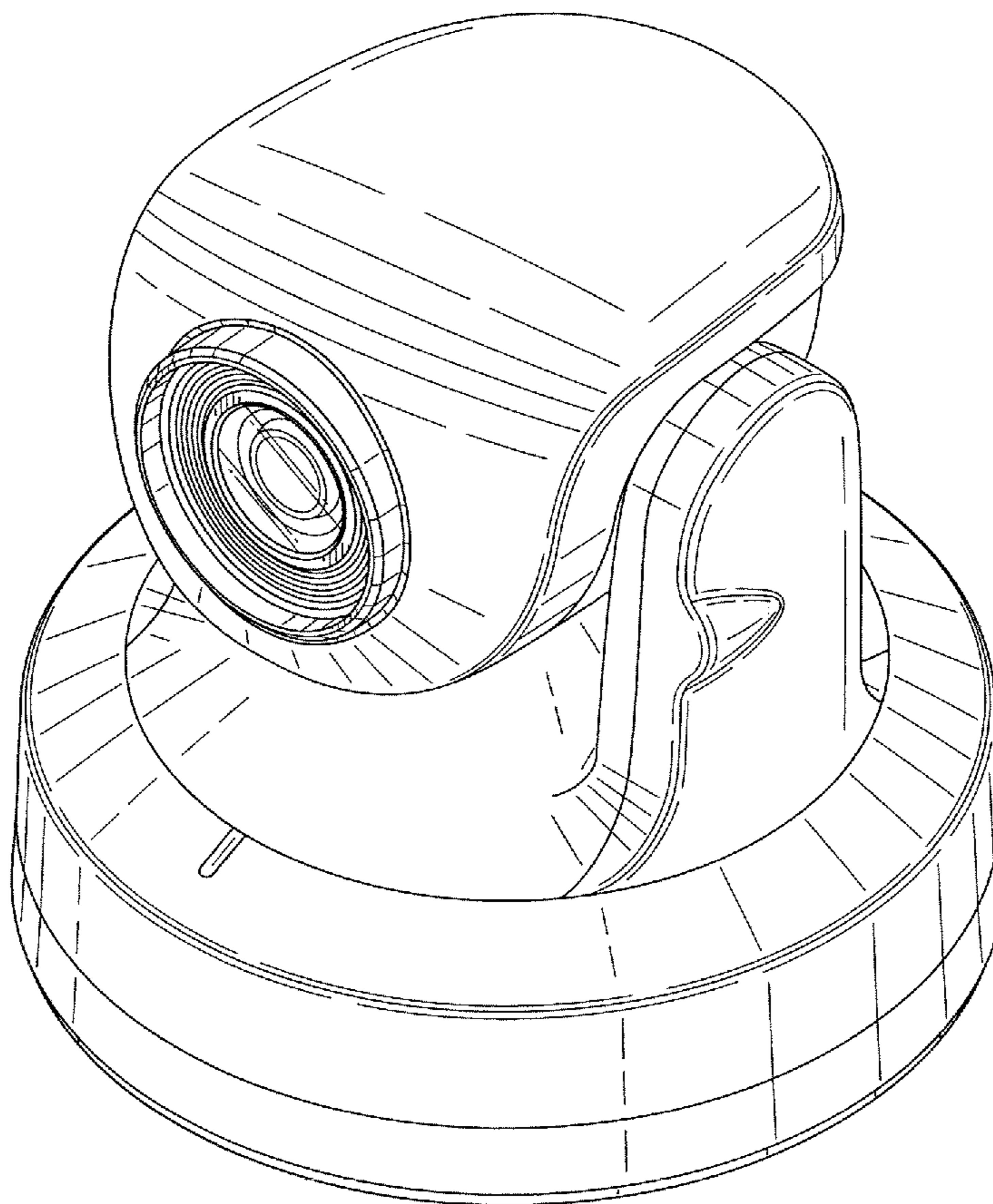
FIG. 4 is a bottom plan view thereof;

FIG. 5 is a left side view thereof;

FIG. 6 is a right side view thereof; and,

FIG. 7 is a perspective view thereof.

1 Claim, 7 Drawing Sheets



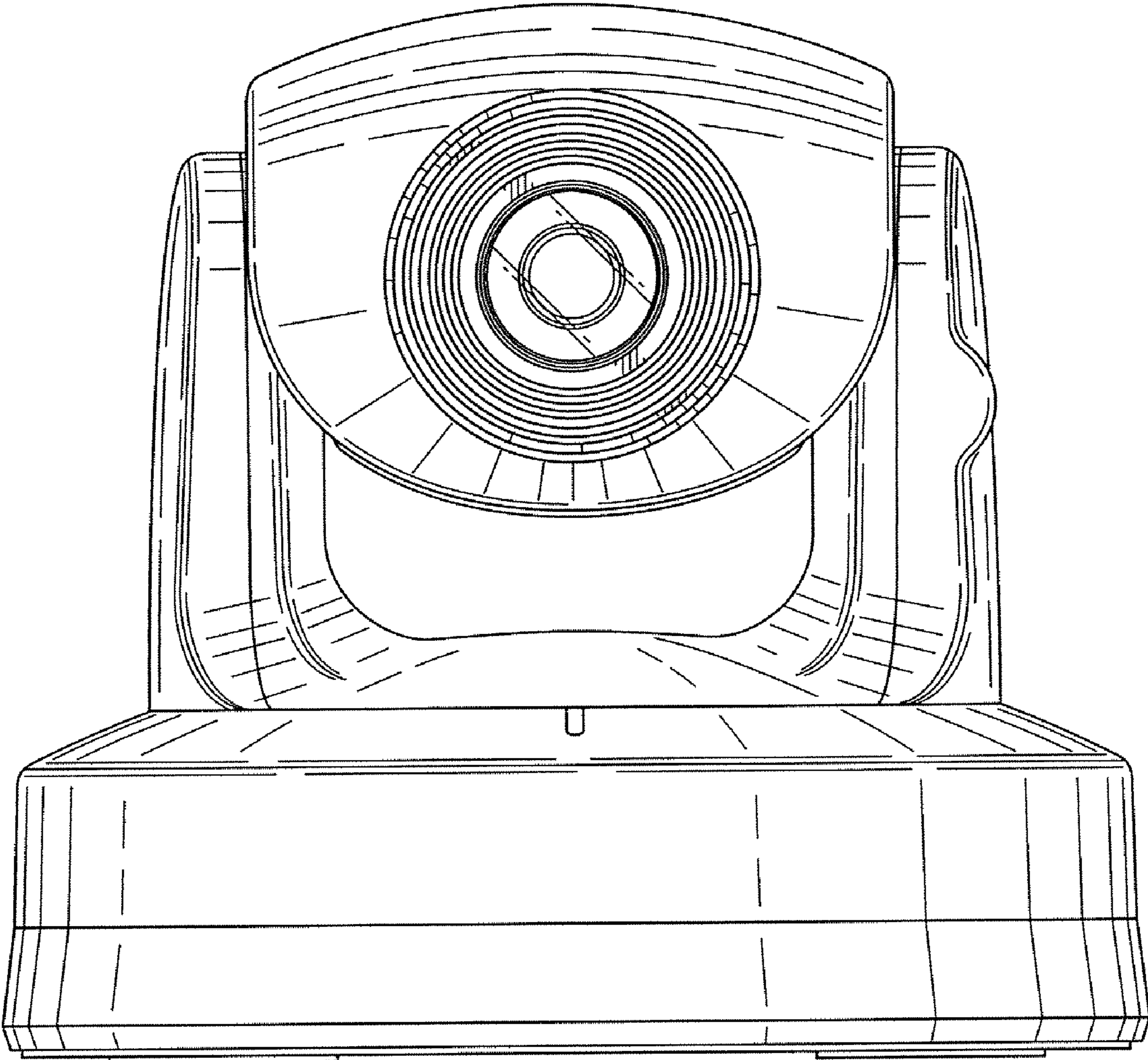


FIG. 1

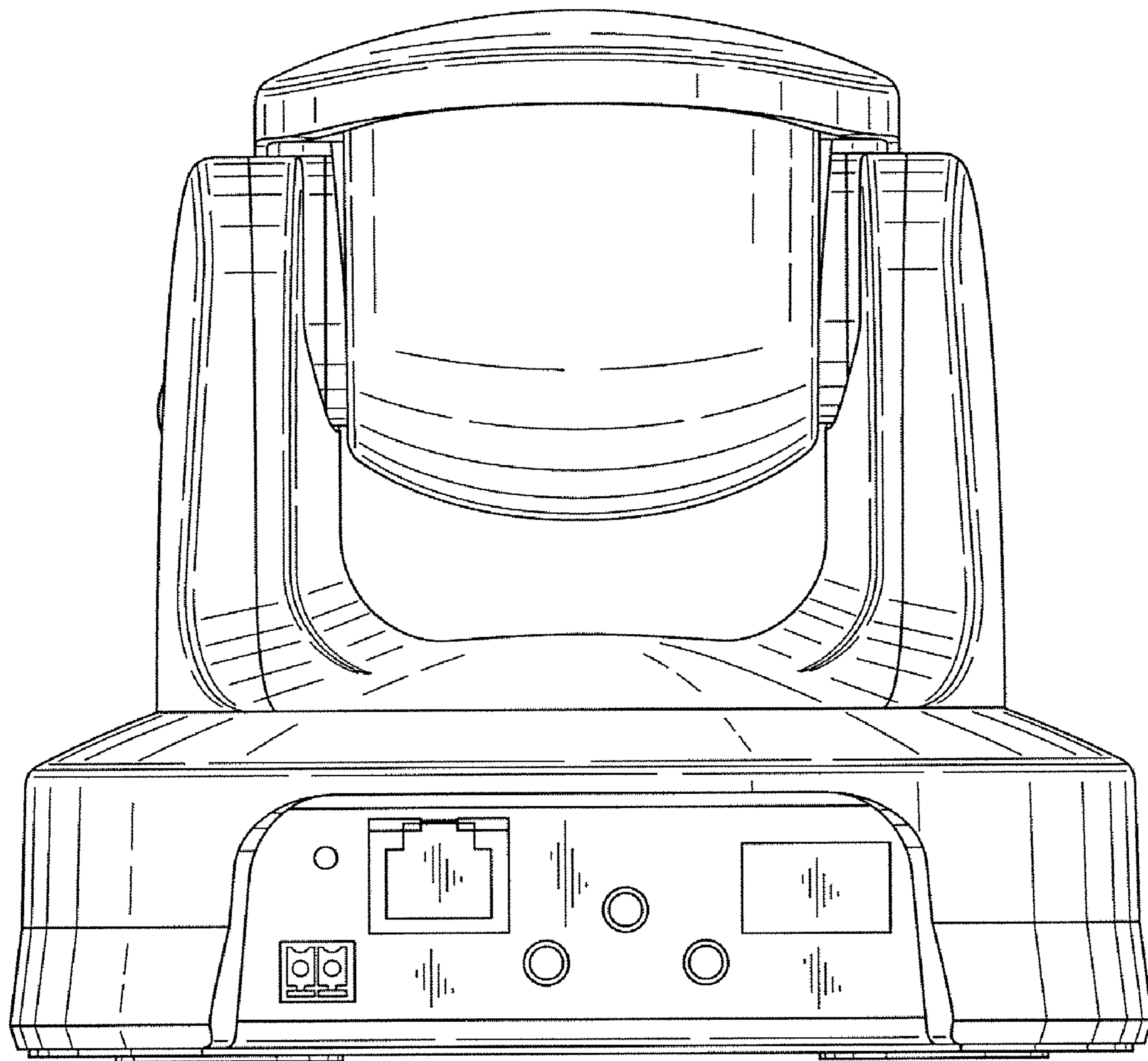


FIG. 2

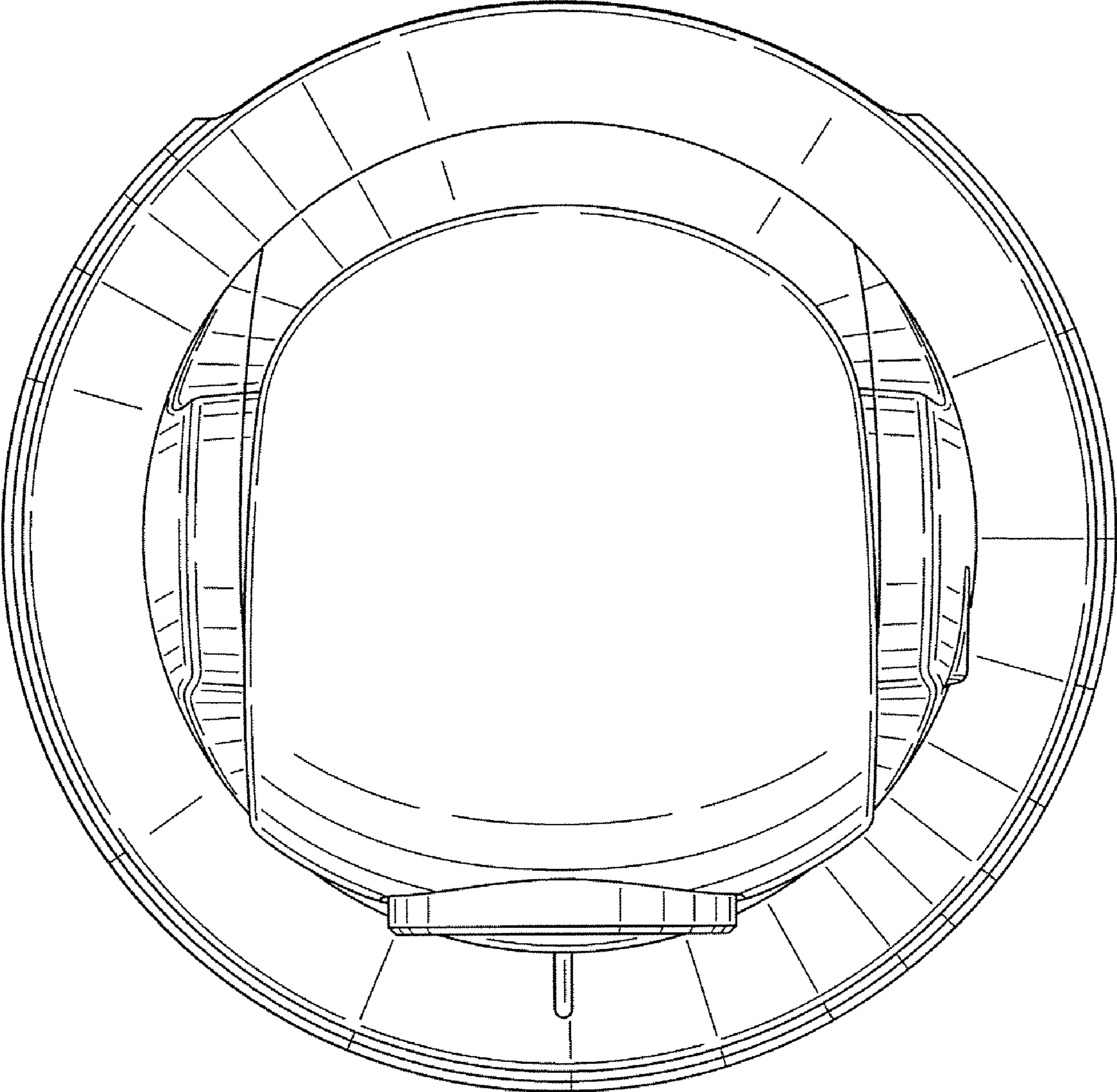


FIG. 3

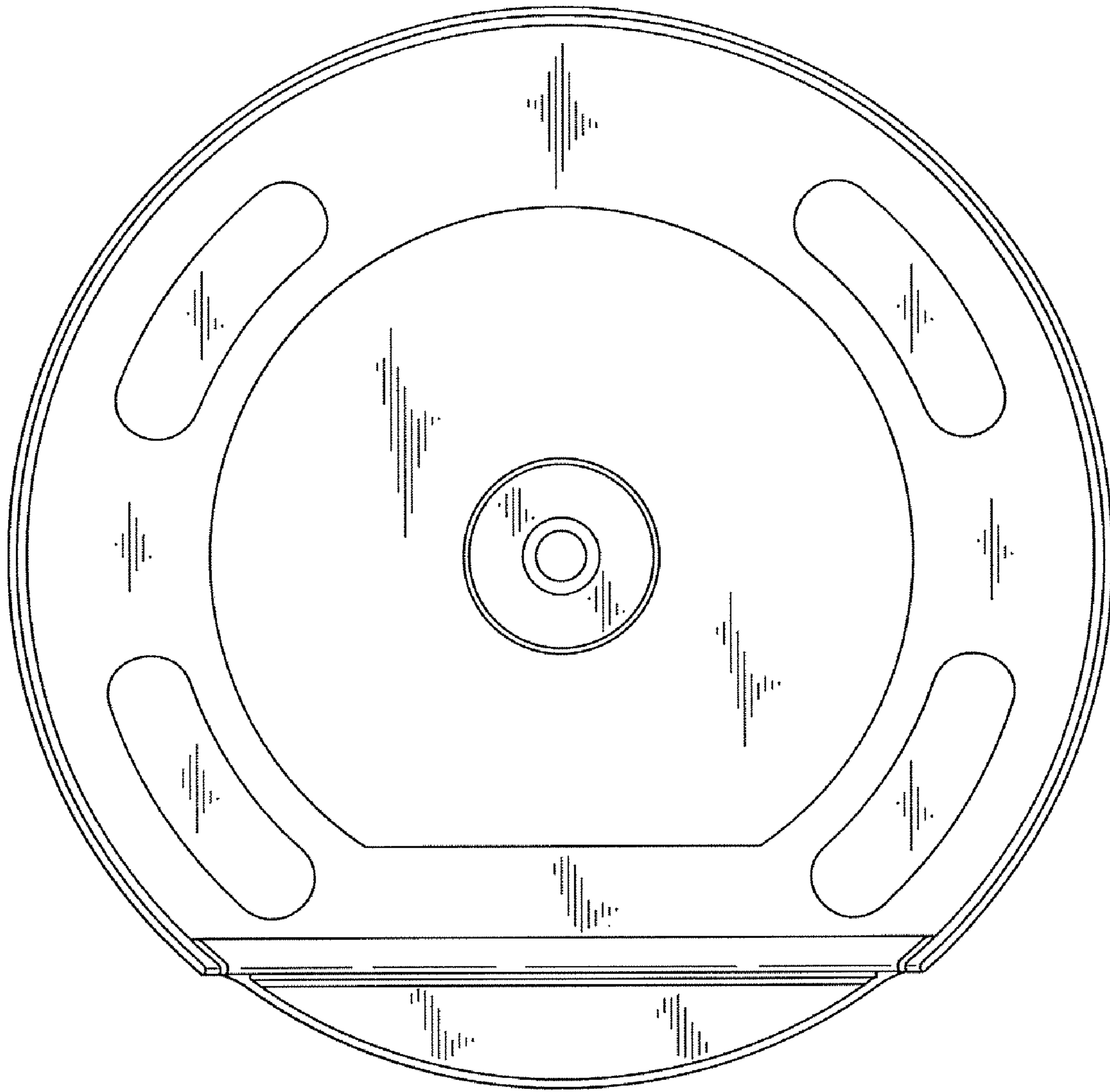


FIG. 4

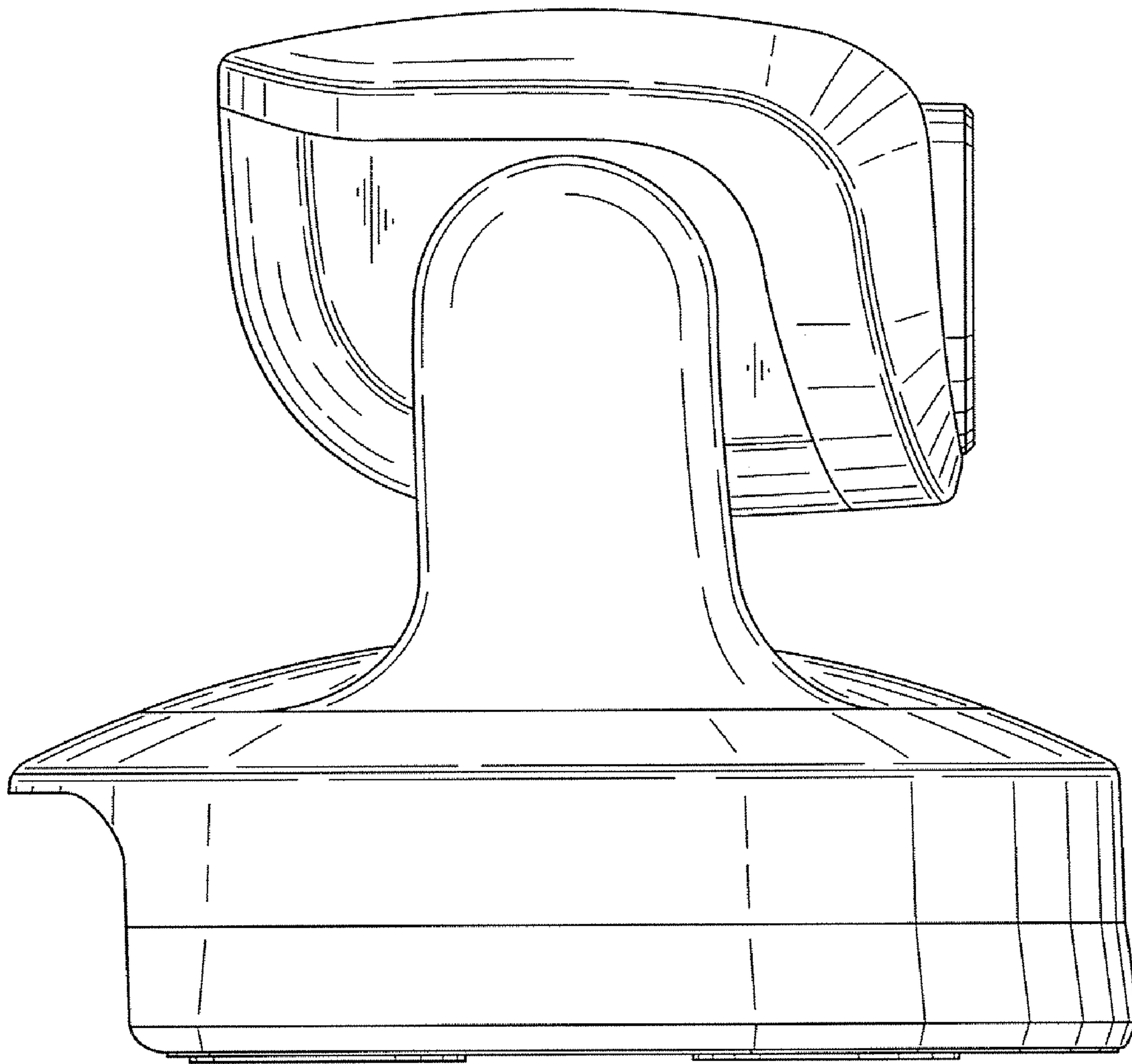


FIG. 5

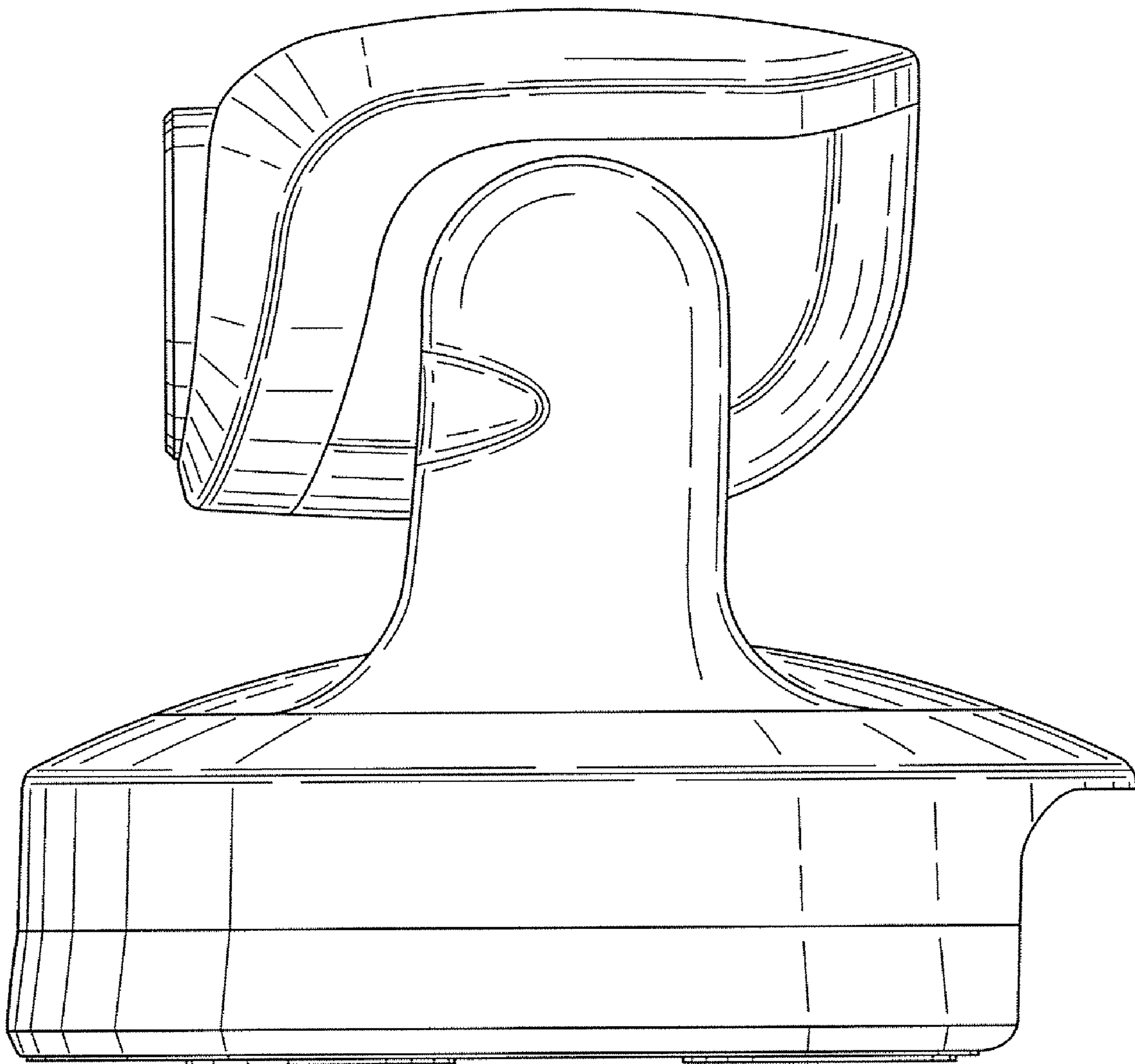


FIG. 6

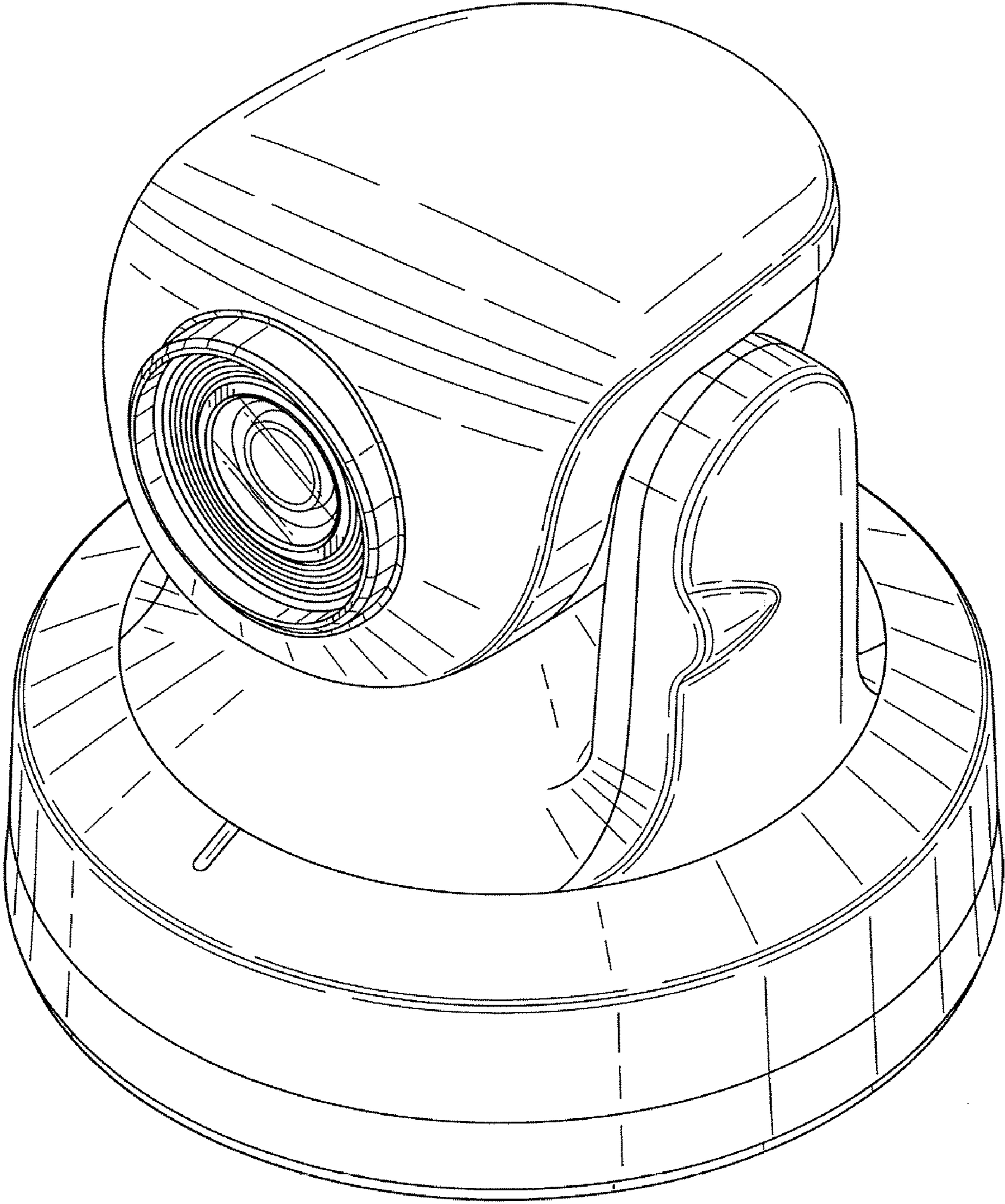


FIG. 7