



US00D562867S

(12) **United States Design Patent**
Inaba

(10) **Patent No.:** **US D562,867 S**

(45) **Date of Patent:** **** Feb. 26, 2008**

(54) **DIGITAL CAMERA**

(75) Inventor: **Toshiya Inaba**, Tokyo (JP)

(73) Assignee: **PENTAX Corporation**, Tokyo (JP)

(**) Term: **14 Years**

(21) Appl. No.: **29/271,340**

(22) Filed: **Jan. 17, 2007**

(30) **Foreign Application Priority Data**

Jul. 19, 2006 (JP) 2006-018907

(51) **LOC (8) Cl.** **16-01**

(52) **U.S. Cl.** **D16/202**

(58) **Field of Classification Search** D16/200-204,
D16/208, 218; 348/373-376; 358/909.1;
396/6, 535, 536-541

See application file for complete search history.

(56) **References Cited**

U.S. PATENT DOCUMENTS

D430,186 S * 8/2000 Suzuki et al. D16/218
D516,599 S * 3/2006 Nakamura D16/202
D524,345 S * 7/2006 Hayamizu D16/202
D533,574 S * 12/2006 Hamamura D16/202

D534,564 S * 1/2007 Tainaka D16/202
D551,274 S * 9/2007 Onawa D16/202
2005/0057685 A1 * 3/2005 Yamaguchi 348/375

* cited by examiner

Primary Examiner—Adir Aronovich

(74) *Attorney, Agent, or Firm*—Sughrue Mion, PLLC

(57) **CLAIM**

The ornamental design for a digital camera, as shown and described.

DESCRIPTION

FIG. 1 is a perspective view of the top, front and right side of a digital camera showing my new design;

FIG. 2 is a top plan view thereof;

FIG. 3 is a front elevational view thereof;

FIG. 4 is a rear elevational view thereof;

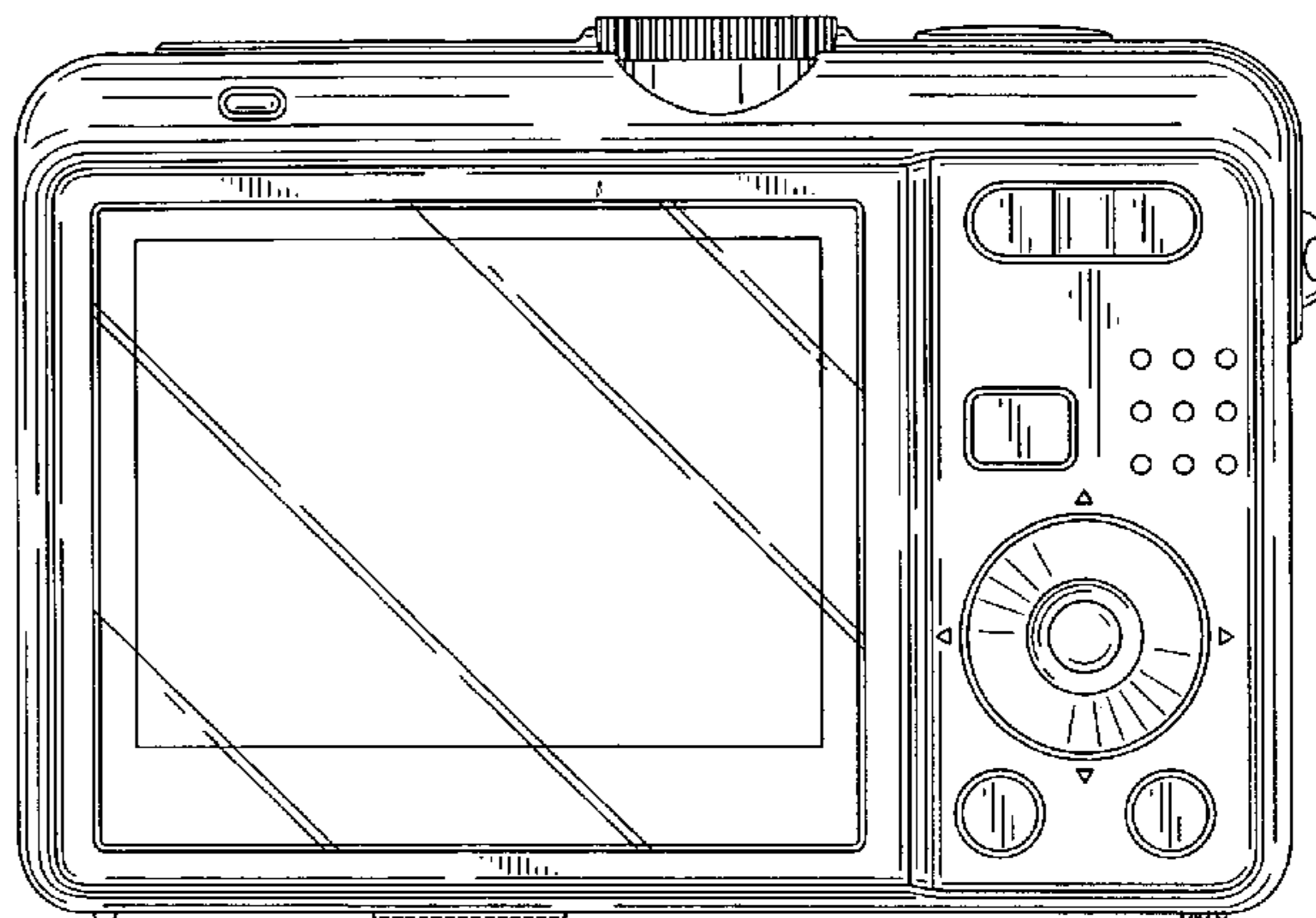
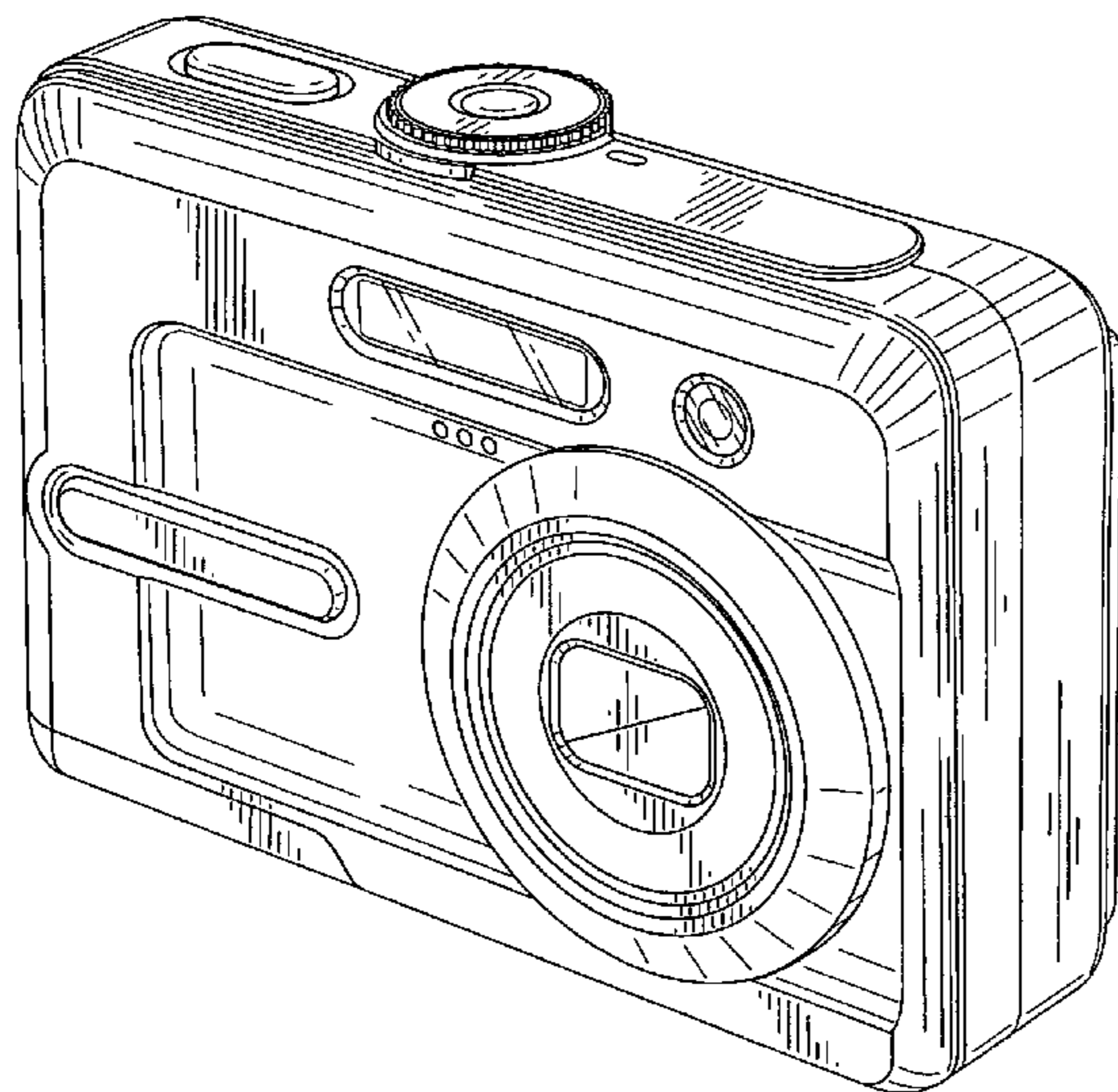
FIG. 5 is a bottom plan view thereof;

FIG. 6 is a left side elevational view thereof; and,

FIG. 7 is a right side elevational view thereof.

The portions shown in broken lines are for illustrative purposes only and form no part of the claimed design.

1 Claim, 4 Drawing Sheets



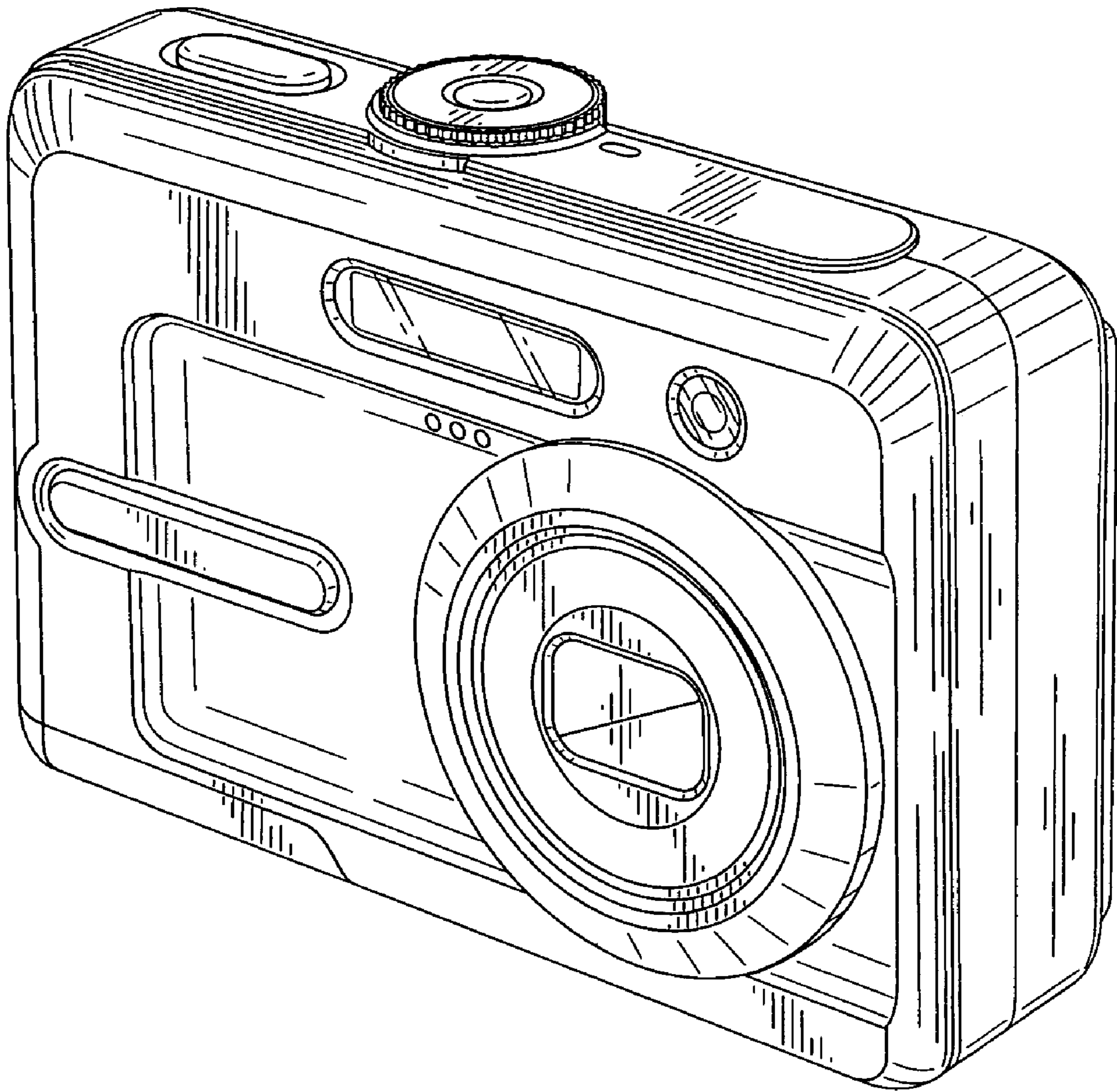


FIG. 1

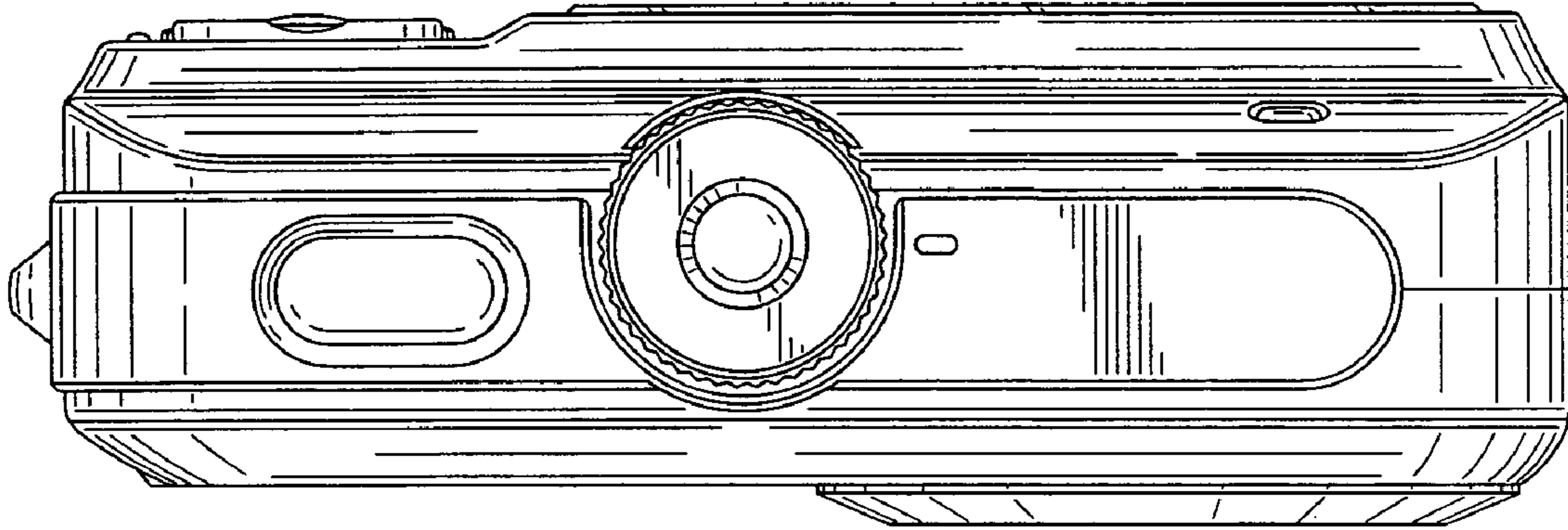


FIG. 2

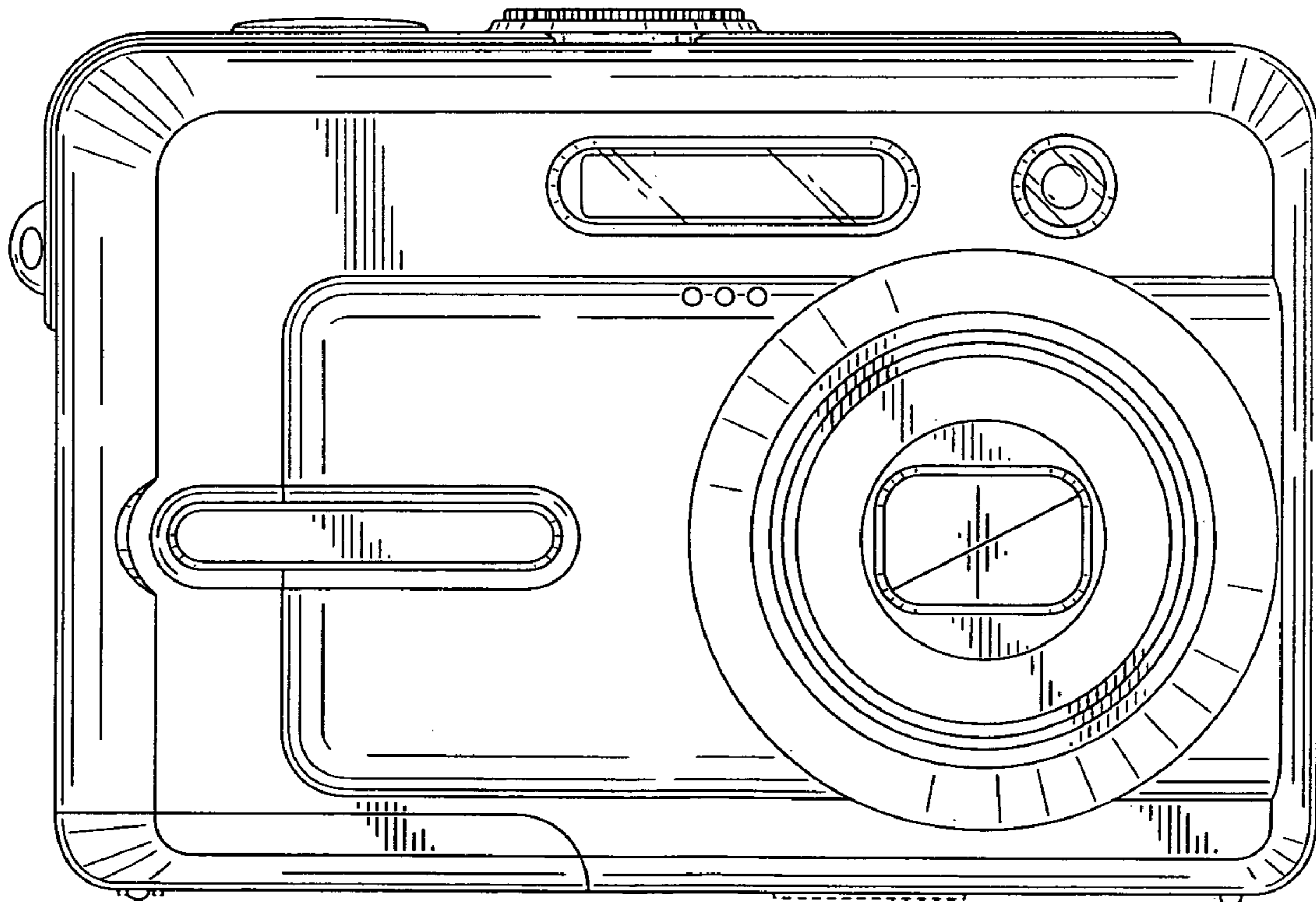


FIG. 3

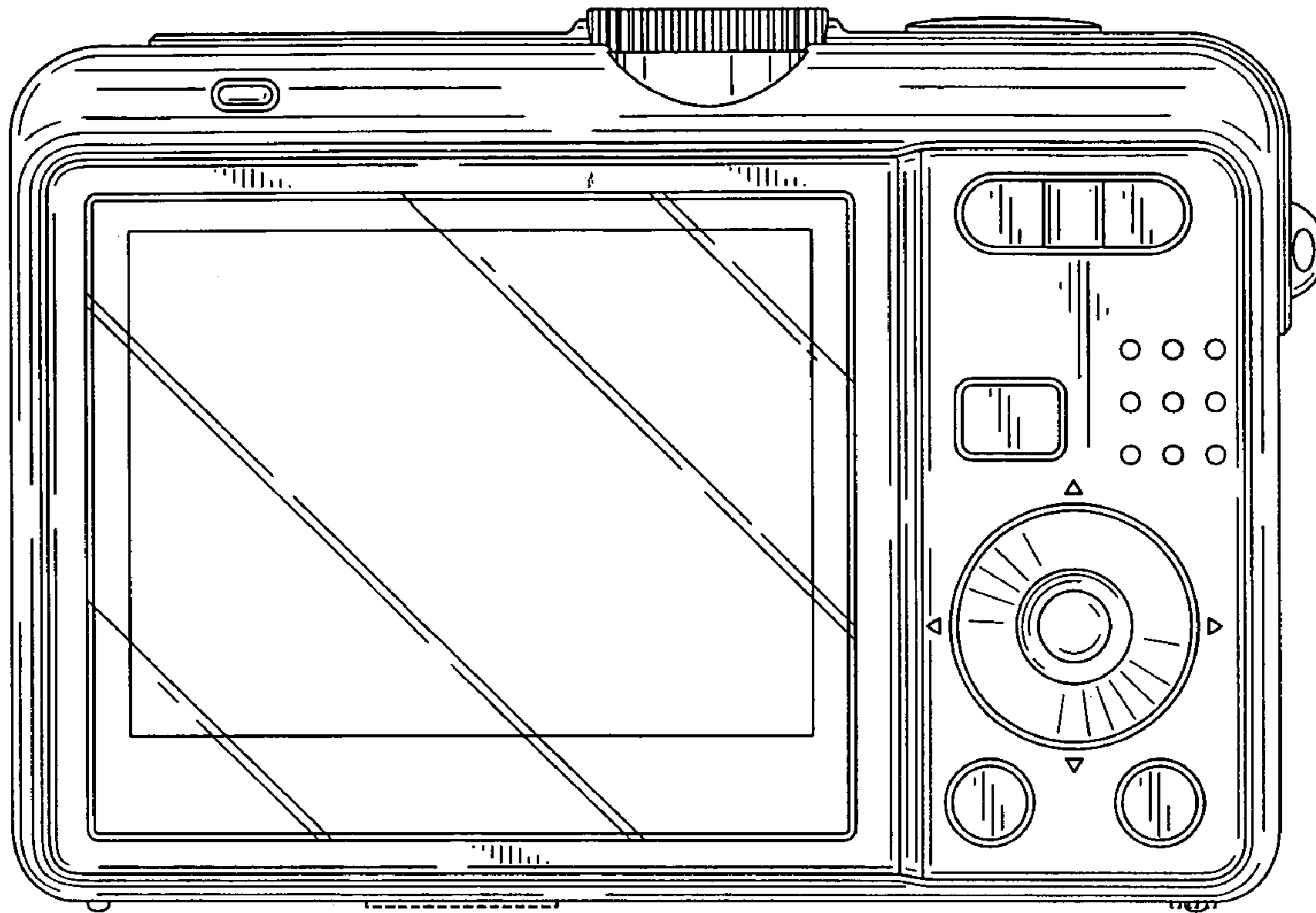


FIG. 4

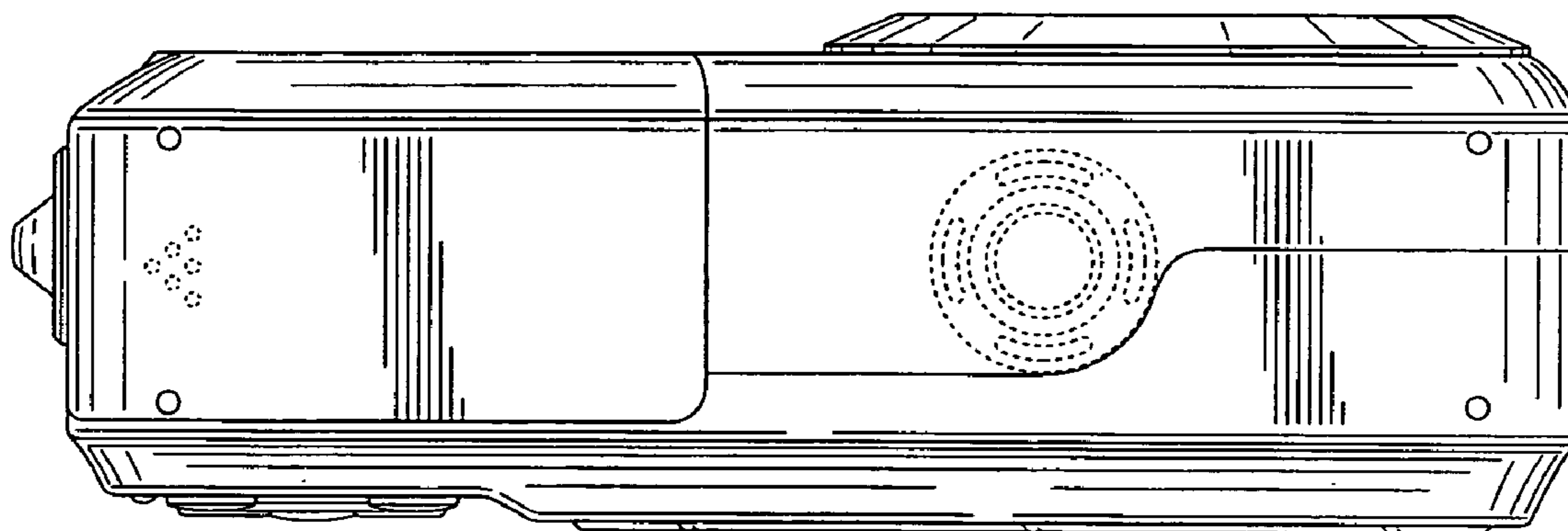


FIG. 5

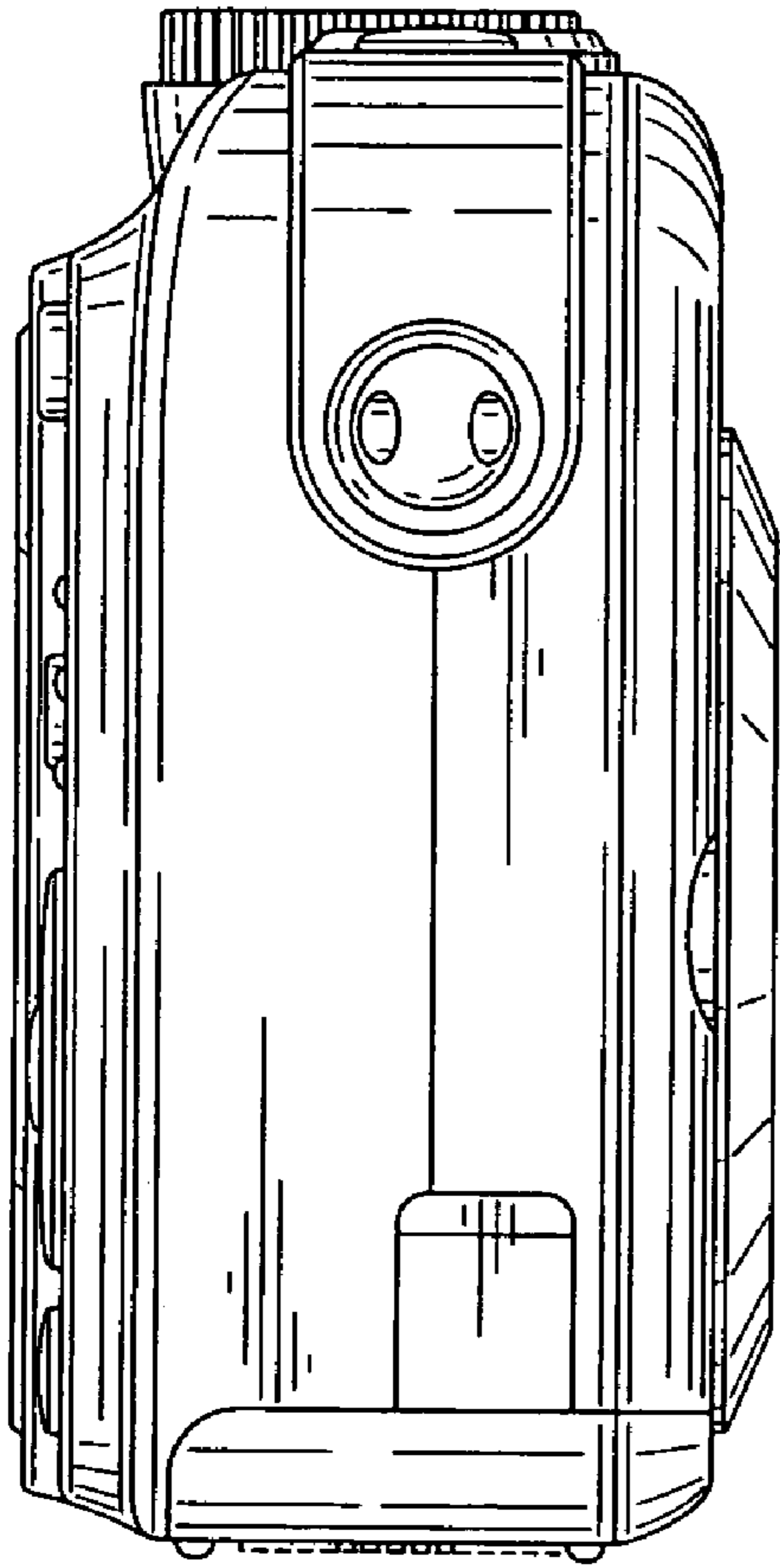


FIG. 6

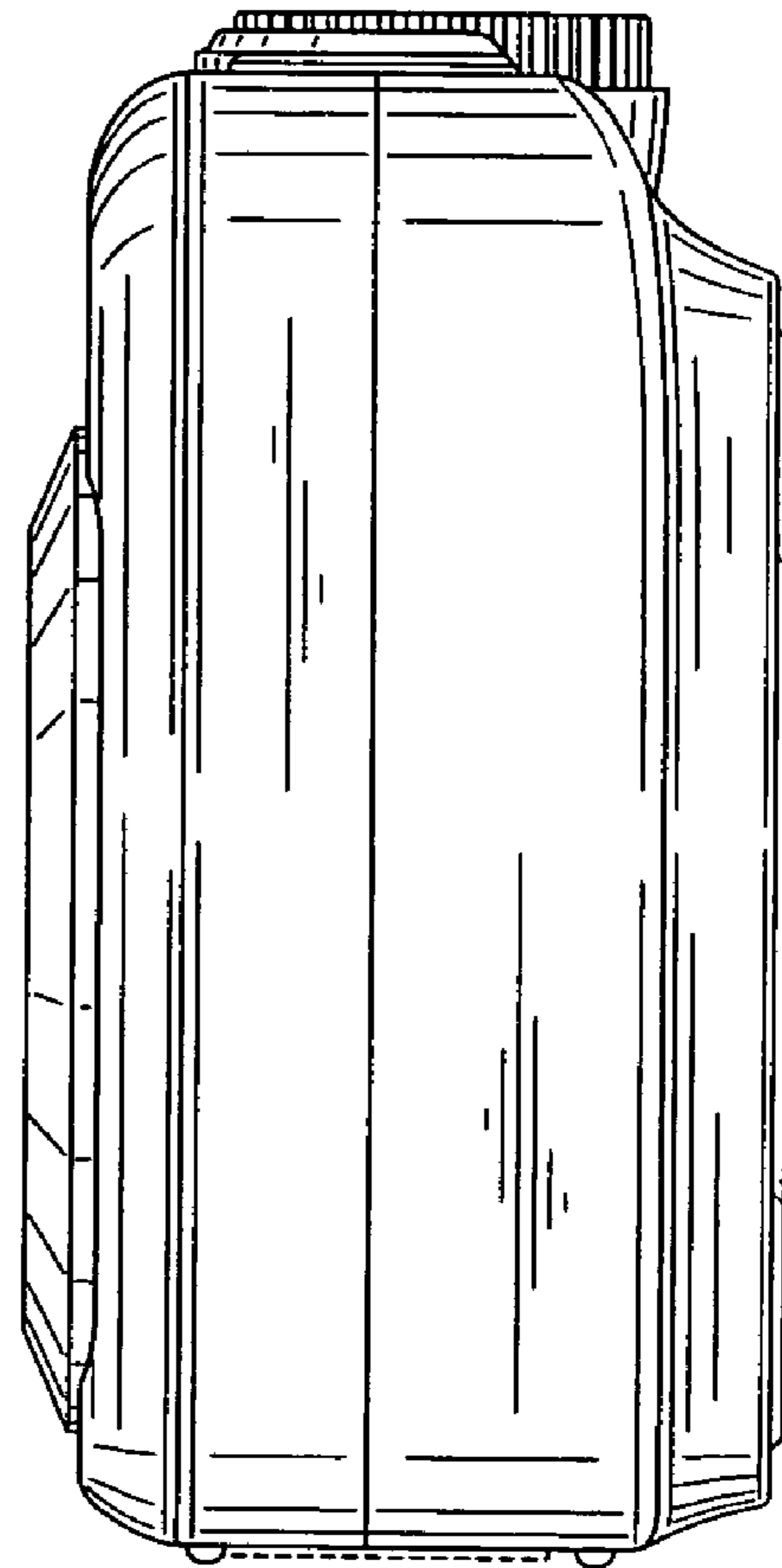


FIG. 7