



US00D562865S

(12) **United States Design Patent**  
**Yasutomi**

(10) **Patent No.:** **US D562,865 S**

(45) **Date of Patent:** **\*\* Feb. 26, 2008**

(54) **CAMERA LENS**

(75) Inventor: **Hiroshi Yasutomi**, Tokyo (JP)

(73) Assignee: **Sony Corporation**, Tokyo (JP)

(\*\*) Term: **14 Years**

(21) Appl. No.: **29/267,847**

(22) Filed: **Oct. 24, 2006**

(30) **Foreign Application Priority Data**

May 24, 2006 (JP) ..... D2006-013092

(51) **LOC (8) Cl.** ..... **16-06**

(52) **U.S. Cl.** ..... **D16/134; D16/219**

(58) **Field of Classification Search** ..... D16/134,  
D16/136, 200, 202, 203, 204, 219; 348/373-376;  
358/909.1; 359/811, 815, 819, 826, 827,  
359/828; 396/529-532, 535, 540, 541, 544  
See application file for complete search history.

(56) **References Cited**

**U.S. PATENT DOCUMENTS**

D248,766 S	*	8/1978	Arai	.....	D16/134
D251,669 S	*	4/1979	Ueda et al.	.....	D16/134
D302,169 S		7/1989	Kimura et al.		
D302,984 S		8/1989	Kimura et al.		
D303,976 S	*	10/1989	Kimura et al.	.....	D16/134

5,060,005 A	*	10/1991	Itoh et al.	.....	396/532
D341,611 S	*	11/1993	Takahashi	.....	D16/219
5,305,036 A	*	4/1994	Tanaka	.....	396/529
D375,969 S	*	11/1996	Watanabe	.....	D16/134
5,732,303 A	*	3/1998	Choi	.....	396/532
D425,088 S	*	5/2000	Watanabe	.....	D16/219
D428,428 S	*	7/2000	Ono	.....	D16/134
D500,068 S		12/2004	Hayashi		

\* cited by examiner

*Primary Examiner*—Adir Aronovich

(74) *Attorney, Agent, or Firm*—Rader, Fishman & Grauer, PLLC

(57) **CLAIM**

The ornamental design for a camera lens, as shown.

**DESCRIPTION**

FIG. 1 is a perspective view of a camera lens showing my new design;

FIG. 2 is a front elevational view thereof;

FIG. 3 is a rear elevational view thereof;

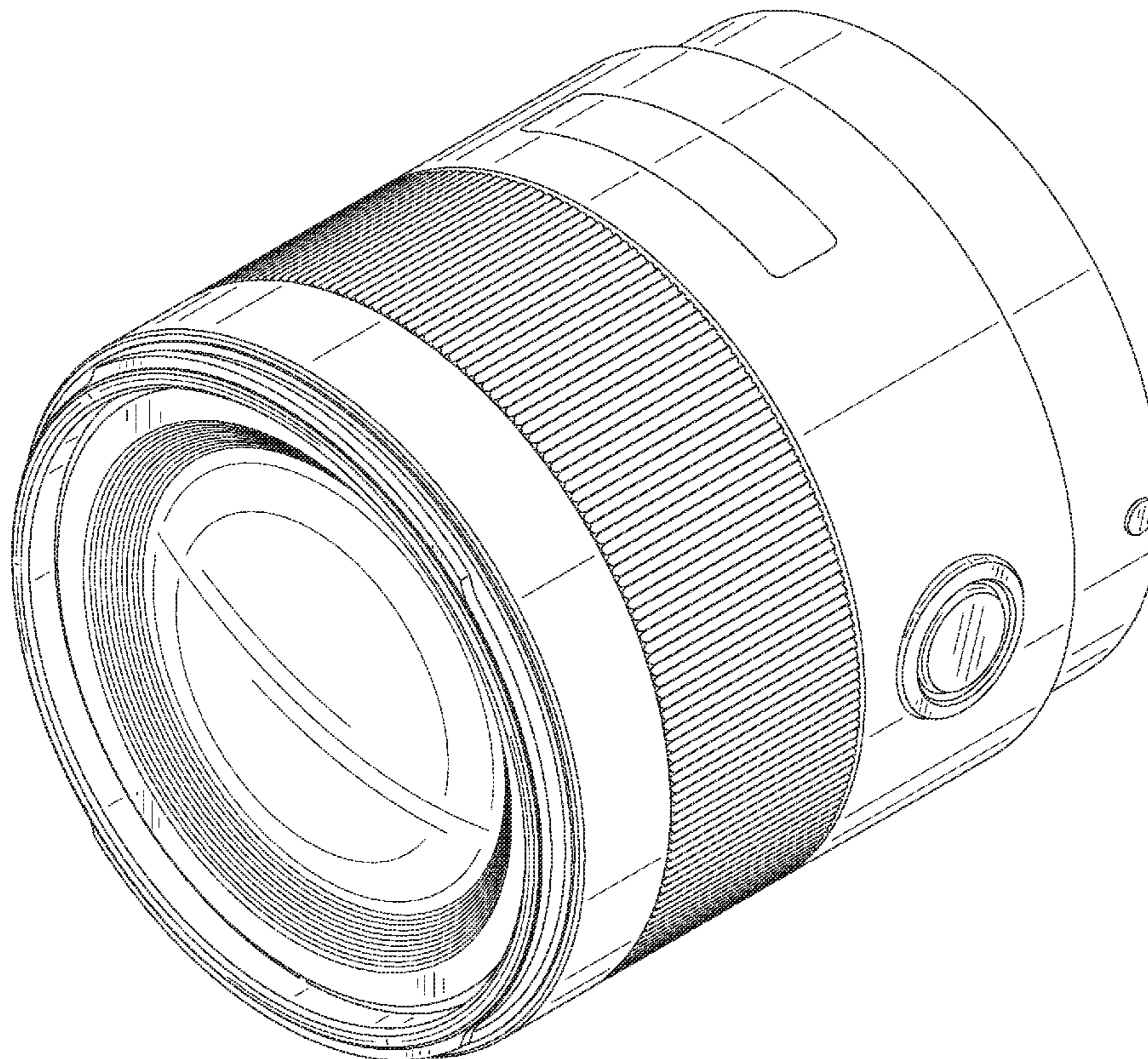
FIG. 4 is a left side elevational view thereof;

FIG. 5 is a right side elevational view thereof;

FIG. 6 is a top plan view thereof; and,

FIG. 7 is a bottom plan view thereof.

**1 Claim, 7 Drawing Sheets**



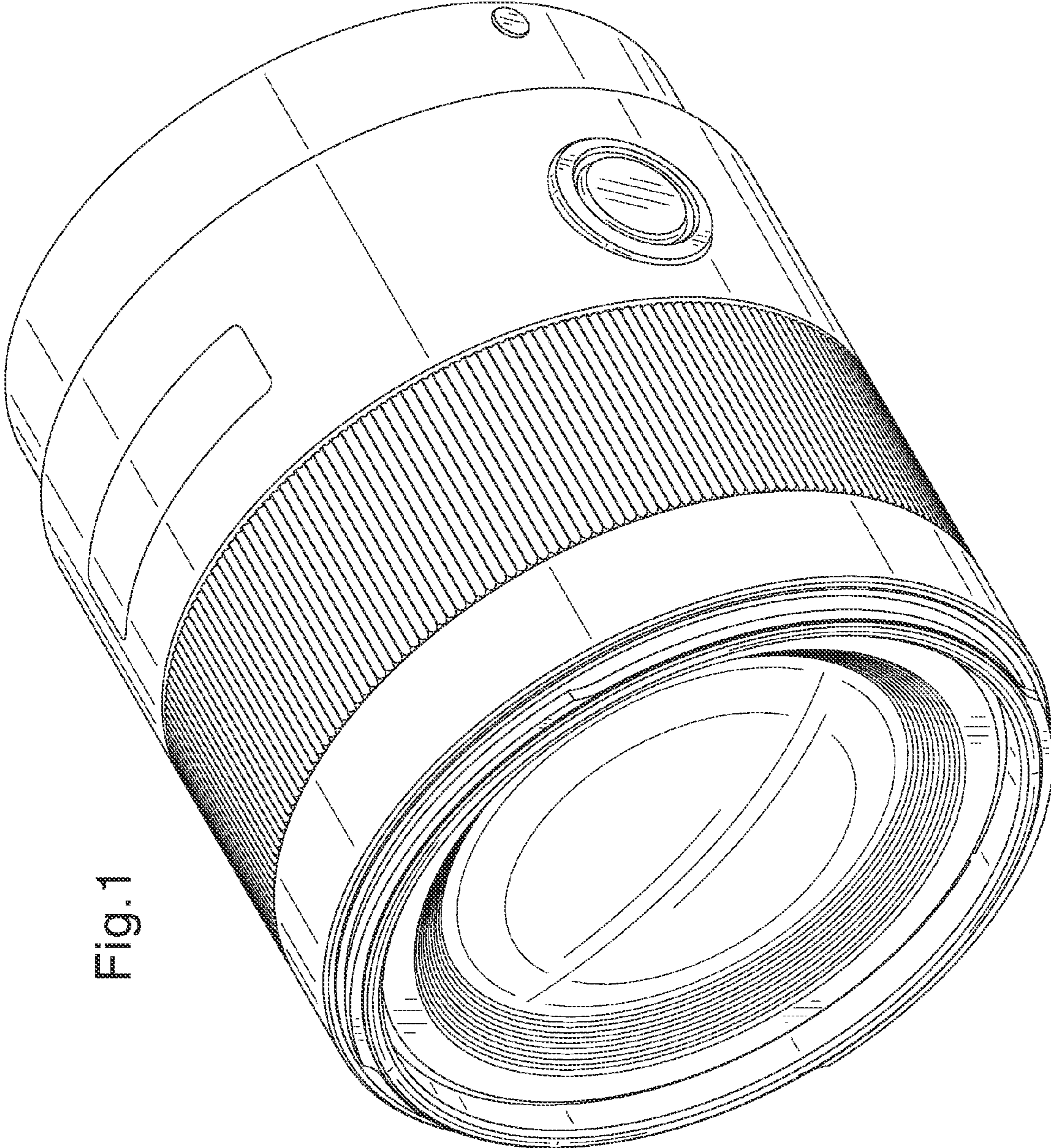


Fig.1



Fig. 2

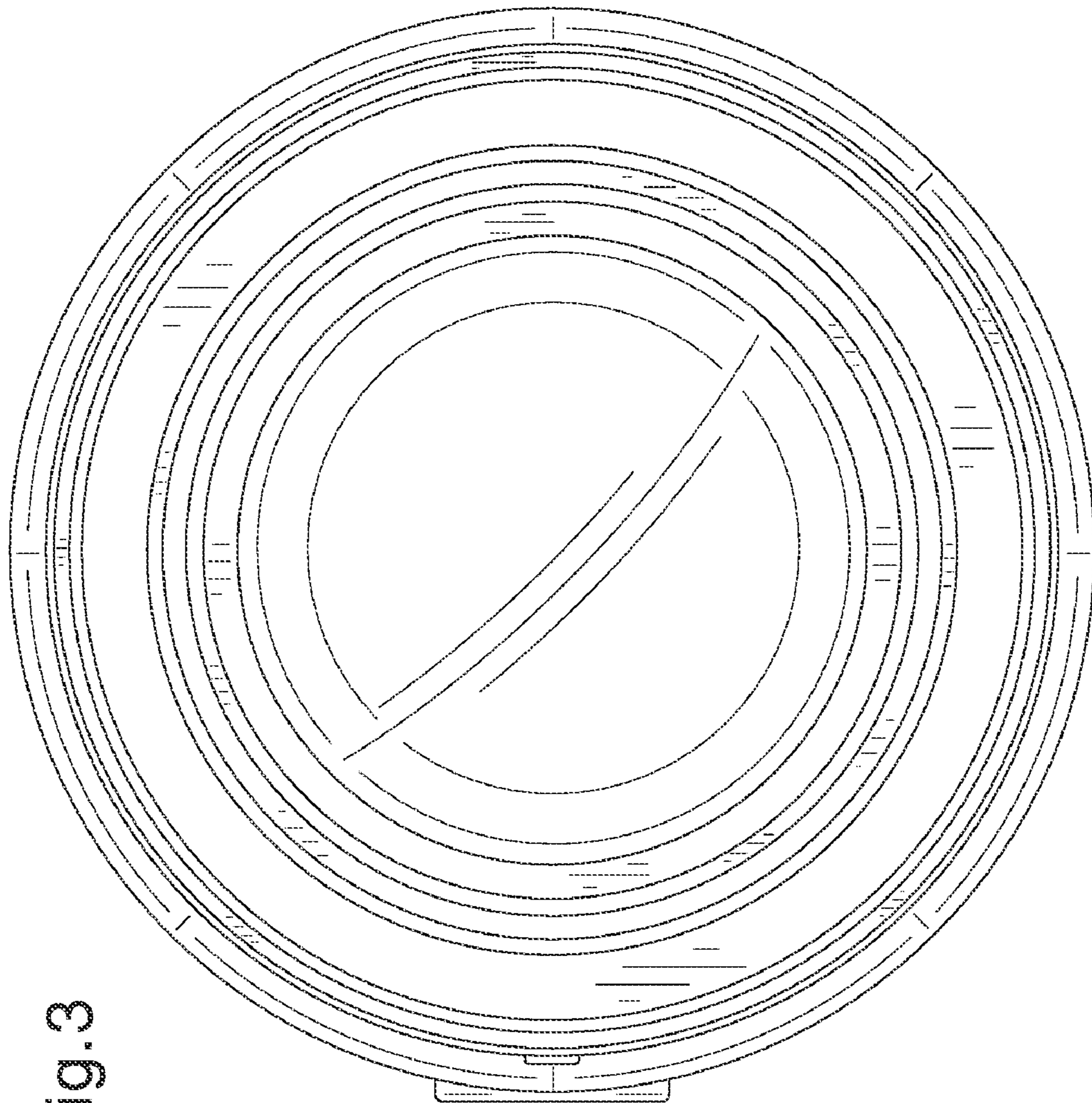


Fig. 3

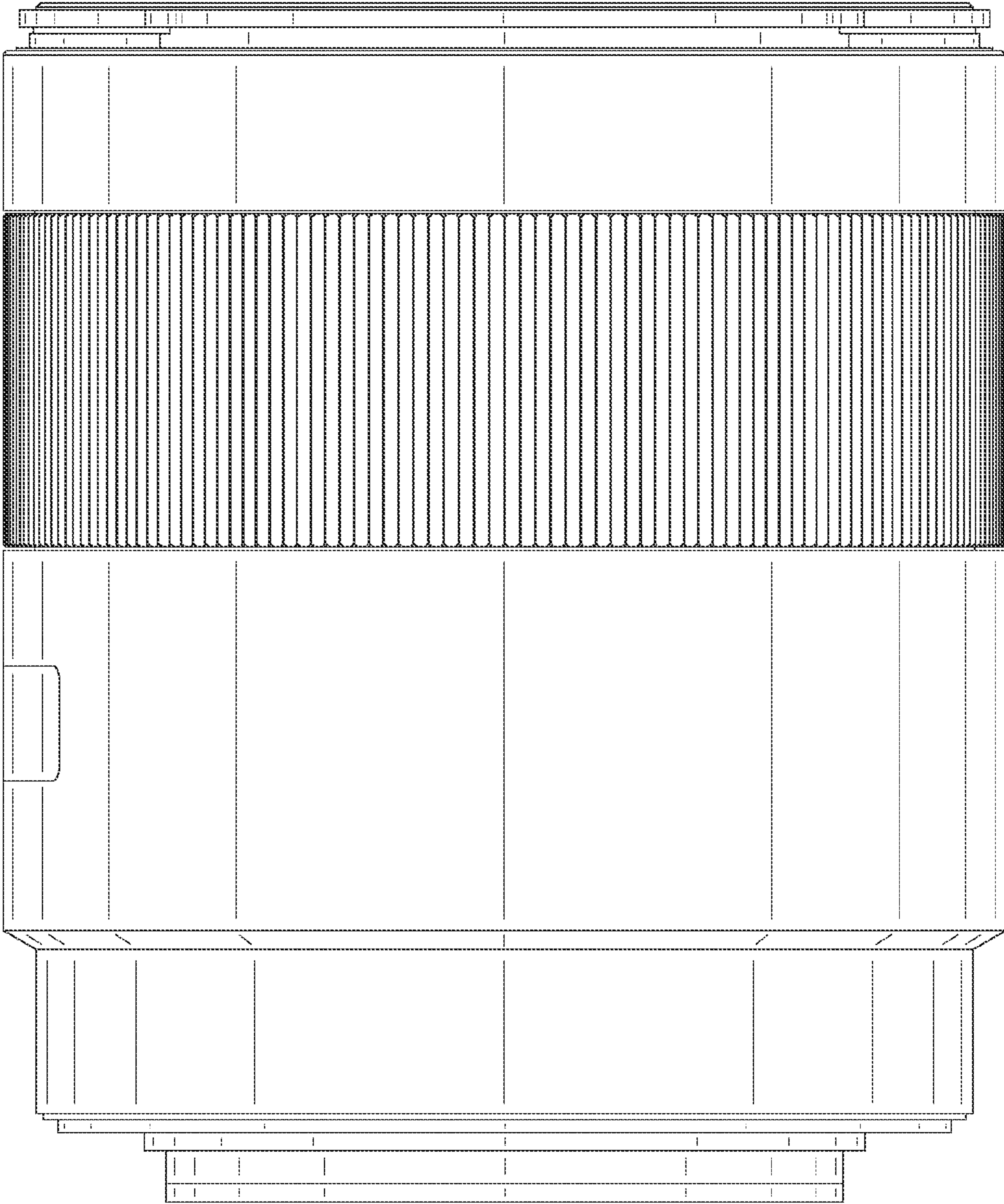


Fig. 4

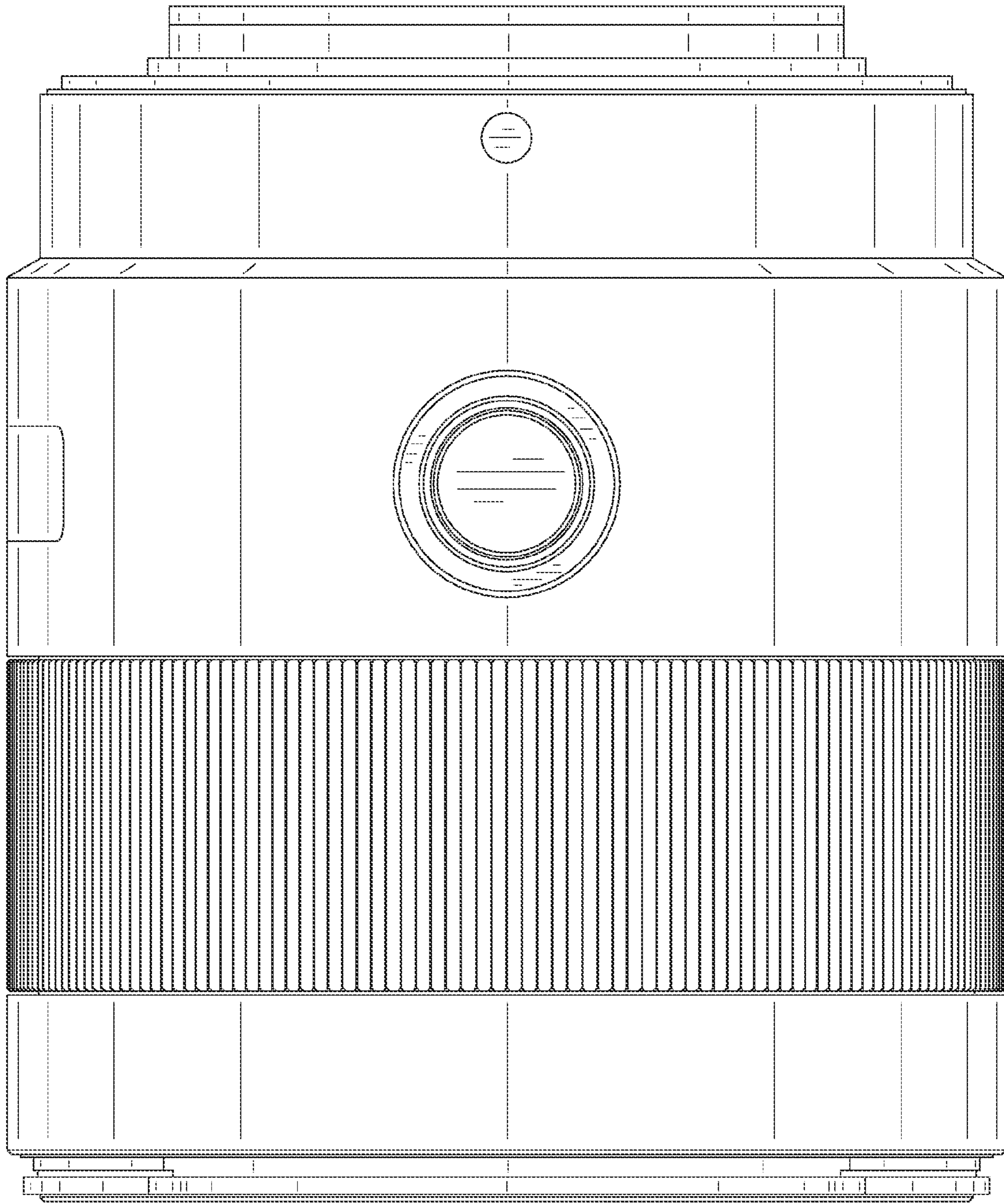


Fig.5

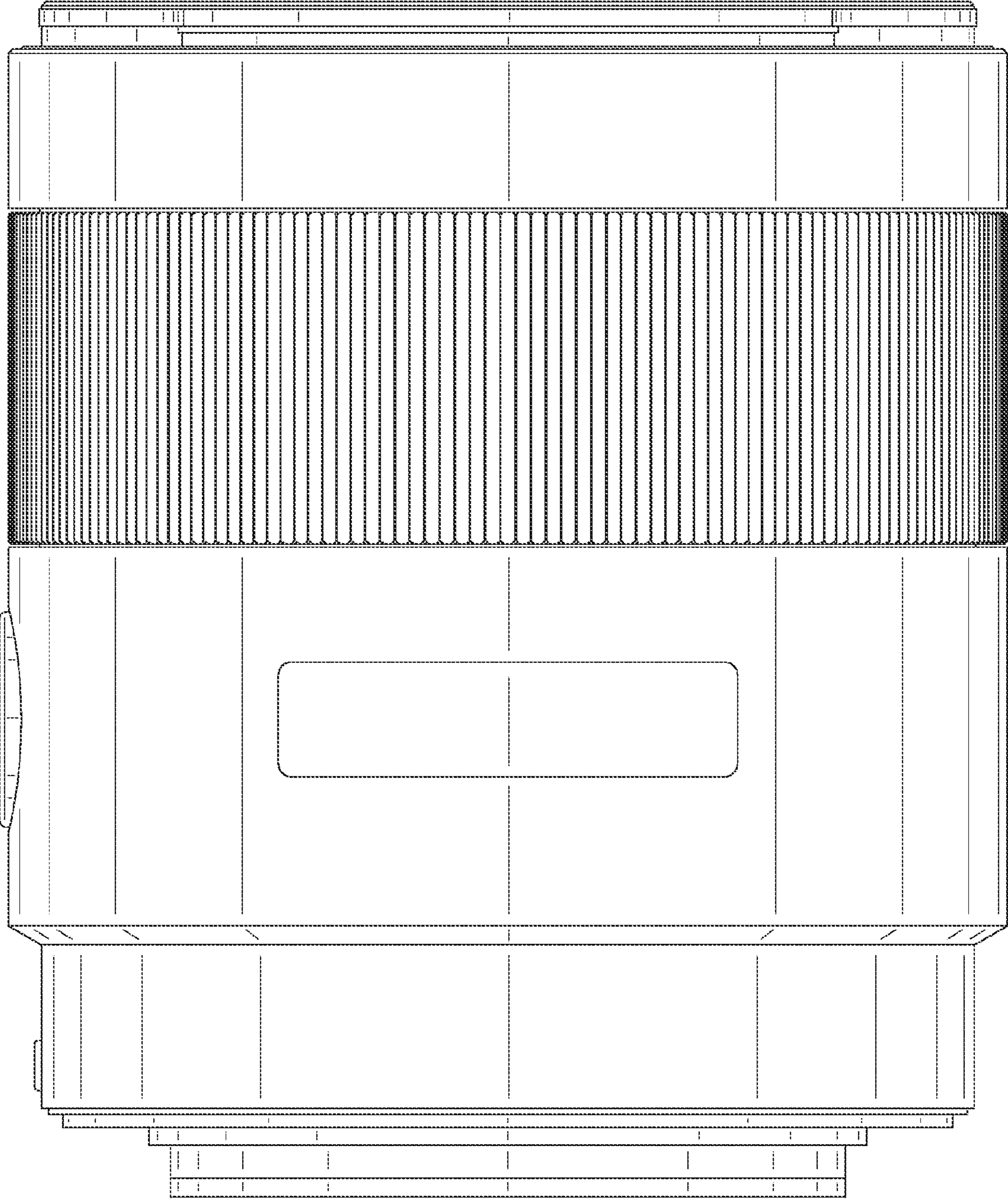


Fig. 6

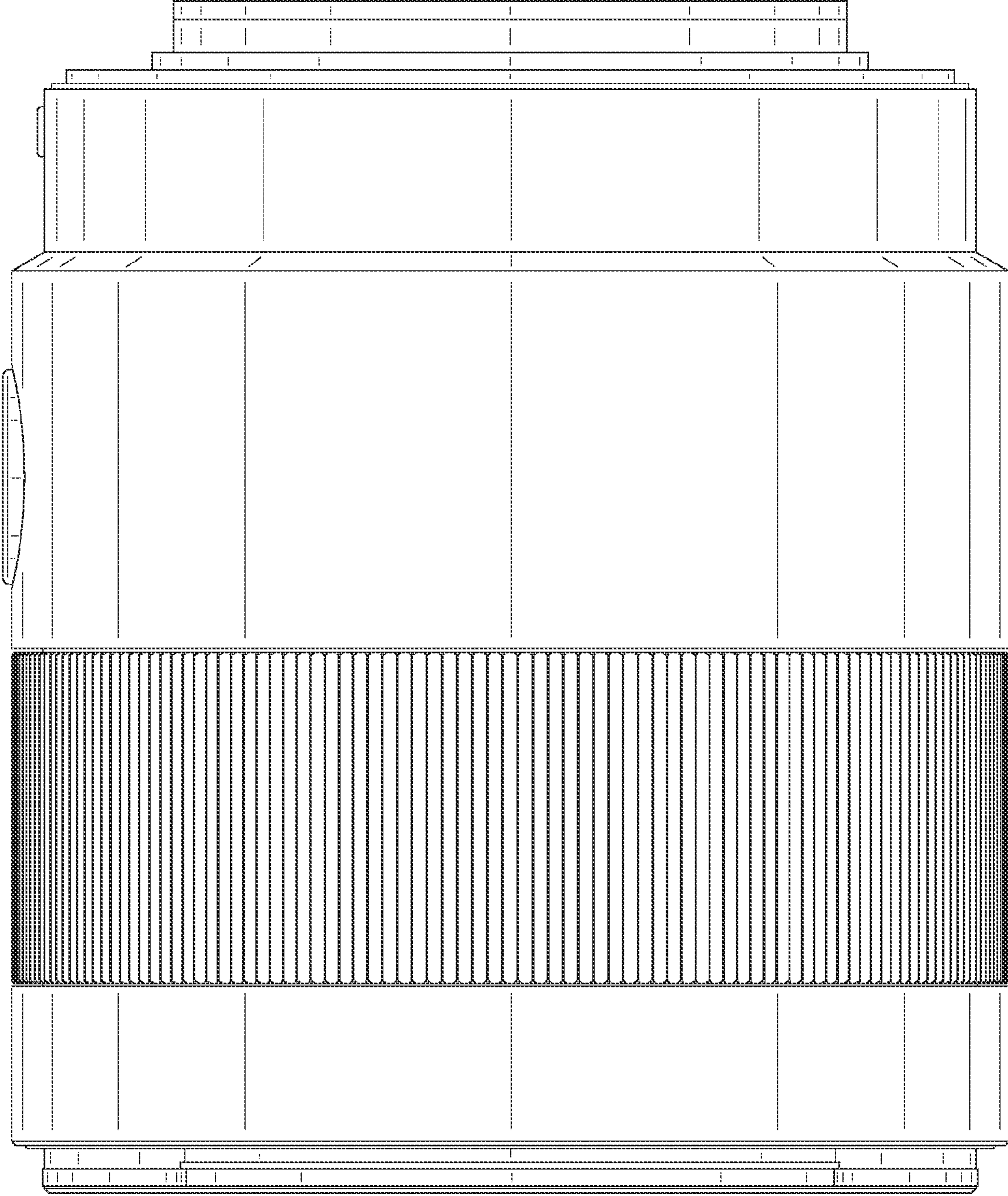


Fig. 7