



US00D562864S

(12) **United States Design Patent**  
**Yasutomi**

(10) **Patent No.:** **US D562,864 S**

(45) **Date of Patent:** **\*\* Feb. 26, 2008**

(54) **CAMERA LENS**

(75) Inventor: **Hiroshi Yasutomi**, Tokyo (JP)

(73) Assignee: **Sony Corporation**, Tokyo (JP)

(\*\*) Term: **14 Years**

(21) Appl. No.: **29/267,846**

(22) Filed: **Oct. 24, 2006**

(30) **Foreign Application Priority Data**

May 24, 2006 (JP) ..... 2006-013093

(51) **LOC (8) Cl.** ..... **16-06**

(52) **U.S. Cl.** ..... **D16/134; D16/219**

(58) **Field of Classification Search** ..... D16/134,  
D16/136, 200, 202, 203, 204, 219; 348/373-376;  
358/909.1; 359/811, 815, 819, 826, 827,  
359/828; 396/529-532, 535, 540, 541, 544  
See application file for complete search history.

(56) **References Cited**

**U.S. PATENT DOCUMENTS**

4,063,264 A \* 12/1977 Ando et al. .... 359/828  
D248,766 S \* 8/1978 Arai ..... D16/134  
4,508,443 A \* 4/1985 Matsuzaki et al. .... D16/3  
D302,169 S 7/1989 Kimura et al.  
D302,984 S 8/1989 Kimura et al.  
D303,976 S \* 10/1989 Kimura et al. .... D16/134

5,060,005 A \* 10/1991 Itoh et al. .... 396/532  
D341,611 S \* 11/1993 Takahashi ..... D16/134  
5,305,036 A \* 4/1994 Tanaka ..... 396/529  
D362,007 S \* 9/1995 Takahashi ..... D16/219  
D375,969 S \* 11/1996 Watanabe ..... D16/134  
D412,922 S \* 8/1999 Sekine ..... D16/219  
D425,088 S \* 5/2000 Watanabe ..... D16/134  
D433,044 S \* 10/2000 Nagaoka et al. .... D16/134  
D500,068 S 12/2004 Hayashi

\* cited by examiner

*Primary Examiner*—Adir Aronovich

(74) *Attorney, Agent, or Firm*—Rader, Fishman & Grauer, PLLC

(57) **CLAIM**

The ornamental design for a camera lens, as shown.

**DESCRIPTION**

FIG. 1 is a perspective view of a camera lens showing my new design;

FIG. 2 is a front elevational view thereof;

FIG. 3 is a rear elevational view thereof;

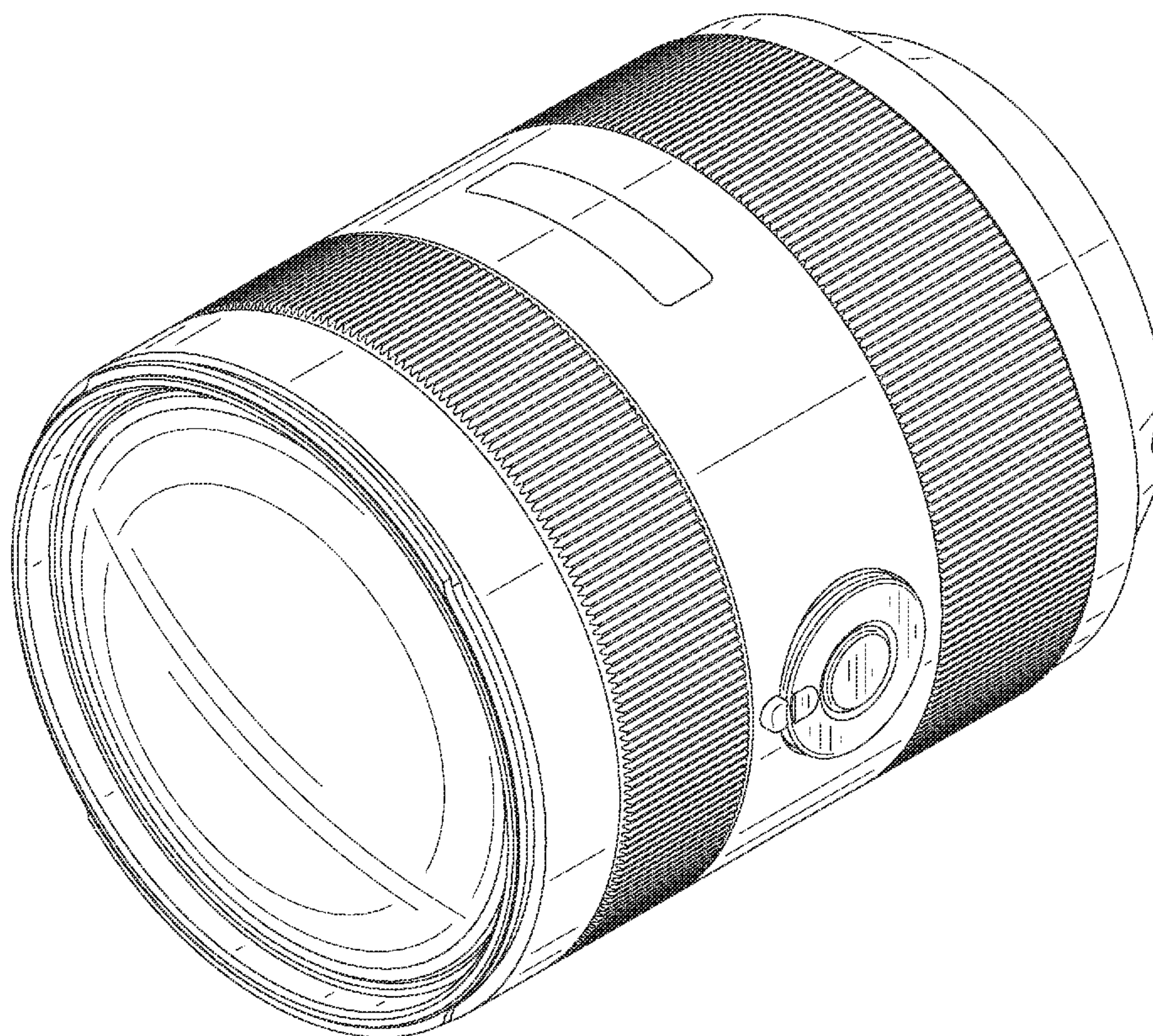
FIG. 4 is a left side elevational view thereof;

FIG. 5 is a right side elevational view thereof;

FIG. 6 is a top plan view thereof; and,

FIG. 7 is a bottom plan view thereof.

**1 Claim, 7 Drawing Sheets**





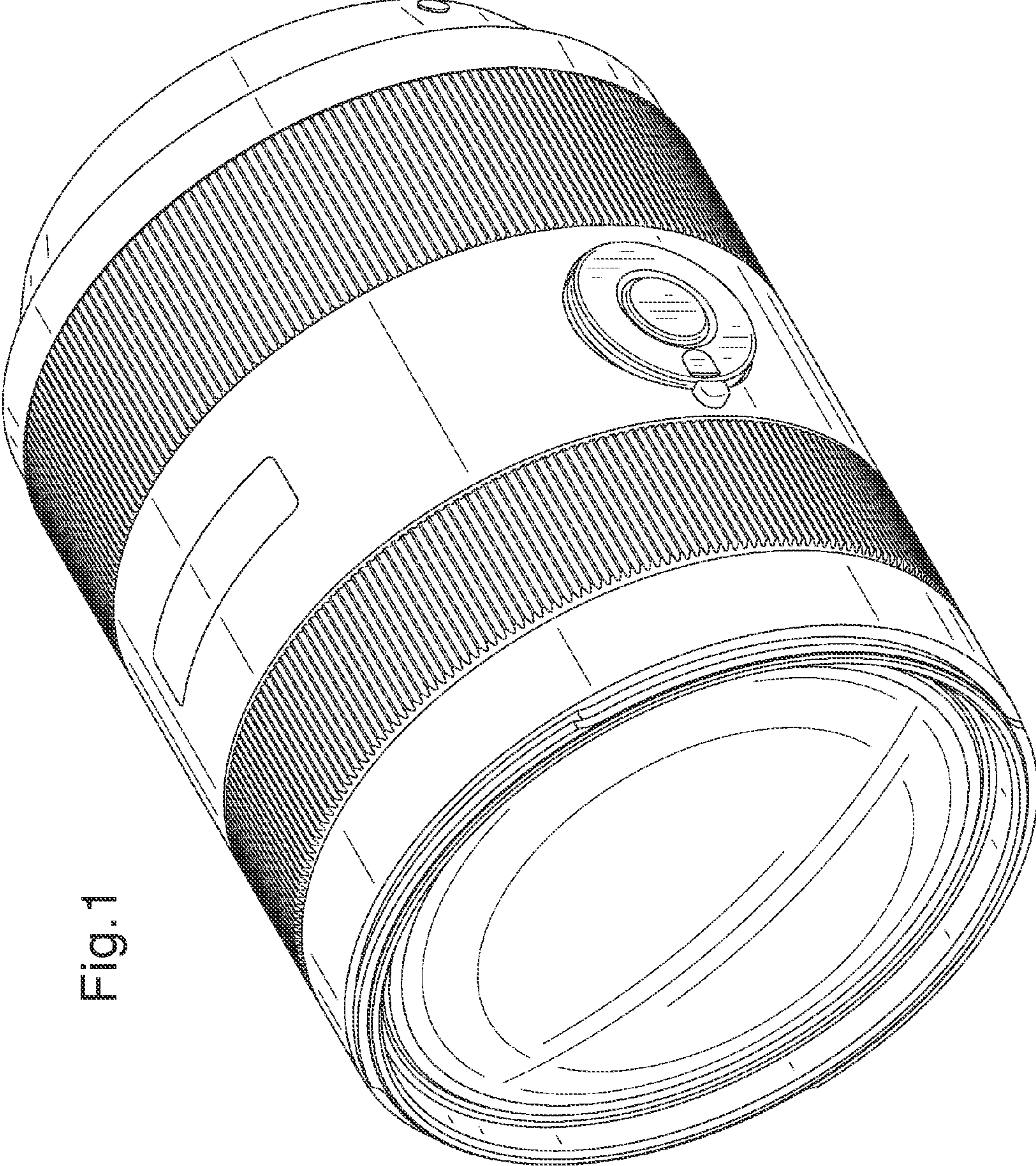


Fig.1



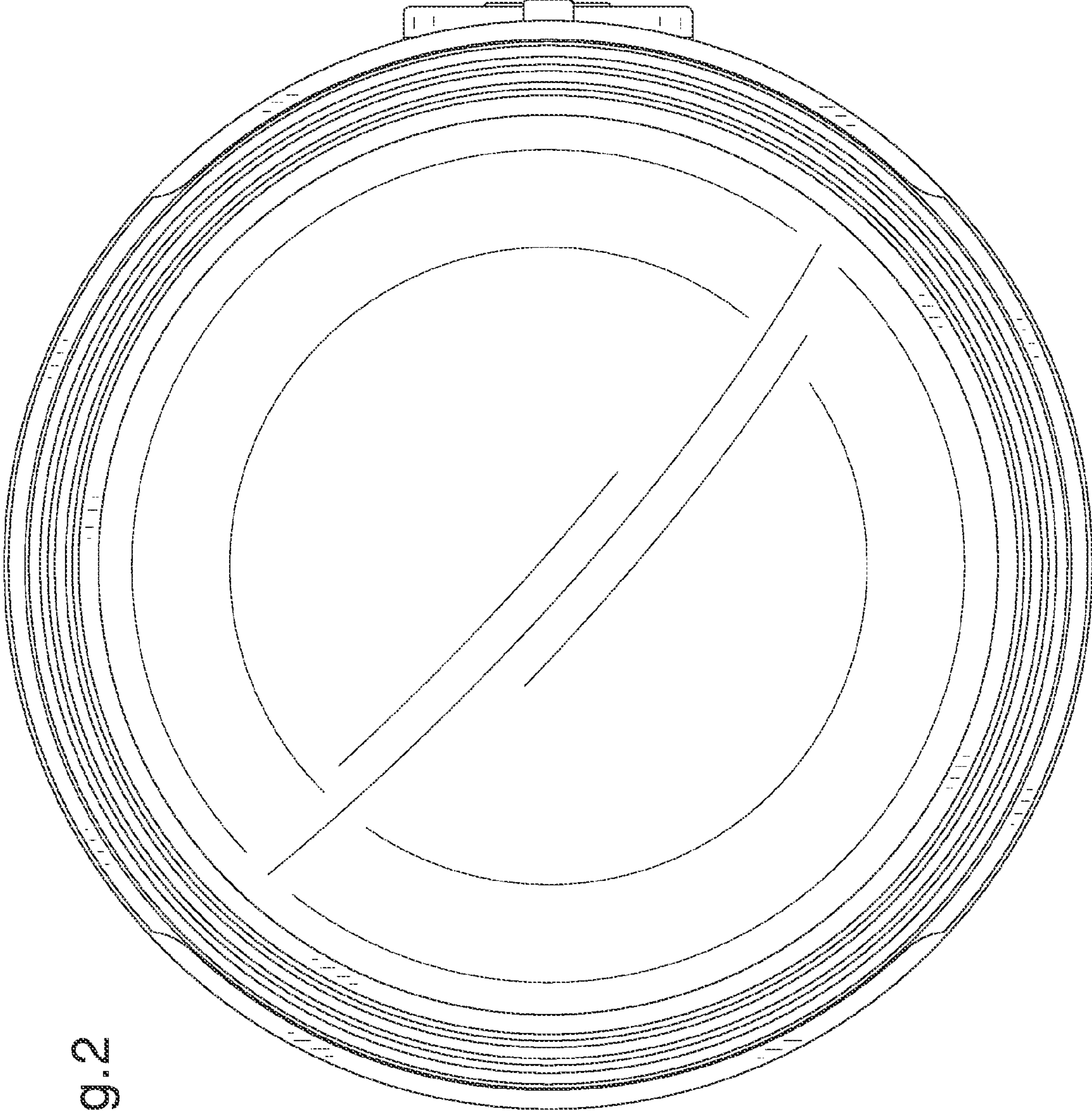


Fig.2

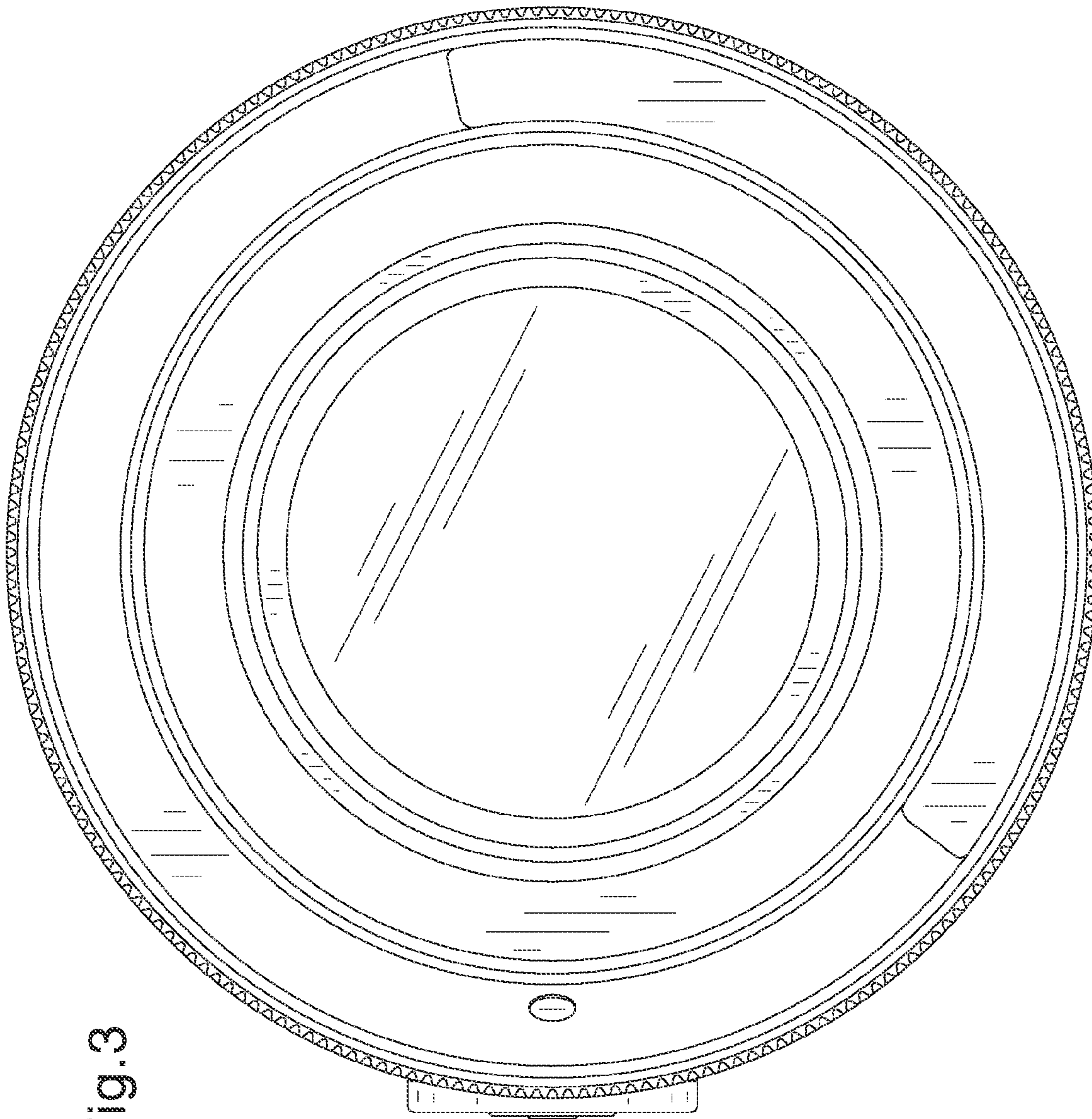


Fig. 3



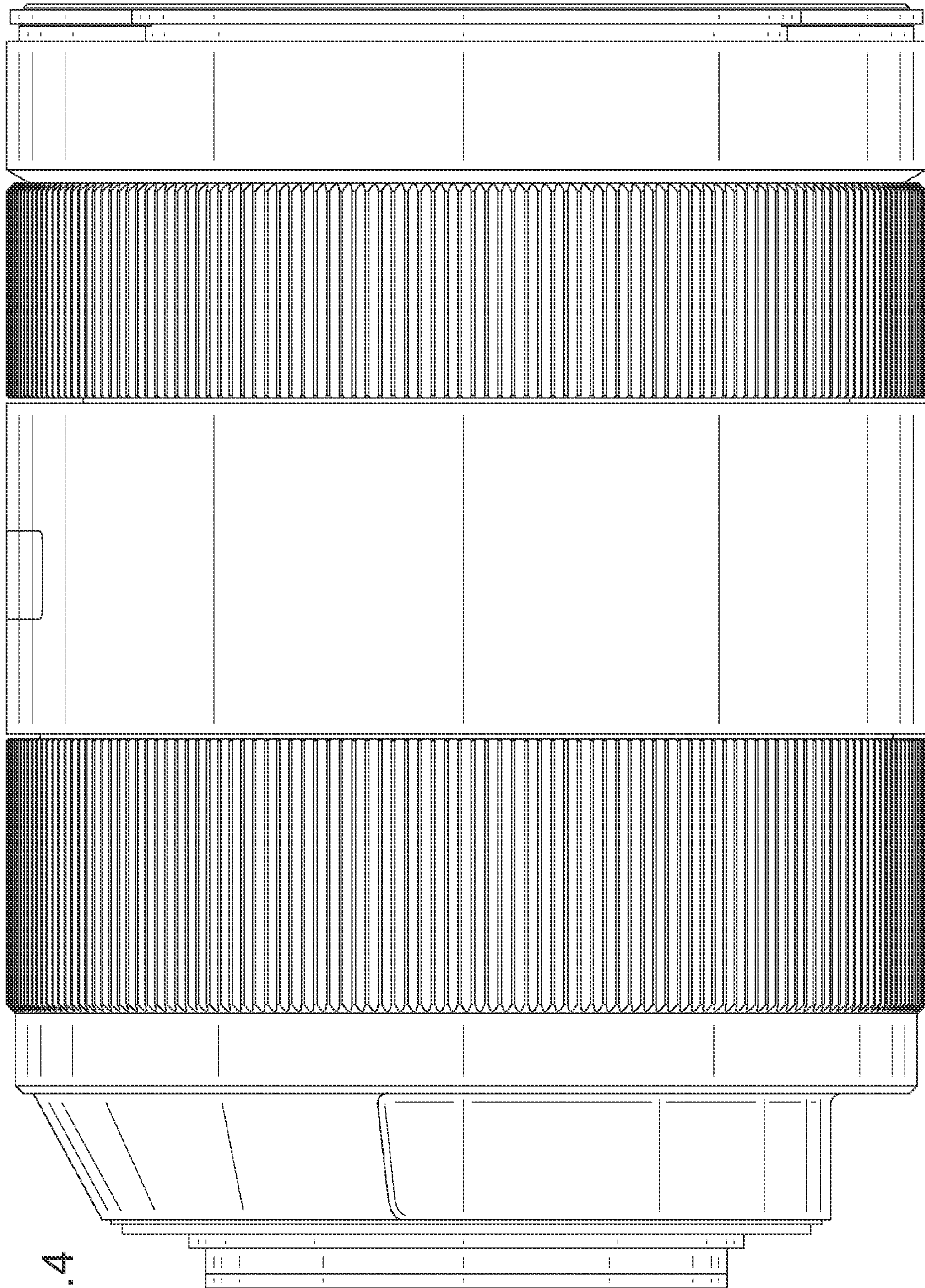


Fig.4



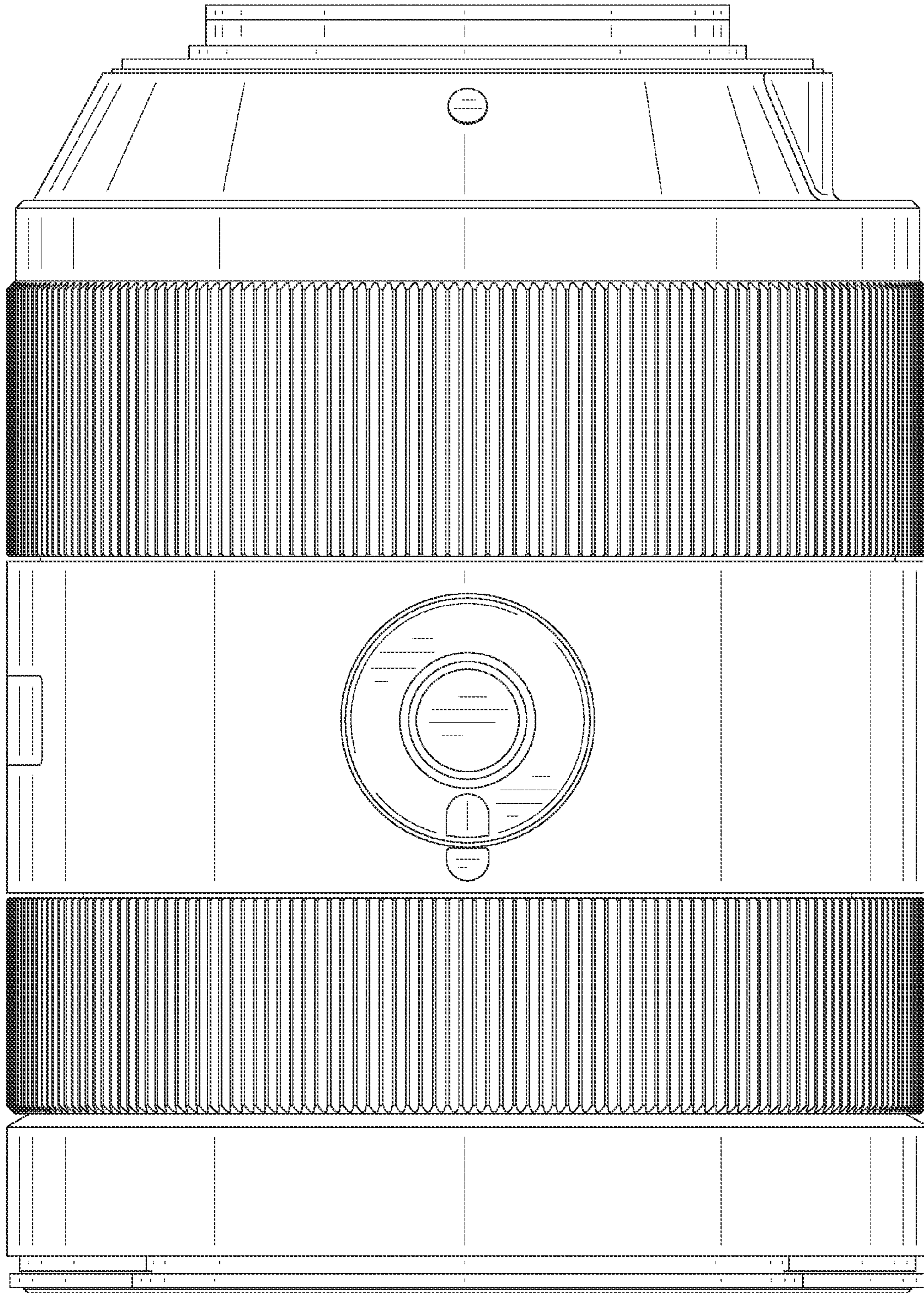


Fig. 5



Fig.6

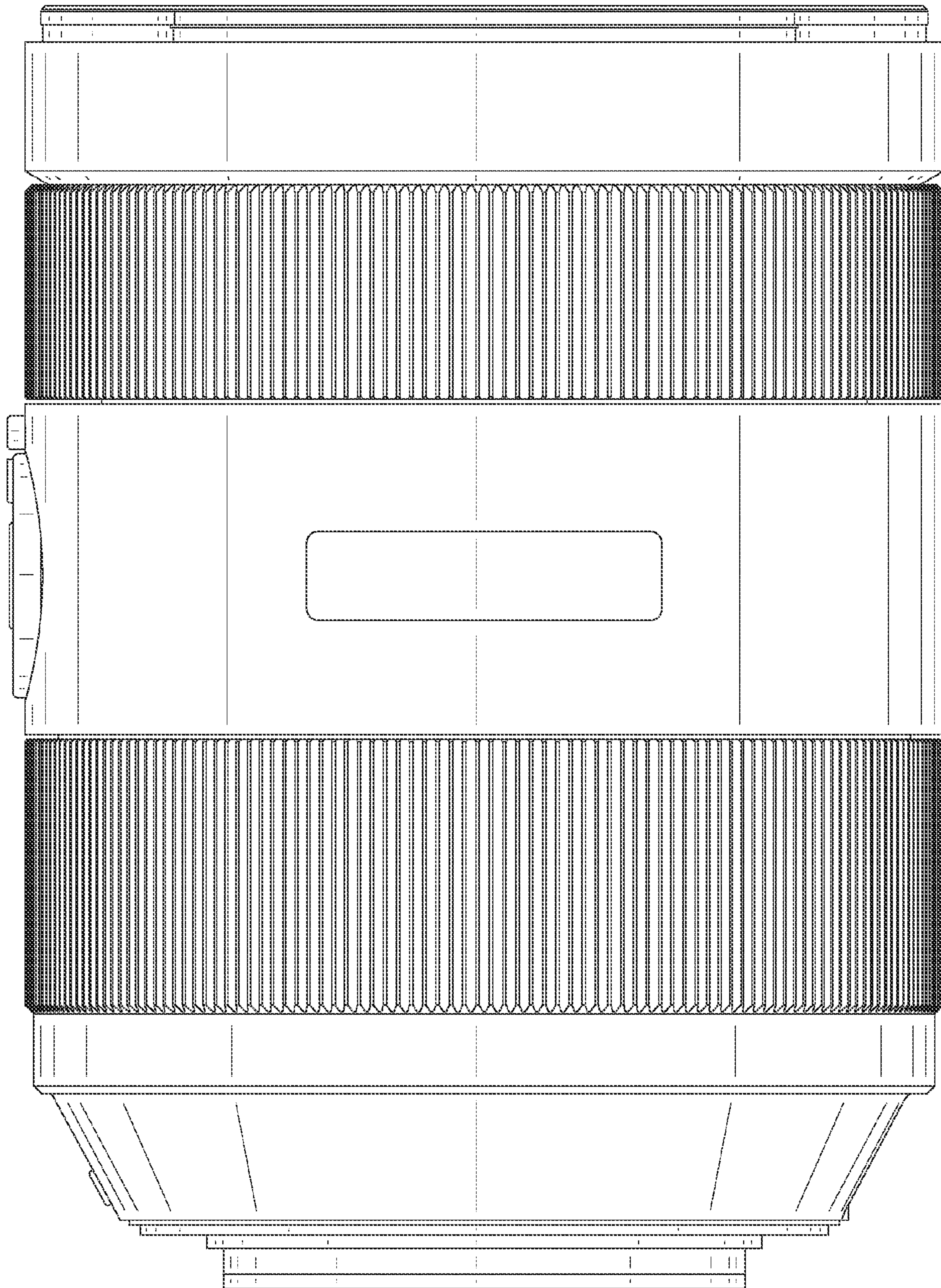




Fig.7

