



US00D562863S

(12) **United States Design Patent**
Yasutomi

(10) **Patent No.:** **US D562,863 S**
(45) **Date of Patent:** **** Feb. 26, 2008**

(54) **CAMERA LENS**

(75) Inventor: **Hiroshi Yasutomi**, Tokyo (JP)

(73) Assignee: **Sony Corporation**, Tokyo (JP)

(**) Term: **14 Years**

(21) Appl. No.: **29/267,845**

(22) Filed: **Oct. 24, 2006**

(30) **Foreign Application Priority Data**

May 24, 2006 (JP) D2006-013094

(51) **LOC (8) Cl.** **16-06**

(52) **U.S. Cl.** **D16/134; D16/219**

(58) **Field of Classification Search** D16/134,
D16/136, 200, 202, 203, 204, 219; 348/373-376;
358/909.1; 359/811, 815, 819, 826, 827,
359/828; 396/529-532, 535, 540, 541, 544
See application file for complete search history.

(56) **References Cited**

U.S. PATENT DOCUMENTS

4,063,264	A *	12/1977	Ando et al.	359/828
D248,766	S *	8/1978	Arai	D16/134
4,508,443	A *	4/1985	Matsuzaki et al.	D16/134
D302,169	S	7/1989	Kimura et al.	
D302,984	S	8/1989	Kimura et al.	
D303,976	S *	10/1989	Kimura et al.	D16/134

5,060,005	A *	10/1991	Itoh et al.	396/532
D341,611	S *	11/1993	Takahashi	D16/134
5,305,036	A *	4/1994	Tanaka	396/529
D362,007	S *	9/1995	Takahashi	D16/219
D375,969	S *	11/1996	Watanabe	D16/134
D412,922	S *	8/1999	Sekine	D16/219
D425,088	S *	5/2000	Watanabe	D16/134
D433,044	S *	10/2000	Nagaoka et al.	D16/134
D500,068	S	12/2004	Hayashi	

* cited by examiner

Primary Examiner—Adir Aronovich

(74) *Attorney, Agent, or Firm*—Rader, Fishman & Grauer, PLLC

(57) **CLAIM**

The ornamental design for a camera lens, as shown.

DESCRIPTION

FIG. 1 is a perspective view of a camera lens showing my new design;

FIG. 2 is a front elevational view thereof;

FIG. 3 is a rear elevational view thereof;

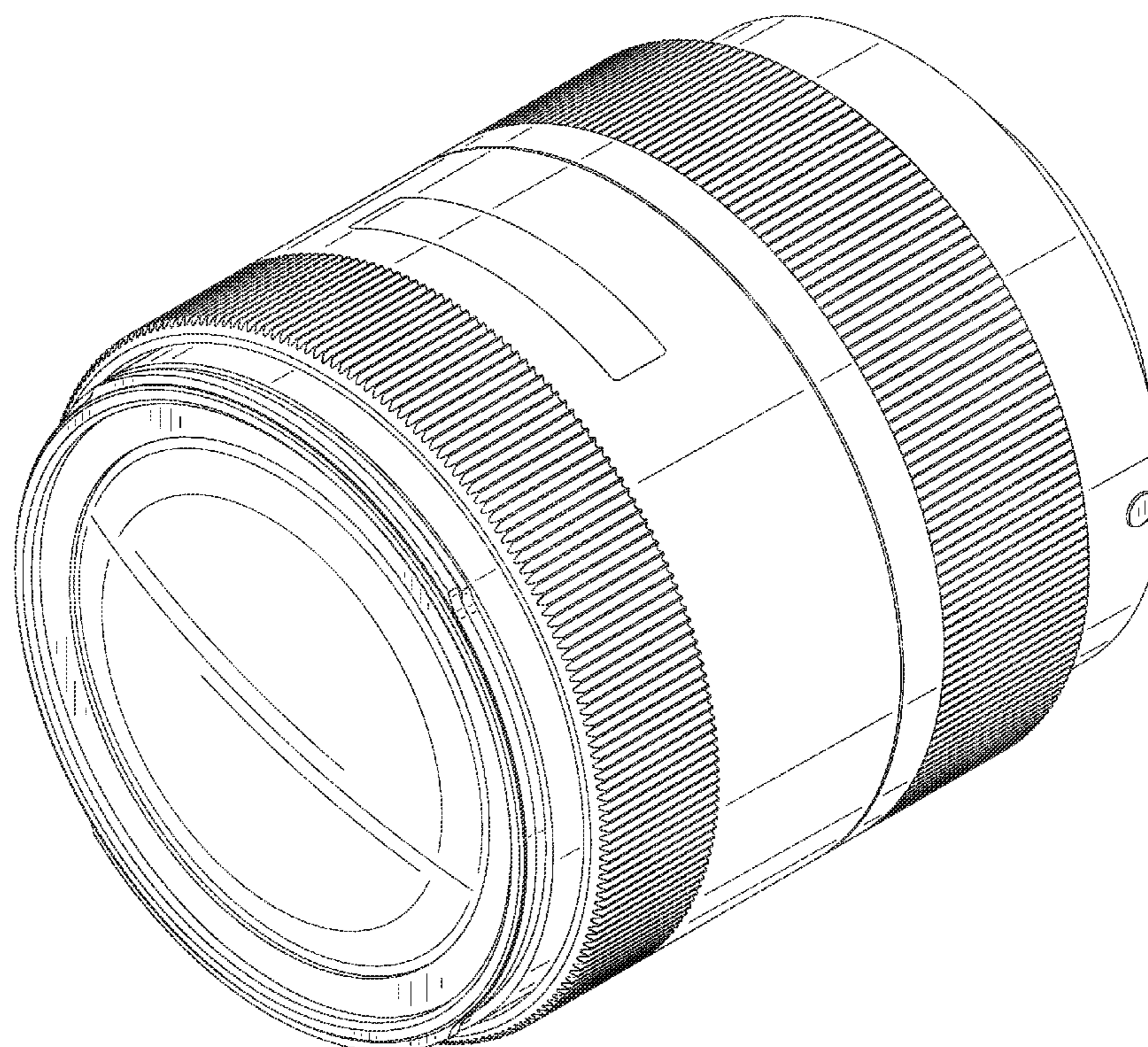
FIG. 4 is a left side elevational view thereof;

FIG. 5 is a right side elevational view thereof;

FIG. 6 is a top plan view thereof; and,

FIG. 7 is a bottom plan view thereof.

1 Claim, 7 Drawing Sheets



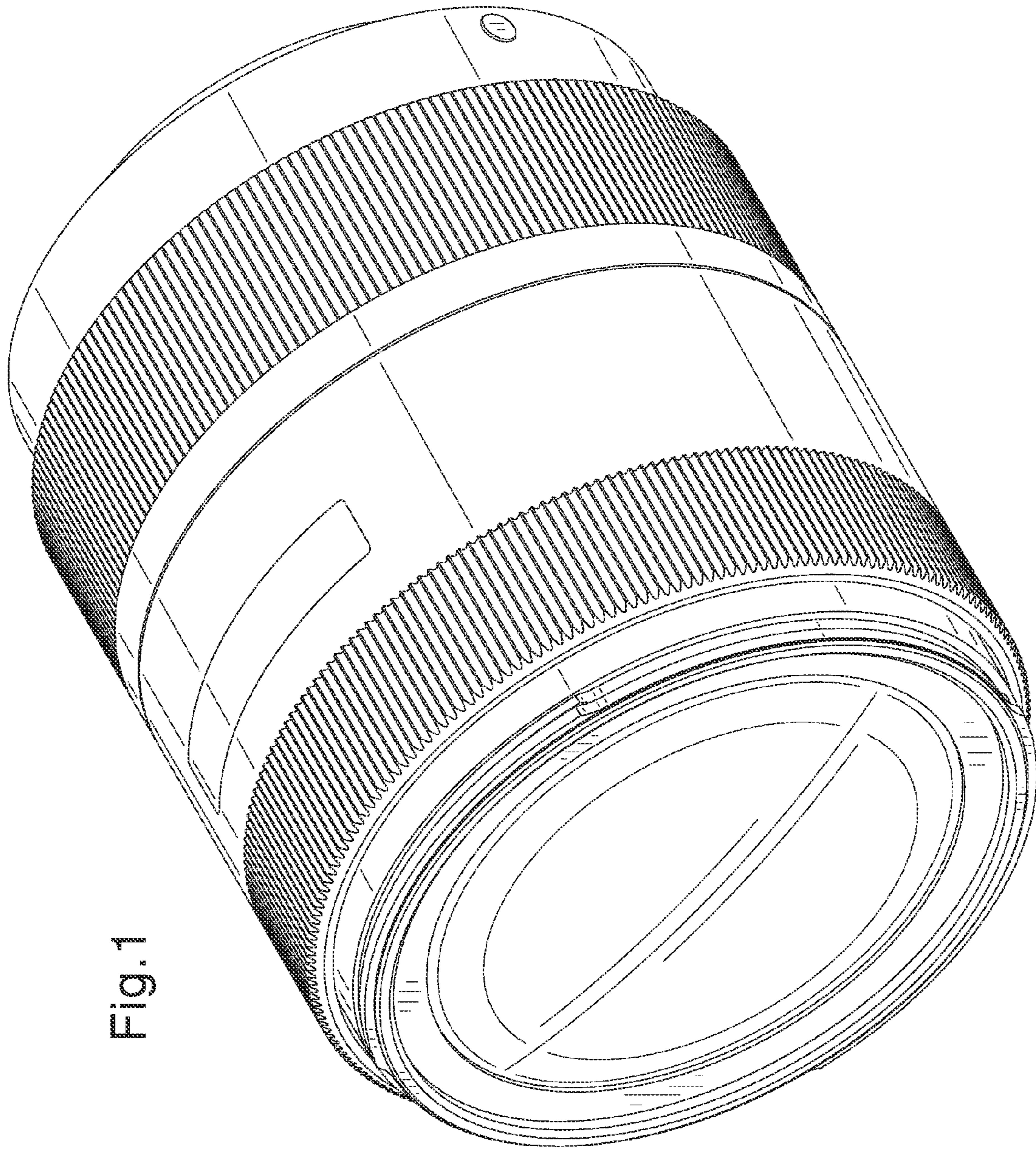


Fig. 1

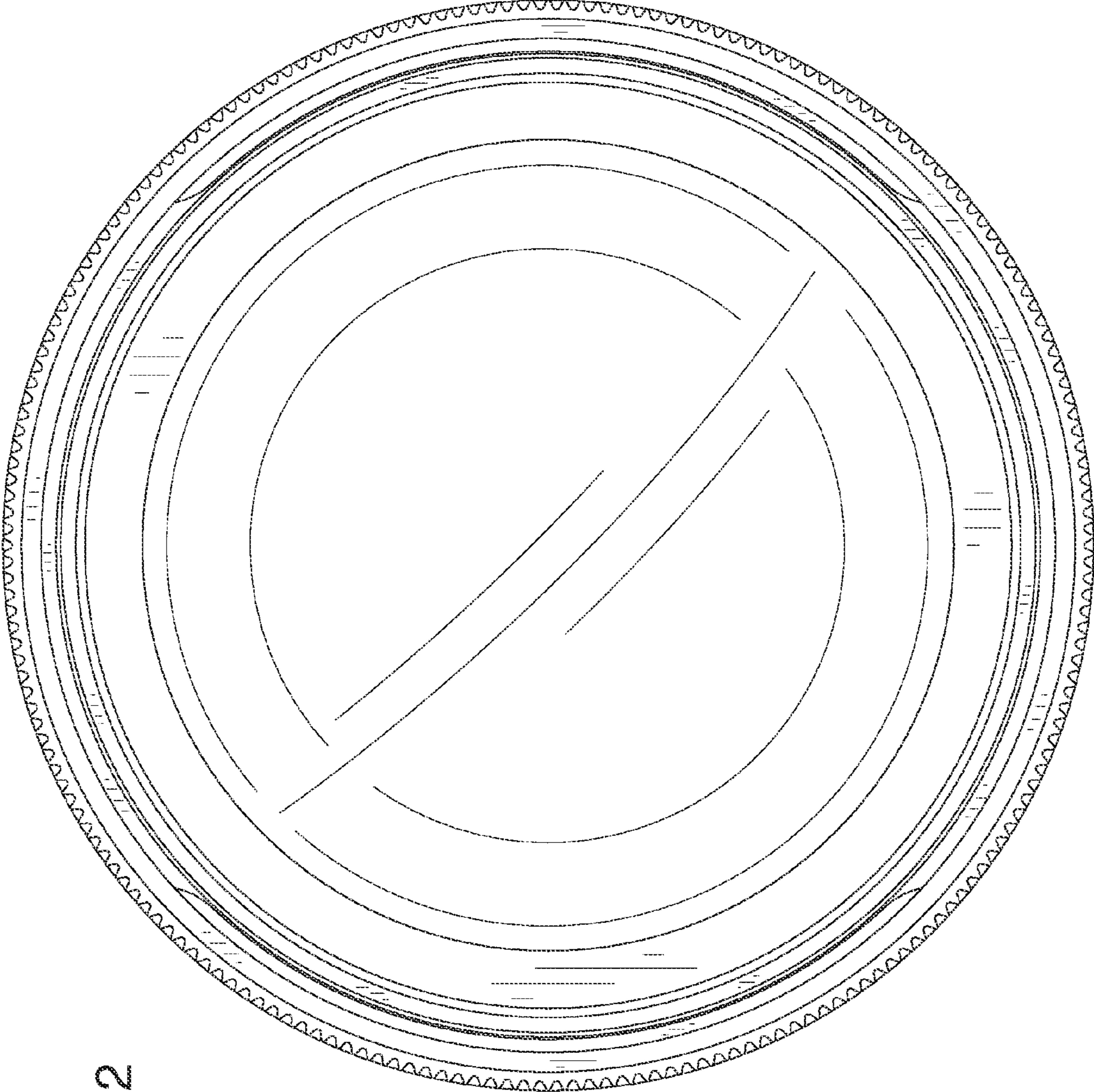


Fig. 2

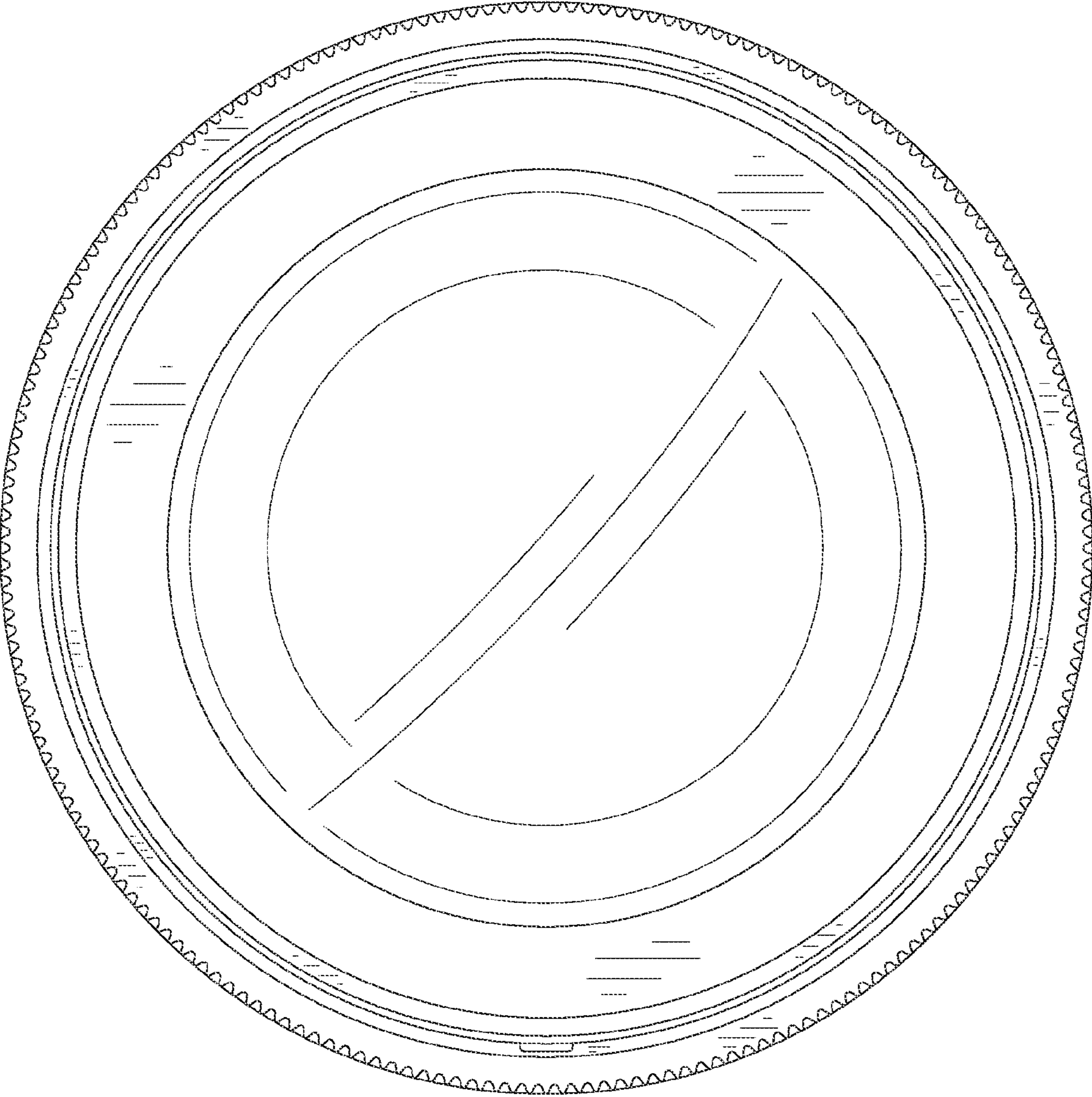


Fig. 3

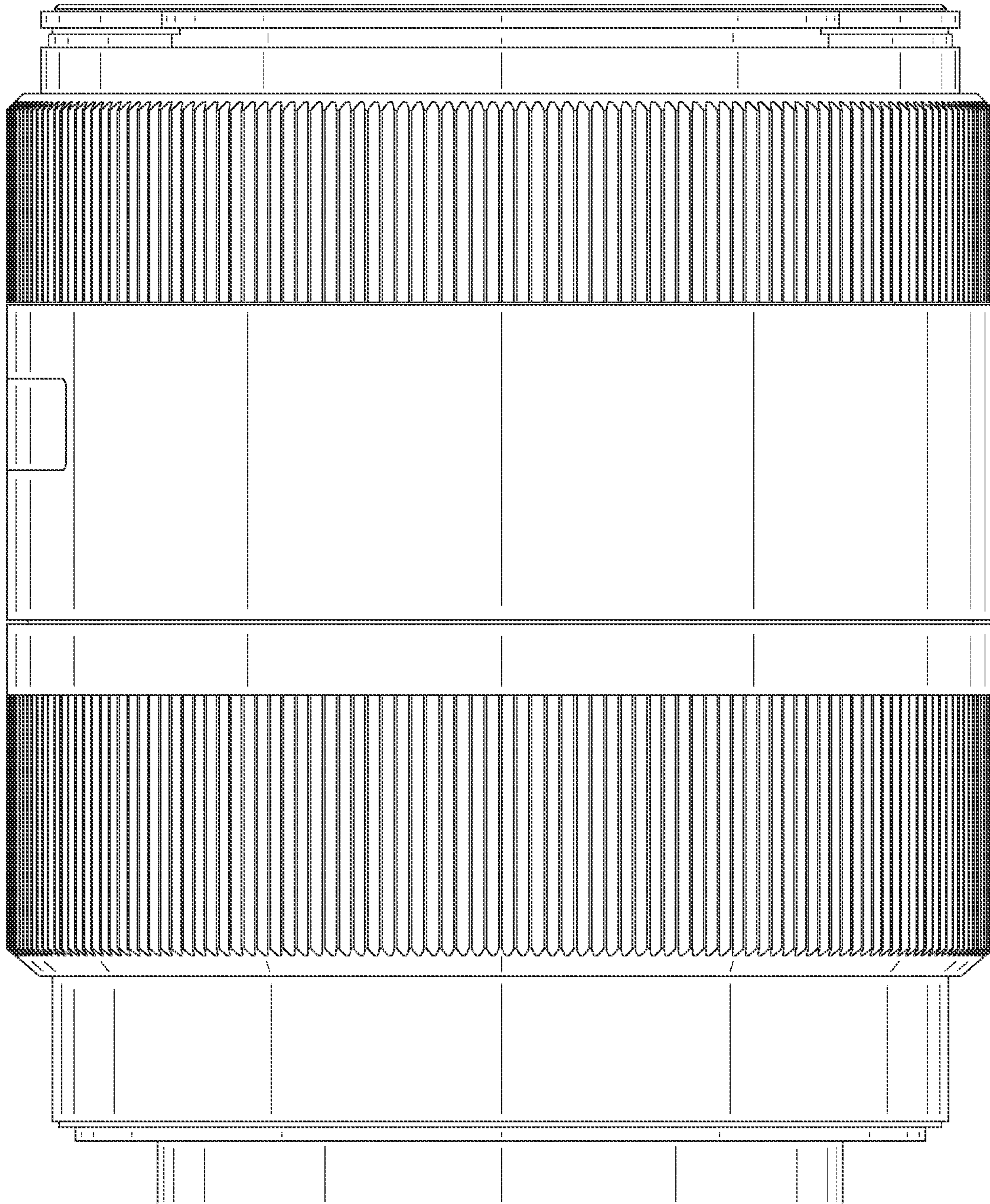


Fig. 4

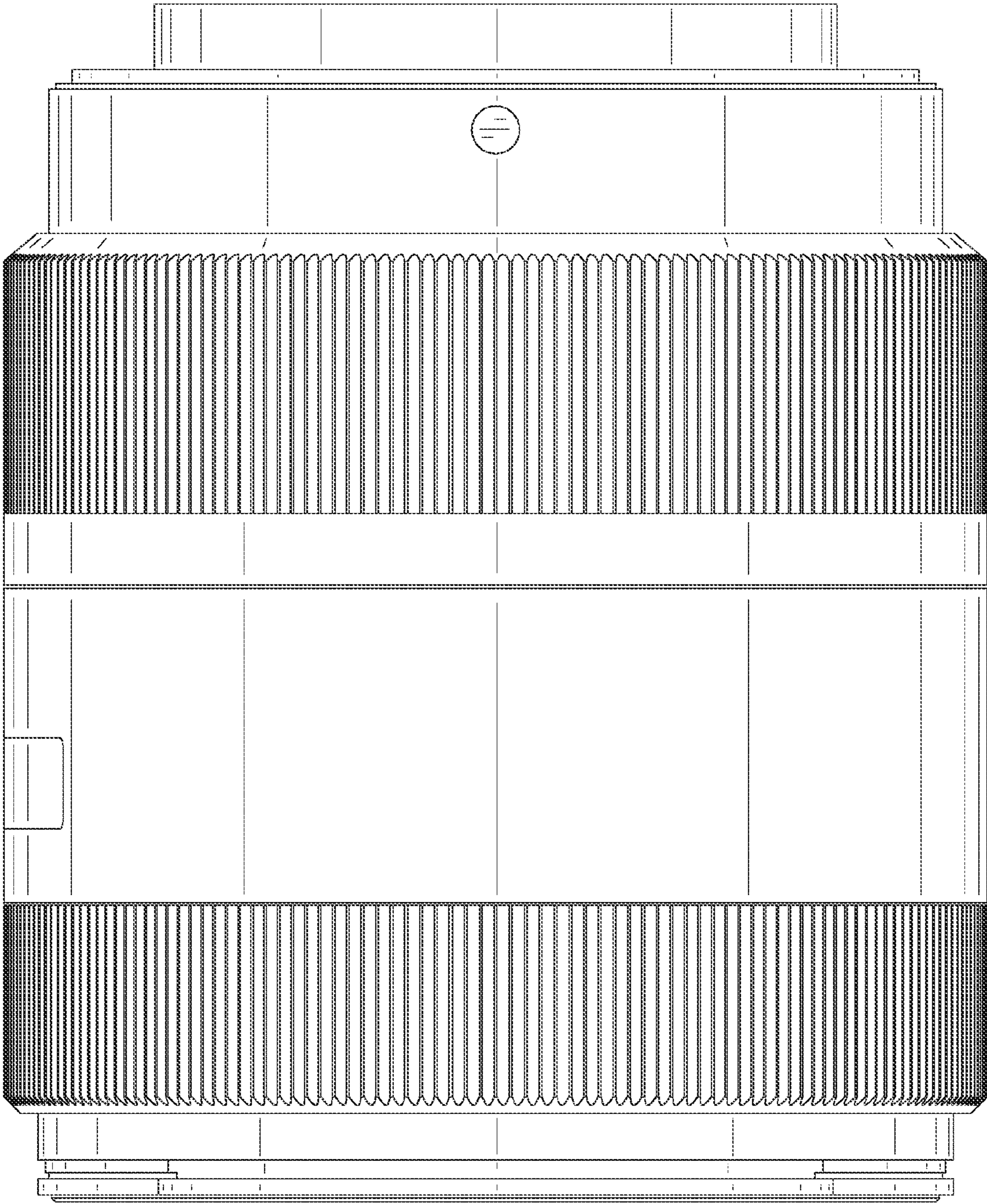


Fig. 5

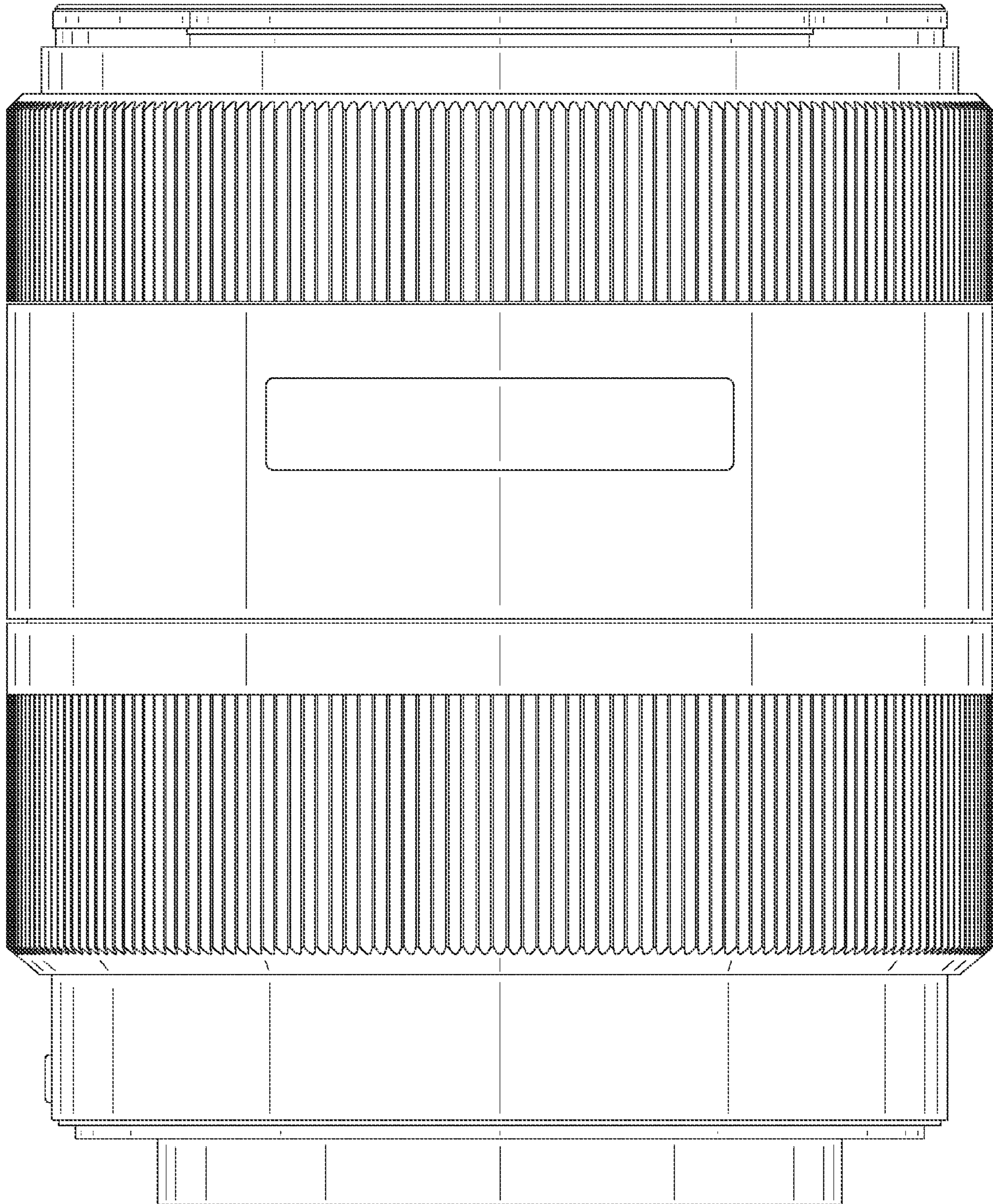


Fig. 6

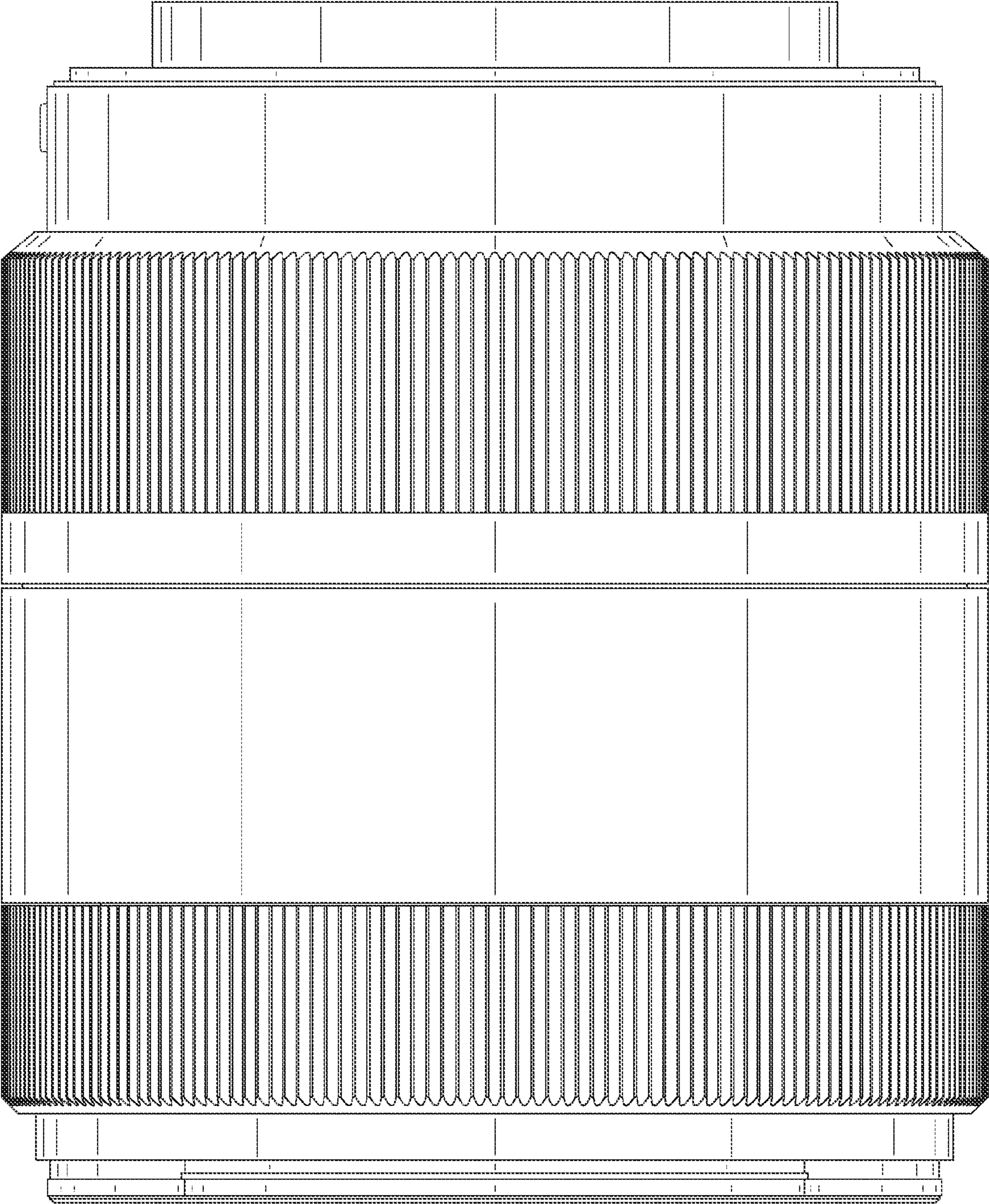


Fig. 7