



US00D562862S

(12) **United States Design Patent**
Yasutomi

(10) **Patent No.:** **US D562,862 S**

(45) **Date of Patent:** **** Feb. 26, 2008**

(54) **CAMERA LENS**

(75) Inventor: **Hiroshi Yasutomi**, Tokyo (JP)

(73) Assignee: **Sony Corporation**, Tokyo (JP)

(**) Term: **14 Years**

(21) Appl. No.: **29/267,843**

(22) Filed: **Oct. 24, 2006**

(30) **Foreign Application Priority Data**

May 24, 2006 (JP) D2006-013096

(51) **LOC (8) Cl.** **16-06**

(52) **U.S. Cl.** **D16/134; D16/219**

(58) **Field of Classification Search** D16/134,
D16/136, 200, 202, 203, 204, 219; 348/373-376;
358/909.1; 359/811, 815, 819, 826, 827,
359/828; 396/529-532, 535, 540, 541, 544
See application file for complete search history.

(56) **References Cited**

U.S. PATENT DOCUMENTS

D248,766 S	*	8/1978	Arai	D16/134
D251,669 S	*	4/1979	Ueda et al.	D16/134
D302,169 S		7/1989	Kimura et al.		
D302,984 S		8/1989	Kimura et al.		
D303,976 S	*	10/1989	Kimura et al.	D16/134

5,060,005 A	*	10/1991	Itoh et al.	396/532
5,305,036 A	*	4/1994	Tanaka	396/529
D375,969 S	*	11/1996	Watanabe	D16/219
5,732,303 A	*	3/1998	Choi	396/532
D425,088 S	*	5/2000	Watanabe	D16/134
D428,428 S	*	7/2000	Ono	D16/219
D500,068 S		12/2004	Hayashi		

* cited by examiner

Primary Examiner—Adir Aronovich

(74) *Attorney, Agent, or Firm*—Rader, Fishman & Grauer, PLLC

(57) **CLAIM**

The ornamental design for a camera lens, as shown.

DESCRIPTION

FIG. 1 is a perspective view of a camera lens showing my new design;

FIG. 2 is a front elevational view thereof;

FIG. 3 is a rear elevational view thereof;

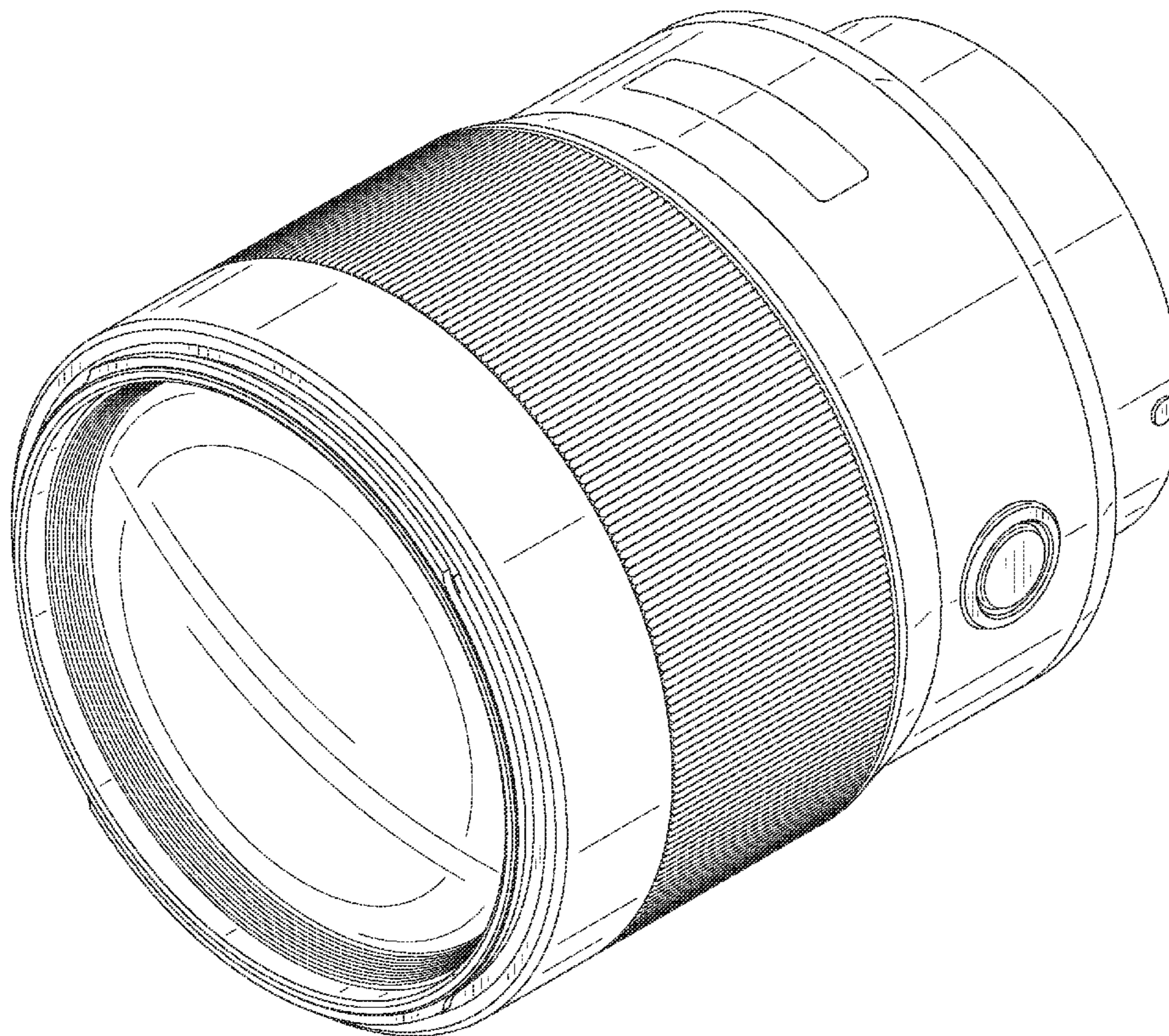
FIG. 4 is a left side elevational view thereof;

FIG. 5 is a right side elevational view thereof;

FIG. 6 is a top plan view thereof; and,

FIG. 7 is a bottom plan view thereof.

1 Claim, 7 Drawing Sheets



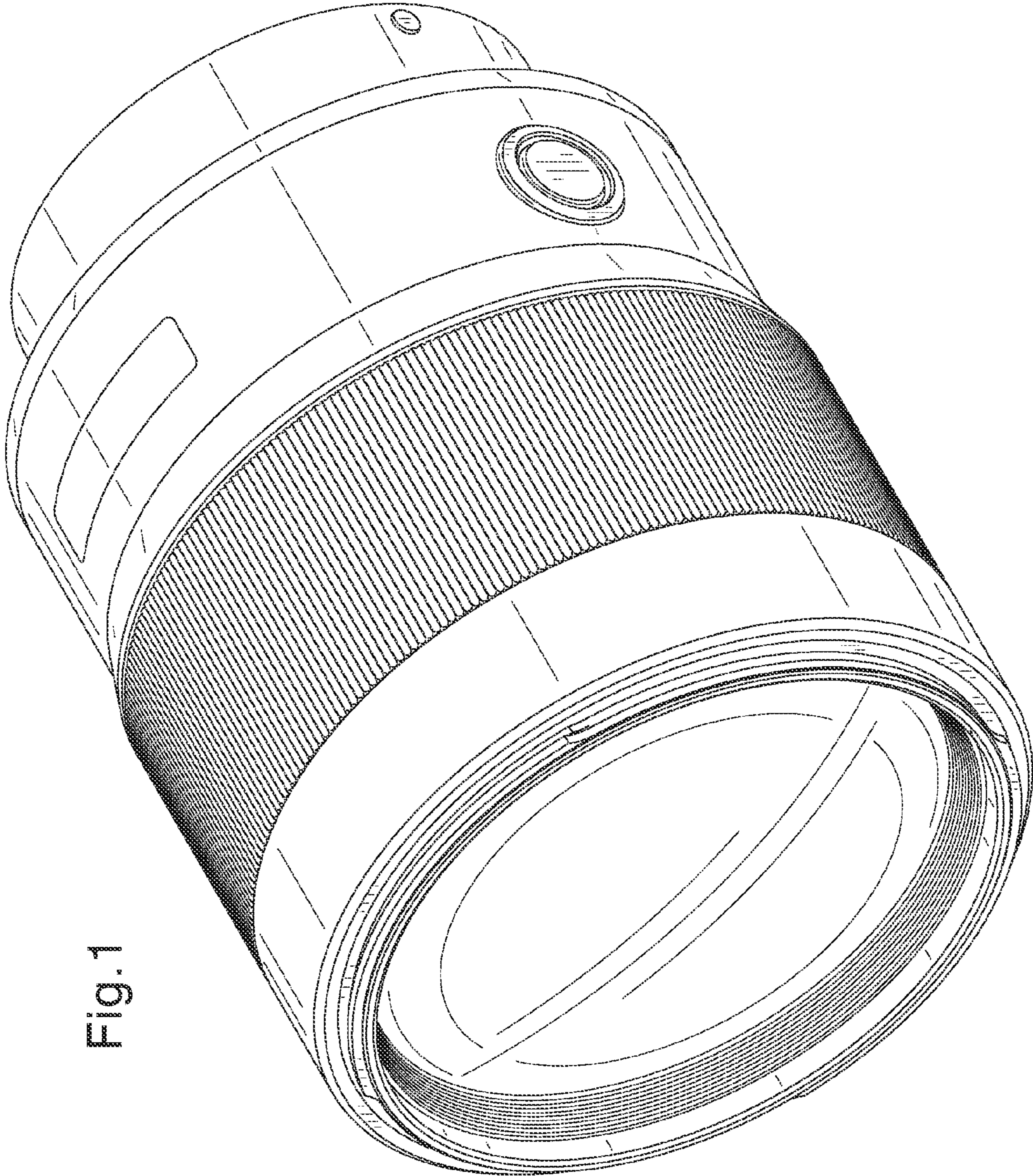


Fig. 1

Fig.2

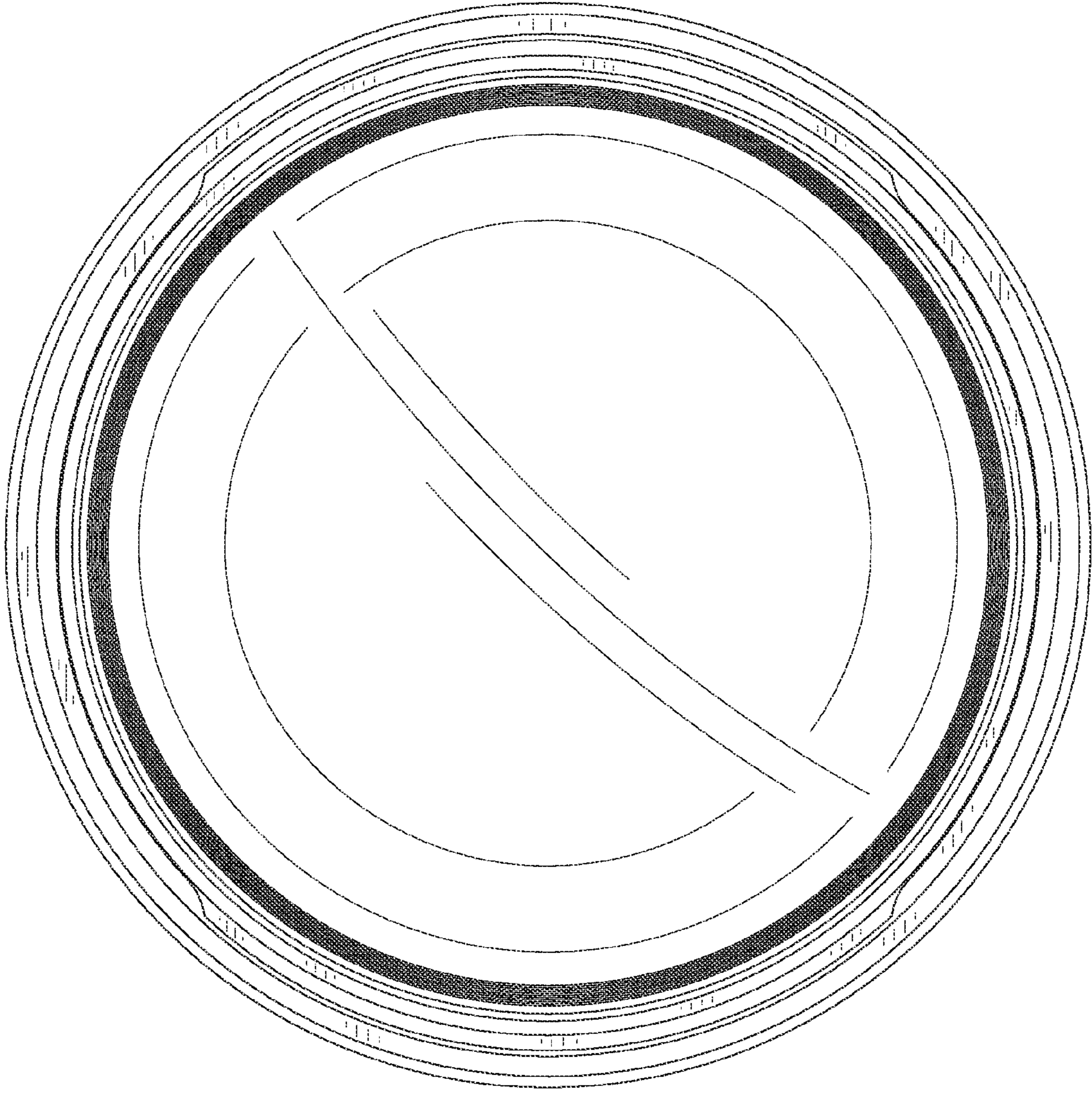
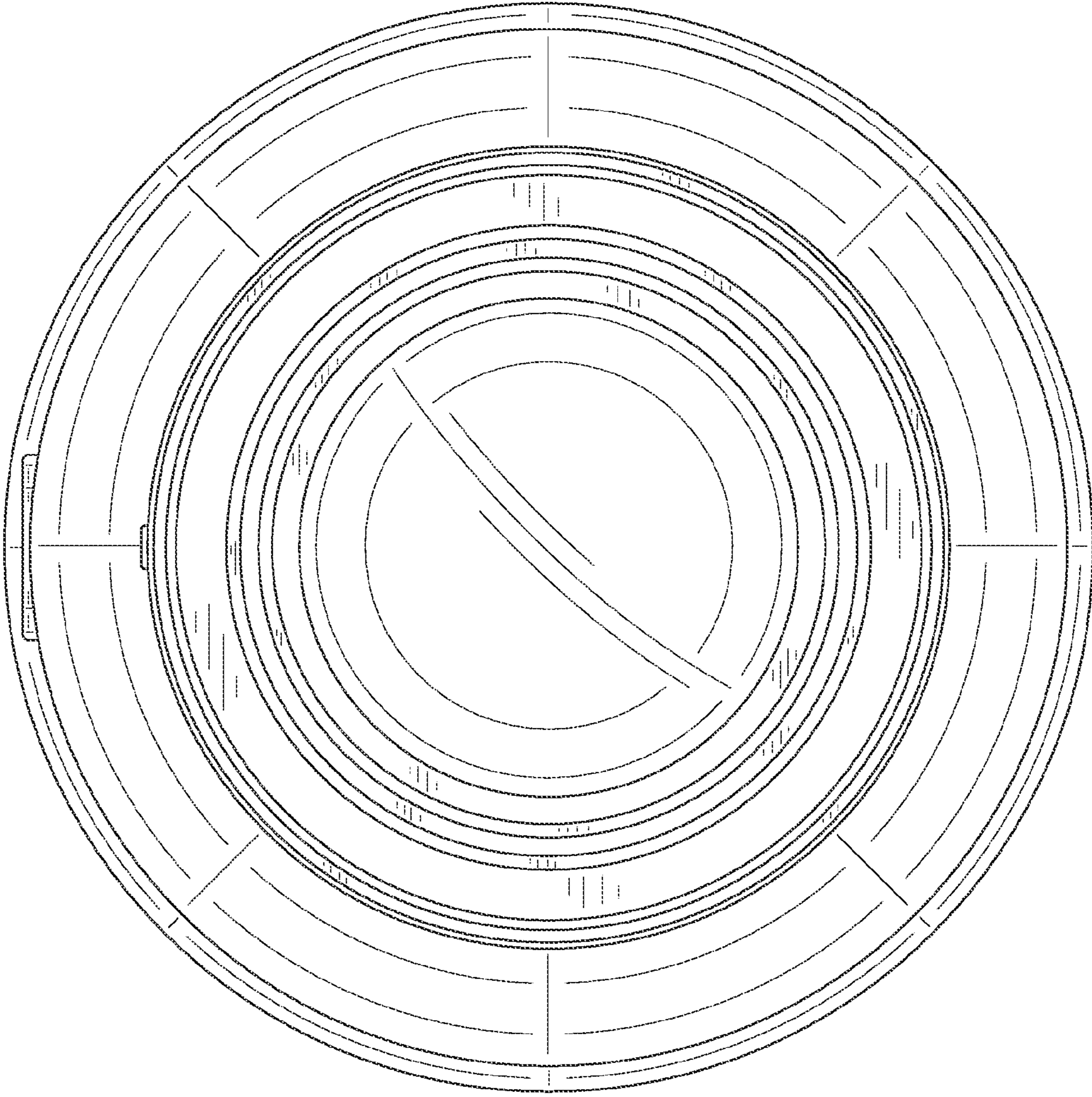


Fig.3



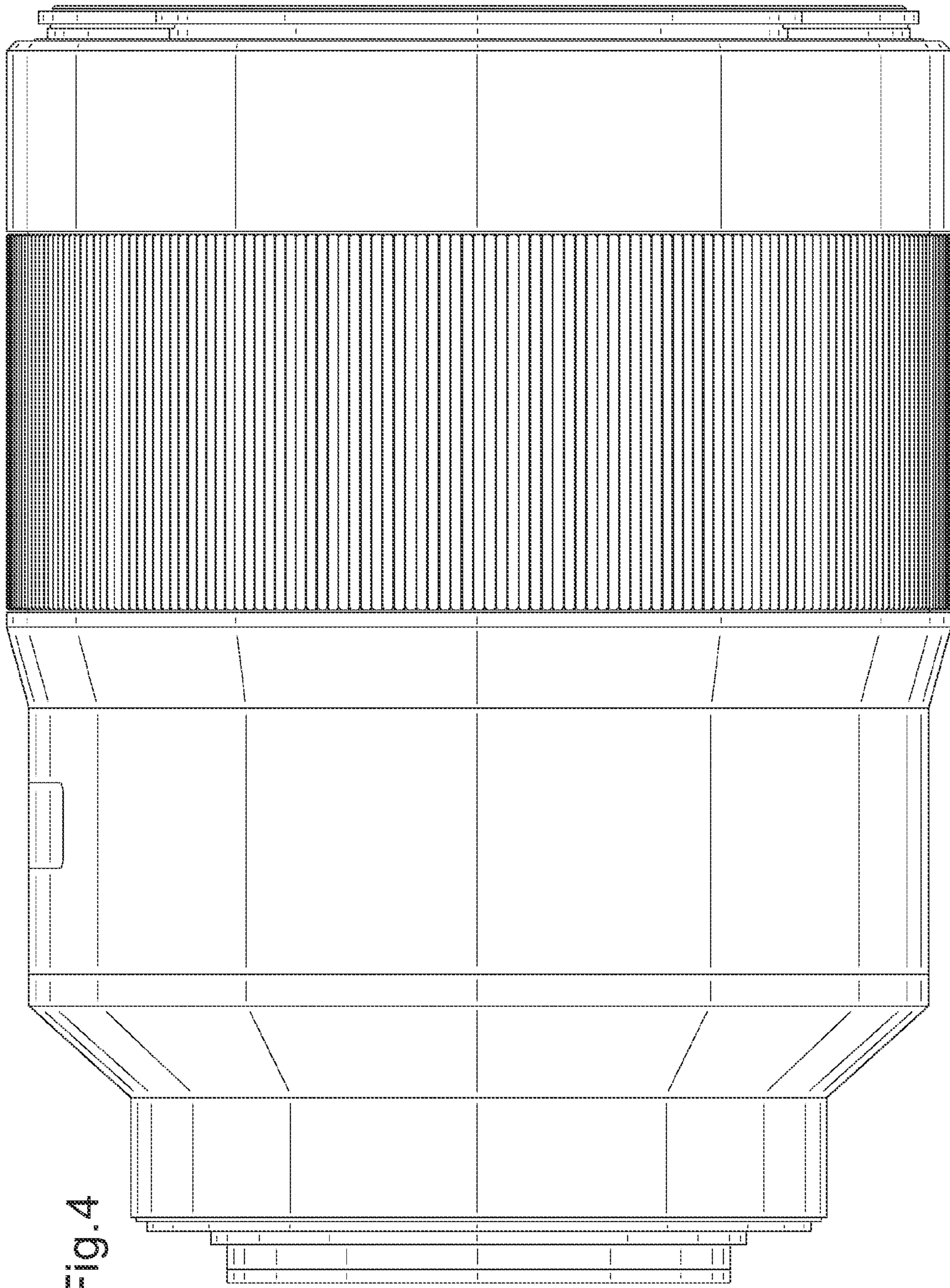


Fig. 4

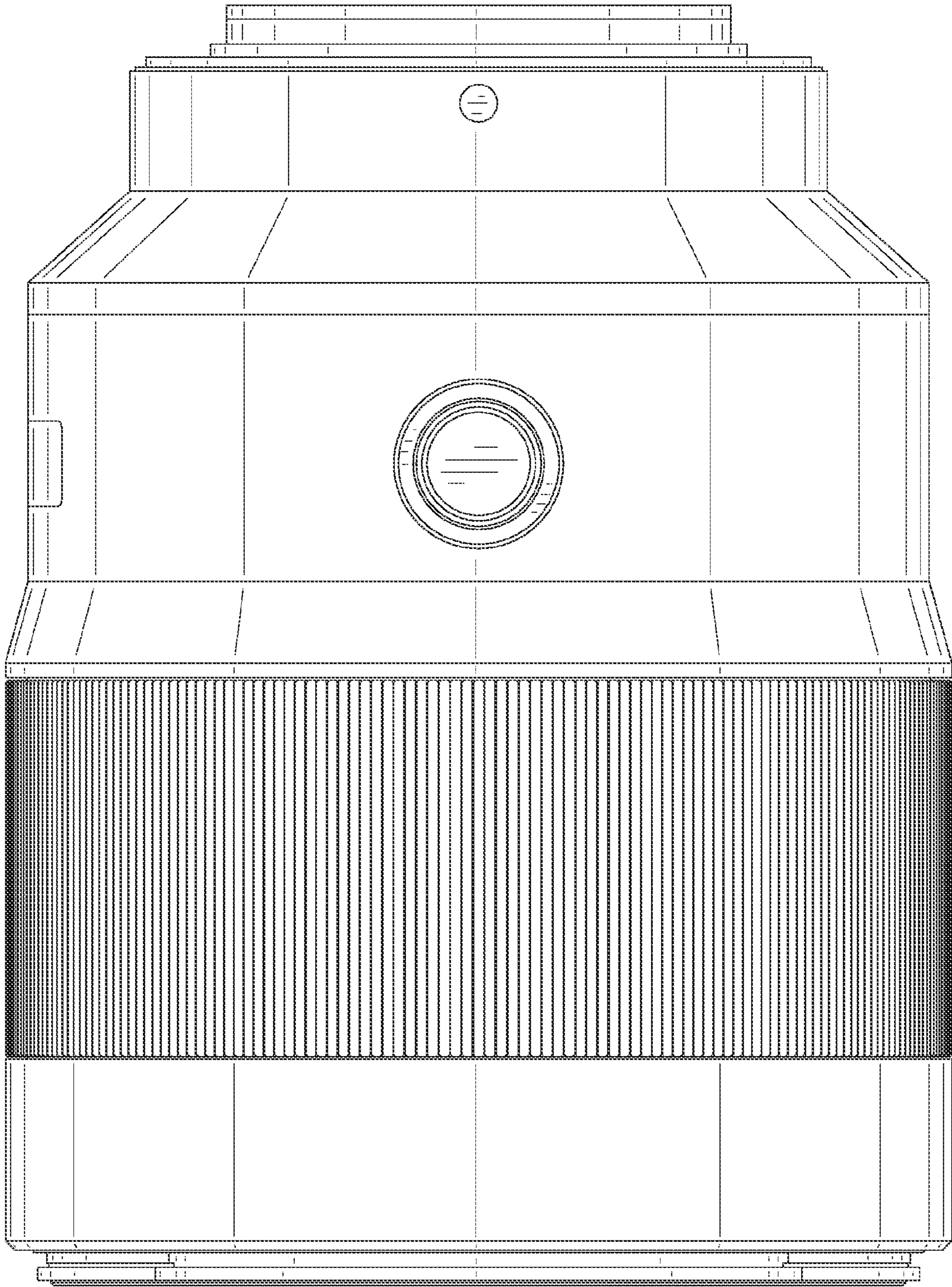


Fig. 5

Fig.6

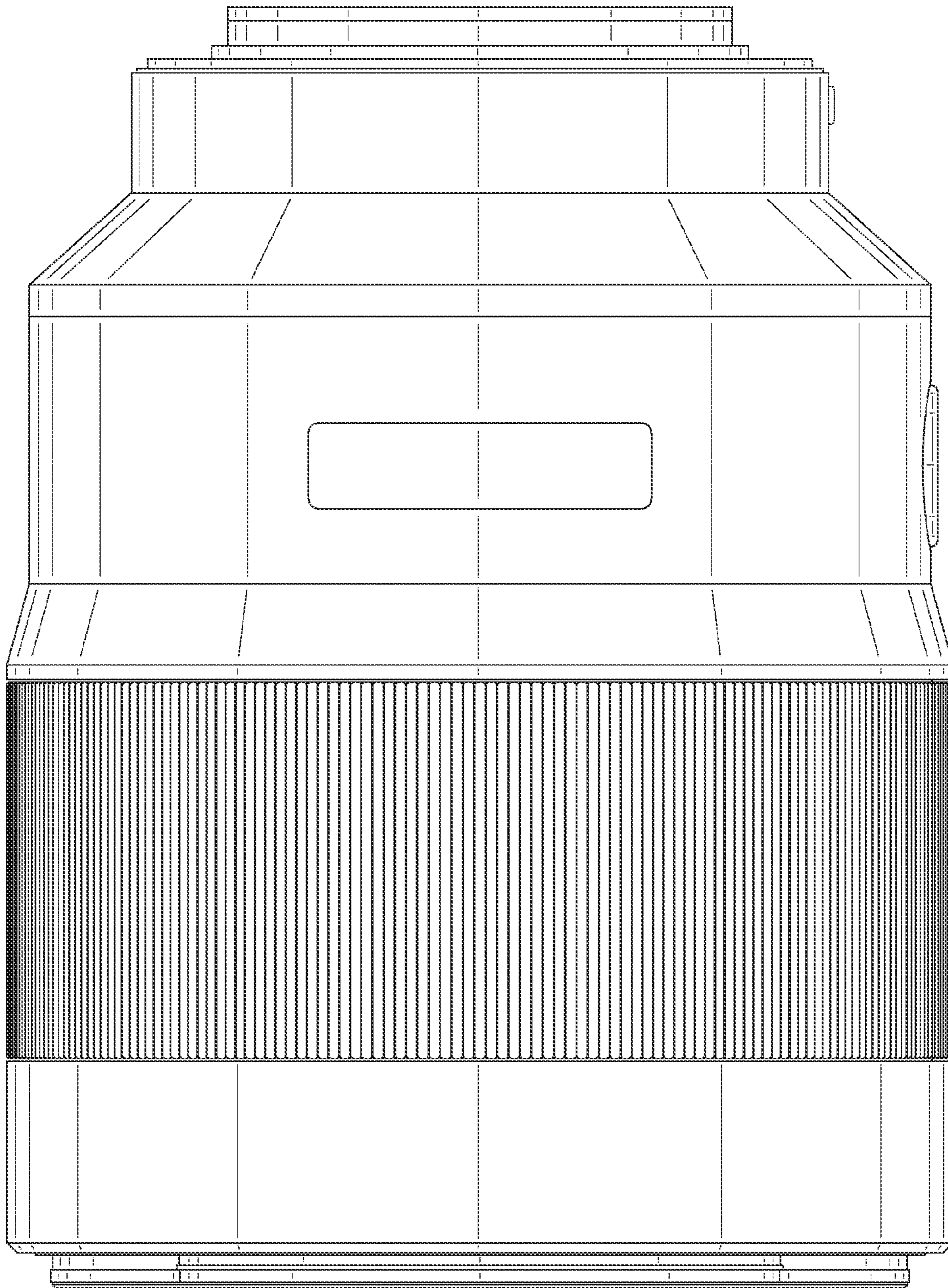


Fig.7

