

US00D562855S

(12) **United States Design Patent**
Leasure et al.

(10) **Patent No.:** **US D562,855 S**

(45) **Date of Patent:** **** Feb. 26, 2008**

(54) **DRUM SANDER**

(75) Inventors: **Jeremy D. Leasure**, Jackson, TN (US);
Robert P. Welsh, Phoenix, MD (US)

(73) Assignee: **Black & Decker Inc.**, Newark, DE
(US)

(**) Term: **14 Years**

(21) Appl. No.: **29/288,676**

(22) Filed: **Jun. 19, 2007**

(51) **LOC (8) Cl.** **15-09**

(52) **U.S. Cl.** **D15/124**

(58) **Field of Classification Search** D15/124,
D15/125, 199; 451/5, 8, 24, 26, 178, 241,
451/295, 296, 300, 340, 358, 360, 363, 496,
451/499, 541

See application file for complete search history.

(56) **References Cited**

U.S. PATENT DOCUMENTS

1,876,328 A *	9/1932	Loetscher	451/207
D173,831 S *	1/1955	Blazek	D15/124
4,365,444 A *	12/1982	Chwae	D15/124
D285,929 S *	9/1986	Cheng	D15/124
D292,099 S *	9/1987	Miller, Jr.	D15/124
4,768,309 A *	9/1988	Miller	D15/124
D299,033 S	12/1988	Steele		
D328,604 S *	8/1992	Chien	D15/124
D330,205 S *	10/1992	Sakaoka	D15/124
D341,843 S	11/1993	Miller, Jr.		
D362,858 S	10/1995	Dyer		

5,591,075 A *	1/1997	Chang	451/178
5,720,648 A *	2/1998	Green et al.	451/8
6,106,388 A	8/2000	Green		
D433,427 S	11/2000	Donovan et al.		
6,685,545 B2 *	2/2004	Chuang	451/358
D492,330 S *	6/2004	Liu	D15/125
6,899,606 B2	5/2005	Liao et al.		
7,125,323 B1	10/2006	Chuang		
2003/0157871 A1 *	8/2003	Lin	451/340

* cited by examiner

Primary Examiner—Antoine D. Davis

Assistant Examiner—Patricia Palasik

(74) *Attorney, Agent, or Firm*—Mehul R. Jani; Adan Ayala;
Charles Yocum

(57) **CLAIM**

The ornamental design for a drum sander, as shown and described.

DESCRIPTION

FIG. 1 is a perspective view of a drum sander showing the new design.

FIG. 2 is a right side view thereof.

FIG. 3 is left side view thereof.

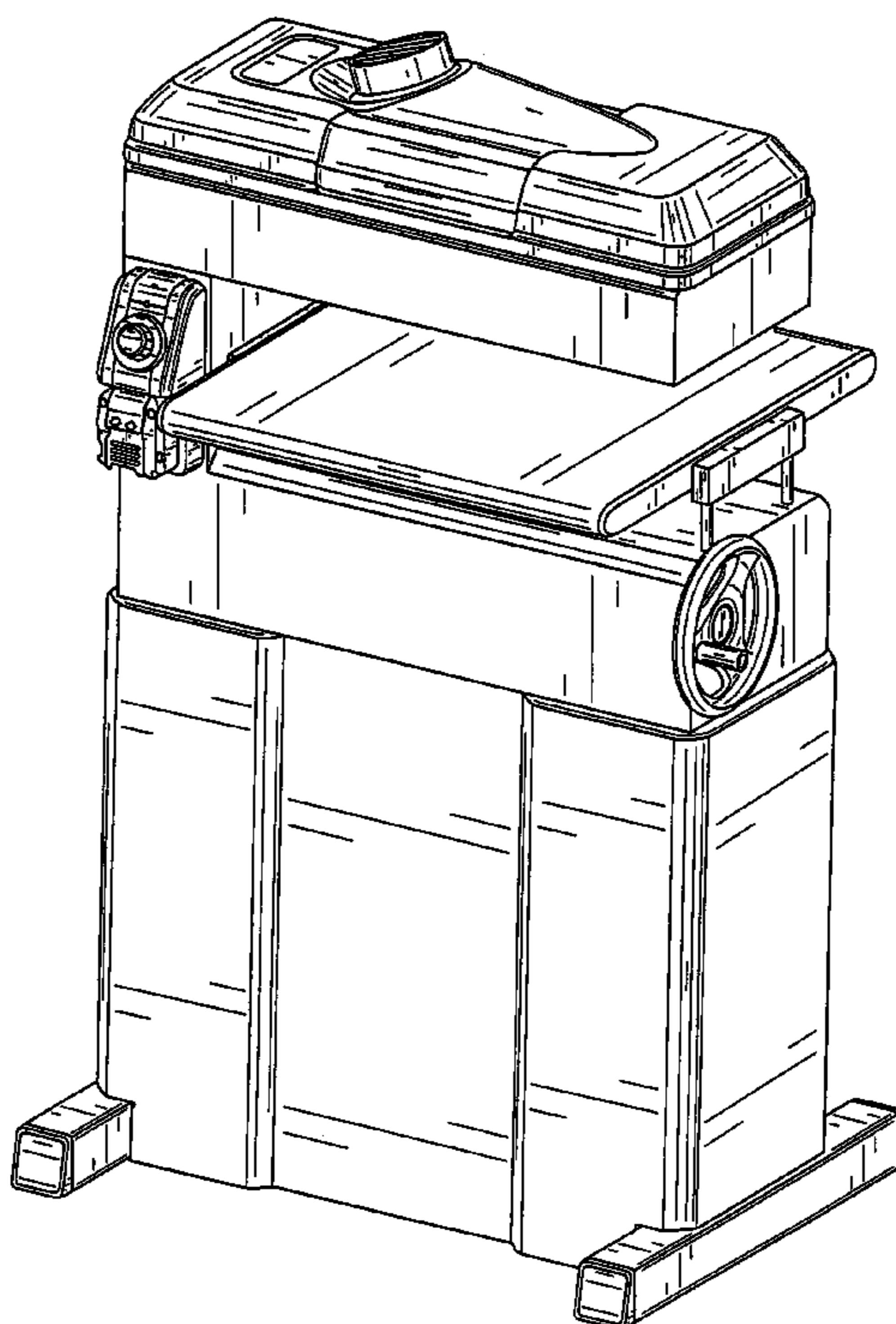
FIG. 4 is a front view thereof.

FIG. 5 is a rear view thereof.

FIG. 6 is a top plan view thereof; and,

FIG. 7 is a bottom plan view thereof.

1 Claim, 7 Drawing Sheets



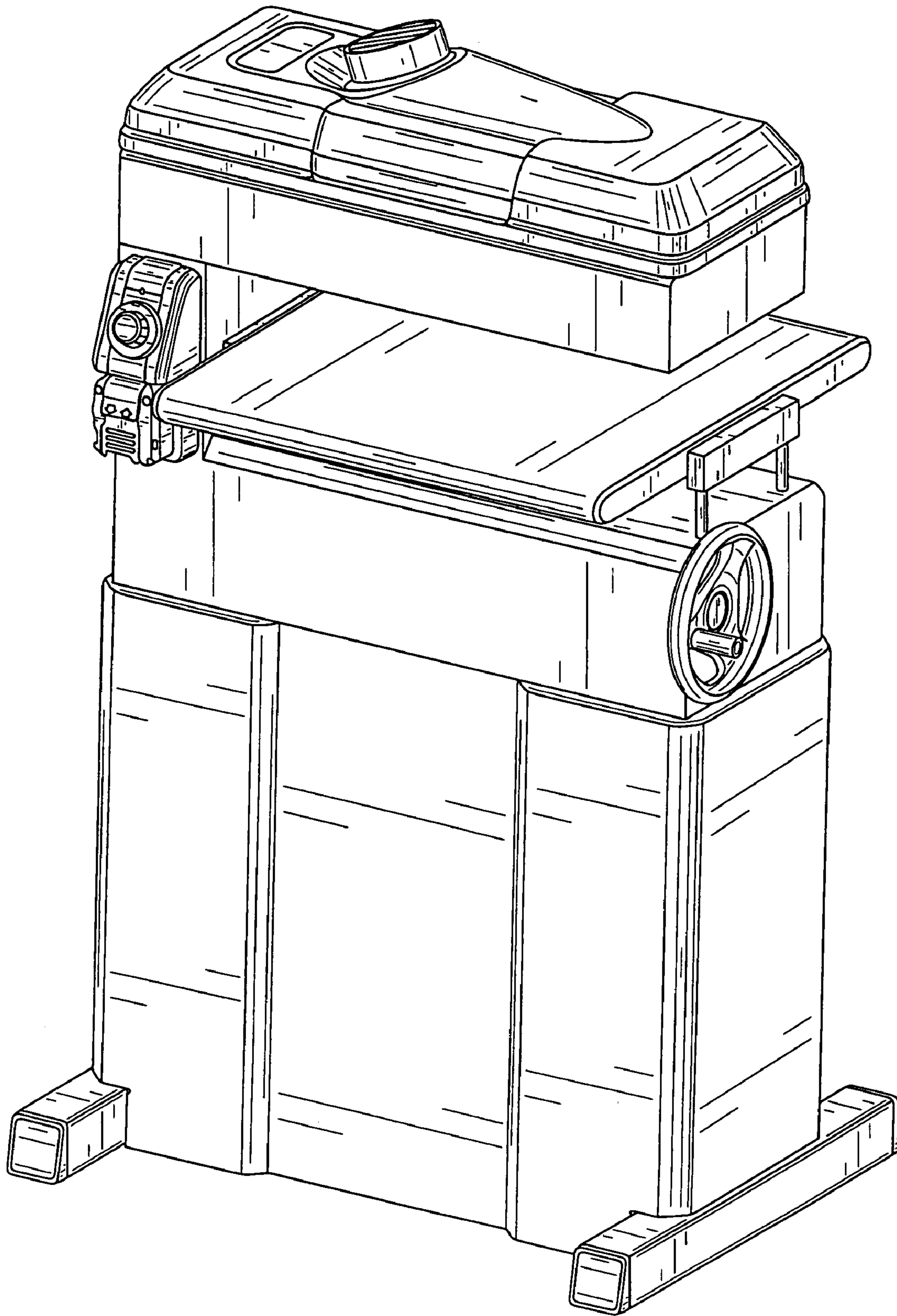


FIG. 1

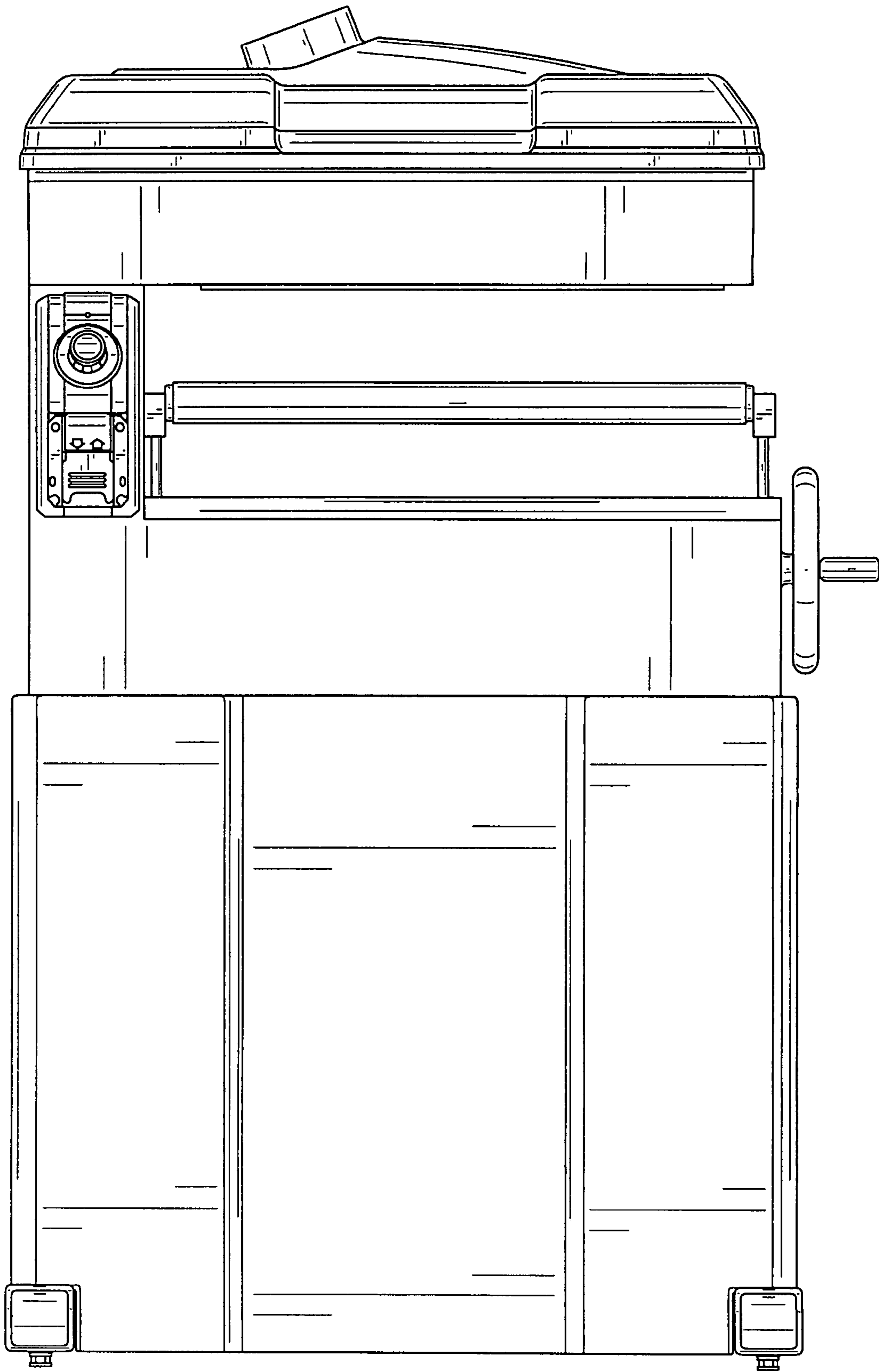


FIG. 2

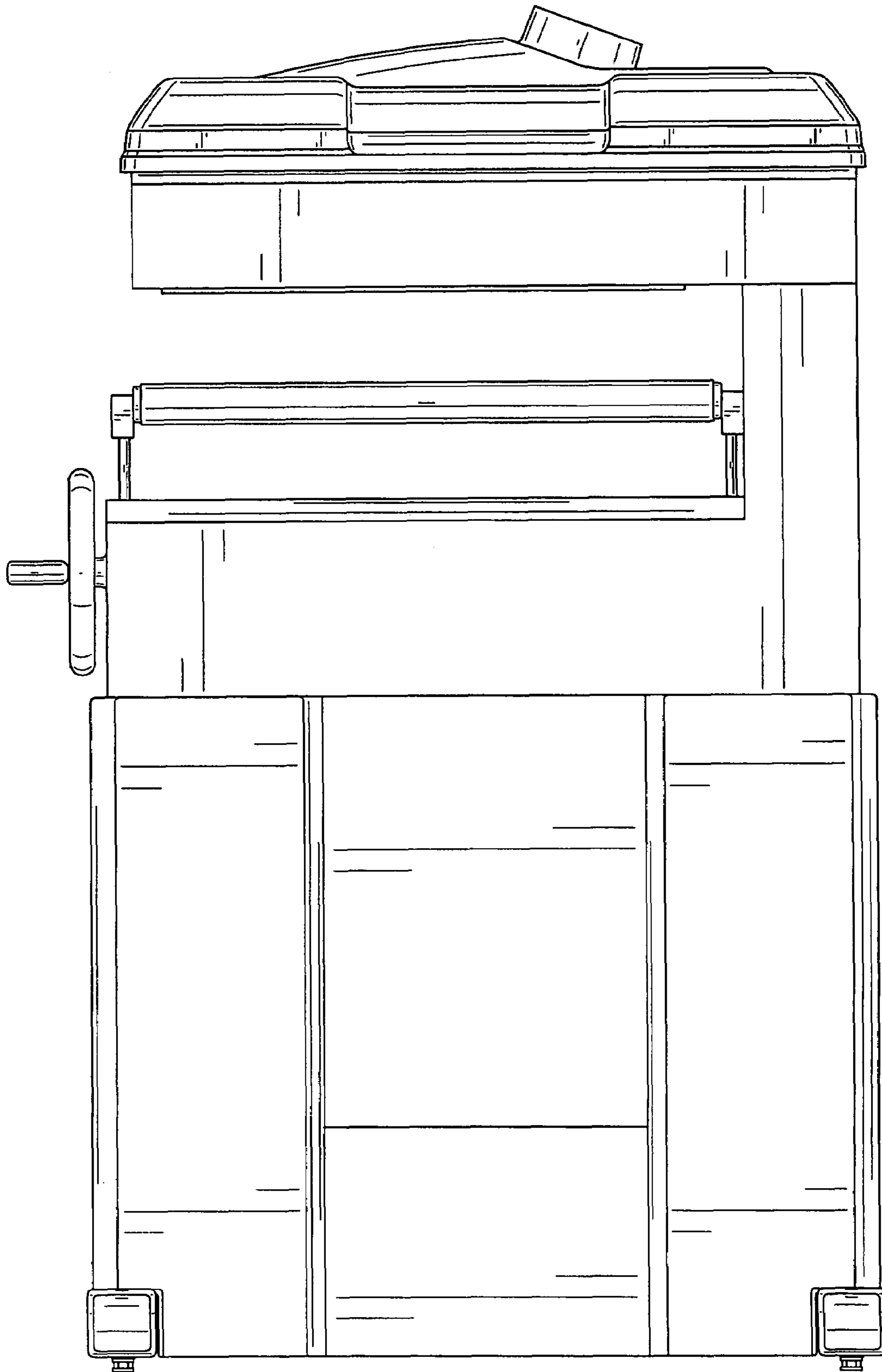


FIG. 3

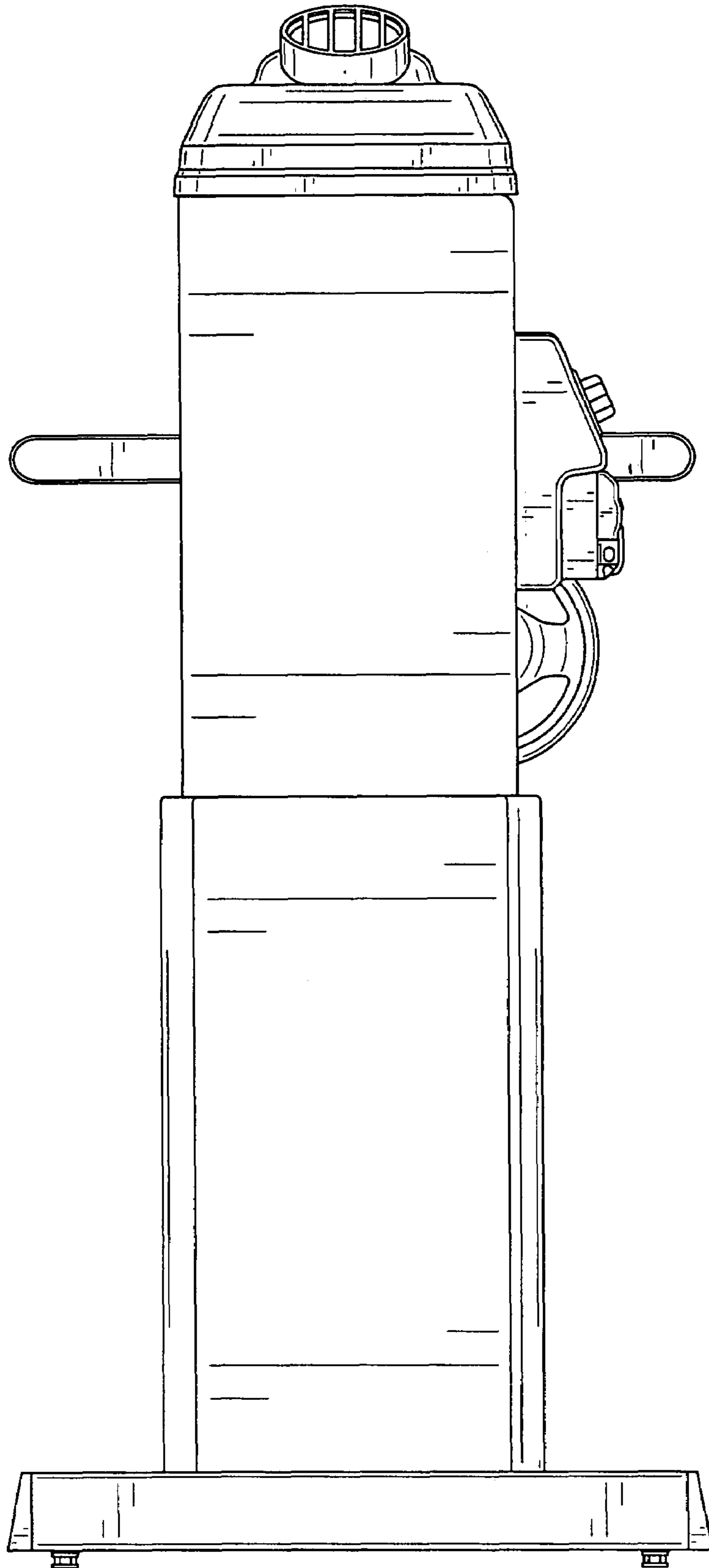


FIG. 4

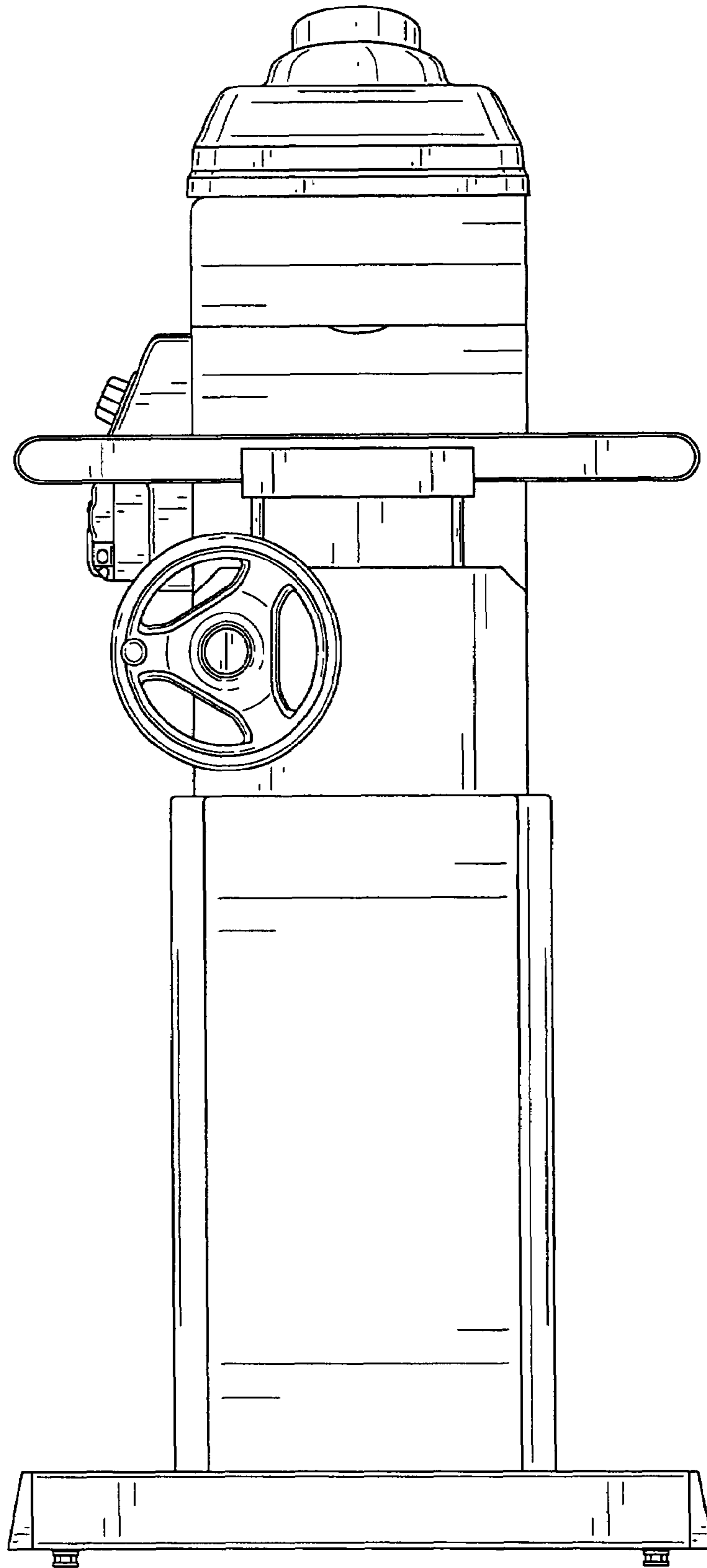


FIG. 5

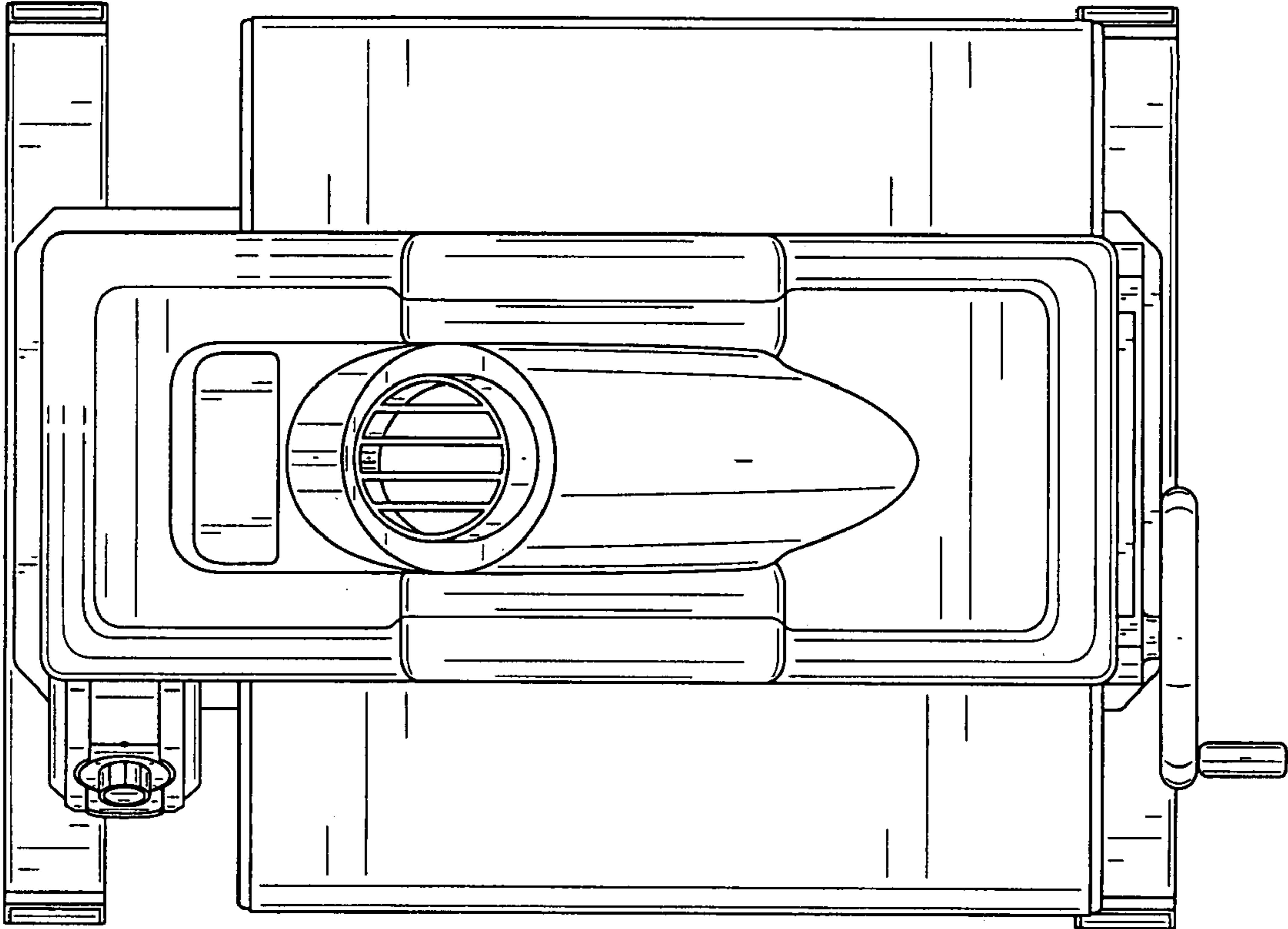


FIG. 6

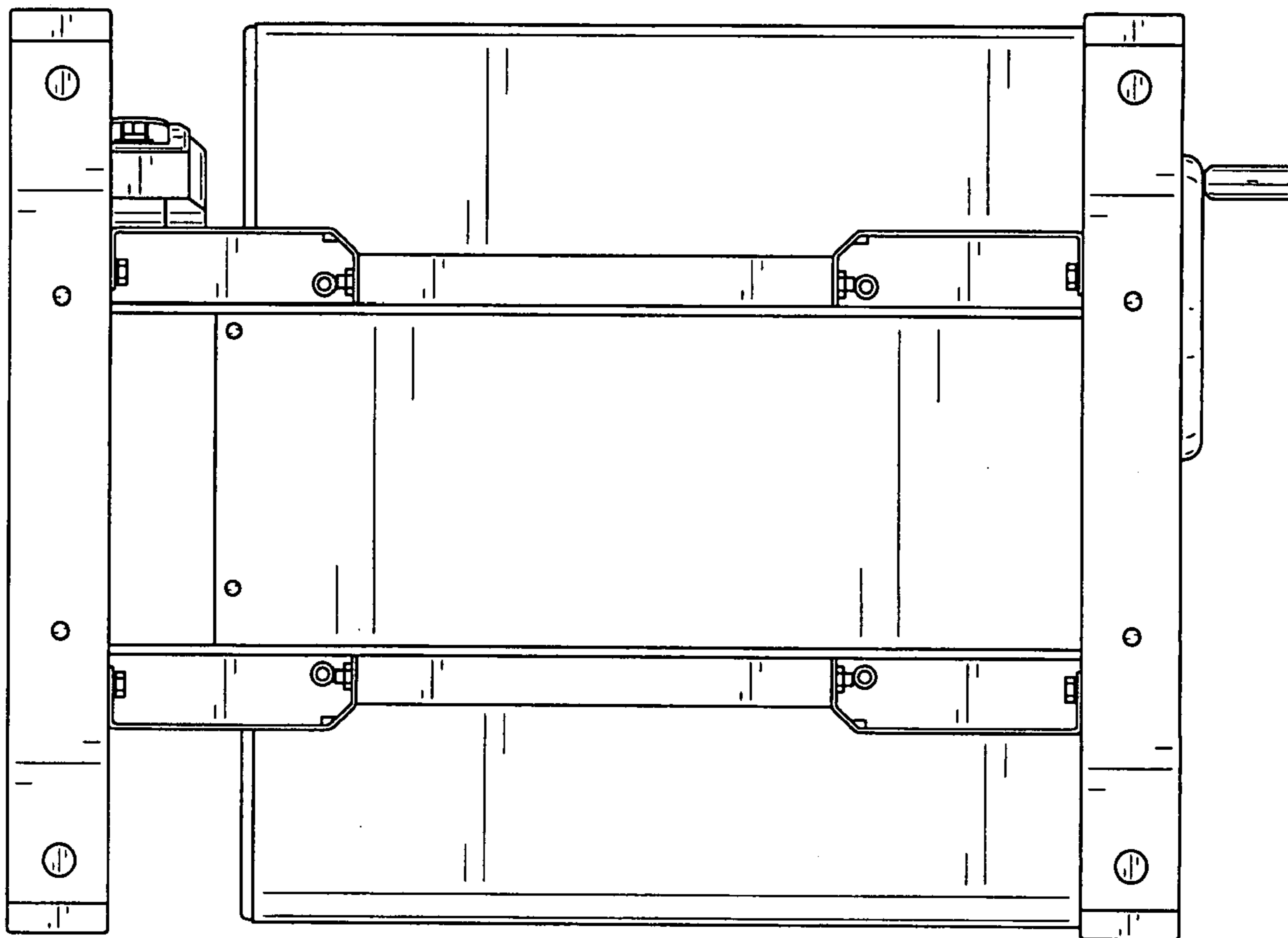


FIG. 7