



US00D562851S

(12) **United States Design Patent**
Leasure

(10) **Patent No.:** **US D562,851 S**

(45) **Date of Patent:** **** Feb. 26, 2008**

(54) **COMPRESSOR SHROUD**

Sears-Craftsman Tool.

(75) Inventor: **Jeremy D. Leasure**, Jackson, TN (US)

* cited by examiner

(73) Assignee: **Black & Decker Inc.**, Newark, DE (US)

Primary Examiner—Ralf Seifert

(74) *Attorney, Agent, or Firm*—Scott B. Markow

(**) Term: **14 Years**

(21) Appl. No.: **29/256,852**

(57) **CLAIM**

(22) Filed: **Mar. 24, 2006**

The ornamental design for a compressor shroud, as shown and described.

(51) **LOC (8) Cl.** **15-02**

(52) **U.S. Cl.** **D15/9**

(58) **Field of Classification Search** D15/7-9;
D23/232, 231; 417/359, 415-416, 410.1,
417/321, 265, 405

See application file for complete search history.

DESCRIPTION

FIG. 1 is a front perspective view of the compressor shroud.

FIG. 2 is a left side elevational view thereof.

FIG. 3 is a right side elevational view thereof.

FIG. 4 is a top view thereof.

FIG. 5 is a front elevational view thereof; and,

FIG. 6 is a rear elevational view thereof.

In the above drawings, any views not shown are not part of the design sought to be patented. In the above drawings, any broken line illustration is not part of the design sought to be patented.

(56) **References Cited**

U.S. PATENT DOCUMENTS

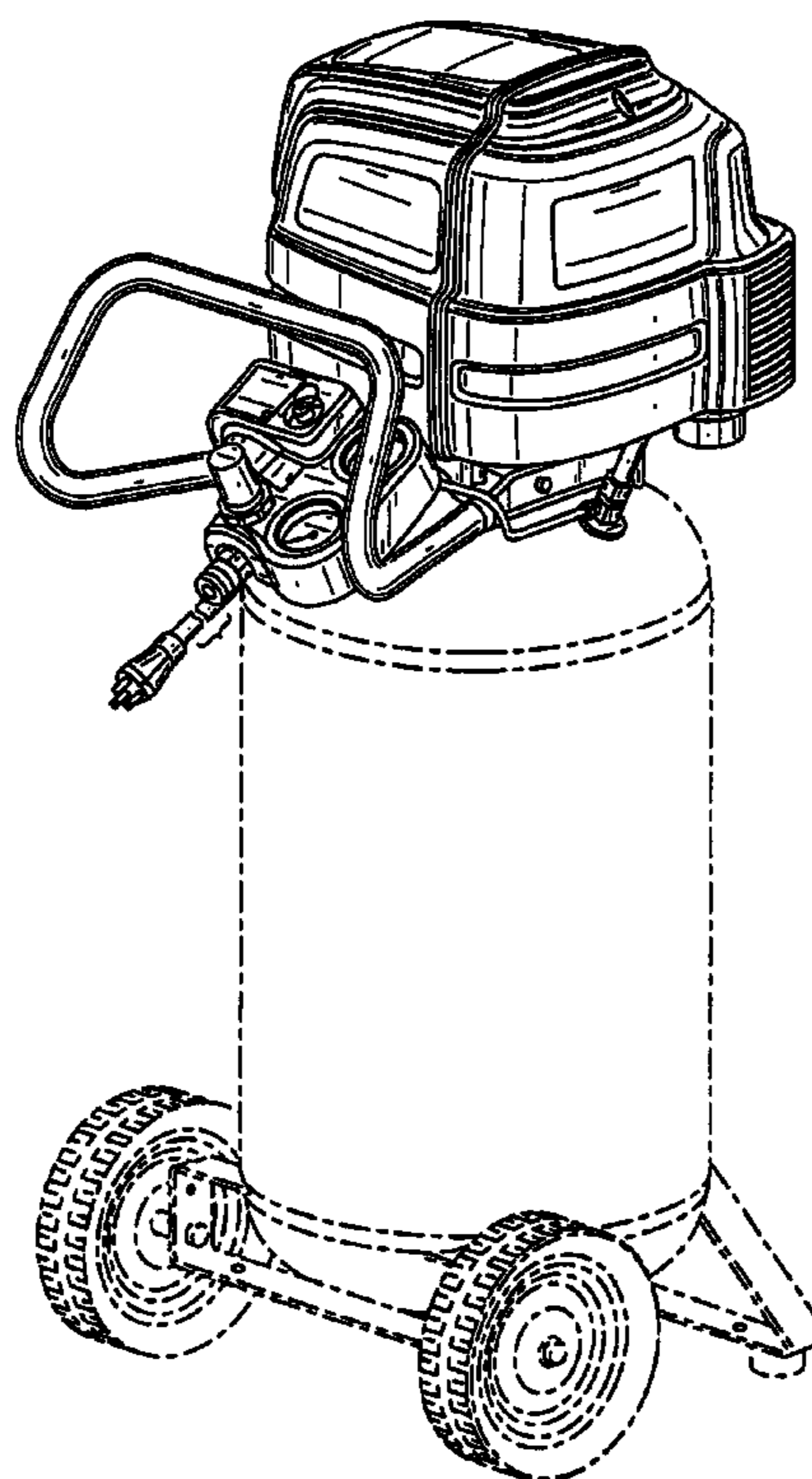
D60,090 S	*	12/1921	Forrest	D15/9
D446,792 S	*	8/2001	Matthew et al.	D15/9
D508,497 S	*	8/2005	Leasure et al.	D15/9
D519,126 S	*	4/2006	Leasure et al.	D15/9

OTHER PUBLICATIONS

Sears-Craftsman 33 gal. Air Compressor, 2 hp, Horizontal Tank, Oil Free Pump.

Sears-Craftsman 20 gal. Wet-Dry Vac, 6.5 Peak hp.

1 Claim, 6 Drawing Sheets



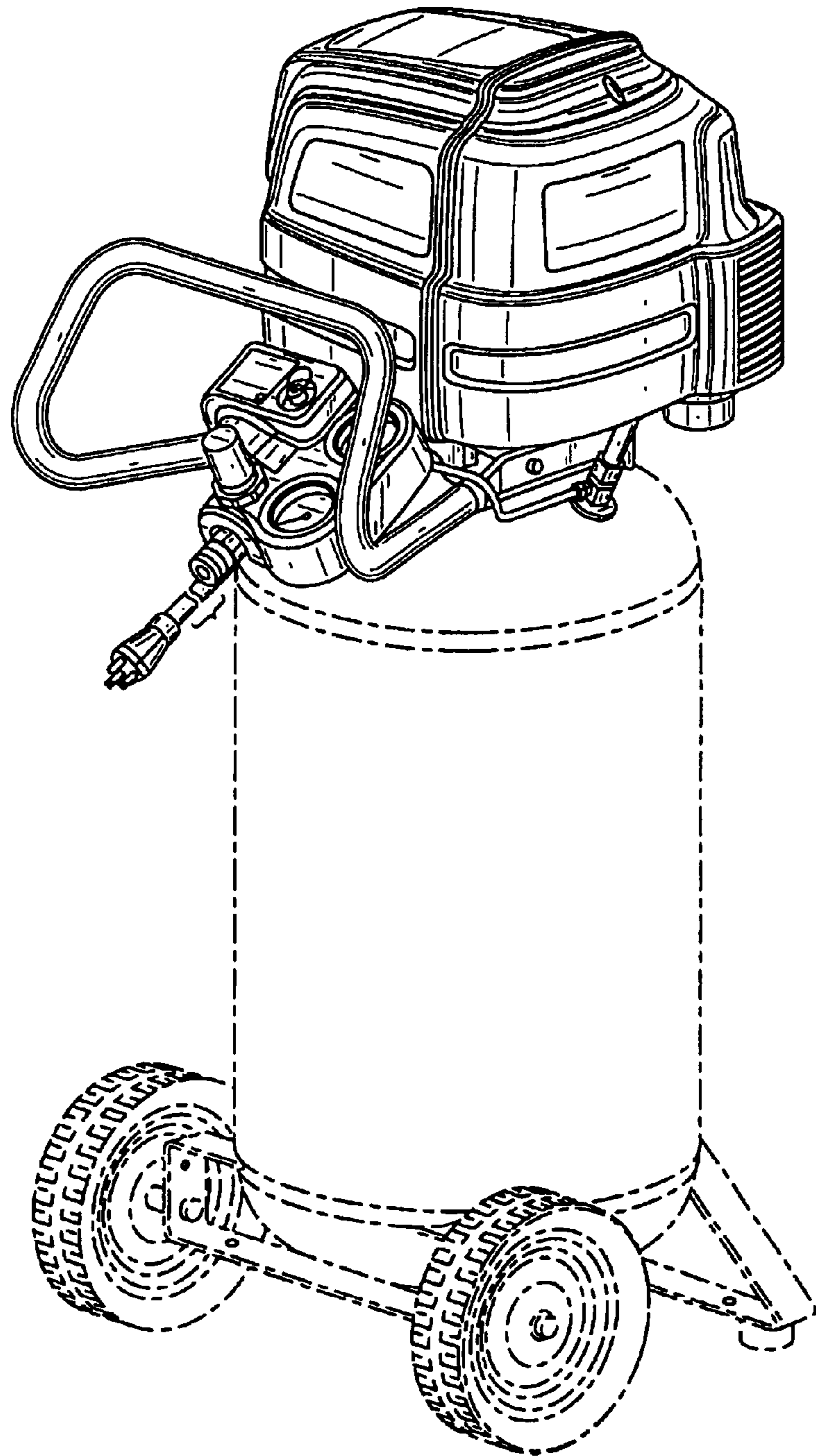


FIG. 1

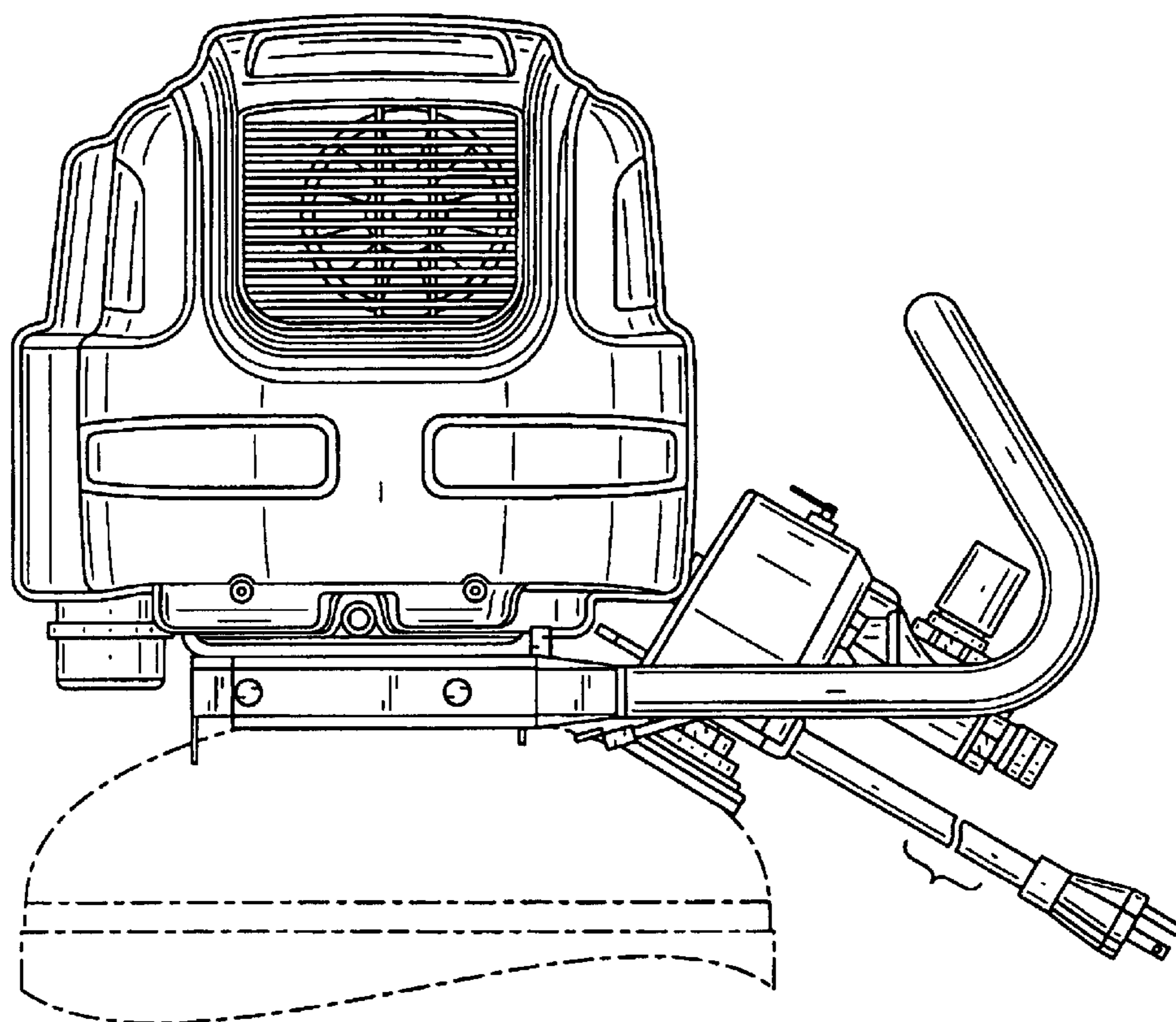


FIG. 2

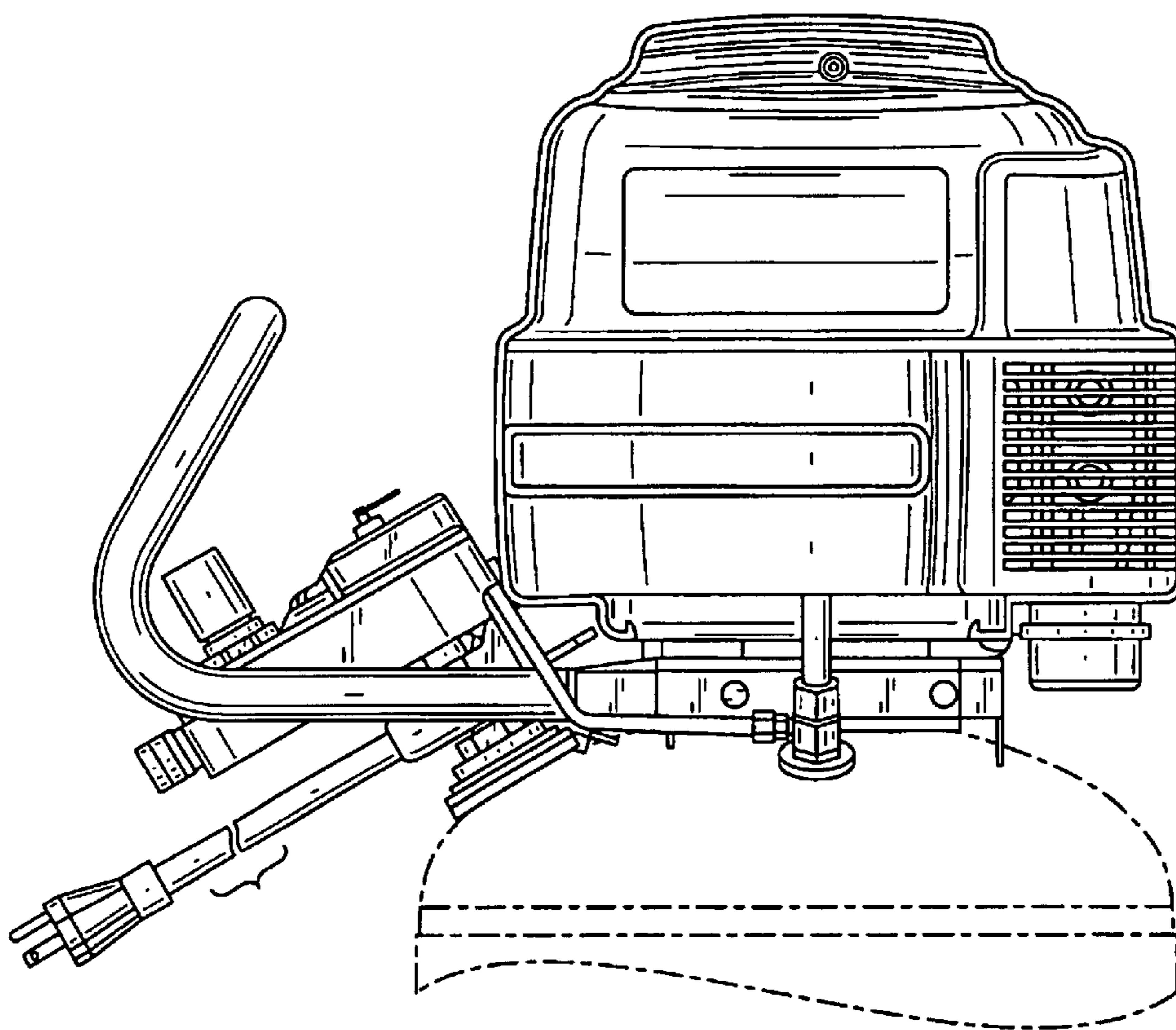


FIG. 3

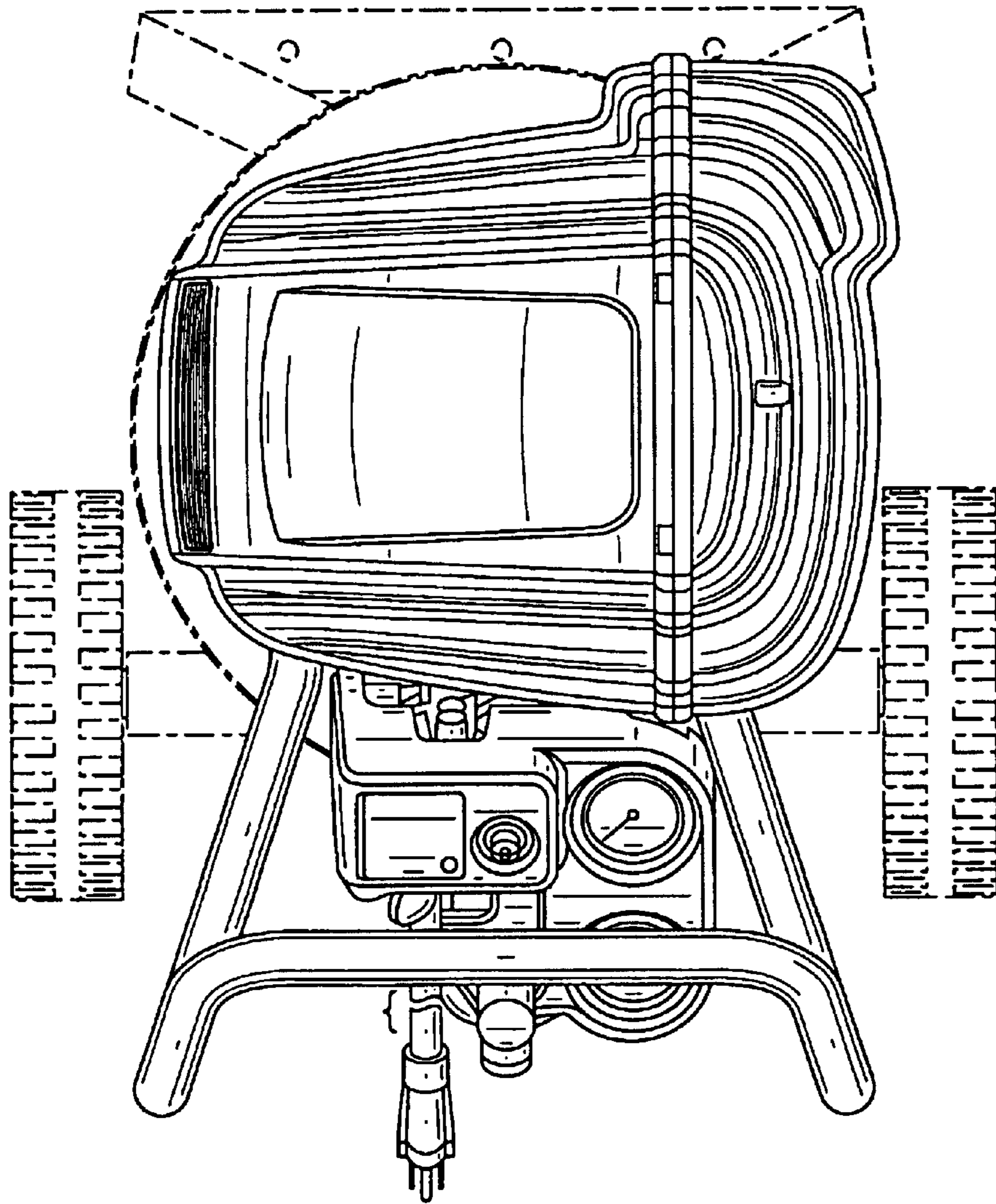


FIG. 4

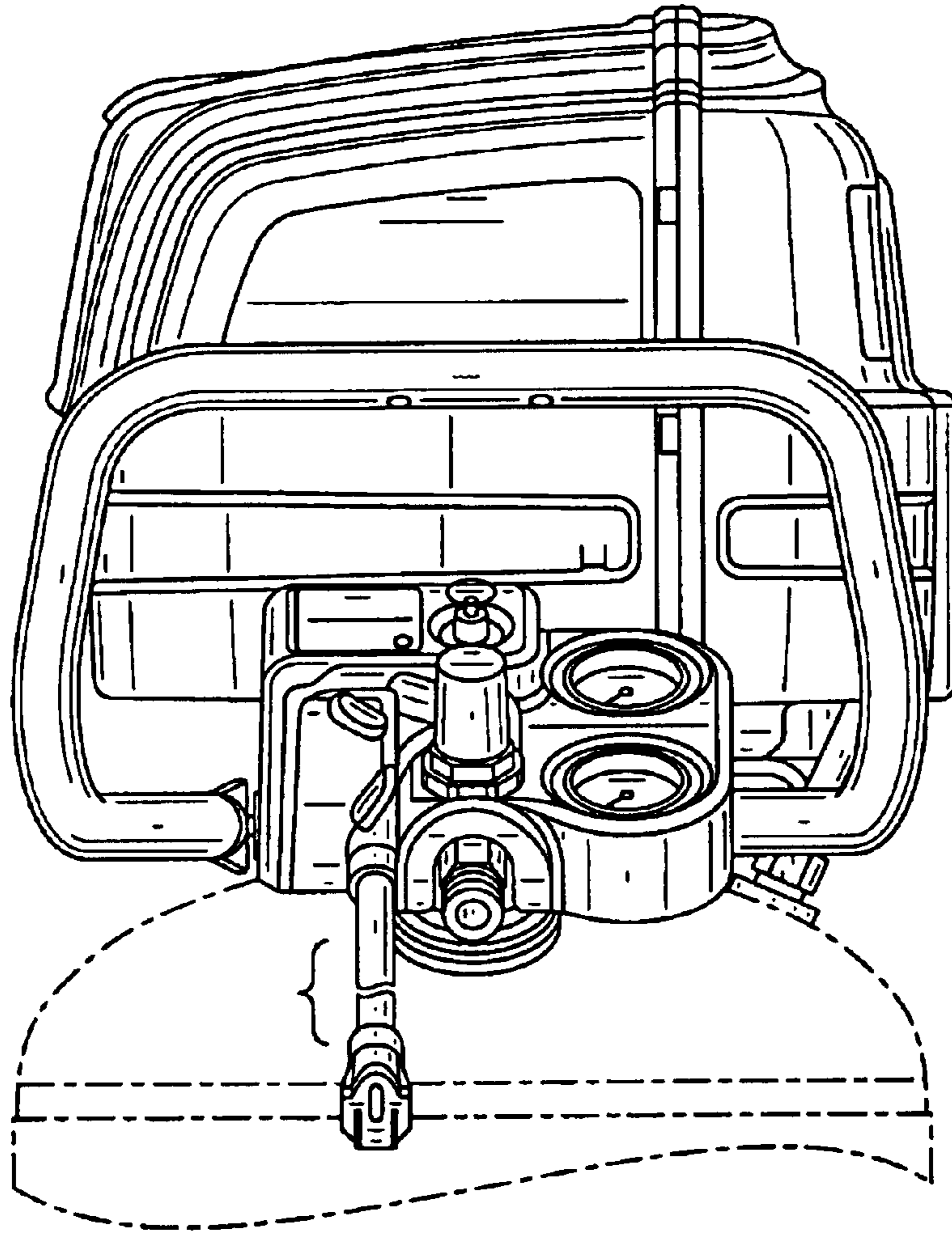


FIG. 5

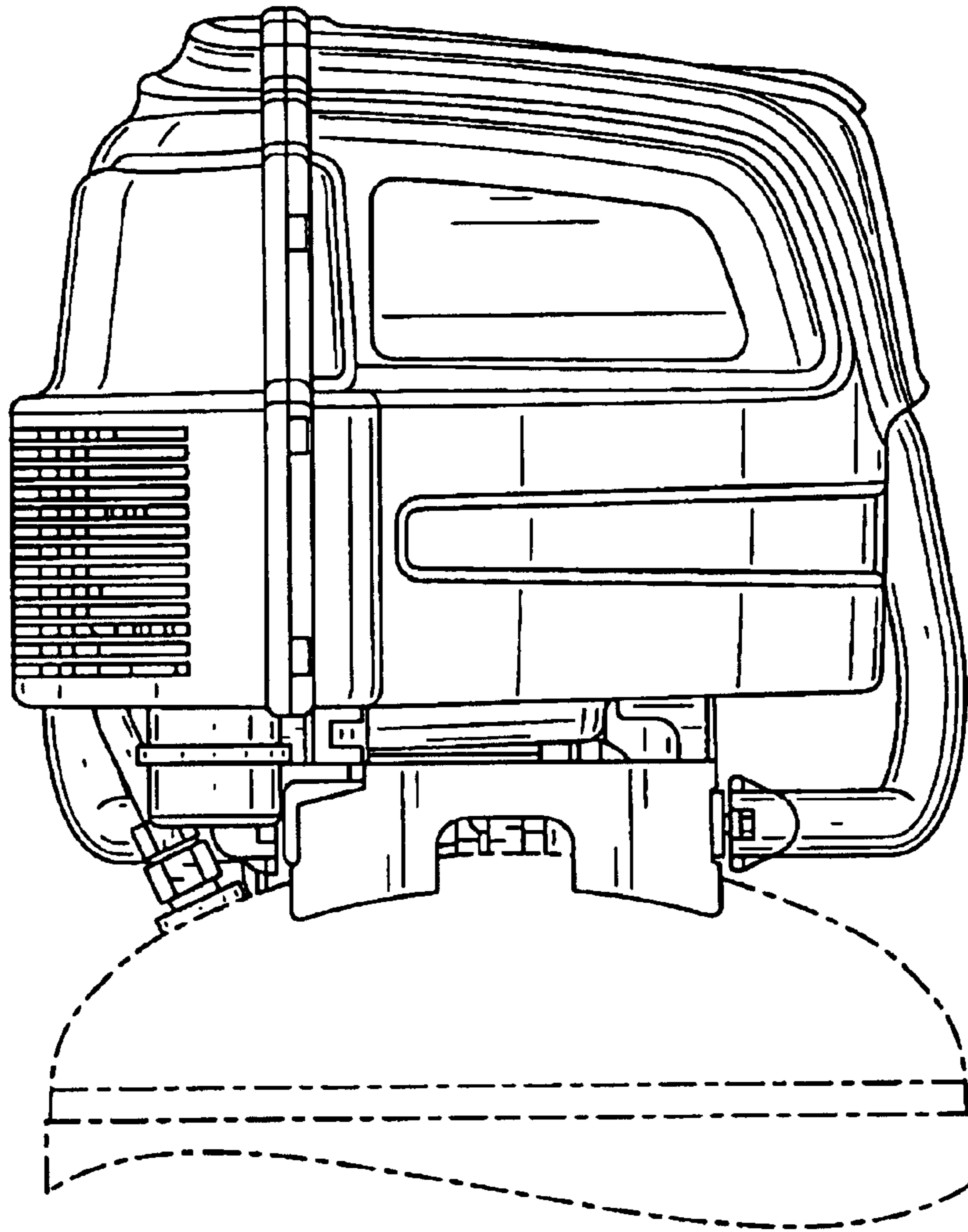


FIG. 6