

US00D562850S

(12) **United States Design Patent**  
**Ogawa et al.**

(10) **Patent No.:** **US D562,850 S**  
(45) **Date of Patent:** **\*\* Feb. 26, 2008**

(54) **MAGNETIC VALVE UNIT FOR A FUEL INJECTION PUMP**

(75) Inventors: **Hisao Ogawa**, Kanagawa-ken (JP);  
**Takashi Kaneko**, Kanagawa-ken (JP)

(73) Assignee: **Mitsubishi Heavy Industries, Ltd.**,  
Tokyo (JP)

(\*\*) Term: **14 Years**

(21) Appl. No.: **29/233,502**

(22) Filed: **Jul. 6, 2005**

(30) **Foreign Application Priority Data**

Jan. 7, 2005 (JP) ..... 2005-000111

(51) **LOC (8) Cl.** ..... **15-02**

(52) **U.S. Cl.** ..... **D15/9**

(58) **Field of Classification Search** ..... D15/7-9;  
D23/232, 231; 417/359, 415-416, 410.1,  
417/321, 265, 405

See application file for complete search history.

(56) **References Cited**

**U.S. PATENT DOCUMENTS**

D392,649 S \* 3/1998 Plummer et al. .... D15/7  
D395,899 S \* 7/1998 Plummer et al. .... D15/7

D490,823 S \* 6/2004 Hsiao ..... D15/9  
D492,700 S \* 7/2004 Hsiao ..... D15/7  
D496,670 S \* 9/2004 Ohnishi ..... D15/7  
D498,482 S \* 11/2004 Hsiao ..... D15/9  
D502,709 S \* 3/2005 Hsiao ..... D15/9  
D526,665 S \* 8/2006 Hsiao ..... D15/9  
D527,025 S \* 8/2006 Hsiao ..... D15/9  
D531,643 S \* 11/2006 Tischler et al. .... D15/7

\* cited by examiner

*Primary Examiner*—Ralf Seifert

(74) *Attorney, Agent, or Firm*—Birch, Stewart, Kolasch &  
Birch, LLP

(57) **CLAIM**

The ornamental design for a magnetic valve unit for a fuel injection pump, as shown and described.

**DESCRIPTION**

FIG. 1 is a front view of the magnetic valve unit for a fuel injection pump showing our new design:

FIG. 2 is a rear view thereof;

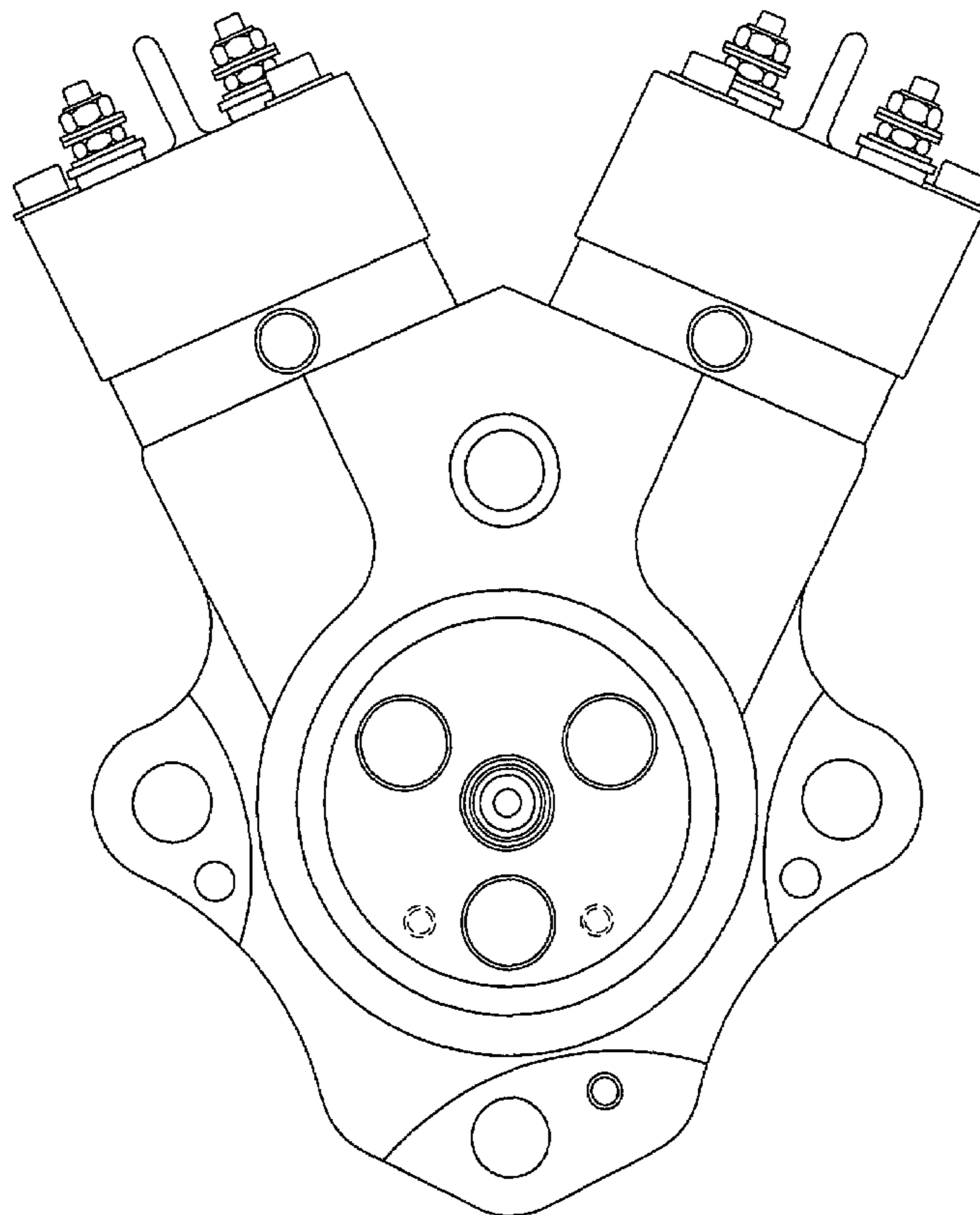
FIG. 3 is a right side view thereof;

FIG. 4 is a left side view thereof;

FIG. 5 is a top(plan) view thereof; and,

FIG. 6 is a bottom view thereof.

**1 Claim, 6 Drawing Sheets**



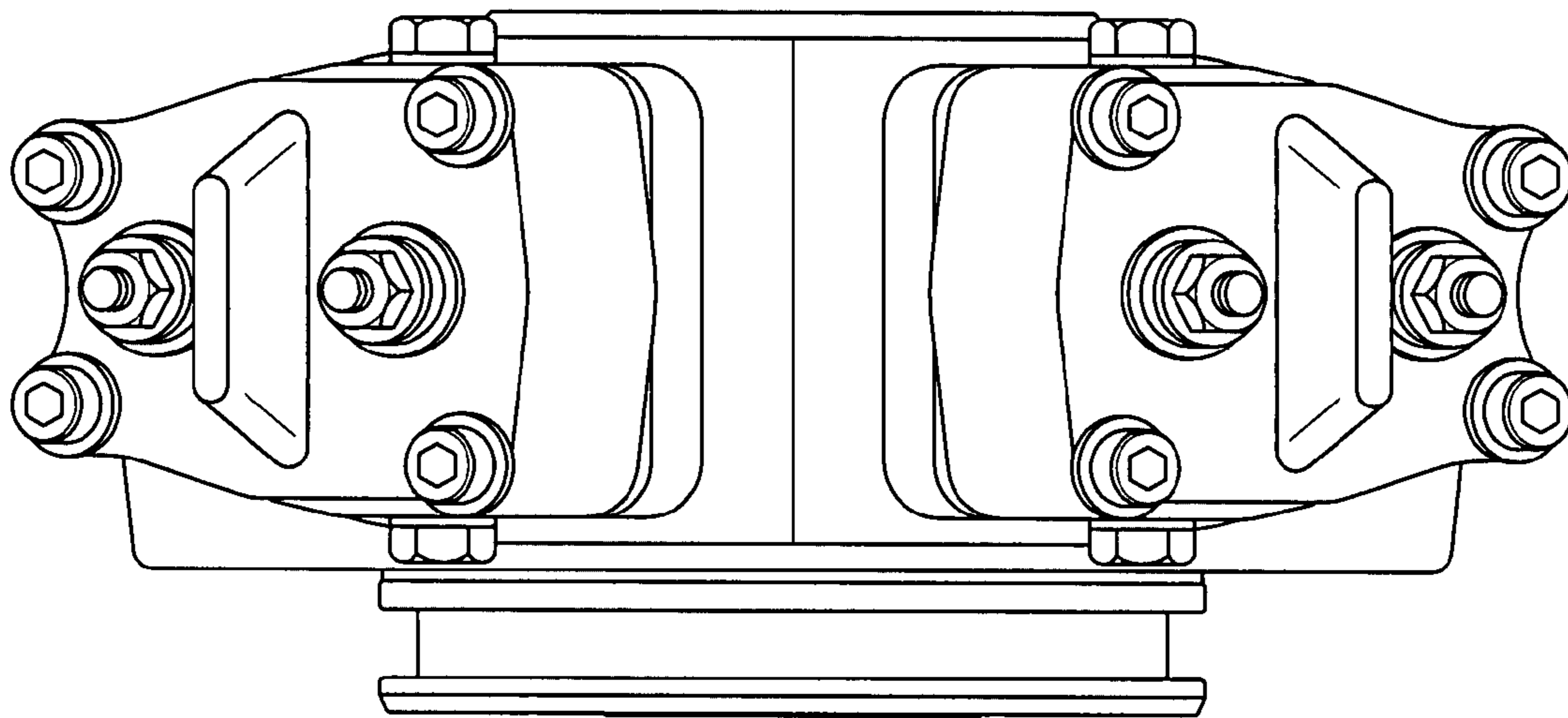


FIG. 1

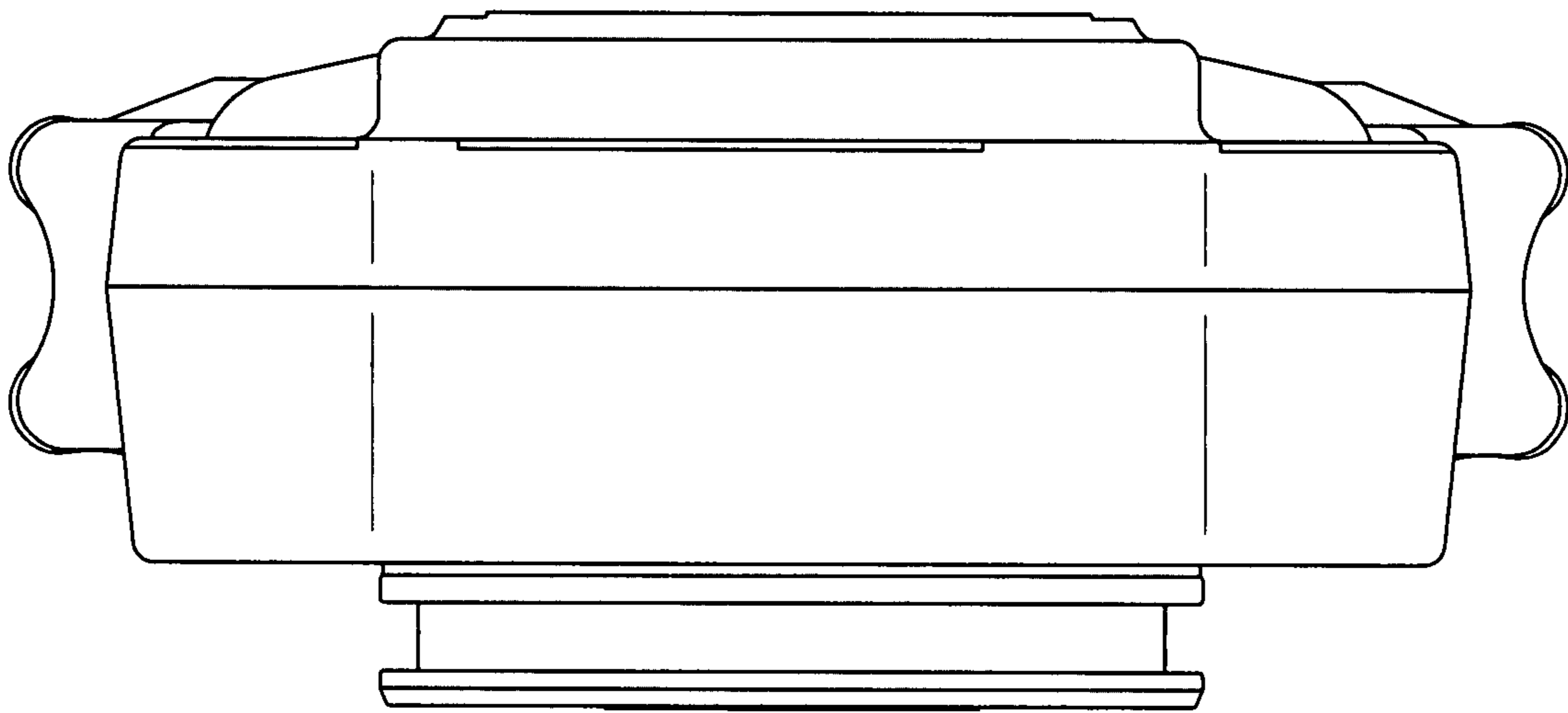


FIG.2

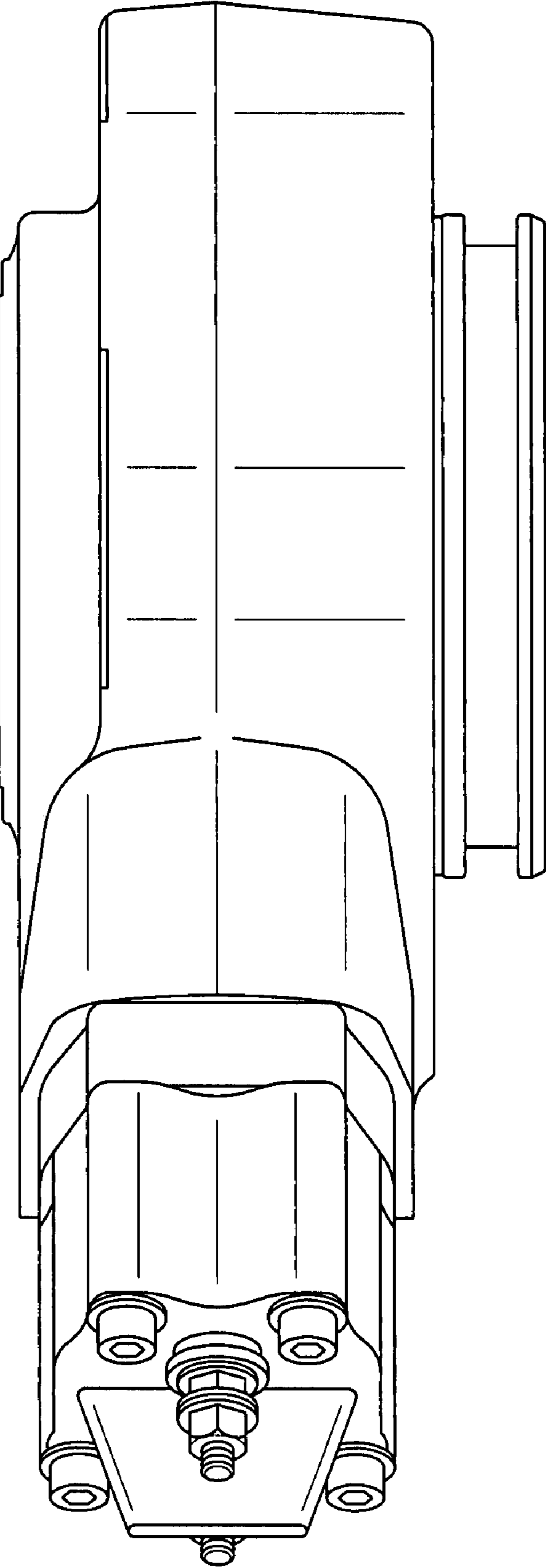


FIG.3

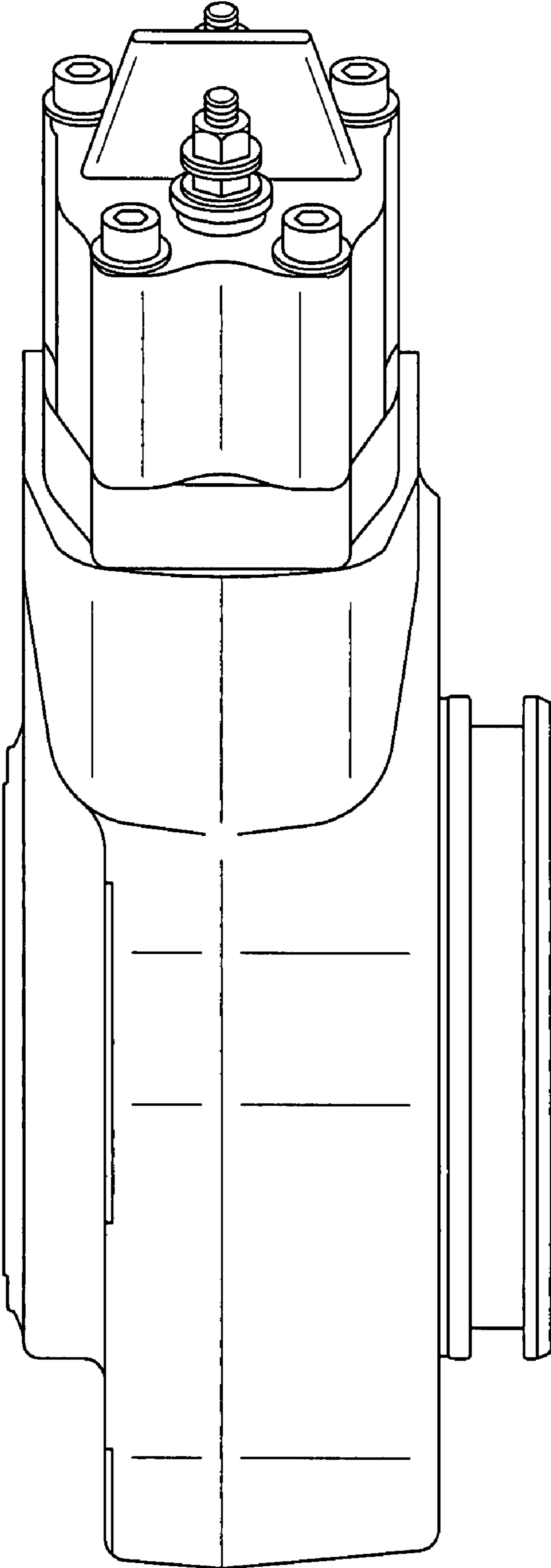


FIG.4

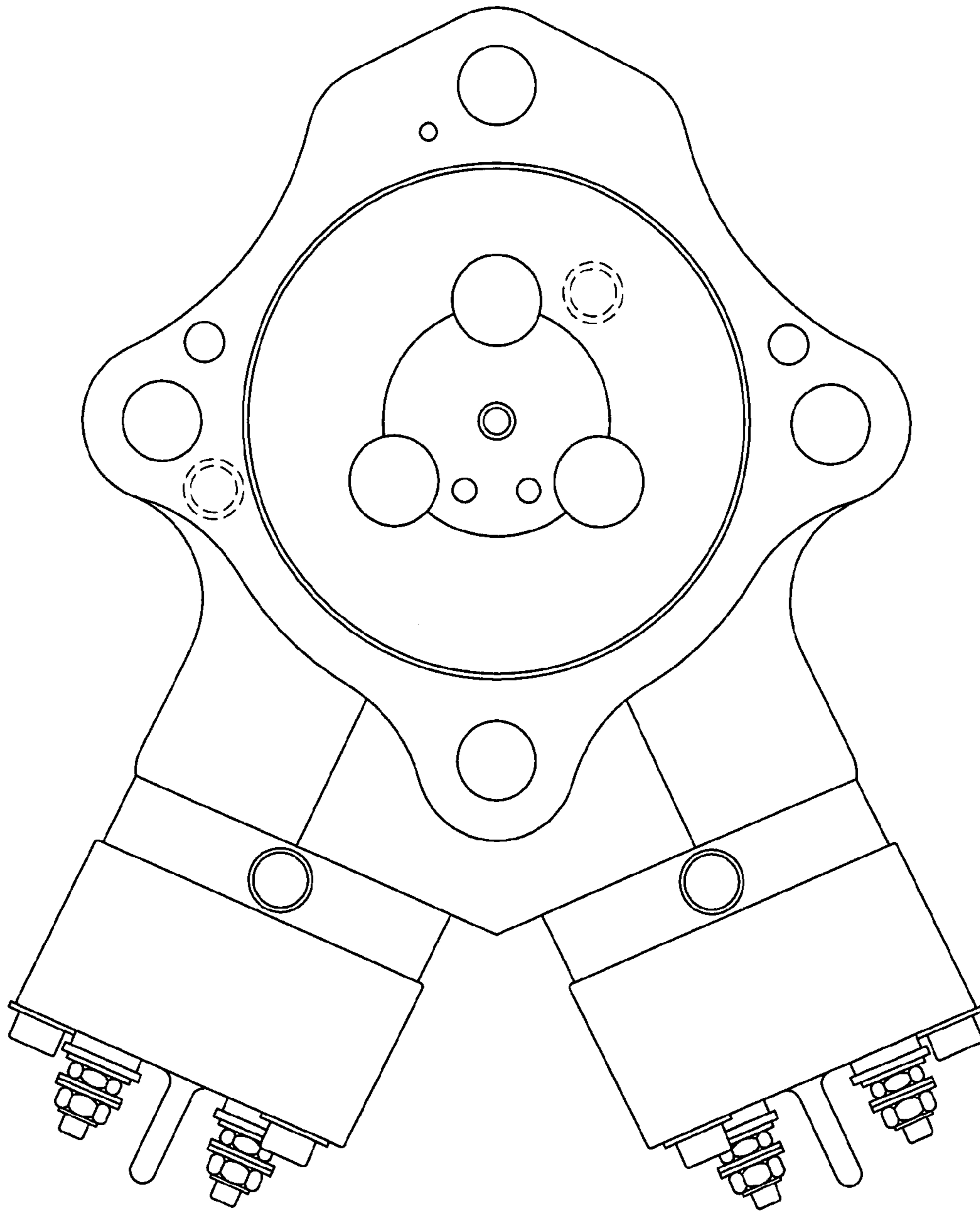


FIG.5

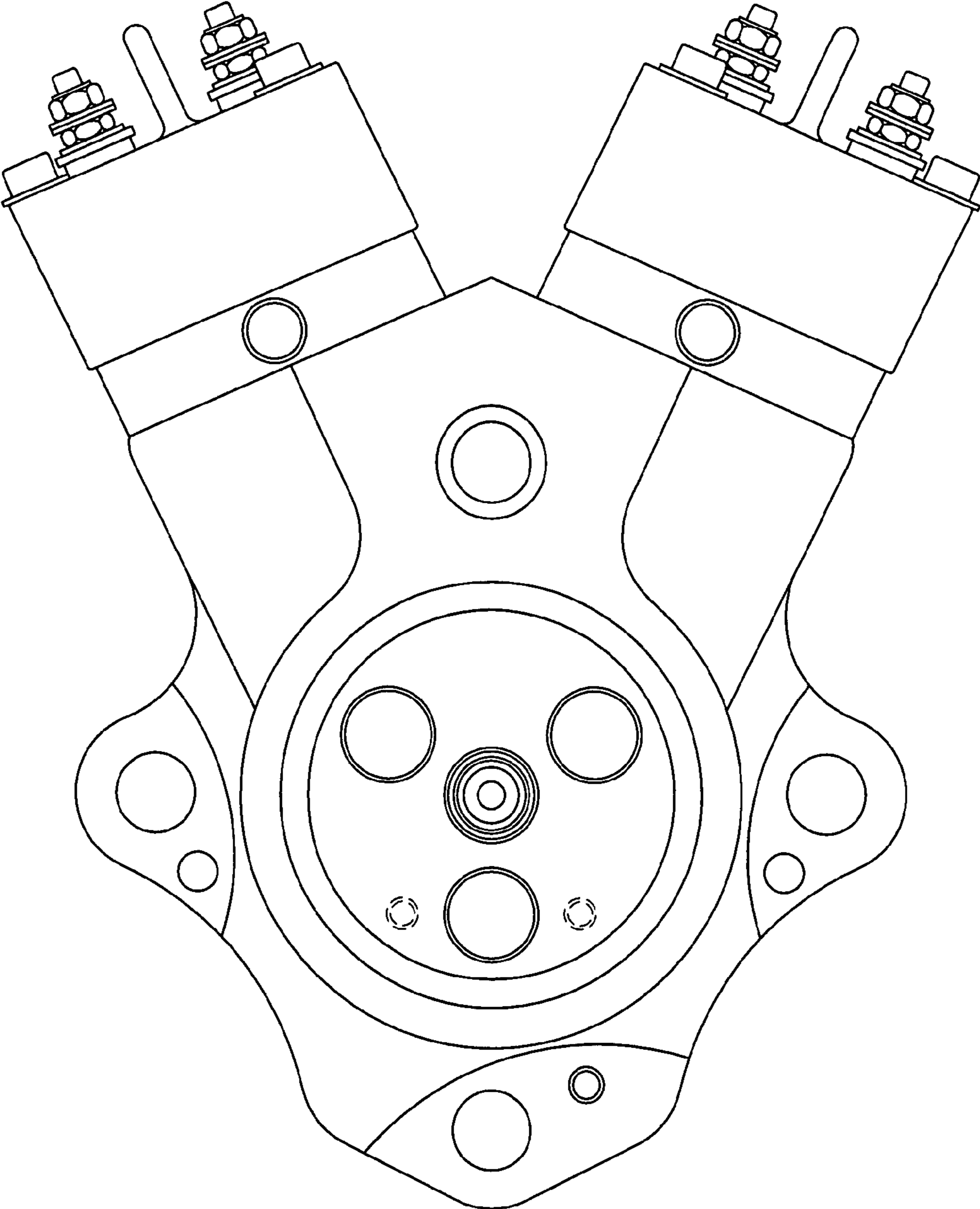


FIG.6