



US00D562849S

(12) **United States Design Patent**
Buitenhuis et al.

(10) **Patent No.:** **US D562,849 S**

(45) **Date of Patent:** **** Feb. 26, 2008**

(54) **PUMP**

D450,327 S * 11/2001 Mori et al. D15/7
D466,522 S * 12/2002 Huang D15/7
D485,565 S * 1/2004 Martinello D15/7

(75) Inventors: **Arjan Theodoor Buitenhuis**, LM
Hengelo (NL); **Harm Jantinus Marcel Jager**, AG
Westerhaar (NL)

* cited by examiner

(73) Assignee: **Bredel Hose Pumps B.V.**, Delden (NL)

Primary Examiner—Ralf Seifert

(**) Term: **14 Years**

(74) *Attorney, Agent, or Firm*—MacMillan, Sobanski &
Todd, LLC

(21) Appl. No.: **29/262,148**

(57) **CLAIM**

(22) Filed: **Jun. 27, 2006**

The ornamental design for a pump, as shown.

Related U.S. Application Data

DESCRIPTION

(63) Continuation-in-part of application No. 29/178,506,
filed on Mar. 27, 2003, now abandoned.

FIG. 1 is a perspective view from the front of a first side of
a pump embodying my design.

(30) **Foreign Application Priority Data**

FIG. 2 is a side elevational view thereof.

Sep. 27, 2002 (GB) 3007352

FIG. 3 is a perspective view from the rear thereof.

(51) **LOC (8) Cl.** **15-02**

FIG. 4 is an enlarged perspective view of a portion of the
front thereof.

(52) **U.S. Cl.** **D15/7**

FIG. 5 is a further enlarged perspective view of a portion of
the front thereof.

(58) **Field of Classification Search** D15/7-9;
D23/232, 231; 417/359, 415-416, 410.1,
417/321, 265, 405

FIG. 6 is an enlarged perspective view of a portion of the
front thereof.

See application file for complete search history.

FIG. 7 is an enlarged perspective view of a portion of the
front thereof.

(56) **References Cited**

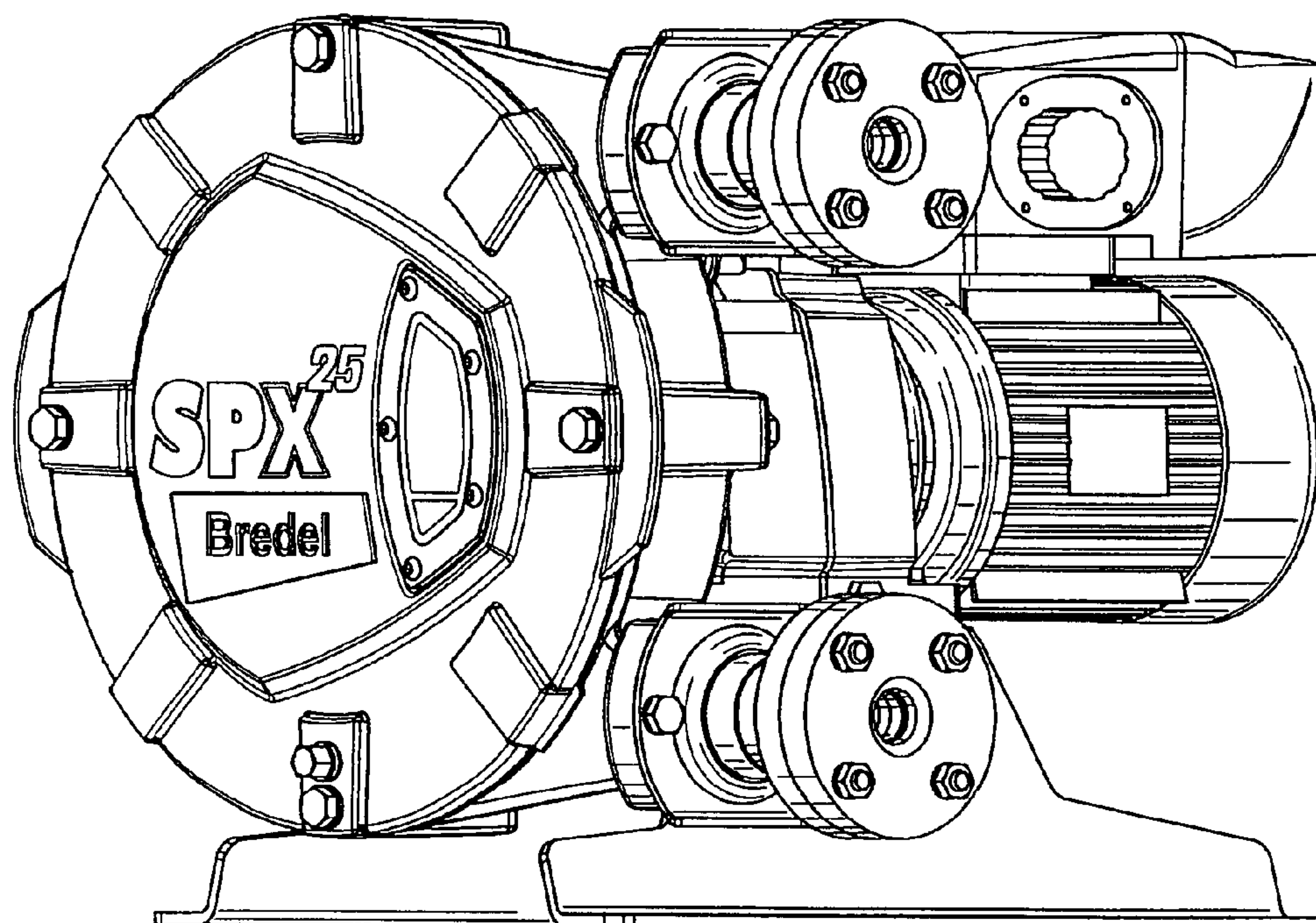
FIG. 8 is a perspective view from the rear of a portion of a
second side thereof; and,

U.S. PATENT DOCUMENTS

FIG. 9 is an enlarged view thereof.

D372,251 S * 7/1996 Bohncke D15/7
D372,719 S * 8/1996 Jensen D15/7
D447,148 S * 8/2001 Antony et al. D15/7

1 Claim, 9 Drawing Sheets



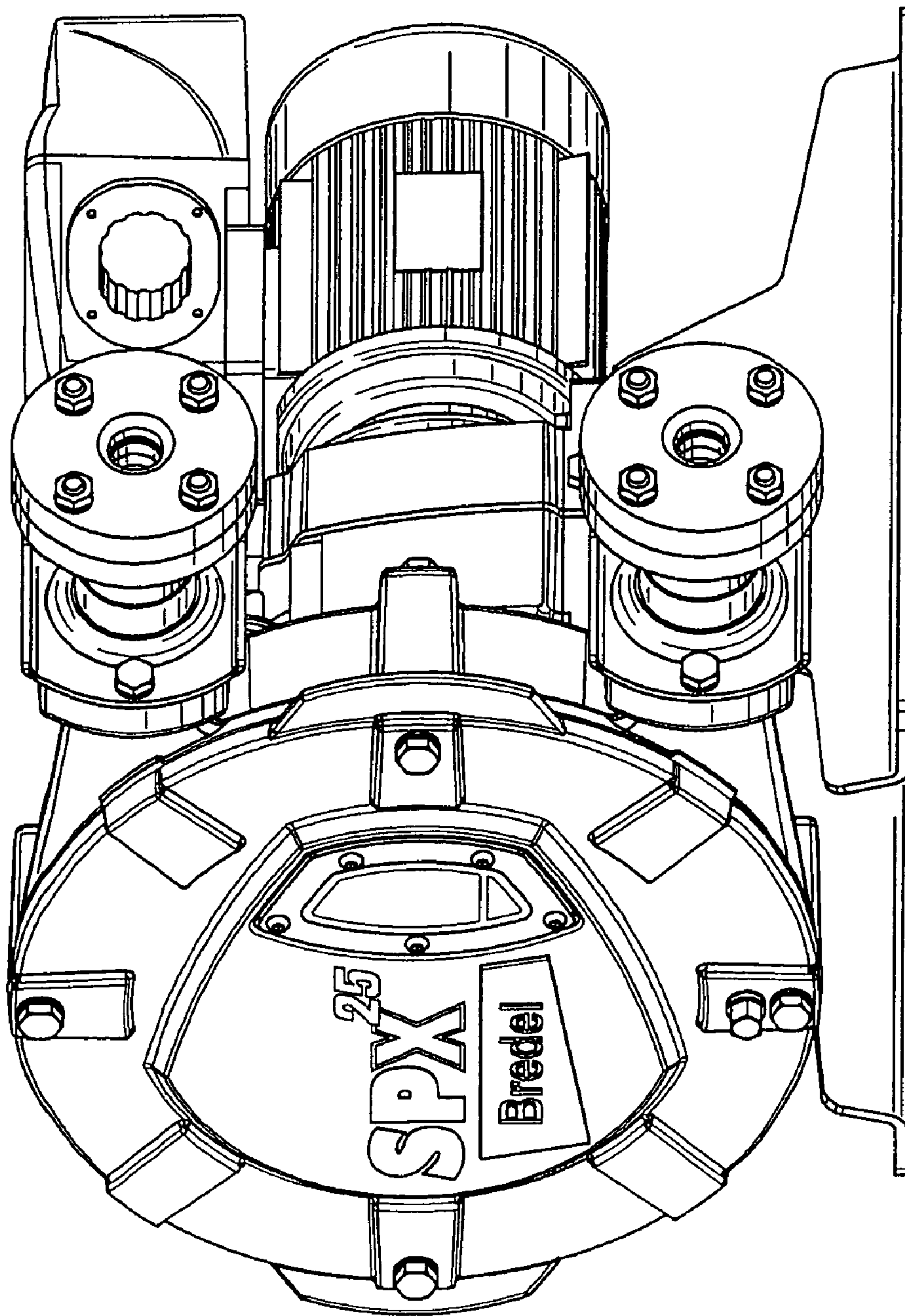


FIG. 1

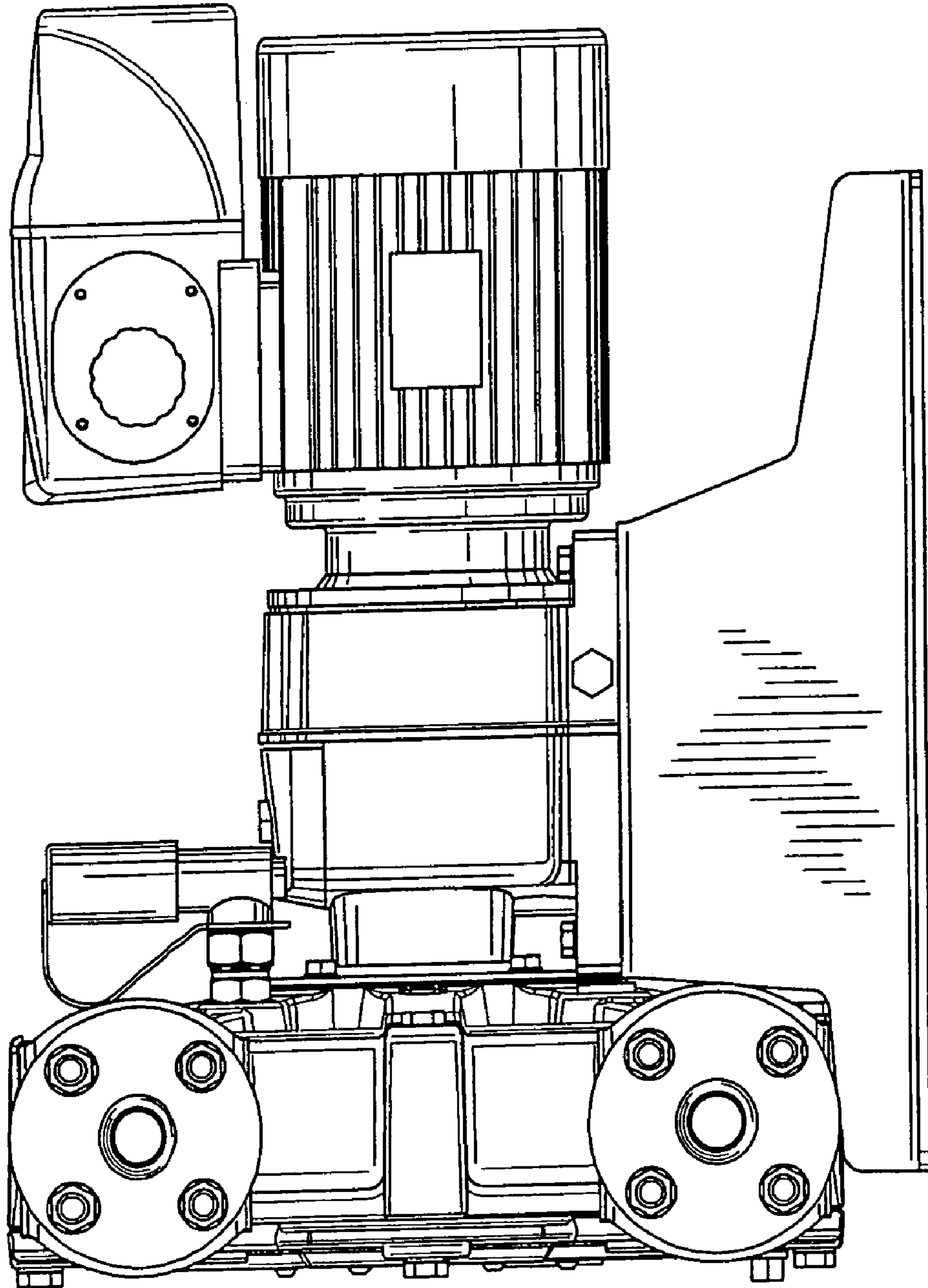


FIG. 2

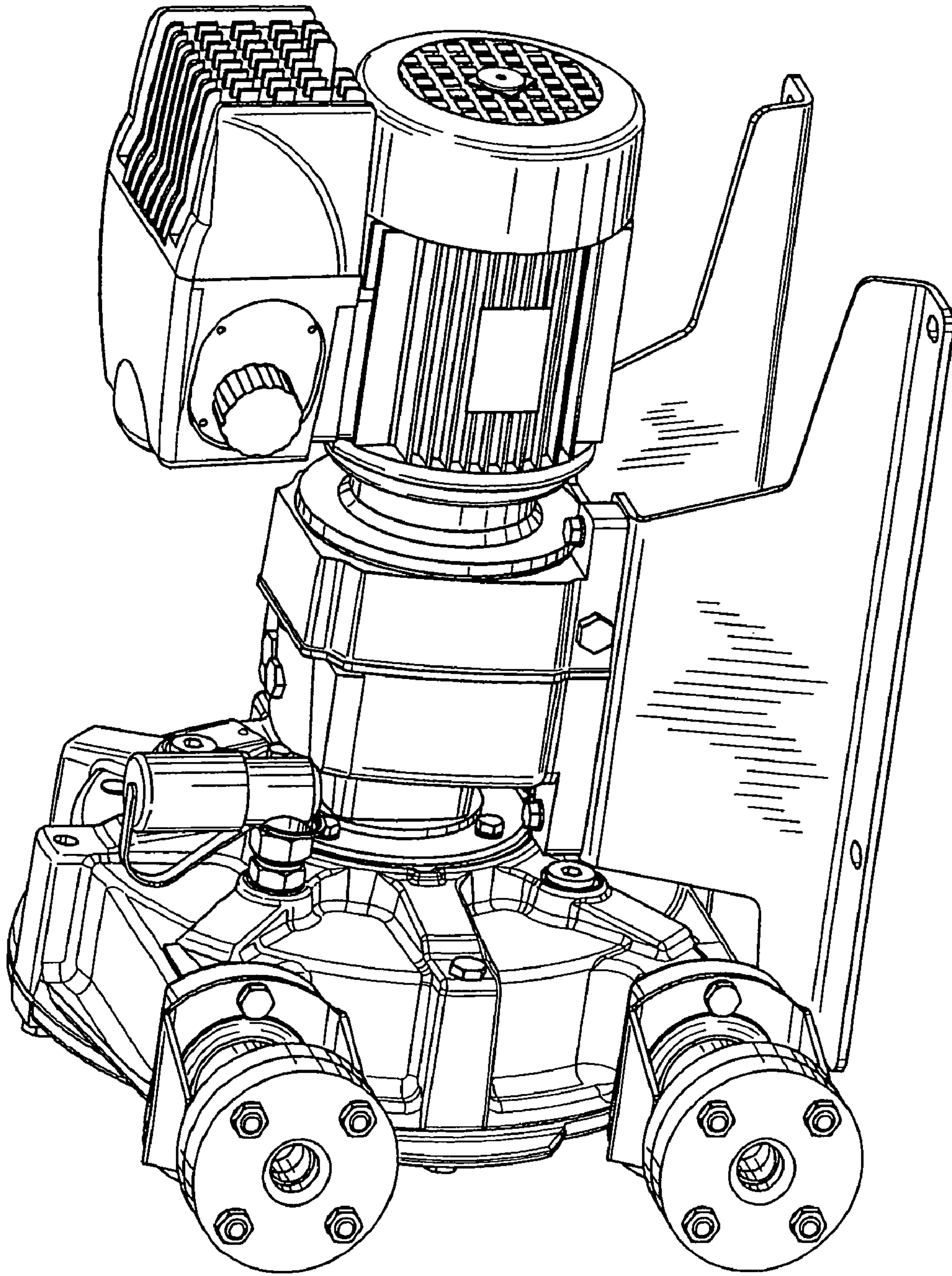


FIG. 3

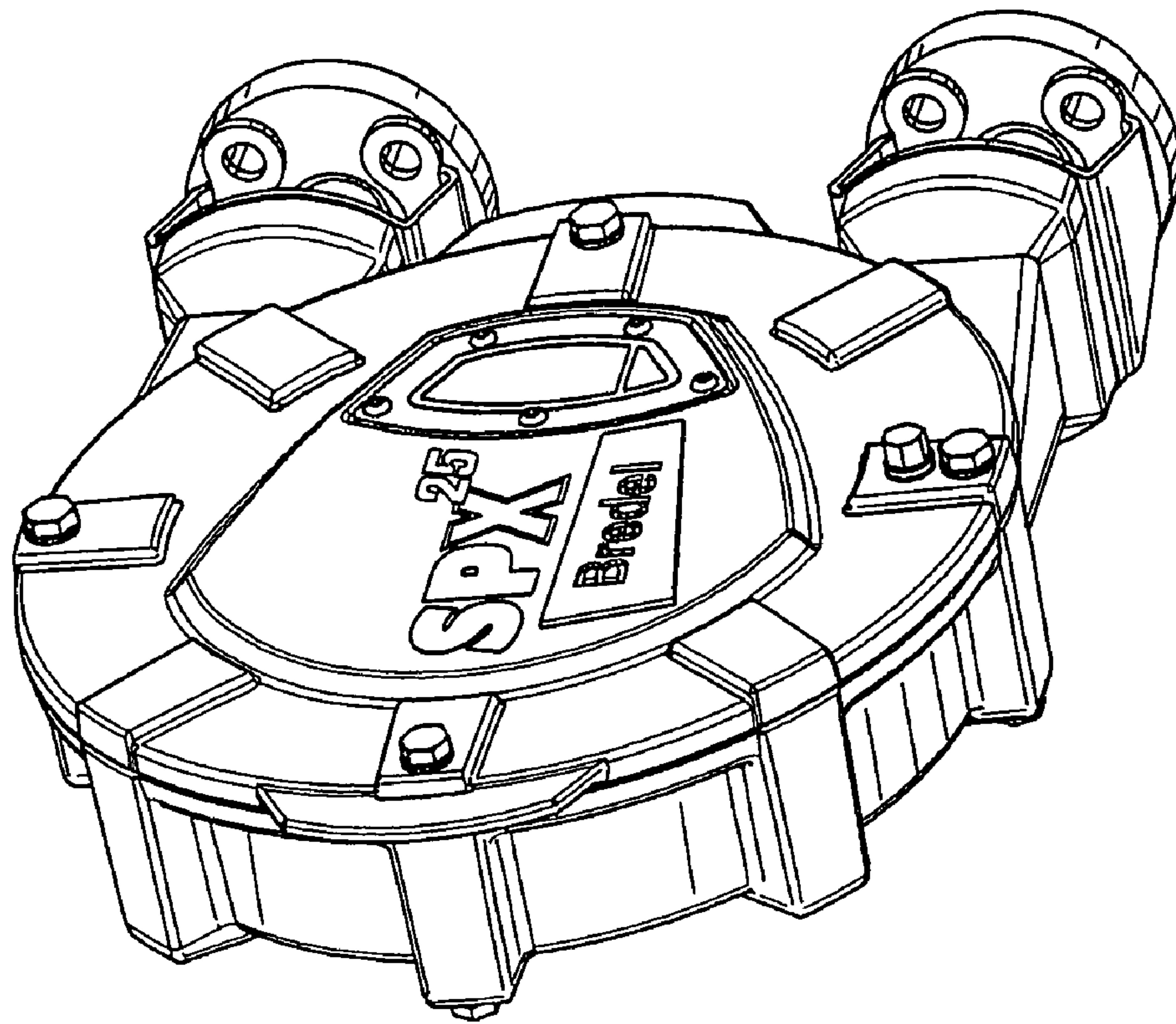
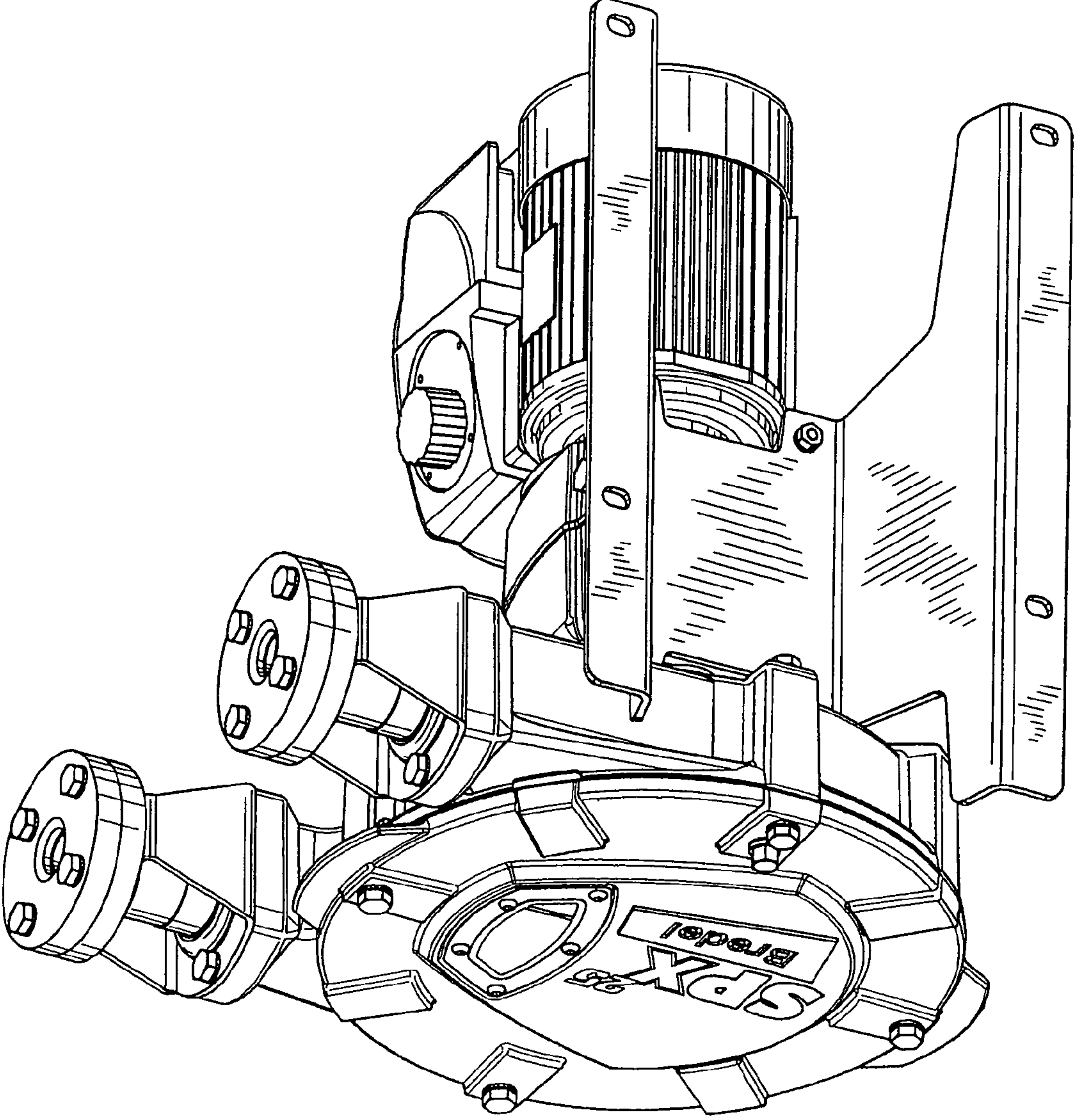


FIG. 4

FIG. 5



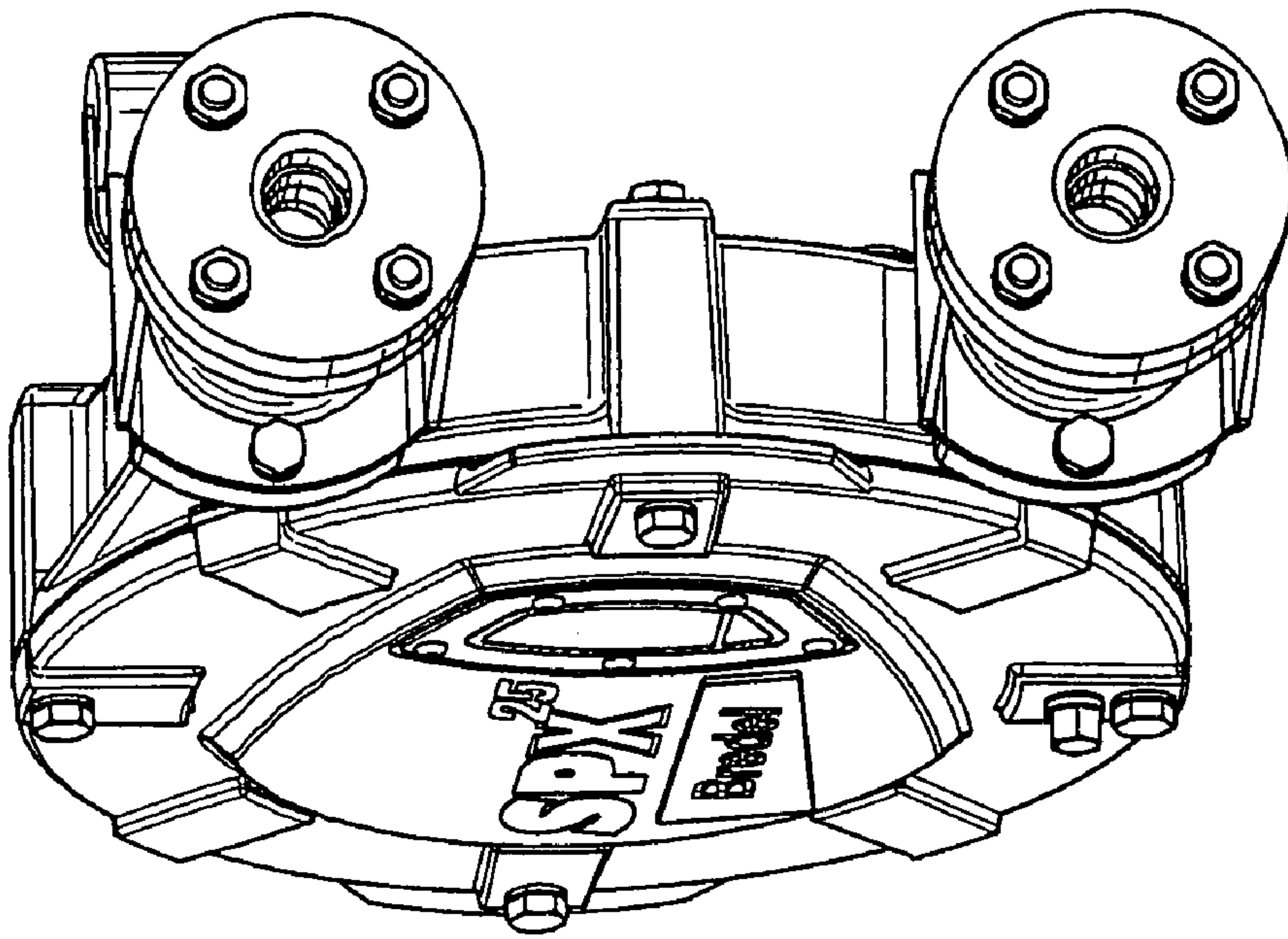


FIG. 6

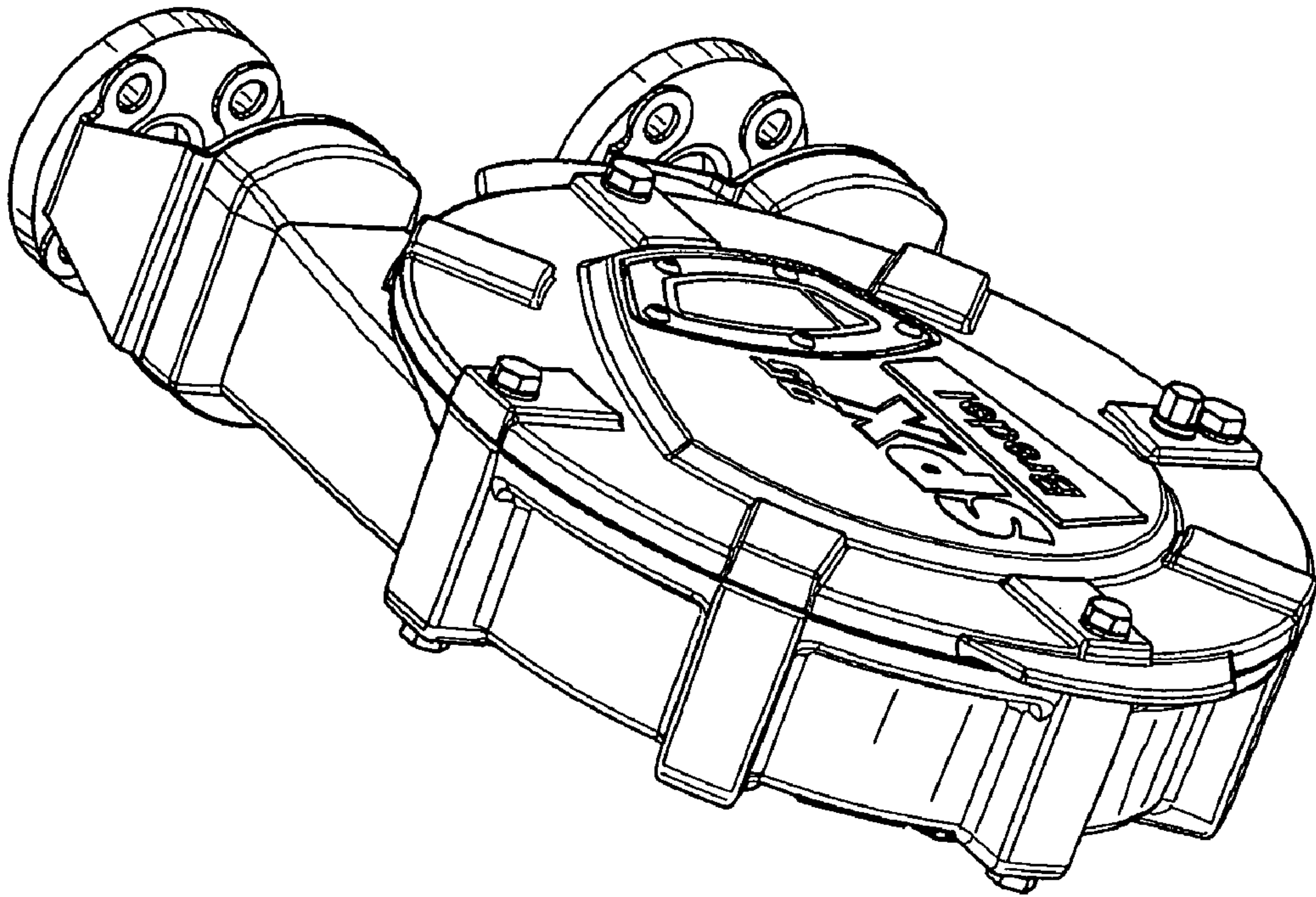


FIG. 7

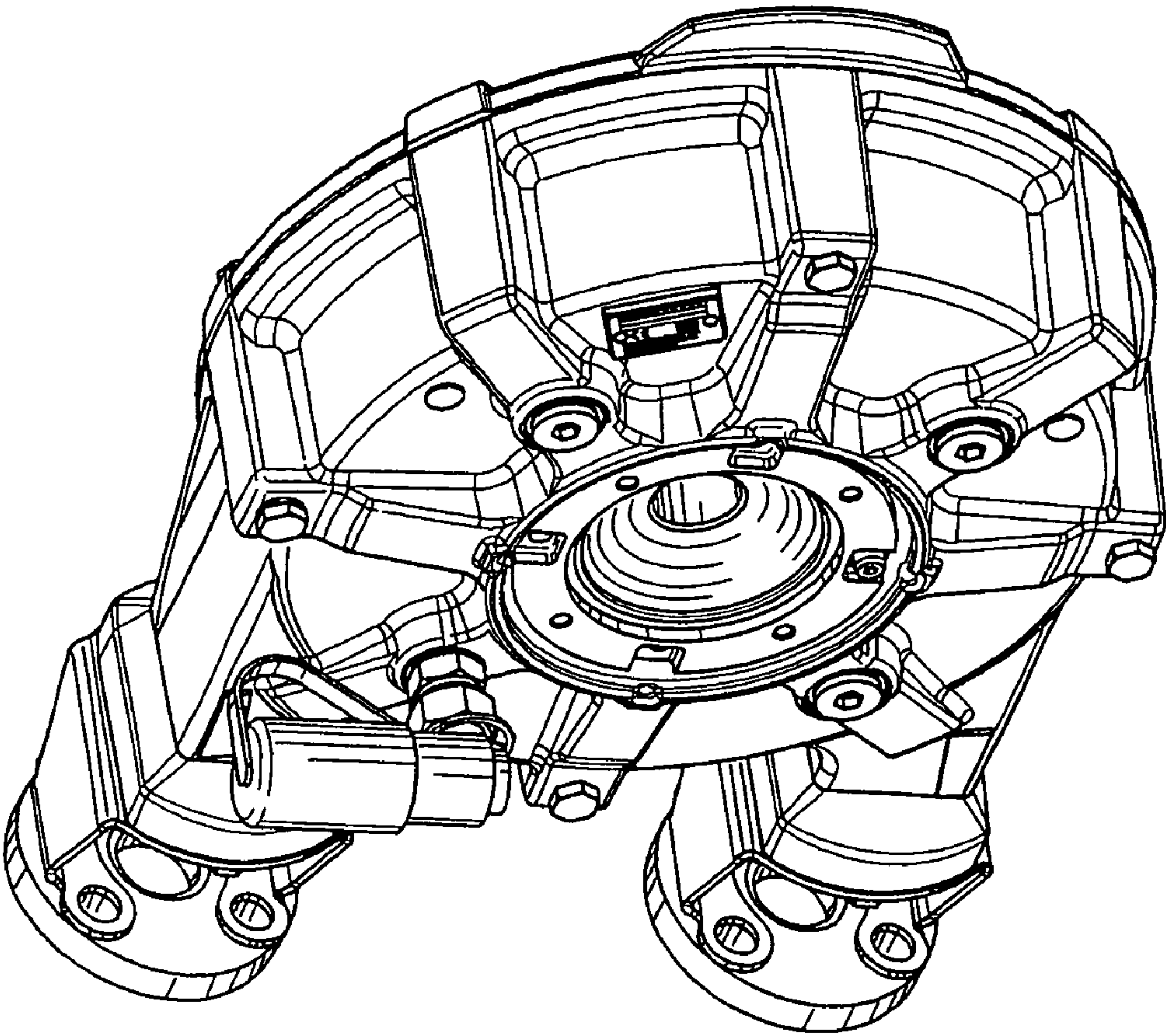


FIG. 8

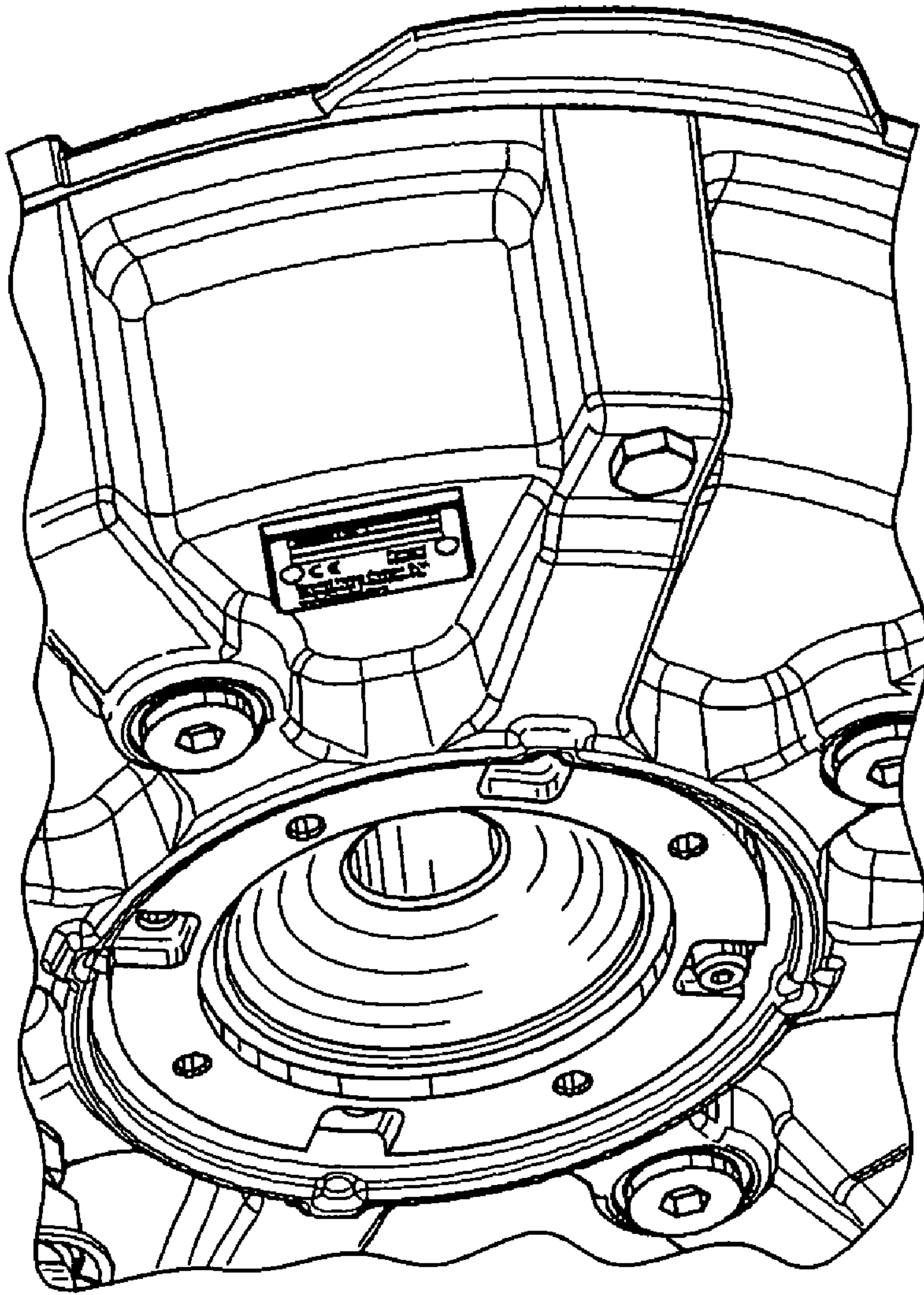


FIG. 9