



US00D562848S

(12) **United States Design Patent**
Andre et al.

(10) **Patent No.:** **US D562,848 S**
(45) **Date of Patent:** **** Feb. 26, 2008**

(54) **HANDHELD PORTABLE COMPUTING DEVICE**

D264,969 S 6/1982 McGourty
4,976,435 A 12/1990 Shatford et al.

(75) Inventors: **Bartley K. Andre**, Menlo Park, CA (US); **Daniel J. Coster**, San Francisco, CA (US); **Daniele De Iuliis**, San Francisco, CA (US); **Richard P. Howarth**, San Francisco, CA (US); **Jonathan P. Ive**, San Francisco, CA (US); **Steve Jobs**, Palo Alto, CA (US); **Duncan Robert Kerr**, San Francisco, CA (US); **Shin Nishibori**, San Francisco, CA (US); **Matthew Dean Rohrbach**, San Francisco, CA (US); **Douglas B. Satzger**, Menlo Park, CA (US); **Calvin Q. Seid**, Palo Alto, CA (US); **Christopher J. Stringer**, Portola Valley, CA (US); **Eugene Antony Whang**, San Francisco, CA (US); **Rico Zorkendorfer**, San Francisco, CA (US)

(Continued)

OTHER PUBLICATIONS

U.S. Appl. No. 29/237,096, filed Aug. 24, 2005.
U.S. Appl. No. 29/237,229, filed Aug. 24, 2005.

(Continued)

Primary Examiner—Freda S Nunn
(74) *Attorney, Agent, or Firm*—Sterne, Kessler, Goldstein & Fox P.L.L.C.

(73) Assignee: **Apple Inc.**, Cupertino, CA (US)

(**) Term: **14 Years**

(21) Appl. No.: **29/281,264**

(22) Filed: **Jun. 19, 2007**

Related U.S. Application Data

(62) Division of application No. 29/237,232, filed on Aug. 24, 2005, now Pat. No. Des. 553,129.

(51) **LOC (8) Cl.** **14-03**

(52) **U.S. Cl.** **D14/496; D14/341**

(58) **Field of Classification Search** D14/341–346,
D14/496, 138, 156; D18/1, 2, 7, 11; 341/22,
341/23; 345/168, 160, 163; 455/556.1,
455/575.5

See application file for complete search history.

(56) **References Cited**

U.S. PATENT DOCUMENTS

2,255,999 A 9/1941 Kuehner

CLAIM

(57)

We claim the ornamental design for a handheld portable computing device, substantially as shown and described.

DESCRIPTION

FIG. 1 is a perspective view of a handheld portable computing device in accordance with the present design.

FIG. 2 is a front view for the handheld portable computing device.

FIG. 3 is a rear view for the handheld portable computing device.

FIG. 4 is a bottom view for the handheld portable computing device.

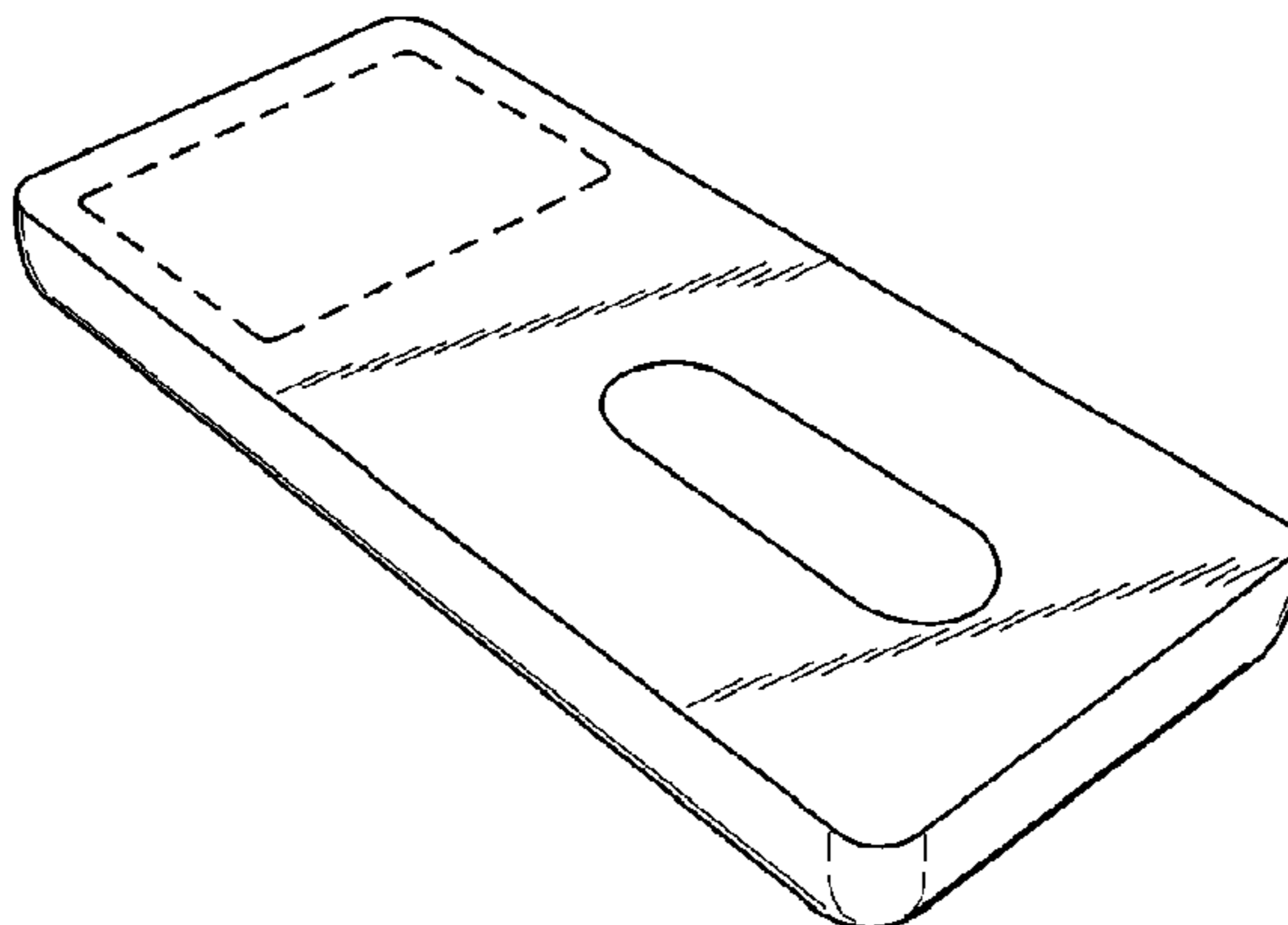
FIG. 5 is a top view for the handheld portable computing device.

FIG. 6 is a right side view for the handheld portable computing device; and,

FIG. 7 is a left side view for the handheld portable computing device.

The broken lines are for illustrative purpose only and form no part of the claimed design.

1 Claim, 2 Drawing Sheets



US D562,848 S

Page 2

U.S. PATENT DOCUMENTS

5,192,082 A 3/1993 Inoue et al.
5,661,632 A 8/1997 Register
D412,940 S 8/1999 Kato et al.
5,964,661 A 10/1999 Dodge
D425,885 S 5/2000 Amron
D430,169 S 8/2000 Scibora
6,122,526 A 9/2000 Parulski et al.
D432,523 S 10/2000 Grinkus et al.
D437,860 S 2/2001 Suzuki et al.
6,227,966 B1 5/2001 Yokoi
6,254,477 B1 7/2001 Sasaki et al.
6,262,785 B1 7/2001 Kim
D448,810 S 10/2001 Goto
D450,713 S 11/2001 Masamitsu et al.
6,314,483 B1 11/2001 Goto et al.
D452,250 S 12/2001 Chan
D455,793 S 4/2002 Lin
D464,196 S 10/2002 Parker
D468,365 S 1/2003 Bransky et al.
D469,109 S 1/2003 Andre et al.
D472,245 S 3/2003 Andre et al.
D473,207 S 4/2003 Tanio
6,591,085 B1 7/2003 Grady
D483,809 S 12/2003 Lim
D487,192 S 3/2004 Farnham et al.
D489,052 S 4/2004 Shiraki et al.
D489,731 S 5/2004 Huang
D490,068 S 5/2004 Chen
D492,323 S 6/2004 Wang
D494,188 S 8/2004 Huang
D495,185 S 8/2004 Palmer
D497,618 S 10/2004 Andre et al.
D499,423 S 12/2004 Bahroocha et al.
D499,424 S 12/2004 Bahroocha
D506,476 S 6/2005 Andre et al.
D507,277 S 7/2005 Sitoh
6,920,344 B2 7/2005 Jang
D509,833 S 9/2005 Yang
D510,937 S 10/2005 Tsai
D511,347 S 11/2005 Naruki
D512,403 S 12/2005 Yang
6,977,675 B2 12/2005 Kotzin
D513,512 S 1/2006 Tsai
D514,120 S 1/2006 Chan

D514,121 S 1/2006 Johnson
D514,589 S 2/2006 Chen
D515,099 S 2/2006 Lee
D515,546 S 2/2006 Mu
D516,576 S 3/2006 Ive et al.
D517,088 S 3/2006 Chong et al.
D518,290 S 4/2006 Andre et al.
D519,523 S 4/2006 Chiu et al.
D520,020 S 5/2006 Senda et al.
7,046,230 B2 5/2006 Zadesky et al.
D548,747 S * 8/2007 Andre et al. D14/496
D549,237 S * 8/2007 Andre et al. D14/496
D553,129 S * 10/2007 Andre et al. D14/341
2004/0224638 A1 11/2004 Fadell et al.

OTHER PUBLICATIONS

U.S. Appl. No. 29/237,226, filed Aug. 24, 2005.
U.S. Appl. No. 29/237,235, filed Aug. 24, 2005.
U.S. Appl. No. 29/237,231, filed Aug. 24, 2005.
U.S. Appl. No. 29/255,274, filed Mar. 6, 2006.
U.S. Appl. No. 29/237,224, filed Aug. 24, 2005.
U.S. Appl. No. 29/237,228, filed Aug. 24, 2005.
U.S. Appl. No. 29/237,225, filed Aug. 24, 2005.
U.S. Appl. No. 29/237,230, filed Aug. 24, 2005.
U.S. Appl. No. 29/255,294, filed Mar. 6, 2005.
U.S. Appl. No. 29/237,090, filed Aug. 24, 2005.
U.S. Appl. No. 29/224,220 entitled "Media Device" filed Feb. 25, 2005.
Creative Zen, Wikipedia.org, (online), Jul. 2007, retrieved on Jul. 17, 2007, [URL:http://en.wikipedia.org/wiki/Creative_Zen, 17 pages.
Image:ZenVisionM.png, Wikipedia.org, (online), May 2007, retrieved on Jul. 17, 2007, [URL:<http://en.wikipedia.org/wiki/Image:ZenVisionM.png>, 4 pages.
iriver H10 series, Wikipedia.org, (online), Jun. 2007, retrieved on Jul. 17, 2007, [URL:http://en.wikipedia.org/wiki/Iriver_H10_series, 4 pages.
iriver H10 series, PCmag.com, (online), 1996-2007, retrieved on Jul. 17, 2007, [URL:<http://www.pcmag.com/article2/0,1759,1845976,00.asp>, 3 pages.
Image:IRiverH10.jpg, website, (online), Jun. 2007, retrieved on Jul. 17, 2007, [URL:http://en.wikipedia.org/wiki/Image:IRiver_H10.jpg, 4 pages.

* cited by examiner

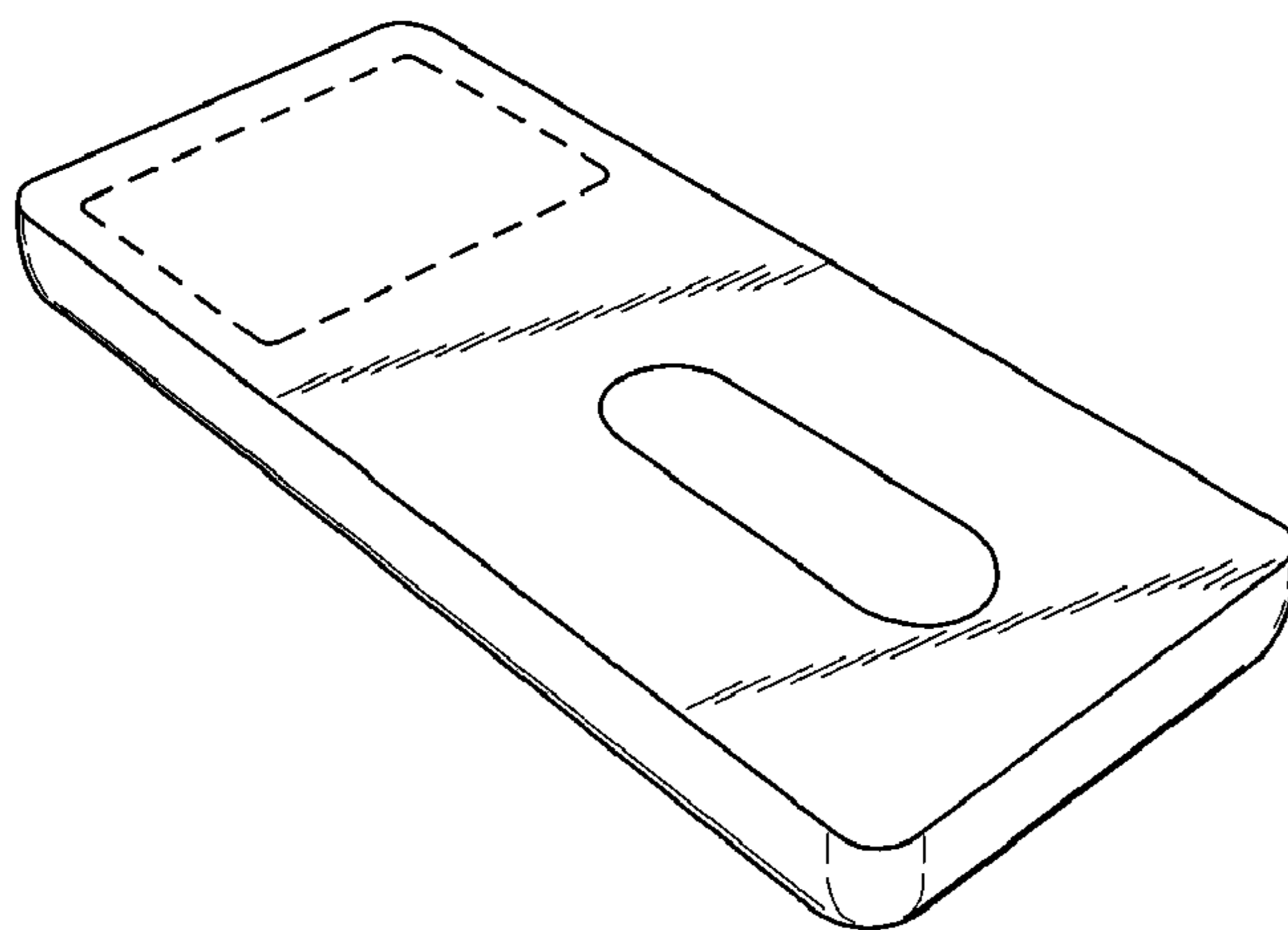


FIG. 1

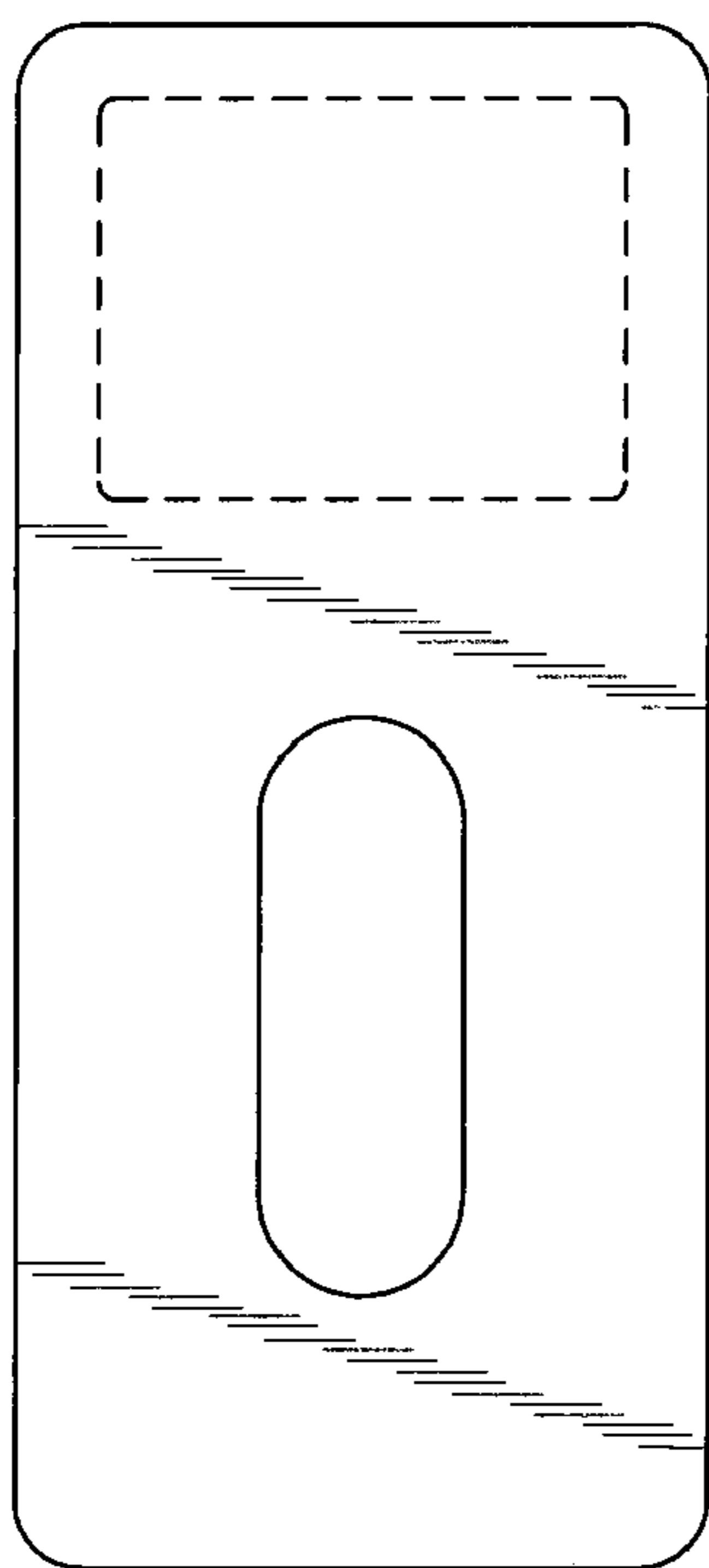


FIG. 2

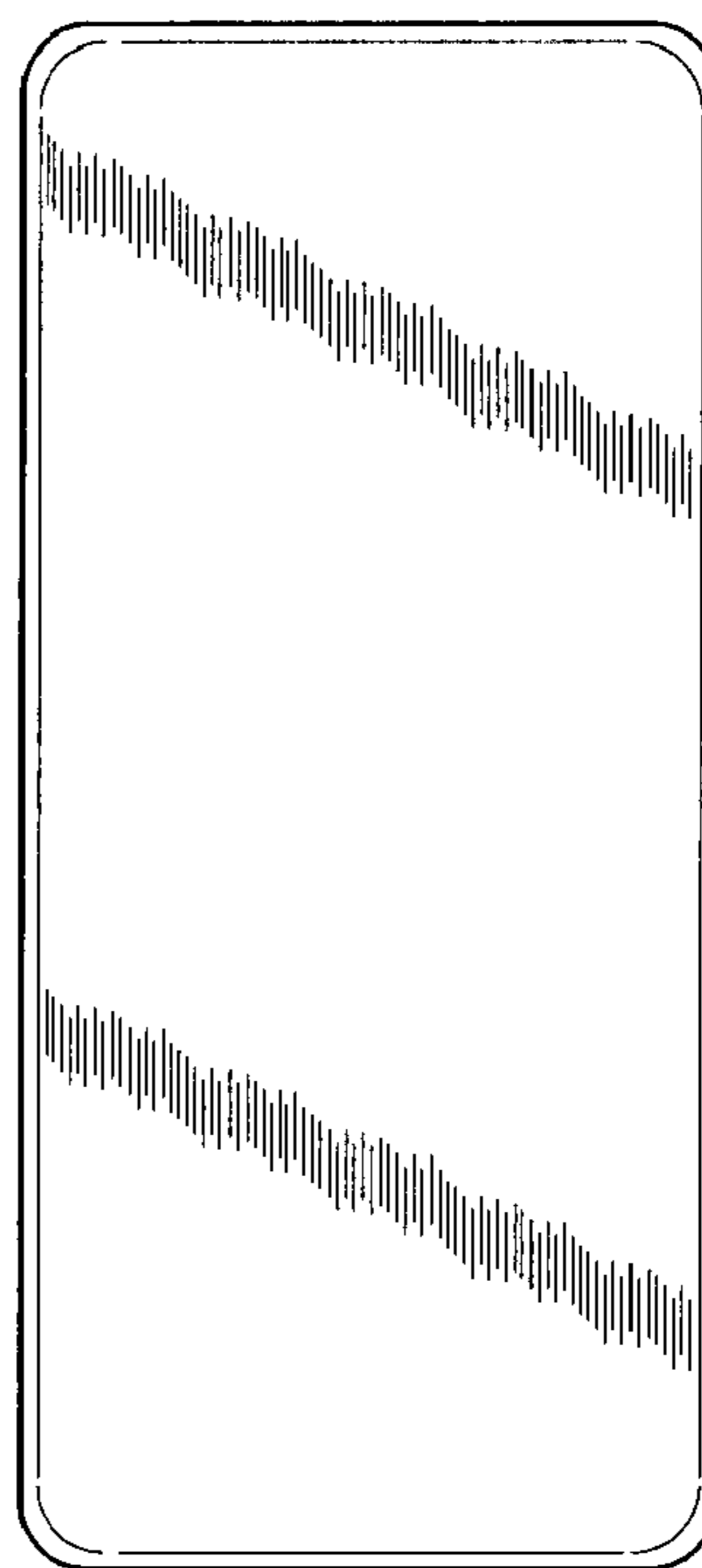


FIG. 3

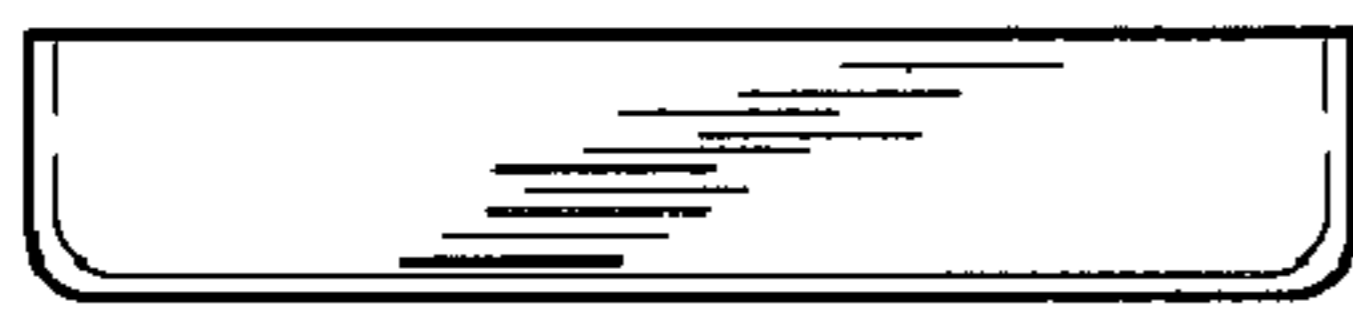


FIG. 4

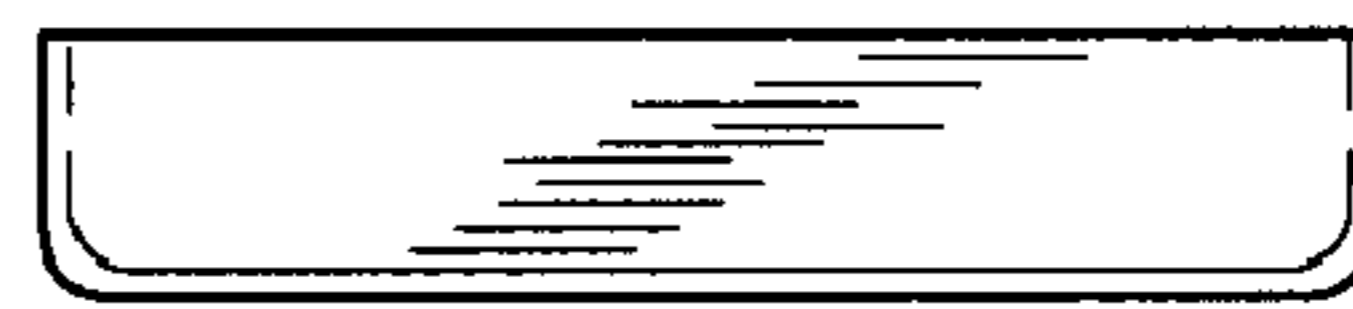


FIG. 5



FIG. 6



FIG. 7