



US00D562846S

(12) **United States Design Patent**
Poandl

(10) **Patent No.:** **US D562,846 S**

(45) **Date of Patent:** **** Feb. 26, 2008**

(54) **AUDIO UNIT FOR MP3 PLAYER**

6,856,043 B2 * 2/2005 DeLeeuw 307/9.1
6,878,862 B2 * 4/2005 Schultze 800/312

(75) Inventor: **Mary Beth Poandl**, Red Bank, NJ (US)

* cited by examiner

(73) Assignee: **SDI Technologies, Inc.**, Rahway, NJ (US)

Primary Examiner—Prabhakar Deshmukh

(74) *Attorney, Agent, or Firm*—Ostrolenk, Faber, Gerb & Soffen, LLP

(**) Term: **14 Years**

(21) Appl. No.: **29/251,090**

(22) Filed: **Jan. 4, 2006**

(51) **LOC (8) Cl.** **14-03**

(52) **U.S. Cl.** **D14/496**

(58) **Field of Classification Search** D14/496,
D14/401, 435, 474, 483, 217, 137, 138, 160,
D14/168; 345/156, 169, 173–179, 905; 715/727–729,
715/864; 455/11.1, 344–347, 93, 95; 370/342–344;
369/1, 2, 6, 12; 463/43–47; 273/148 B

See application file for complete search history.

(56) **References Cited**

U.S. PATENT DOCUMENTS

D270,832 S *	10/1983	Hashimoto et al.	D14/136
D272,063 S *	1/1984	Ekuan	D14/156
D310,078 S *	8/1990	Naito	D14/164
6,396,769 B1 *	5/2002	Polany	367/131
6,420,849 B2 *	7/2002	Murphy	320/114
6,423,892 B1 *	7/2002	Ramaswamy	84/609
6,591,085 B1 *	7/2003	Grady	455/42

(57) **CLAIM**

The ornamental design for a audio unit for MP3 player, as shown and described.

DESCRIPTION

FIG. 1 is a front perspective view of an audio unit for MP3 player showing my new design;

FIG. 2 is a top view thereof;

FIG. 3 is a front view thereof;

FIG. 4 is a rear view thereof;

FIG. 5 is a left side view thereof;

FIG. 6 is a right side view thereof;

FIG. 7 is a bottom view thereof;

FIG. 8 is a front perspective view thereof in an alternate condition;

FIG. 9 is a top view thereof;

FIG. 10 is a front view thereof;

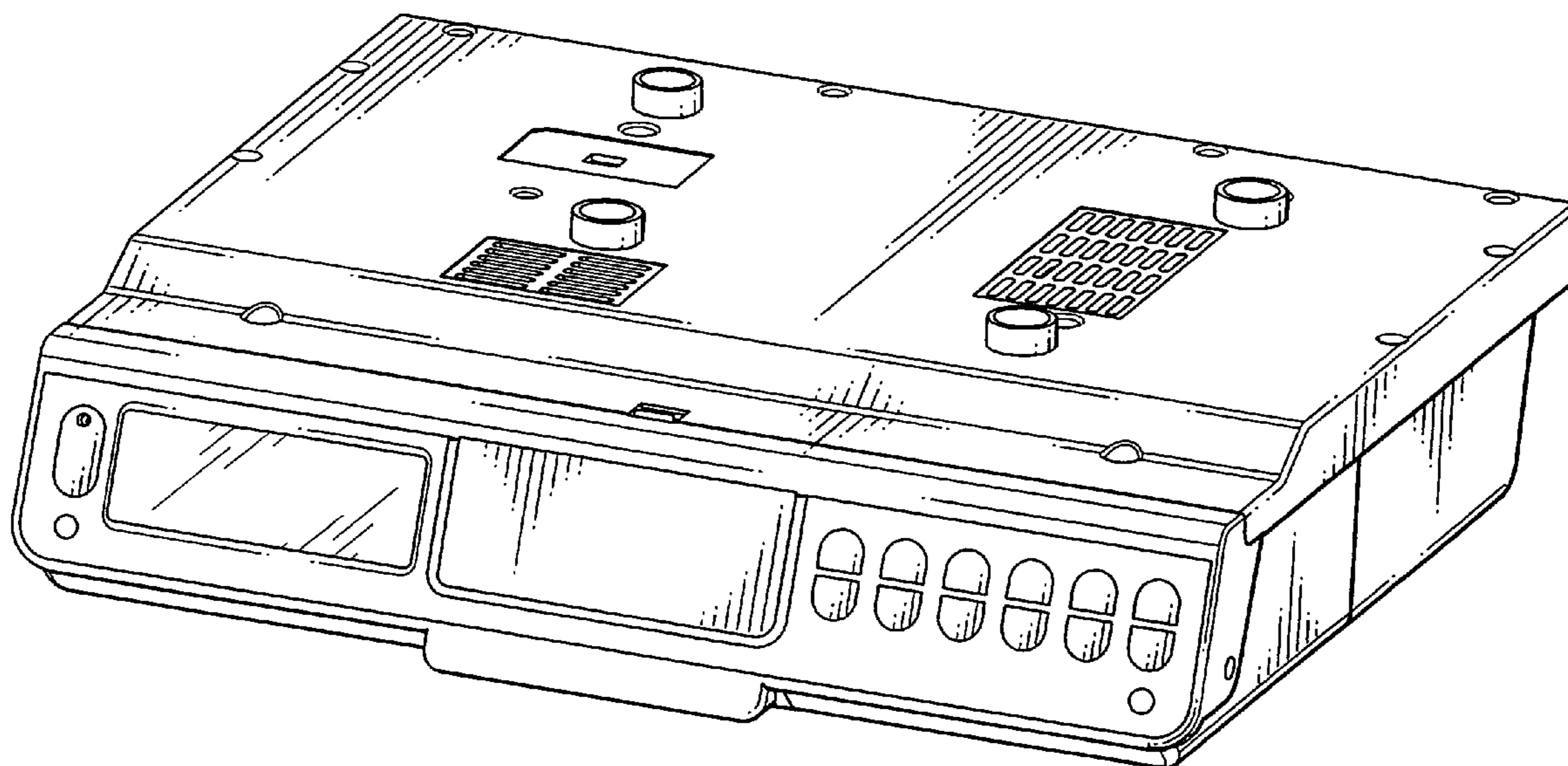
FIG. 11 is a rear view thereof;

FIG. 12 is a left side view thereof;

FIG. 13 is a right side view thereof; and,

FIG. 14 is a bottom view thereof.

1 Claim, 10 Drawing Sheets



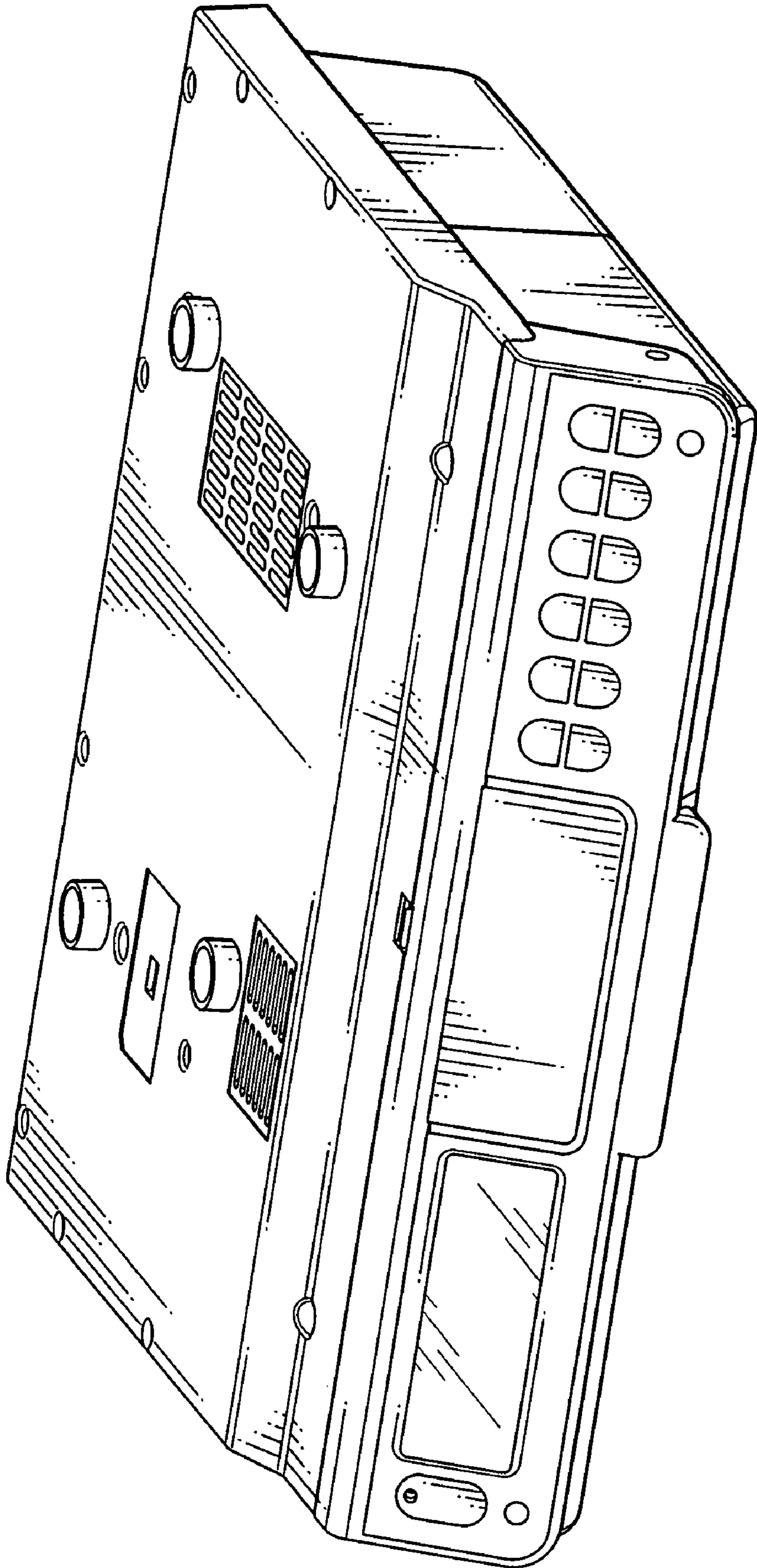


FIG. 1

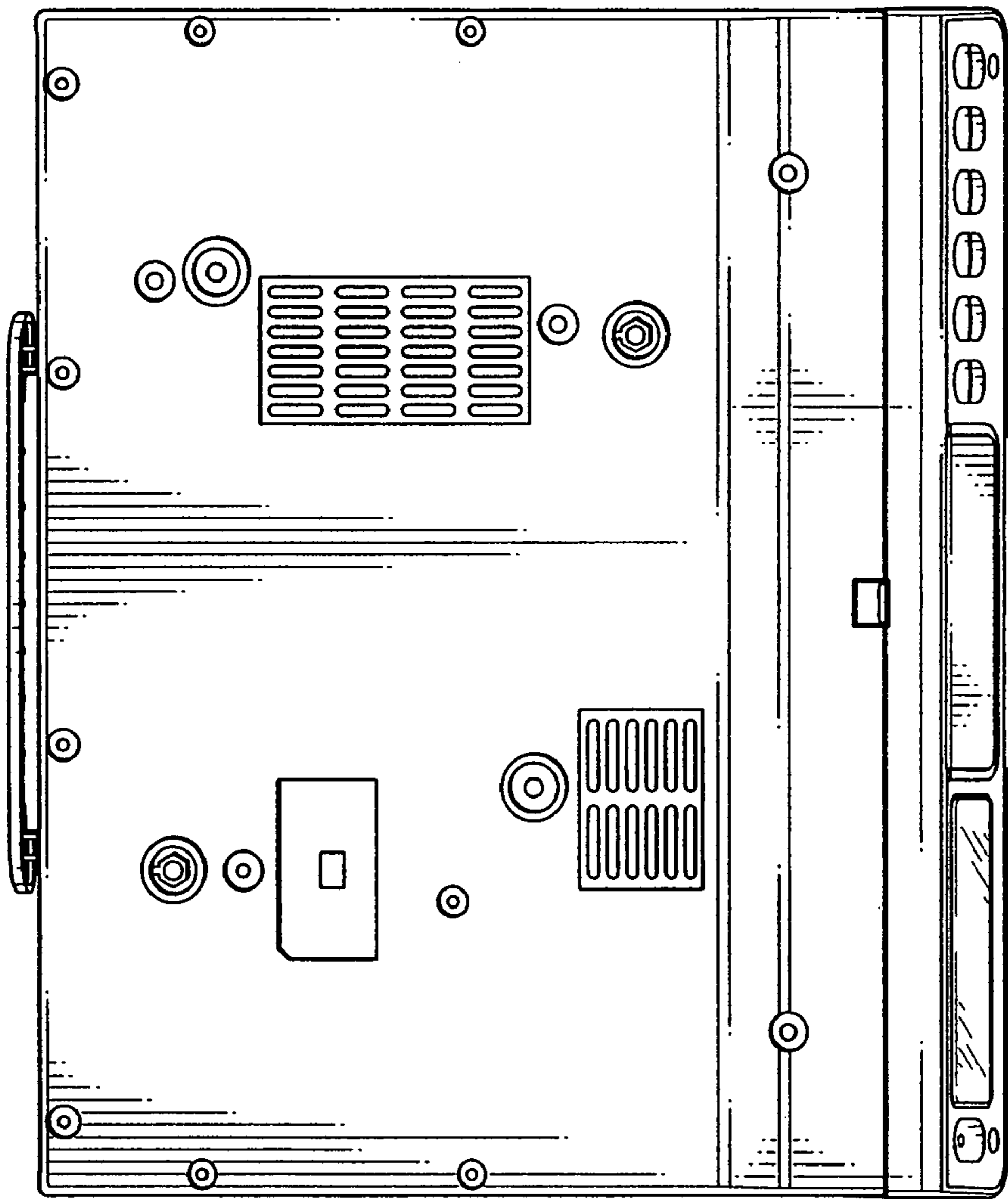


FIG. 2

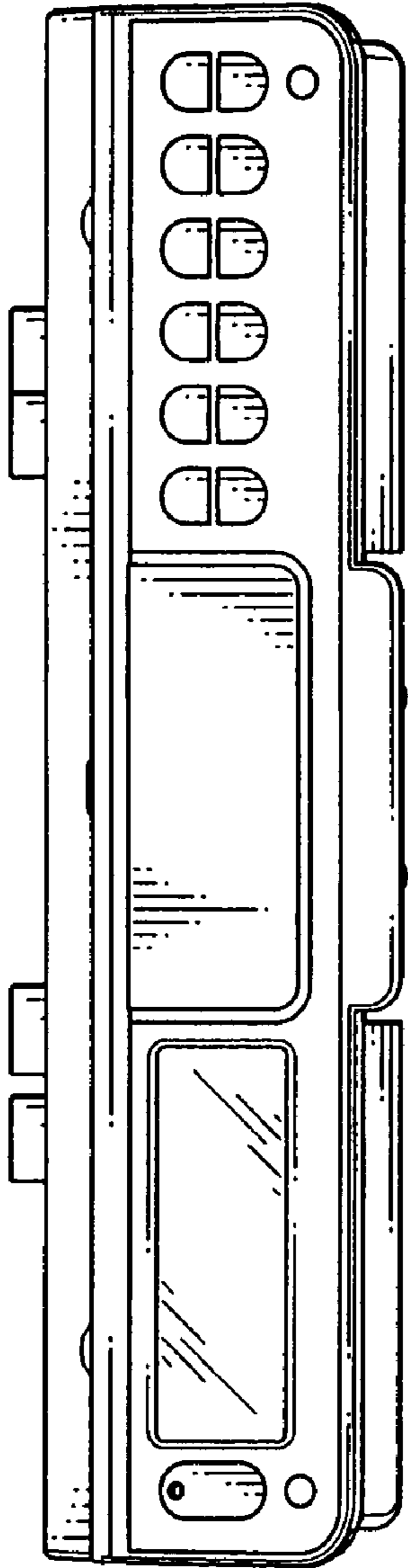


FIG. 3

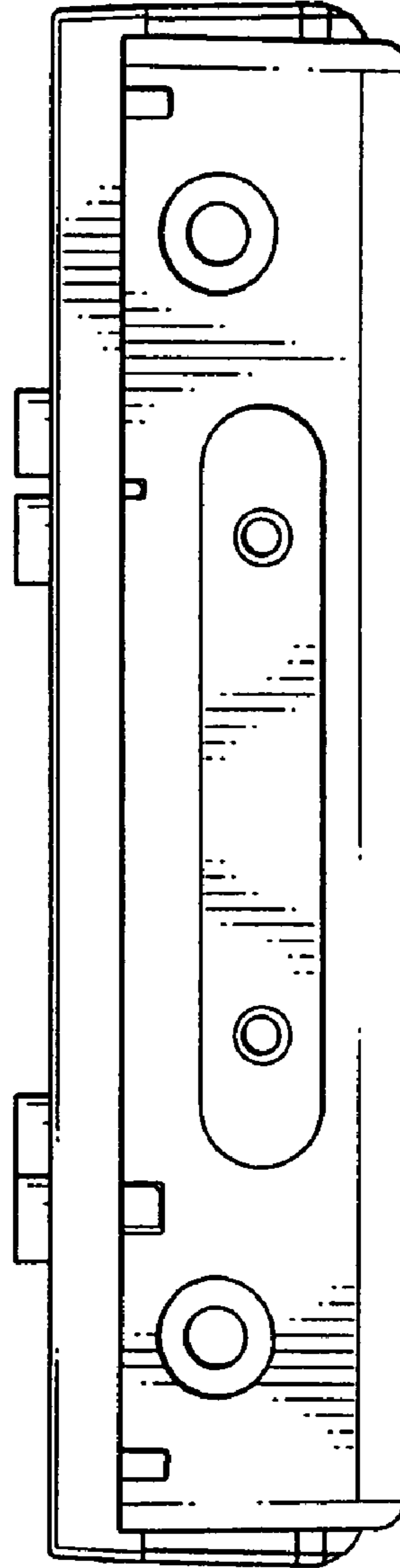


FIG. 4

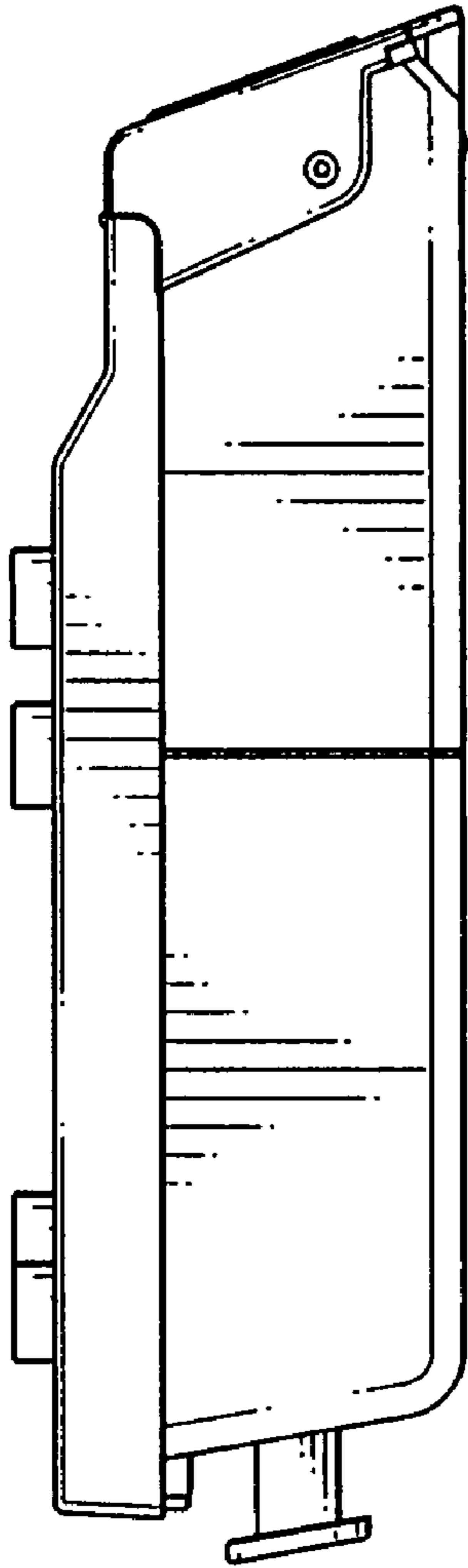


FIG. 5

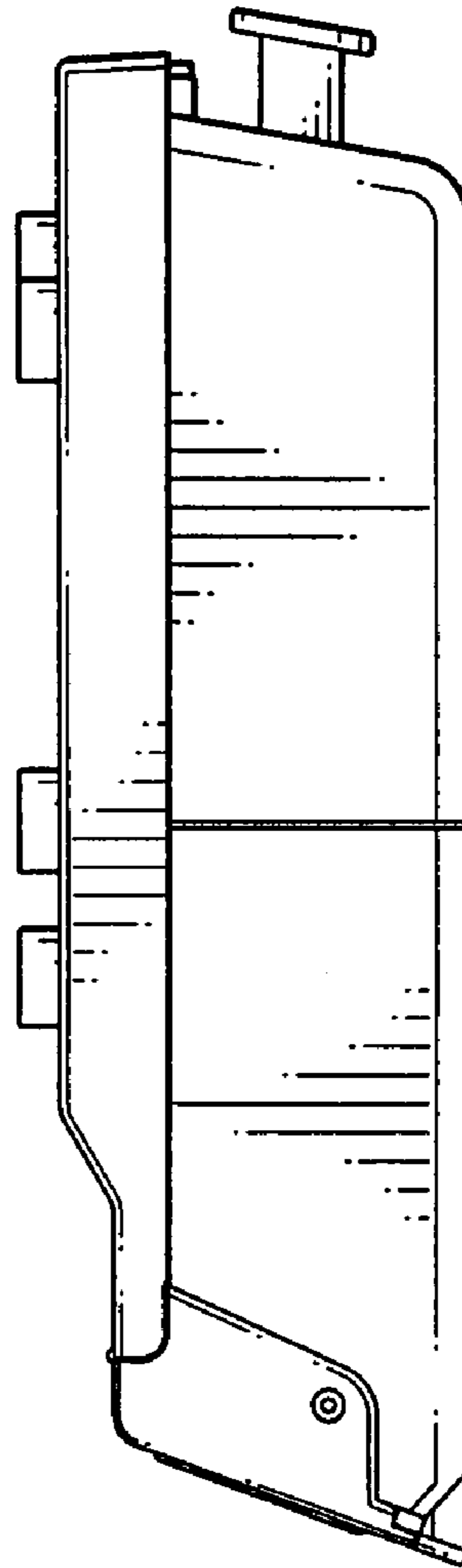


FIG. 6

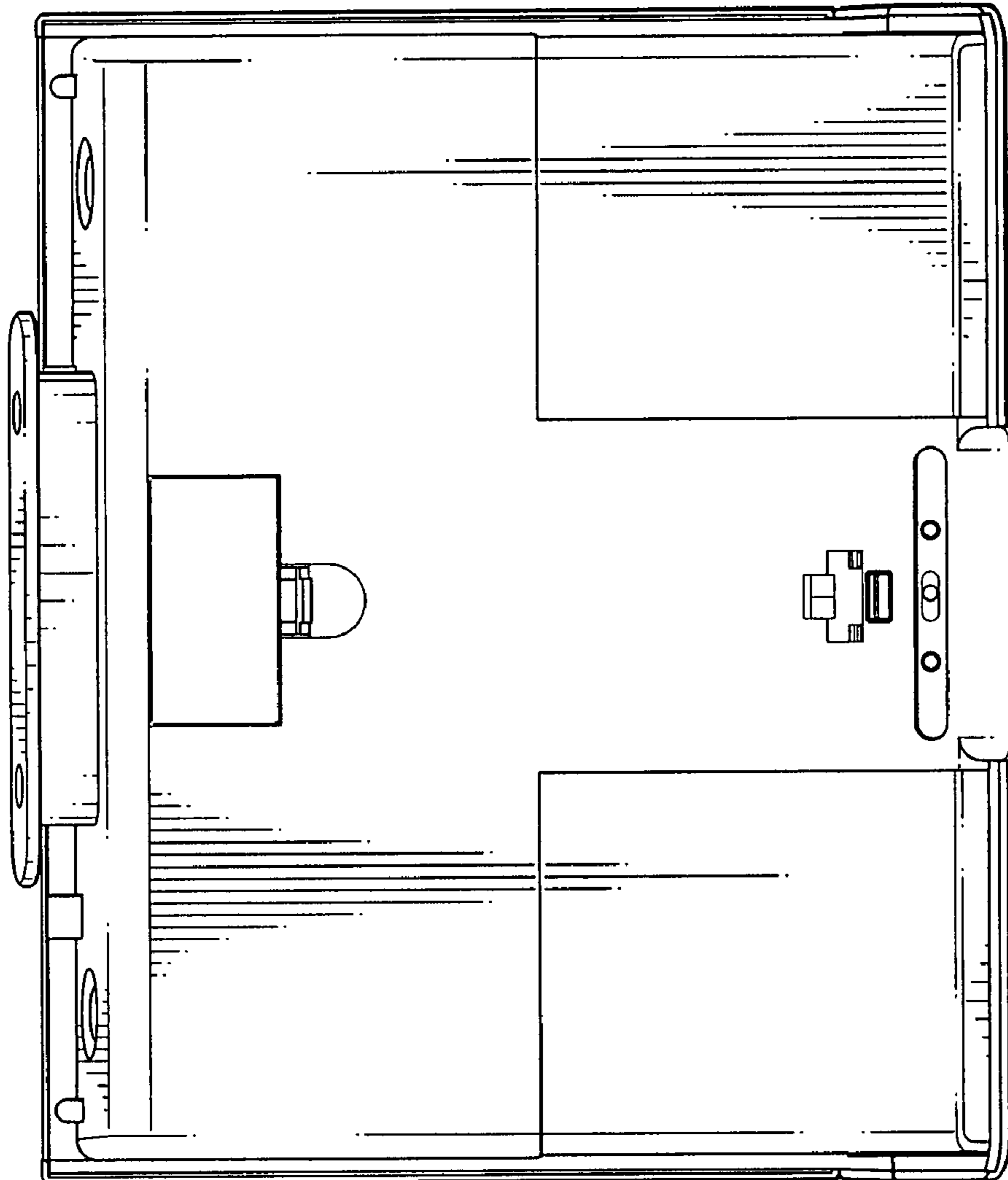


FIG. 7

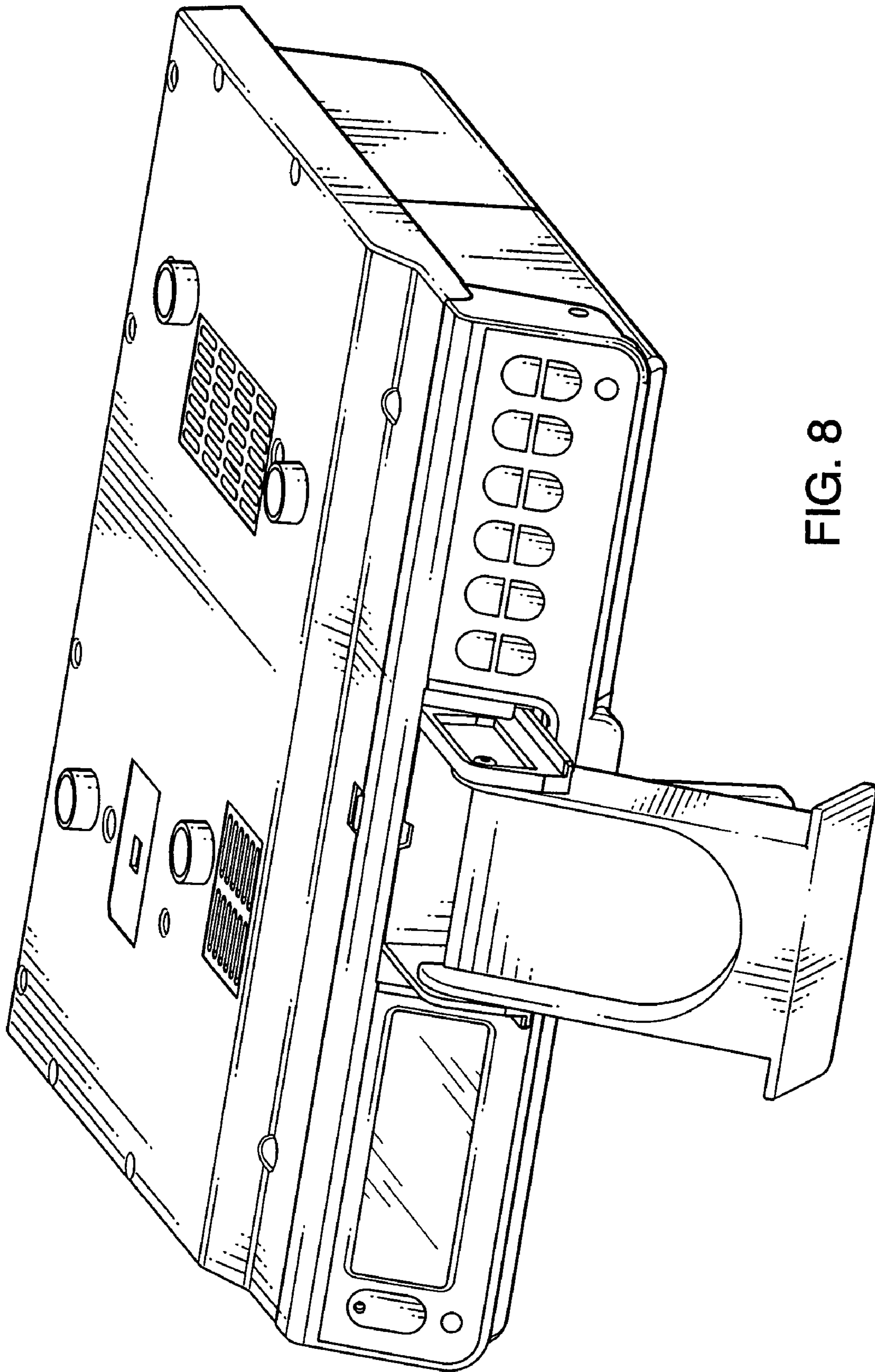


FIG. 8

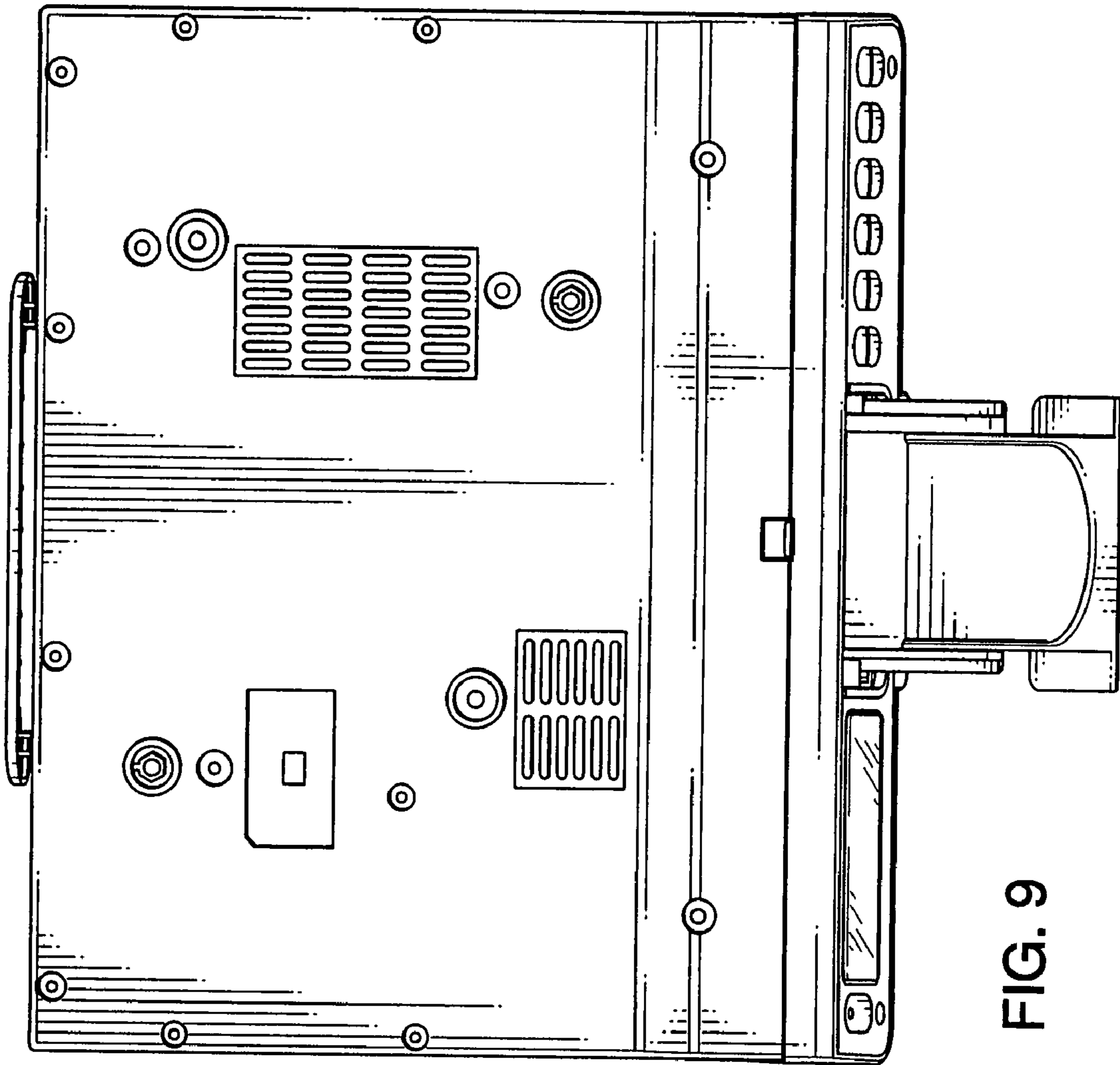


FIG. 9

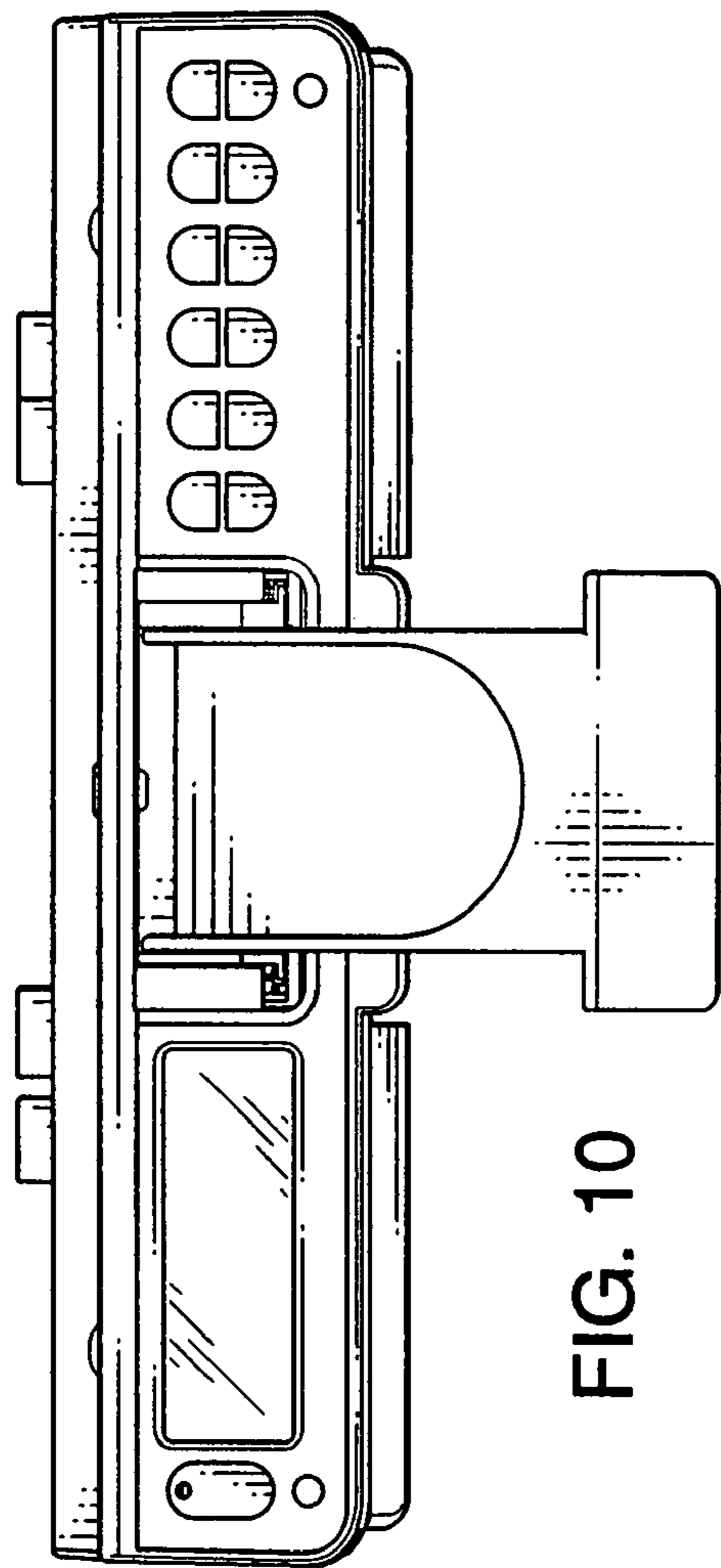


FIG. 10

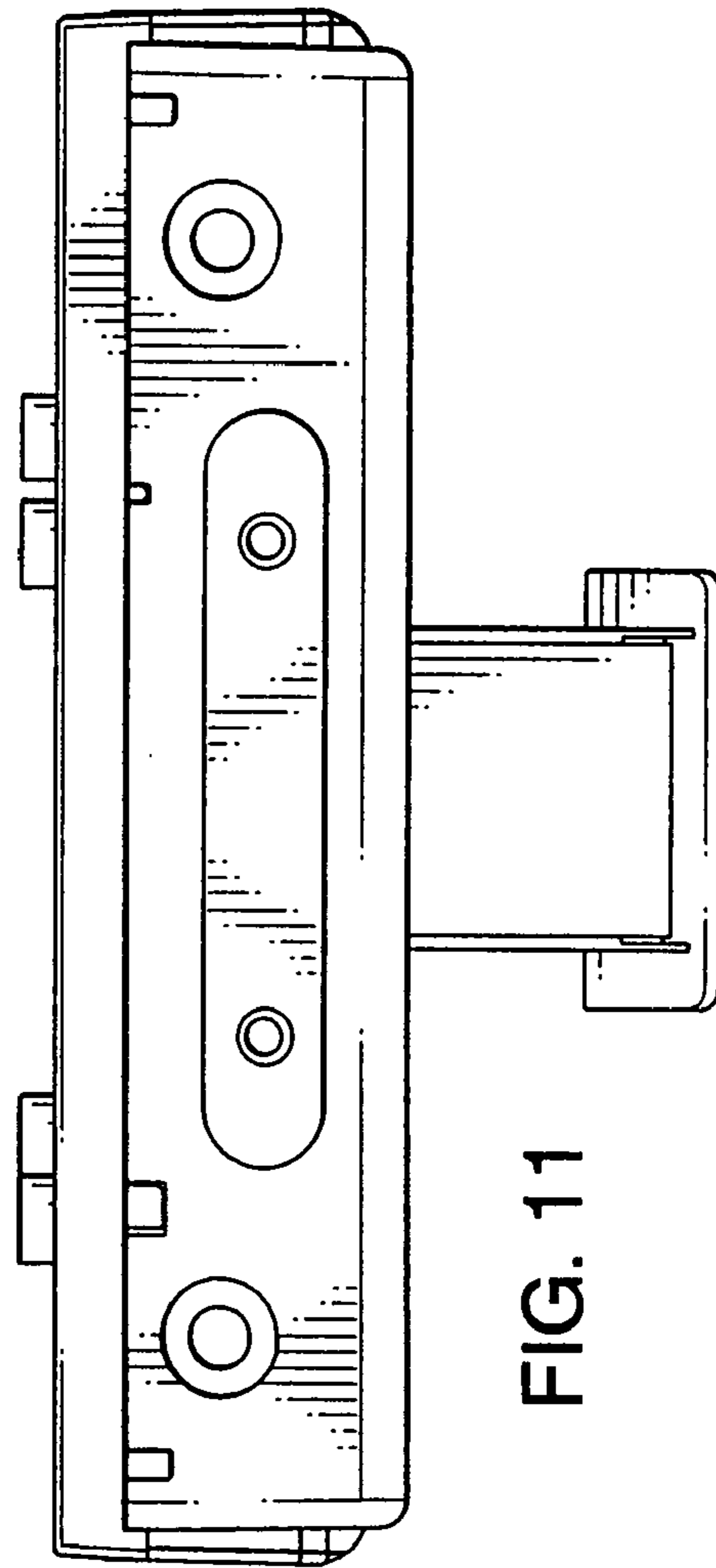


FIG. 11

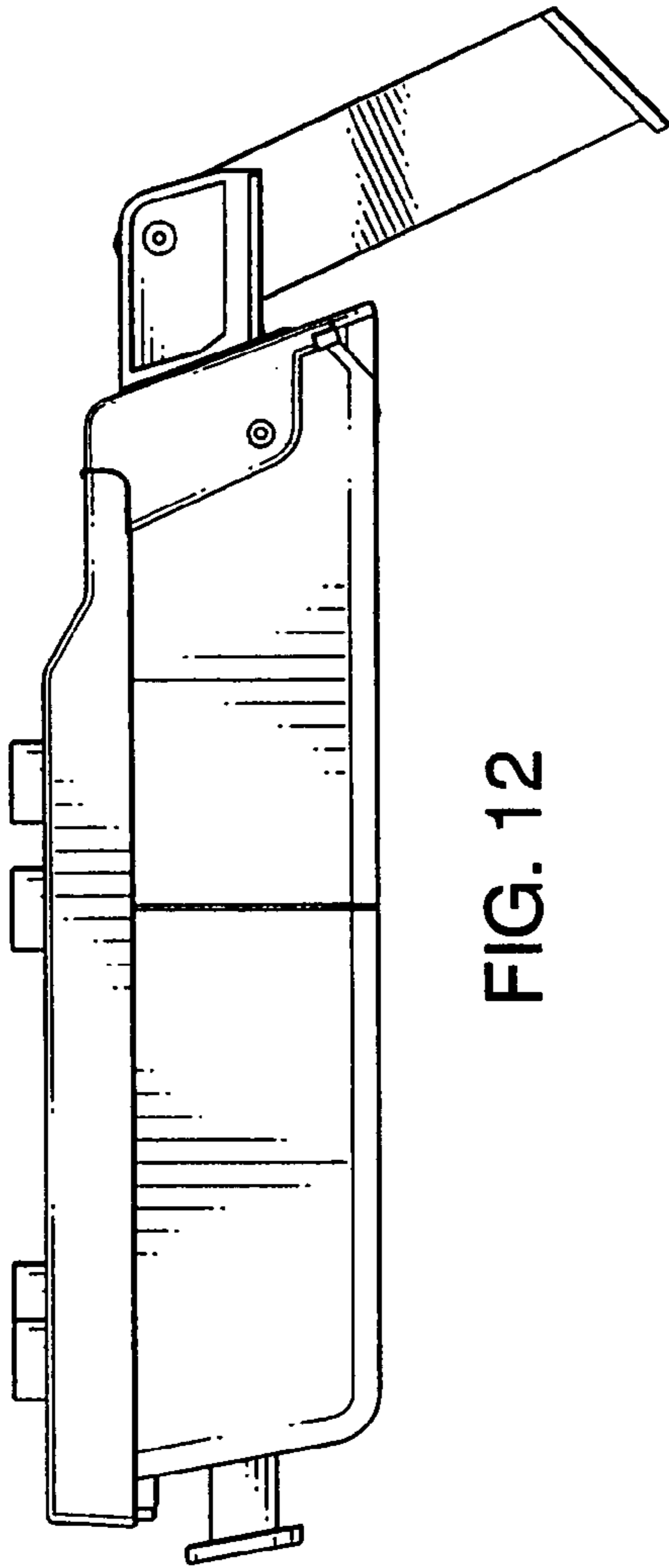


FIG. 12

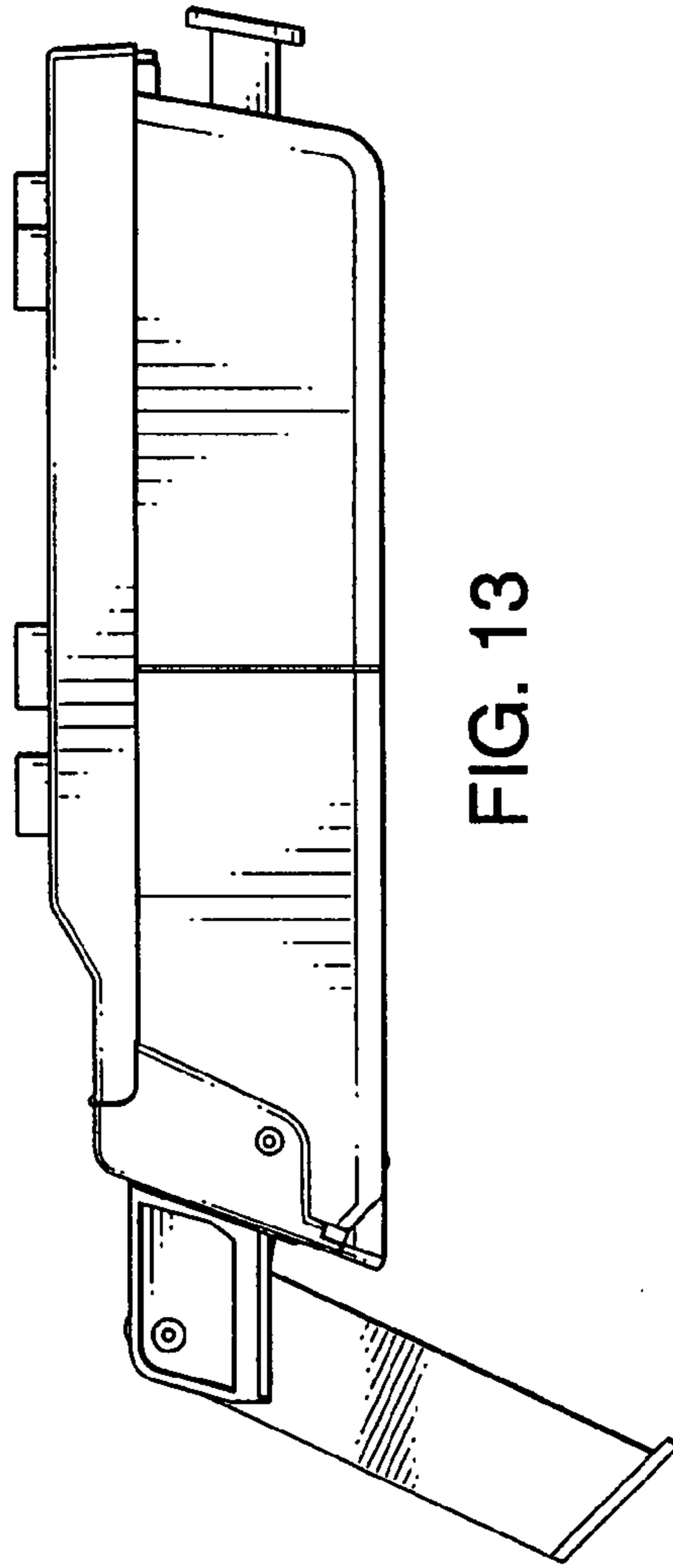


FIG. 13

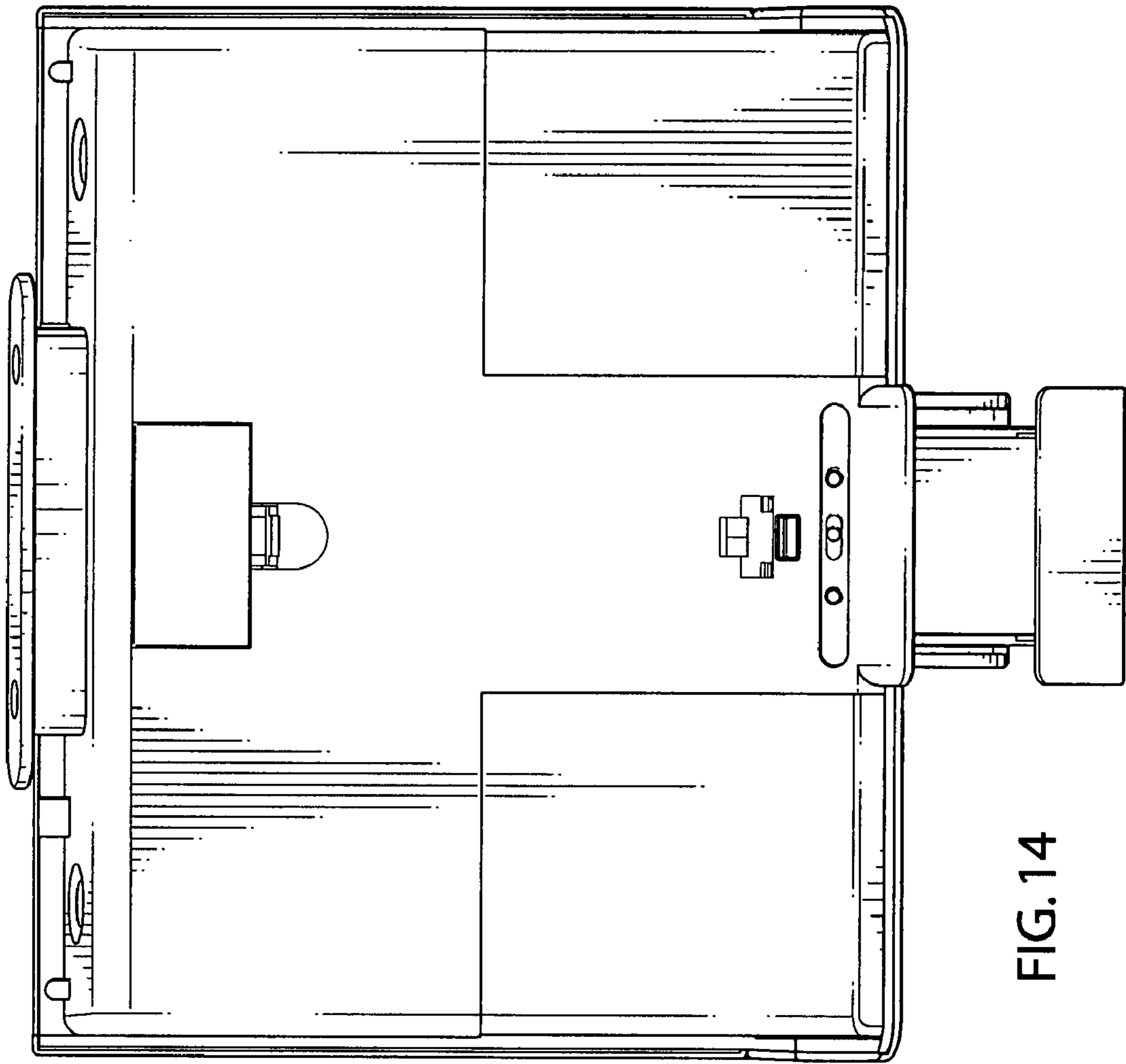


FIG. 14