

US00D562829S

(12) **United States Design Patent** (10) **Patent No.:** **US D562,829 S**  
**Katagiri et al.** (45) **Date of Patent:** **\*\* Feb. 26, 2008**

(54) **SUPPORTER FOR MONITOR/TELEVISION**

(75) Inventors: **Ichiro Katagiri**, Tokyo (JP); **Yoshio Kajino**, Tokyo (JP); **Norihiko Yamato**, Tokyo (JP)

(73) Assignee: **Sony Corporation**, Tokyo (JP)

(\*\*) Term: **14 Years**

(21) Appl. No.: **29/241,812**

(22) Filed: **Nov. 2, 2005**

(30) **Foreign Application Priority Data**

May 2, 2005 (JP) ..... D2005-013044

(51) **LOC (8) Cl.** ..... **14-03**

(52) **U.S. Cl.** ..... **D14/451**

(58) **Field of Classification Search** ..... D14/217, D14/224, 239, 251, 316, 356, 366, 375, 376, D14/377, 434, 439, 447, 448, 451, 452, 454, D14/455, 457, 469; D8/363, 323, 373, 349, D8/394; 248/121, 122.1, 124.1, 125.1, 125.7, 248/126, 127, 128, 133, 178.1, 183.2, 346.01, 248/346.06, 346.03, 371, 441.1, 454, 455, 248/917, 918, 919, 920, 921, 922, 923, 924, 248/229.1, 226.11, 226.12, 231.9, 274.1, 248/304; 312/223.3, 223.6; 361/681, 683; 348/825, 827

See application file for complete search history.

(56) **References Cited**

**U.S. PATENT DOCUMENTS**

6,402,109 B1 \* 6/2002 Dittmer ..... 248/284.1  
D463,409 S 9/2002 Niitsu  
D473,543 S \* 4/2003 Powell et al. .... D14/217  
6,615,551 B2 \* 9/2003 Chesser et al. .... 52/36.4  
D484,332 S 12/2003 Niitsu  
6,724,614 B1 \* 4/2004 Chiang et al. .... 361/681  
6,905,101 B1 \* 6/2005 Dittmer ..... 248/274.1

6,992,882 B2 \* 1/2006 Wang ..... 361/681  
D523,321 S \* 6/2006 Verbeek ..... D8/323  
D544,868 S \* 6/2007 Katagiri et al. .... D14/451  
2002/0027771 A1 \* 3/2002 Dong ..... 361/685  
2002/0126443 A1 \* 9/2002 Zodnik ..... 361/683  
2003/0201372 A1 \* 10/2003 Dozier ..... 248/286.1  
2005/0087666 A1 \* 4/2005 Hwang ..... 248/371  
2007/0023599 A1 \* 2/2007 Fedewa ..... 248/284.1

\* cited by examiner

*Primary Examiner*—Cathron Brooks

*Assistant Examiner*—Angela J Lee

(74) *Attorney, Agent, or Firm*—Rader, Fishman & Grauer, PLLC

(57) **CLAIM**

The ornamental design for a supporter for monitor/television, as shown and described.

**DESCRIPTION**

FIG. 1 is a perspective view of a supporter for monitor/television showing our new design;

FIG. 2 is a front elevational view thereof;

FIG. 3 is a perspective view thereof in the lift-up position;

FIG. 4 is a front elevational view thereof in the lift-up position;

FIG. 5 is a right side elevational view thereof in the lift-up position;

FIG. 6 is a left side elevational view thereof in the lift-up position;

FIG. 7 is a top plan view thereof in the lift-up position; and,

FIG. 8 is a bottom plan view thereof.

The broken line showing of parts of the supporter for monitor/television is included for the purpose of illustrating portions of the article and forms no part of the claimed design.

**1 Claim, 8 Drawing Sheets**

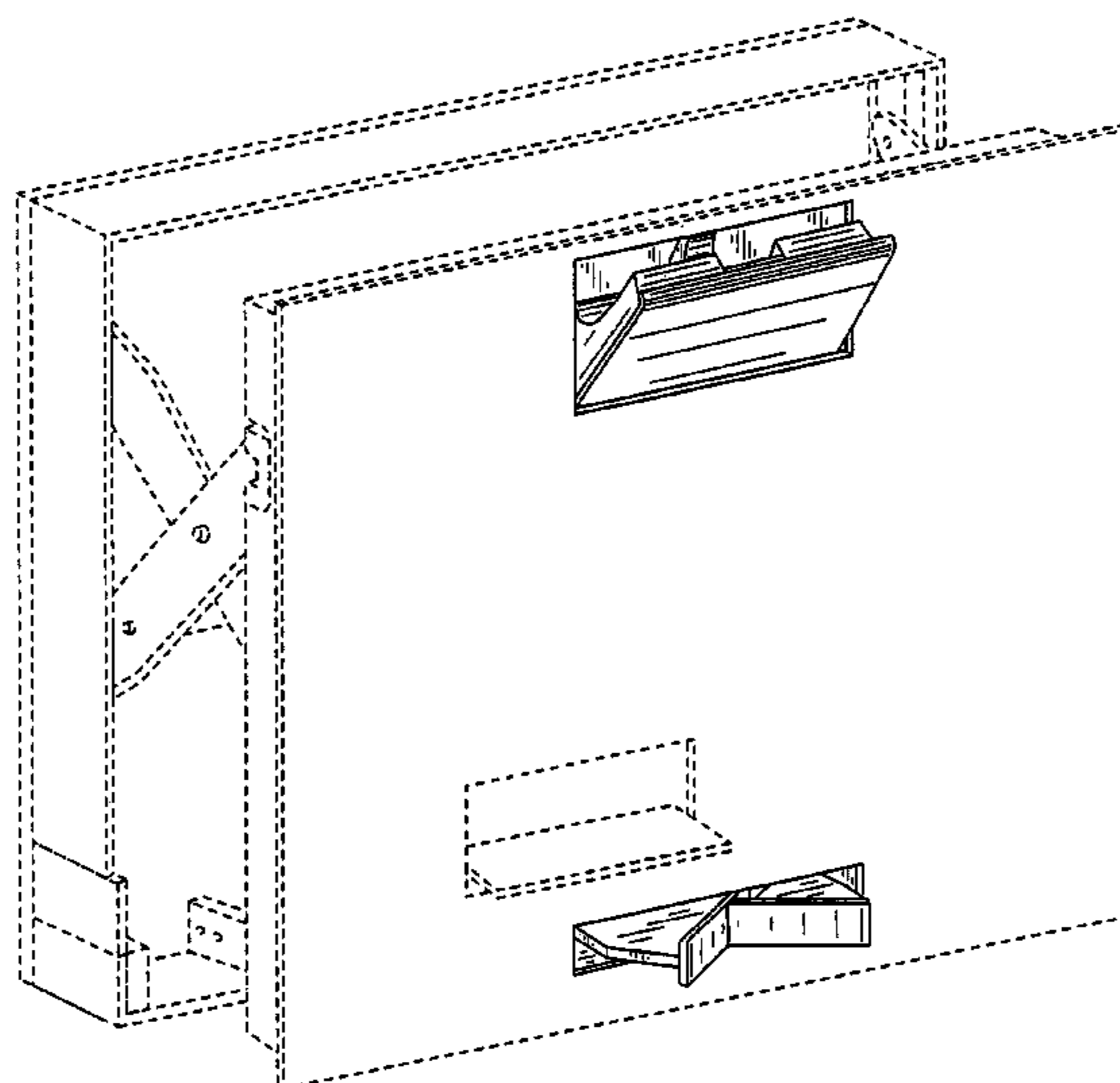


Fig.1

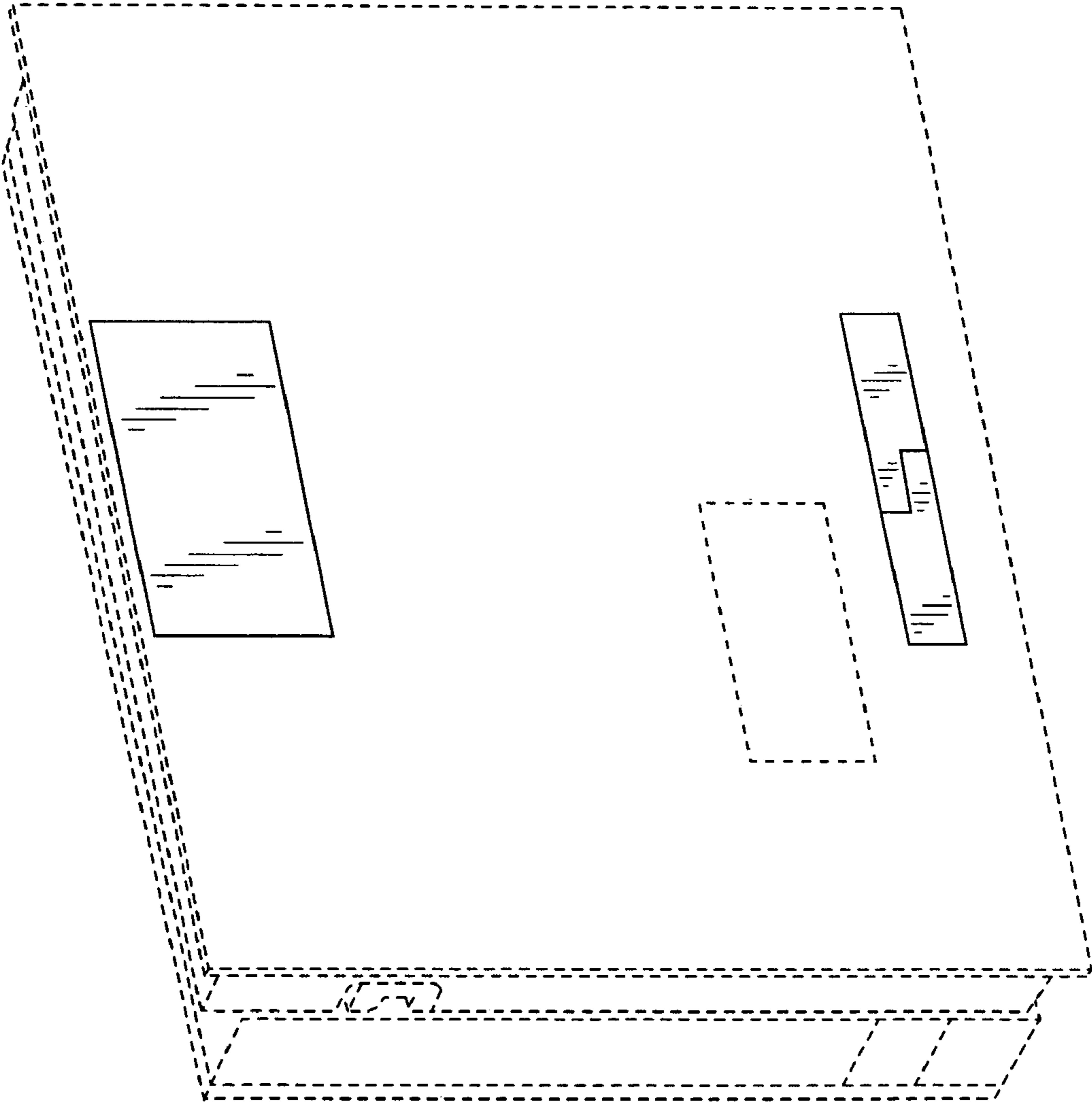
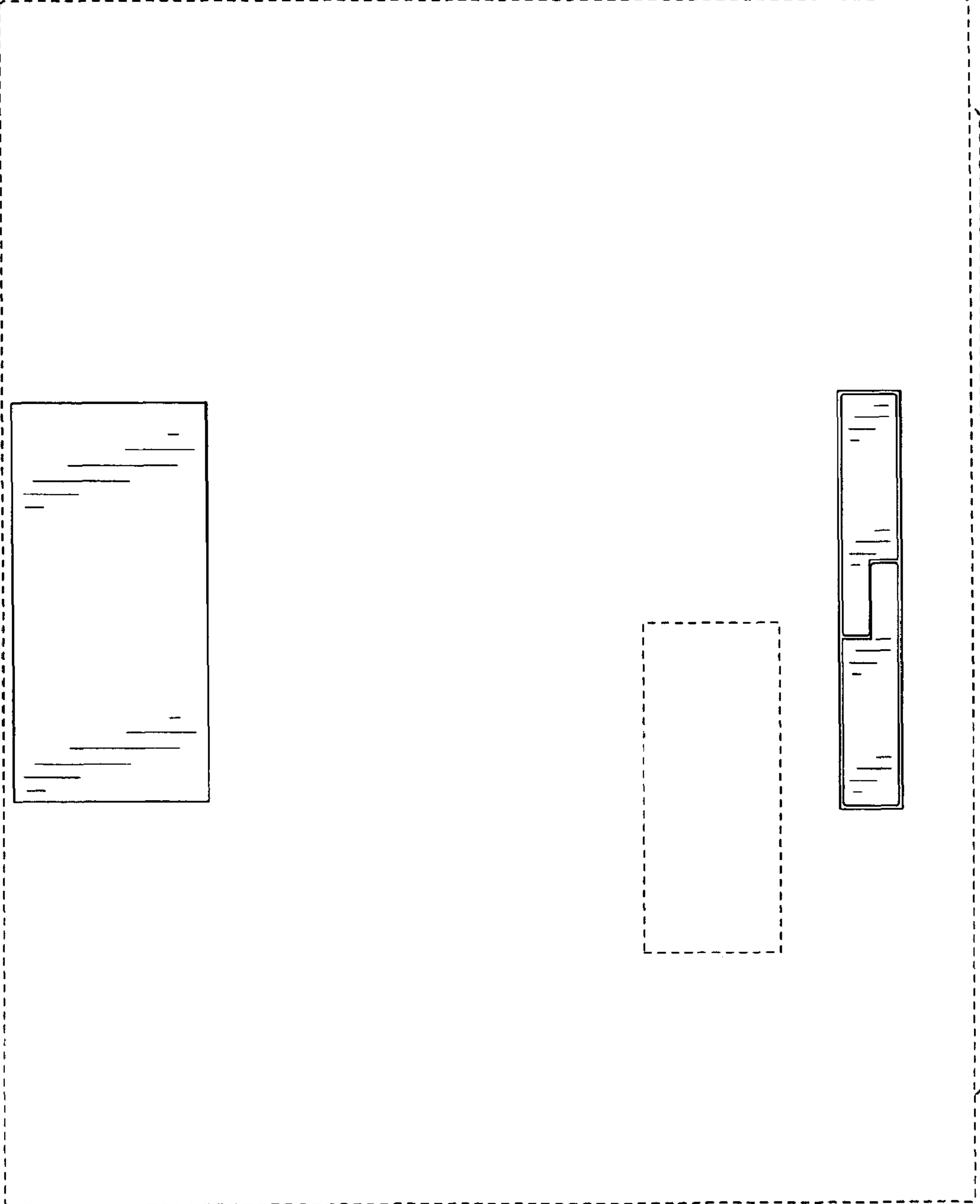


Fig. 2



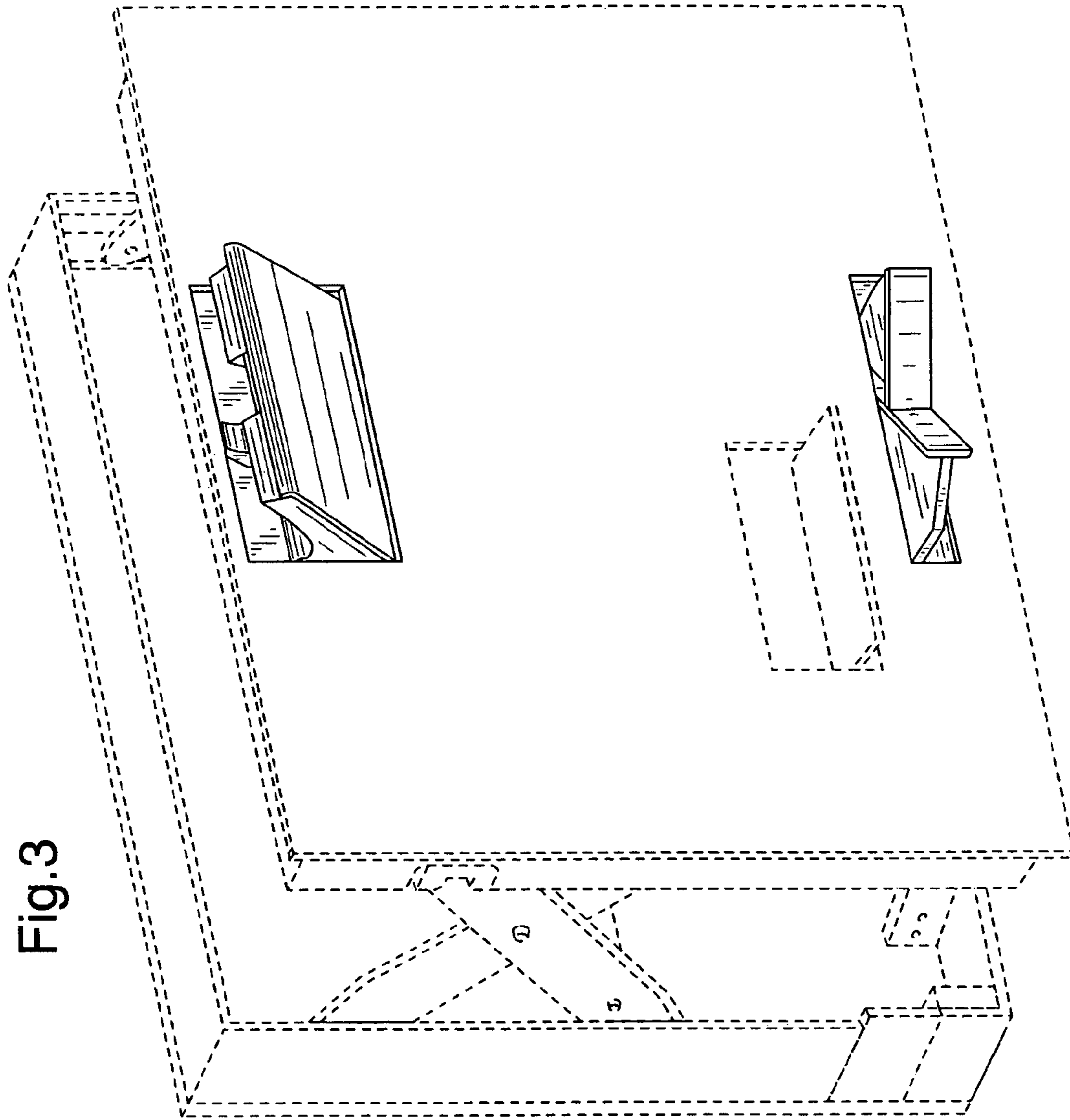


Fig. 3

Fig.4

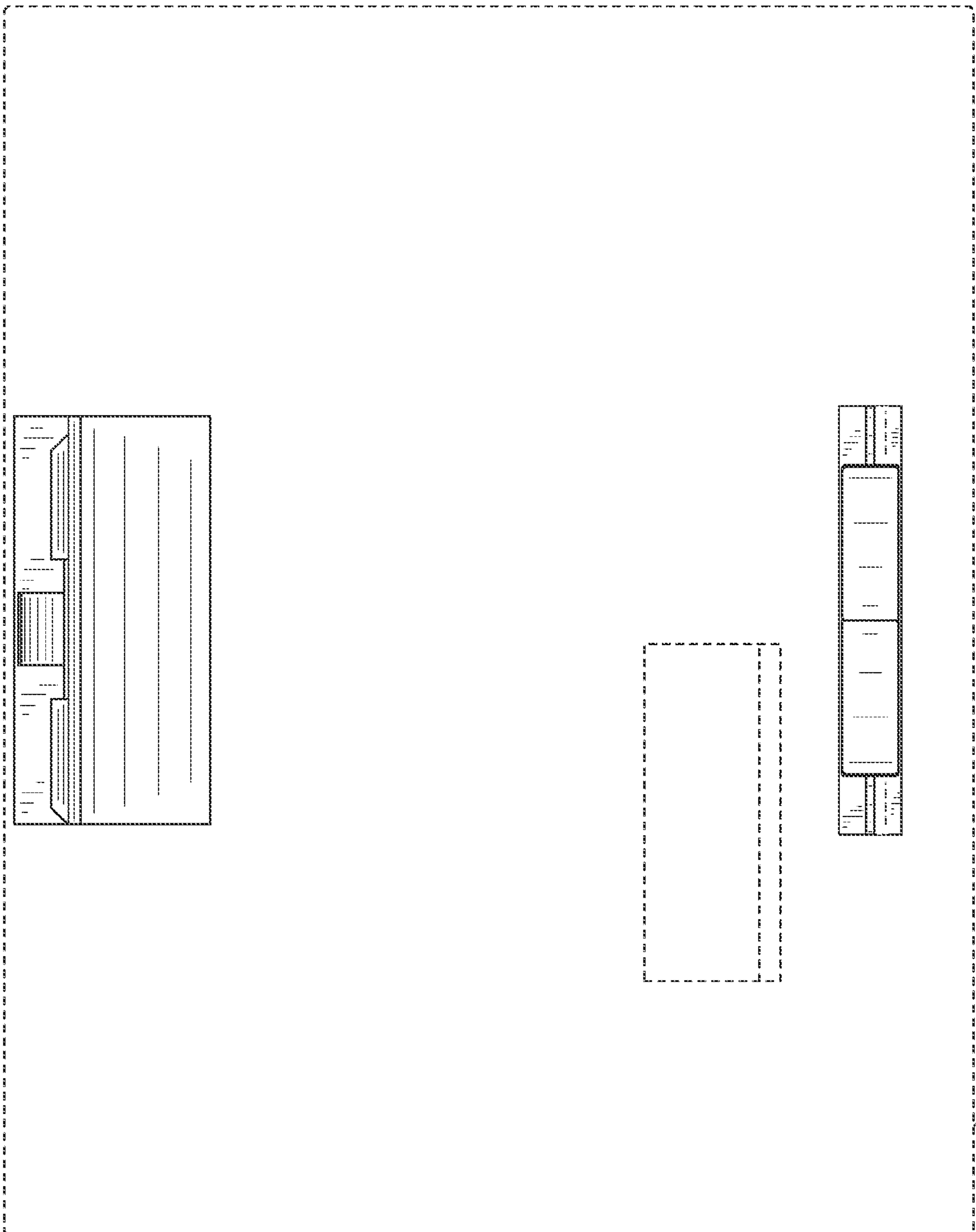


Fig. 5

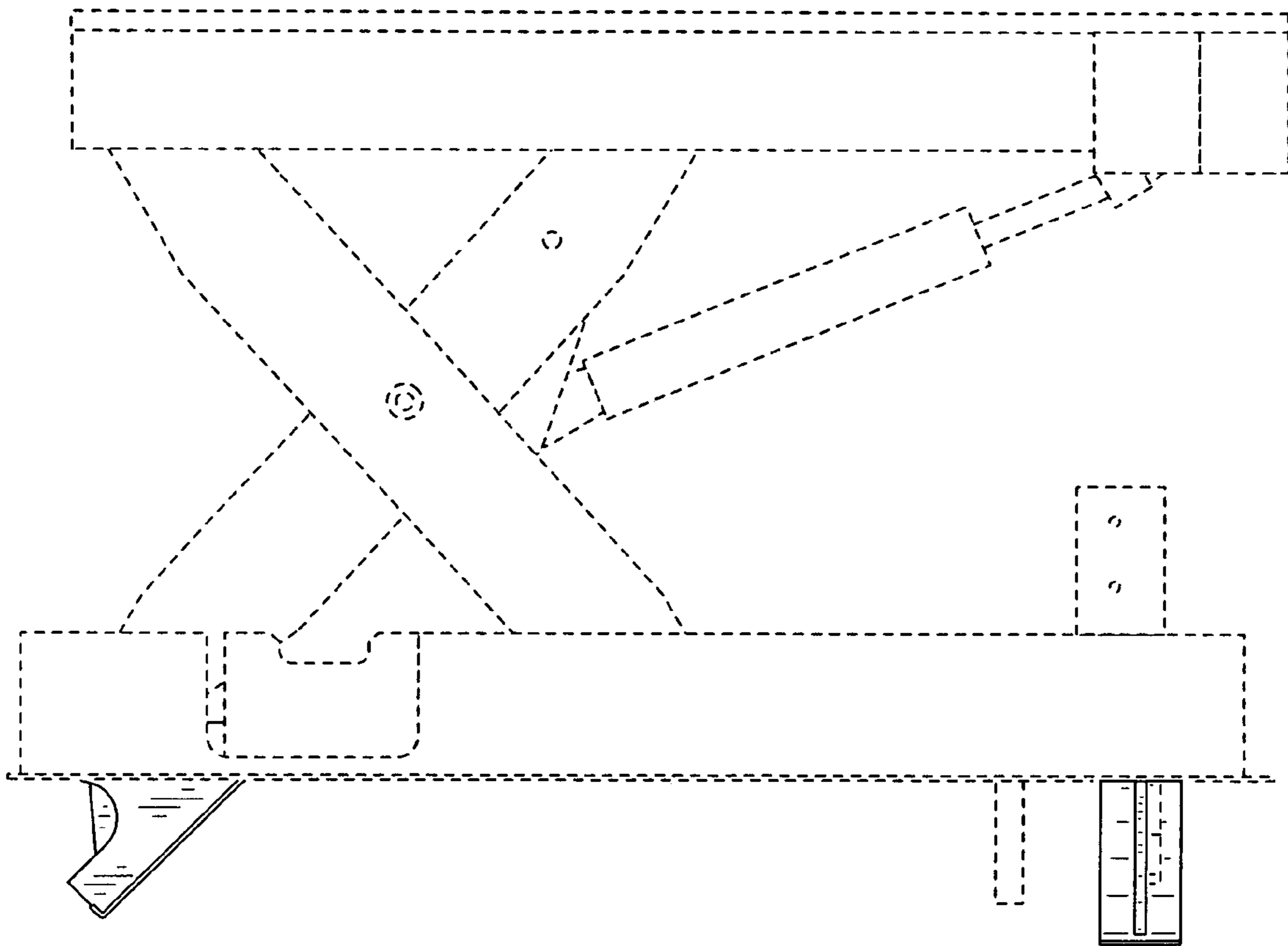


Fig.6

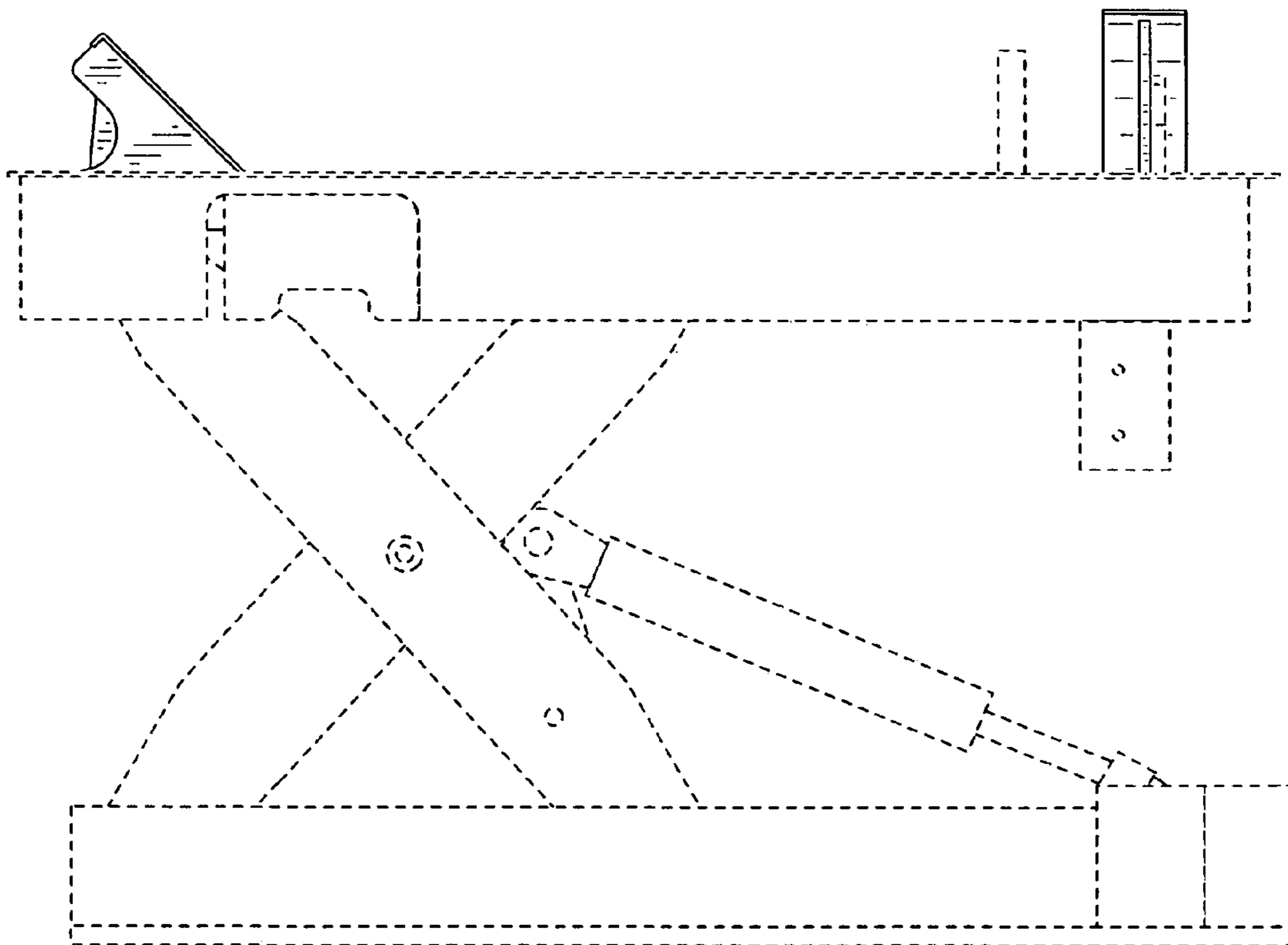




Fig.7

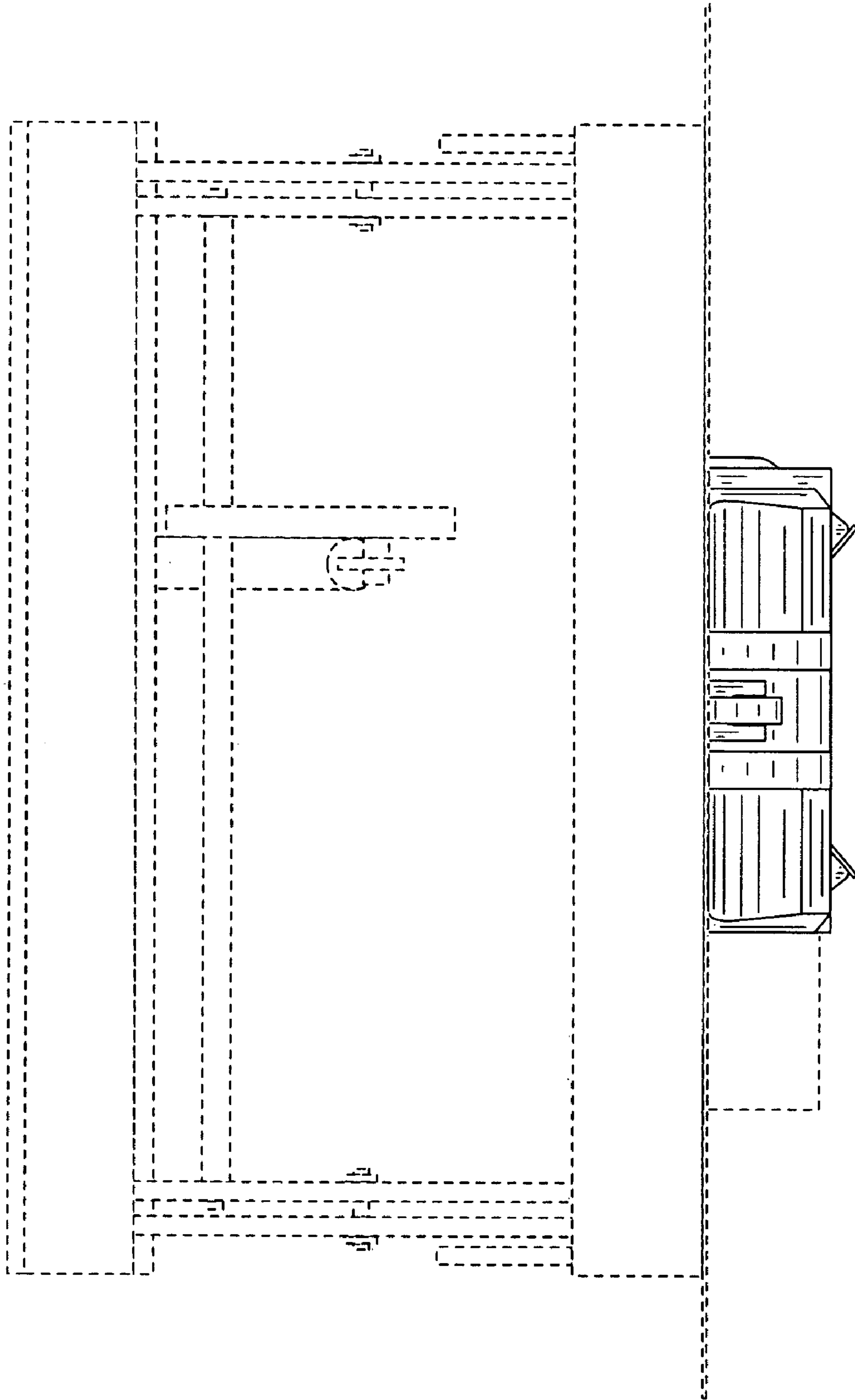




Fig.8

