



US00D562826S

(12) **United States Design Patent**
Willis

(10) **Patent No.:** **US D562,826 S**

(45) **Date of Patent:** **** Feb. 26, 2008**

(54) **DOCKING STATION FOR ELECTRONIC
PLAYER**

D551,251 S * 9/2007 Horio D14/496

(76) Inventor: **Stephen G. Willis**, 3638 E. Cliffe Dr.,
Richfield, WI (US) 53076

* cited by examiner

Primary Examiner—Prabhakar Deshmukh
(74) *Attorney, Agent, or Firm*—Andrus, Scales, Starke &
Sawall, LLP

(**) Term: **14 Years**

(21) Appl. No.: **29/264,331**

(57) **CLAIM**

(22) Filed: **Aug. 8, 2006**

The ornamental design for a docking station for electronic
player, as shown and described.

(51) **LOC (8) Cl.** **14-02**

(52) **U.S. Cl.** **D14/434; D14/496**

(58) **Field of Classification Search** D14/432,
D14/434, 496, 447, 433, 188, 192, 357; D13/107,
D13/199; 345/156, 901, 905; 361/600,
361/683, 686; 455/557, 556.1; 273/148 B;
463/1, 46, 47; 248/309.1, 310

See application file for complete search history.

DESCRIPTION

FIG. 1 is a perspective view of a docking station for
electronic player showing my new design, shown in it's
environmental use;

FIG. 2 is an enlarged perspective view thereof;

FIG. 3 is a front elevational view thereof;

FIG. 4 is a top plan view thereof;

FIG. 5 is a left side elevational view thereof;

FIG. 6 is a right side elevational view thereof;

FIG. 7 is a bottom plan view thereof; and,

FIG. 8 is a rear elevational view thereof.

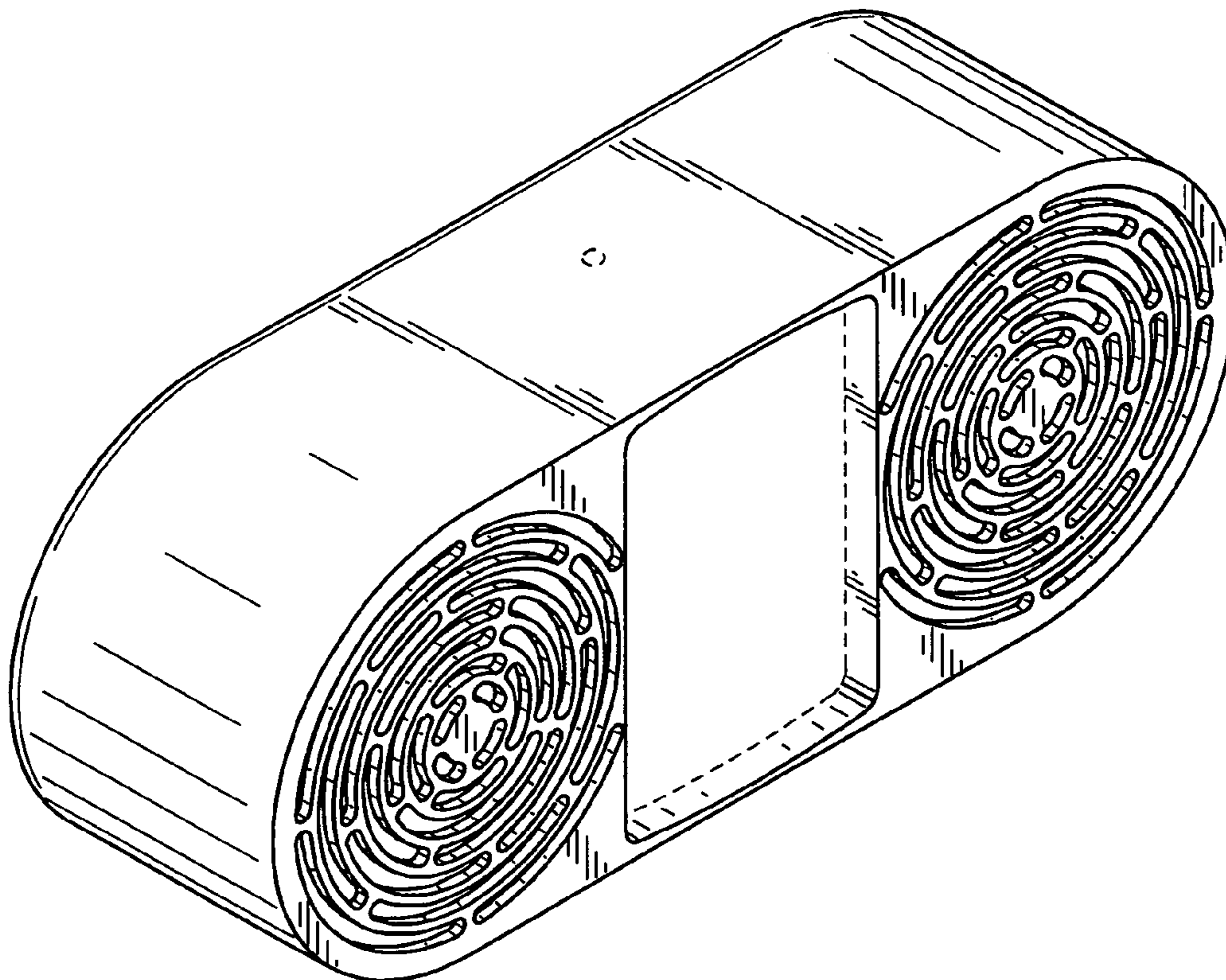
The broken lines environmental are for illustrative purpose
only and form no part thereof.

(56) **References Cited**

U.S. PATENT DOCUMENTS

D270,460	S	*	9/1983	Burtoft et al.	D21/329
4,512,567	A	*	4/1985	Phillips	463/37
5,317,336	A	*	5/1994	Hall	345/164
D432,585	S	*	10/2000	Okabe	D21/324
D433,075	S	*	10/2000	Larian	D21/329
D484,546	S	*	12/2003	Horchler	D21/329
D527,005	S	*	8/2006	Navarrez et al.	D14/401
D548,749	S	*	8/2007	Schmidt et al.	D14/496

1 Claim, 4 Drawing Sheets



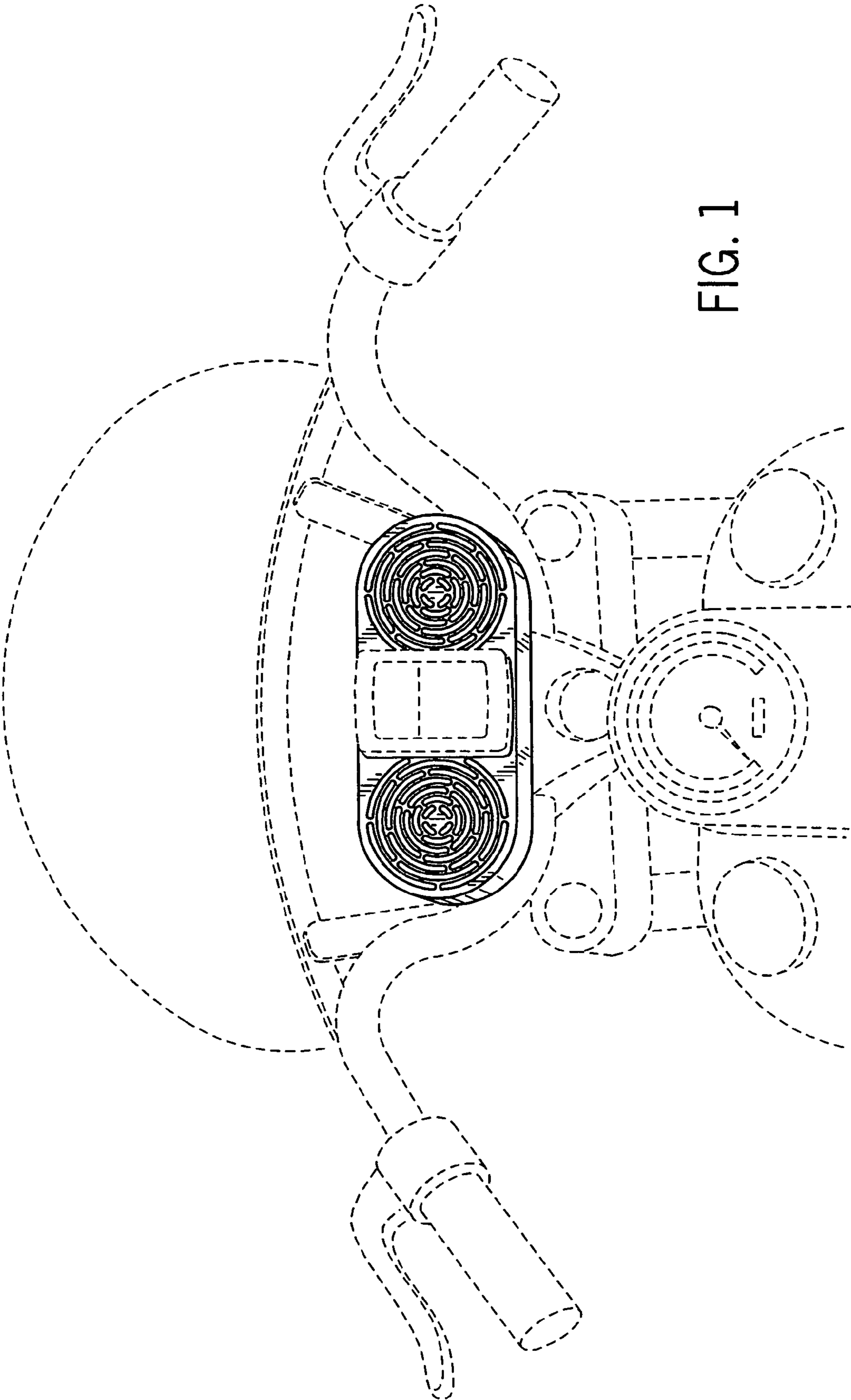


FIG. 1

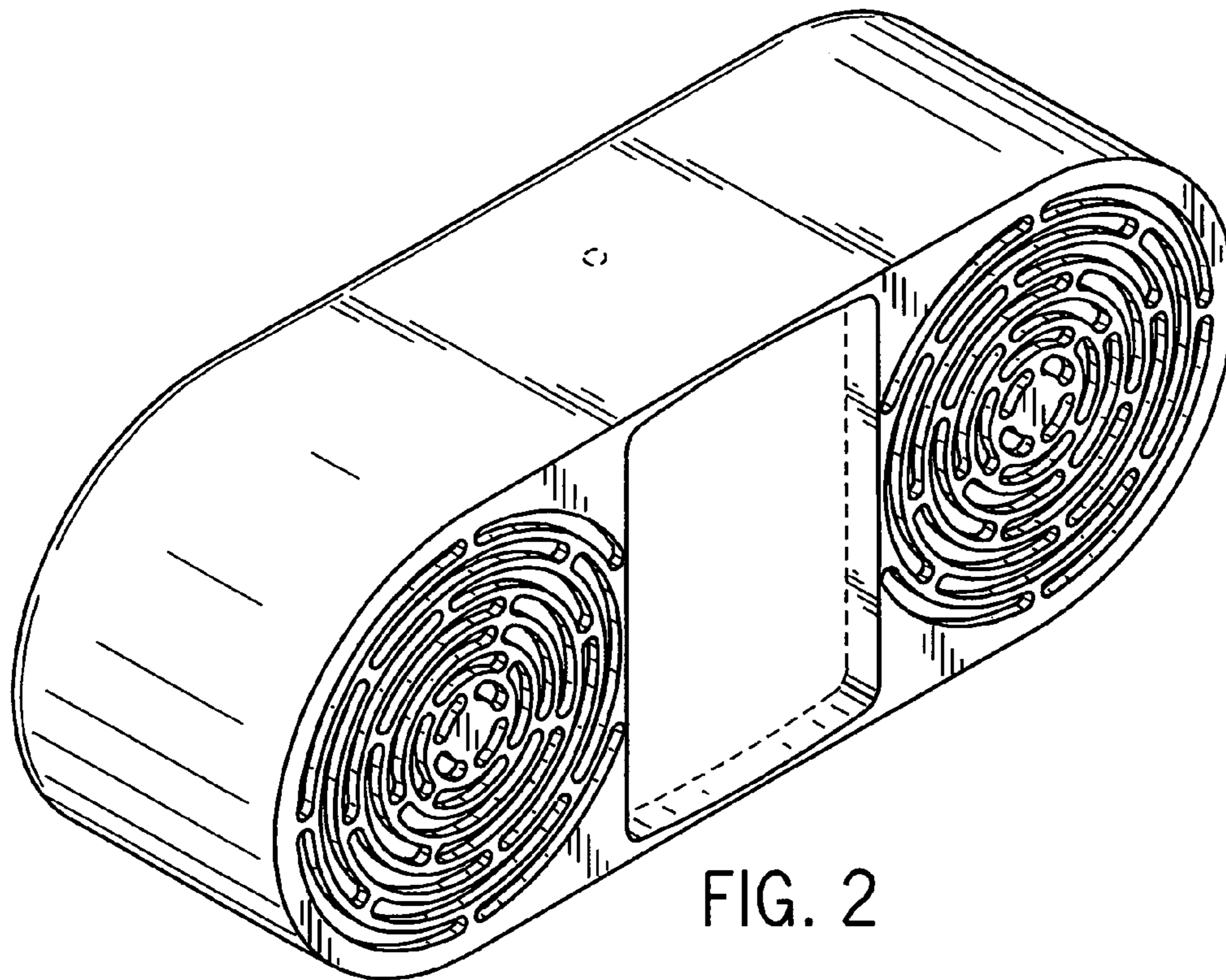


FIG. 2

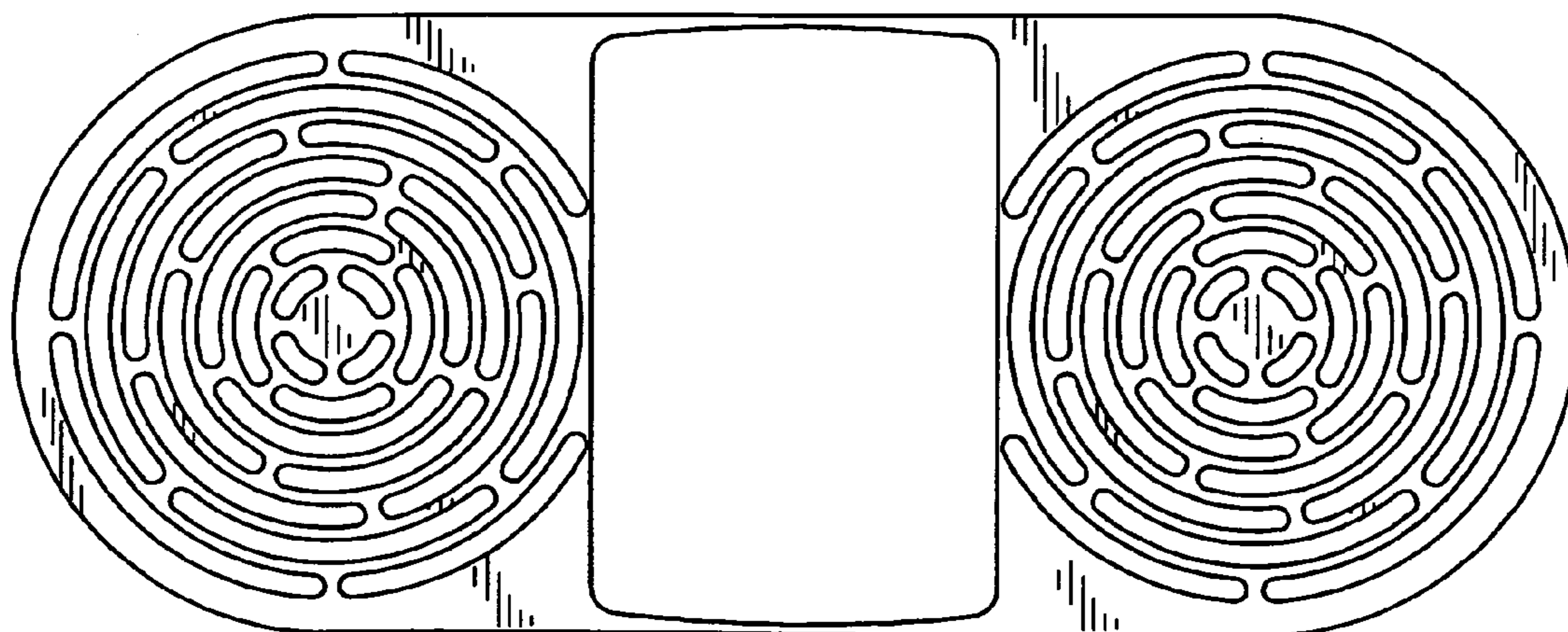


FIG. 3

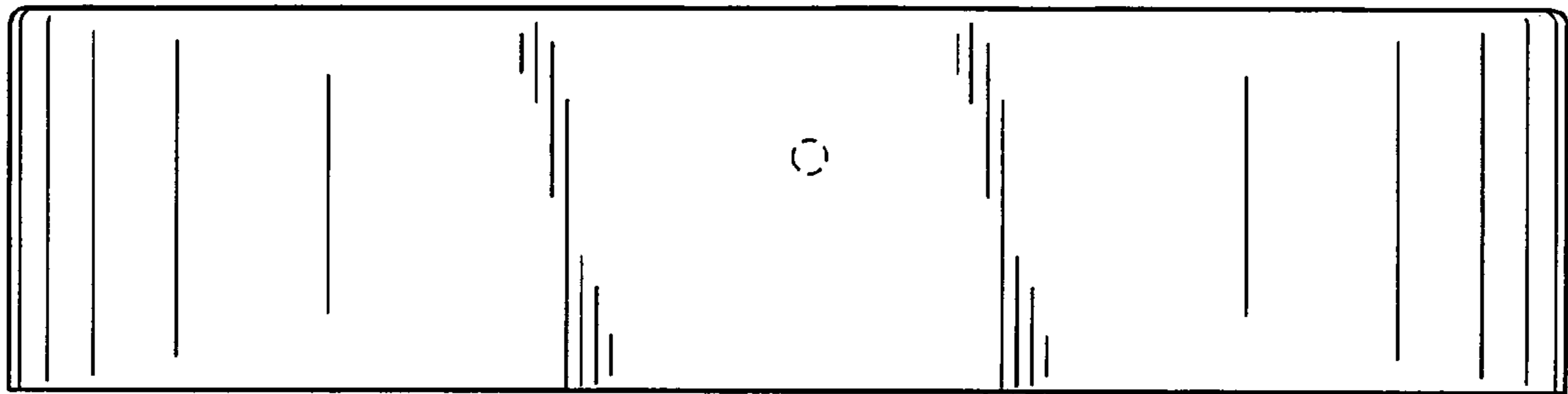


FIG. 4

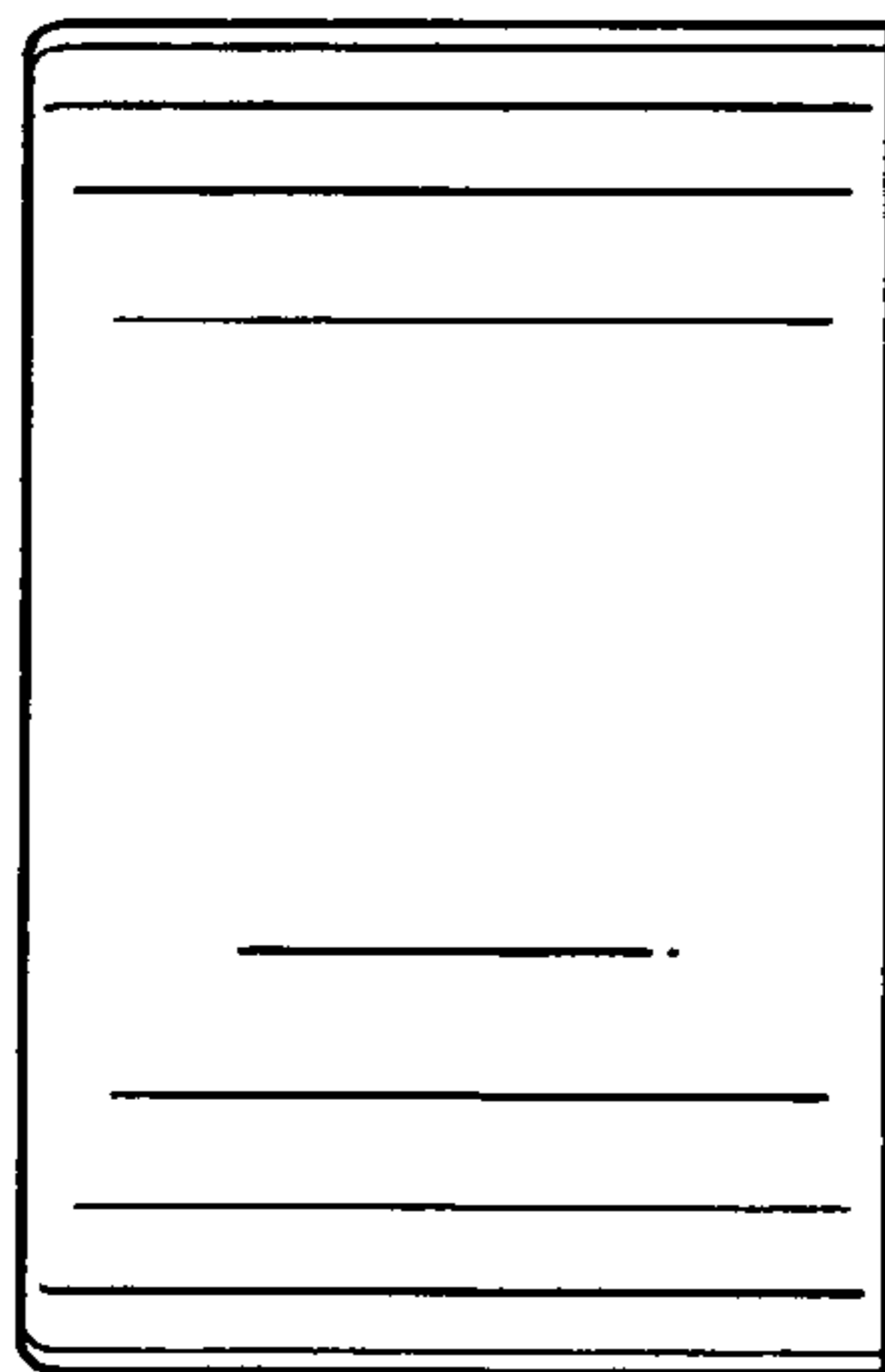


FIG. 5

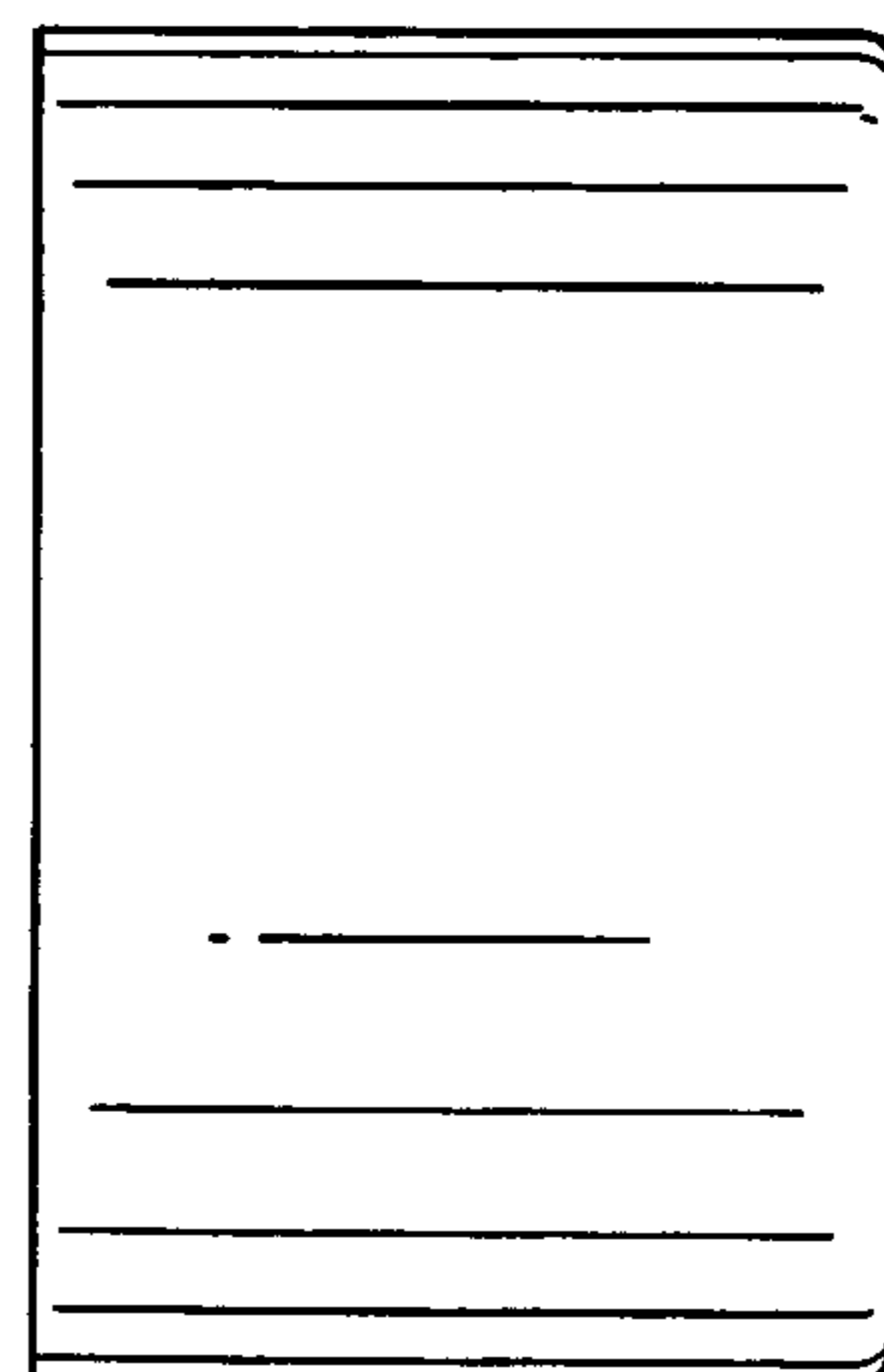


FIG. 6

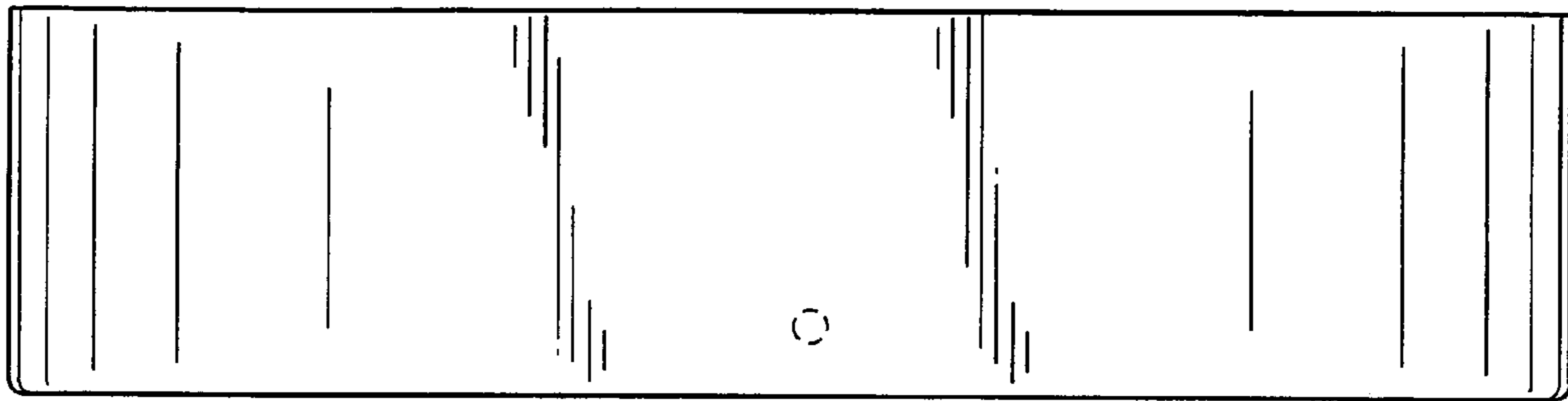


FIG. 7

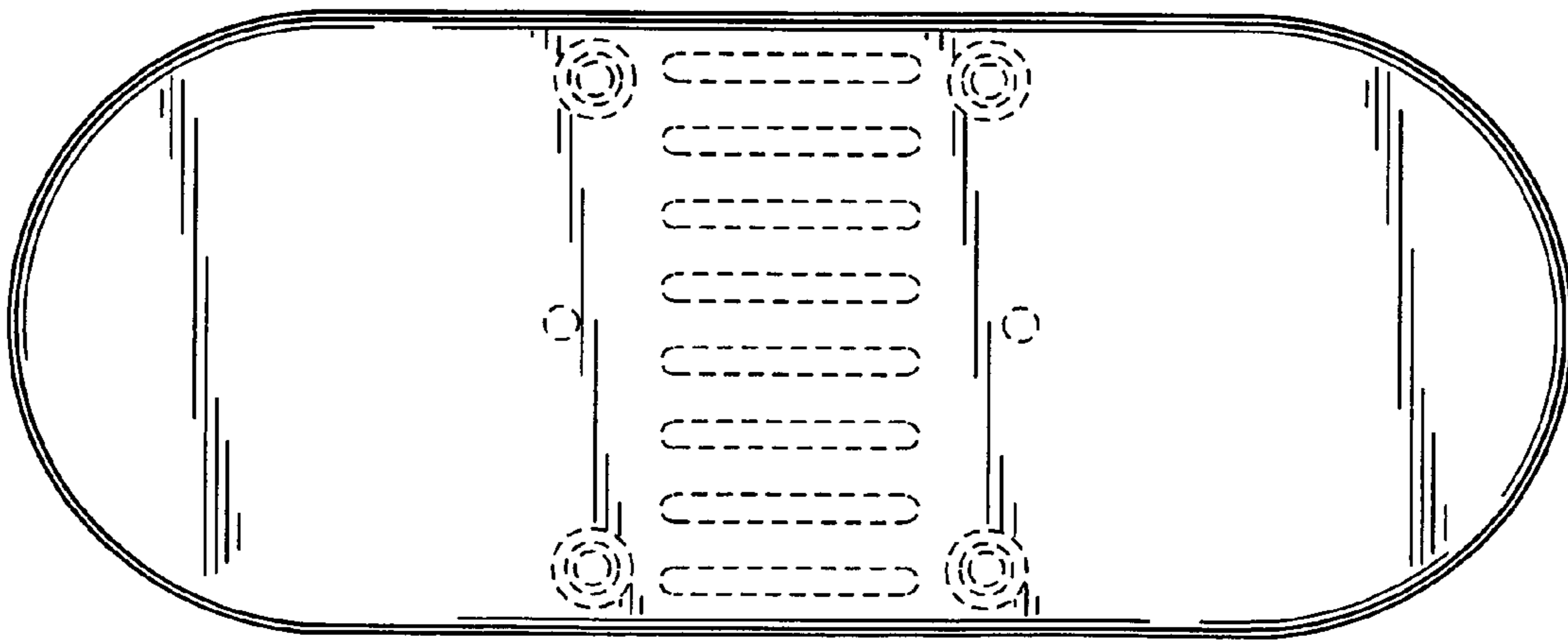


FIG. 8