



US00D562824S

(12) **United States Design Patent**  
**Yoo**

(10) **Patent No.:** **US D562,824 S**

(45) **Date of Patent:** **\*\* Feb. 26, 2008**

(54) **MOUSE**

(75) Inventor: **Soo Ok Yoo**, Seoul (KR)

(73) Assignee: **INDIGOLAB Co., Ltd.** (KR)

(\*\*) Term: **14 Years**

(21) Appl. No.: **29/283,276**

(22) Filed: **Aug. 9, 2007**

(30) **Foreign Application Priority Data**

Jun. 4, 2007 (KR) ..... 30-2007-0024066

(51) **LOC (8) Cl.** ..... **14-02**

(52) **U.S. Cl.** ..... **D14/409**

(58) **Field of Classification Search** ..... D14/402-410,  
D14/417; 235/472.01; 345/156-167; 365/49;  
463/36-38; 200/5 A, 5 R, 6 A, 6 R; 273/148 B  
See application file for complete search history.

(56) **References Cited**

**U.S. PATENT DOCUMENTS**

- D381,970 S \* 8/1997 Gasca ..... D14/405
- D396,034 S \* 7/1998 Whiteing ..... D14/405
- D411,992 S \* 7/1999 Willner et al. .... D14/388

- D418,824 S \* 1/2000 Reid et al. .... D14/409
- D442,958 S \* 5/2001 Funakoshi et al. .... D14/402
- D443,273 S \* 6/2001 Solland et al. .... D14/402
- D511,518 S \* 11/2005 Wu et al. .... D14/410

\* cited by examiner

*Primary Examiner*—Pamela J. Burgess

(74) *Attorney, Agent, or Firm*—St. Onge Steward Johnston & Reens LLC

(57) **CLAIM**

The ornamental design for mouse, as shown and described.

**DESCRIPTION**

FIG. 1 is a perspective view of a mouse in accordance with the new design;

FIG. 2 is a front view thereof;

FIG. 3 is a rear view thereof;

FIG. 4 is a left side view thereof;

FIG. 5 is a right side view thereof;

FIG. 6 is a top plan view thereof; and,

FIG. 7 is a bottom plan view thereof.

**1 Claim, 4 Drawing Sheets**

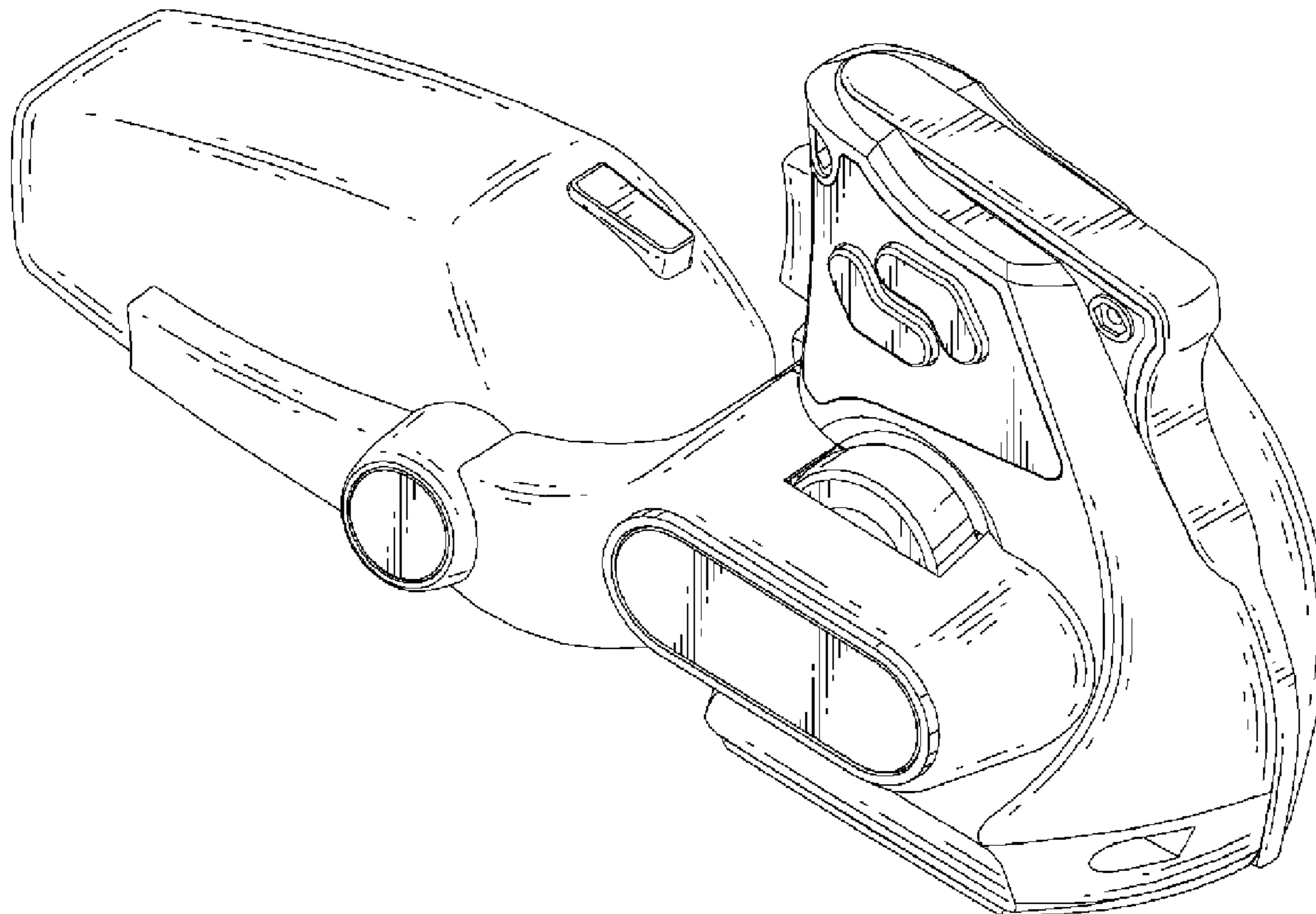


FIG. 1

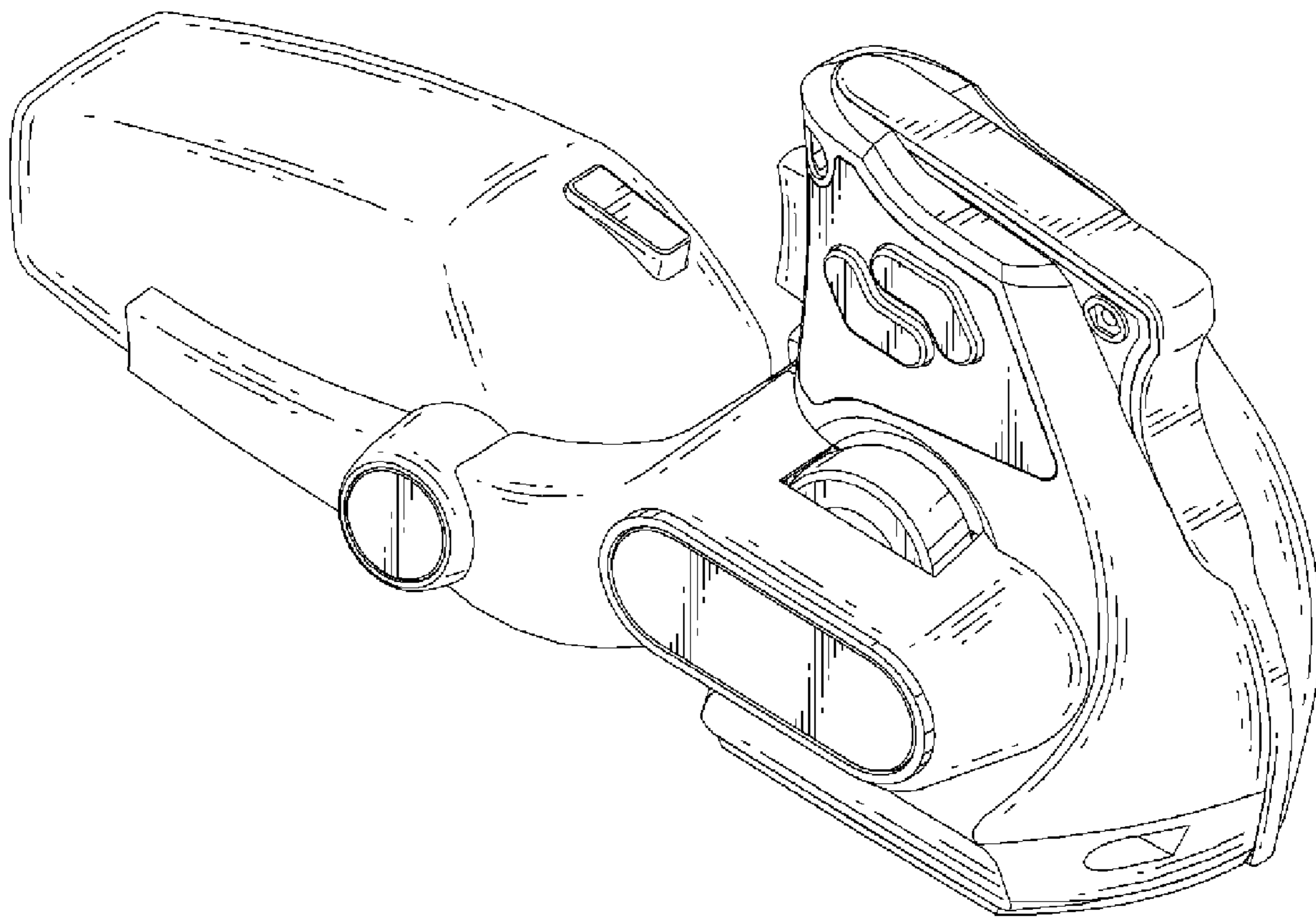


FIG. 2

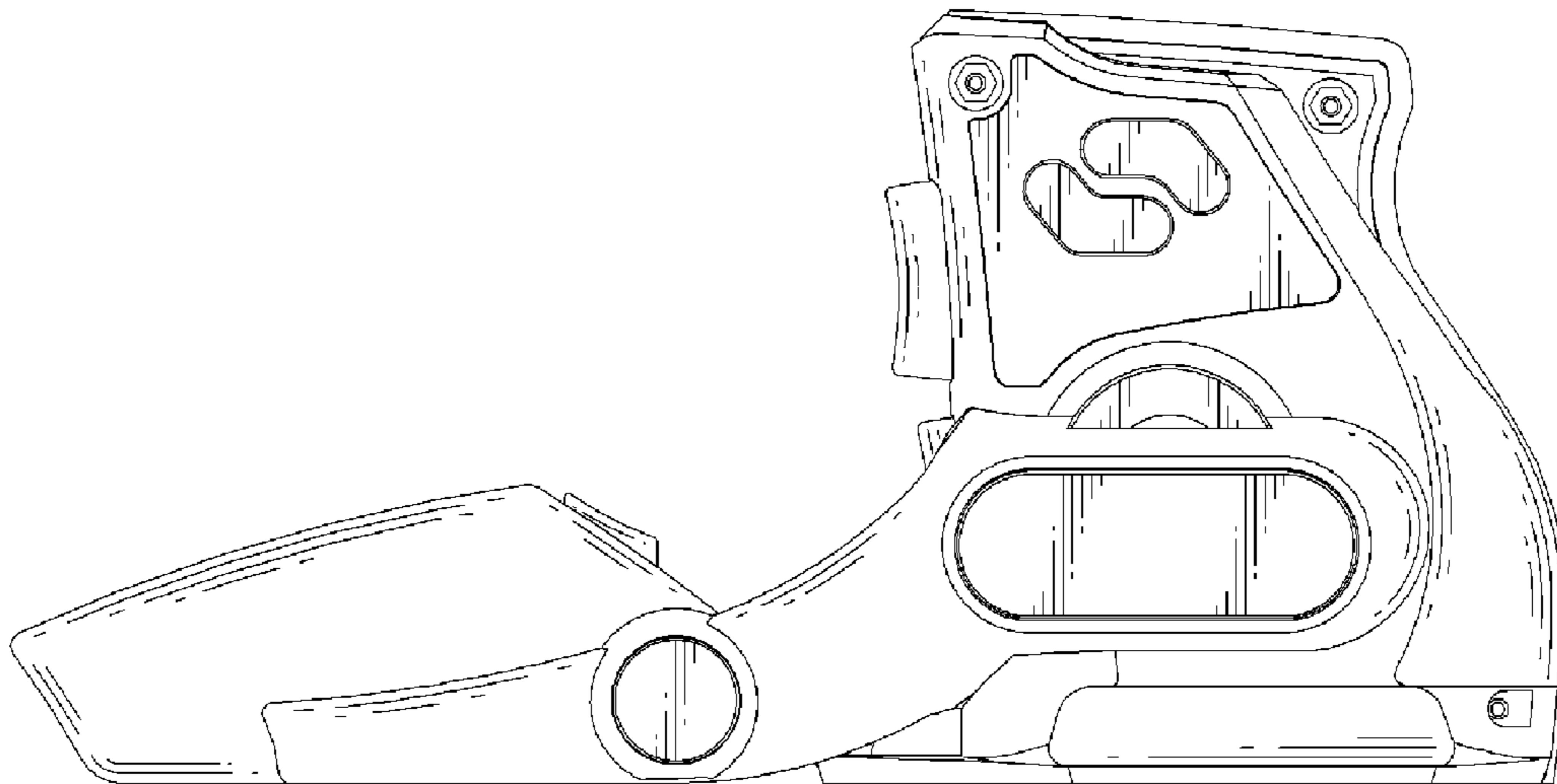


FIG. 3

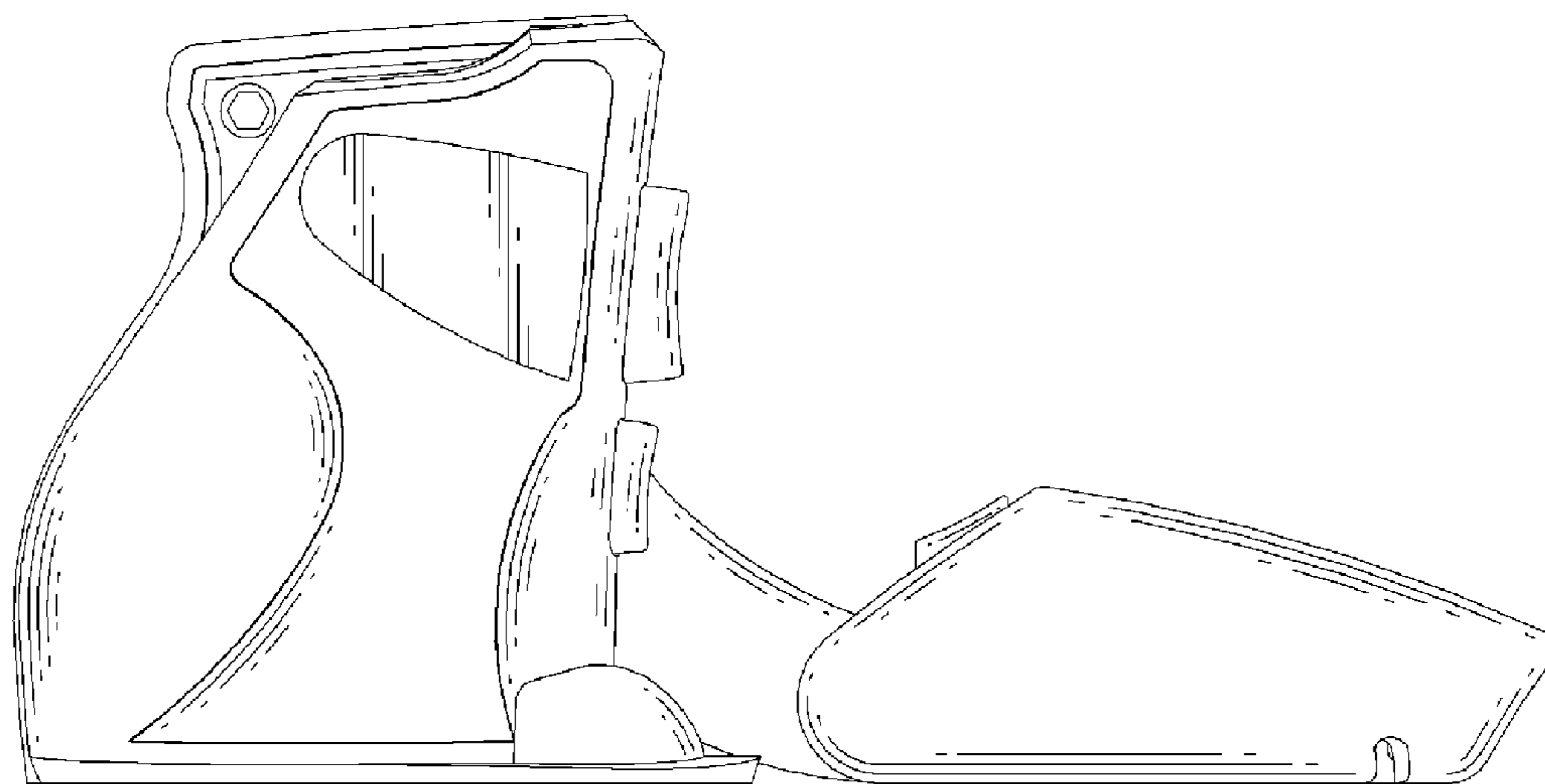


FIG. 4

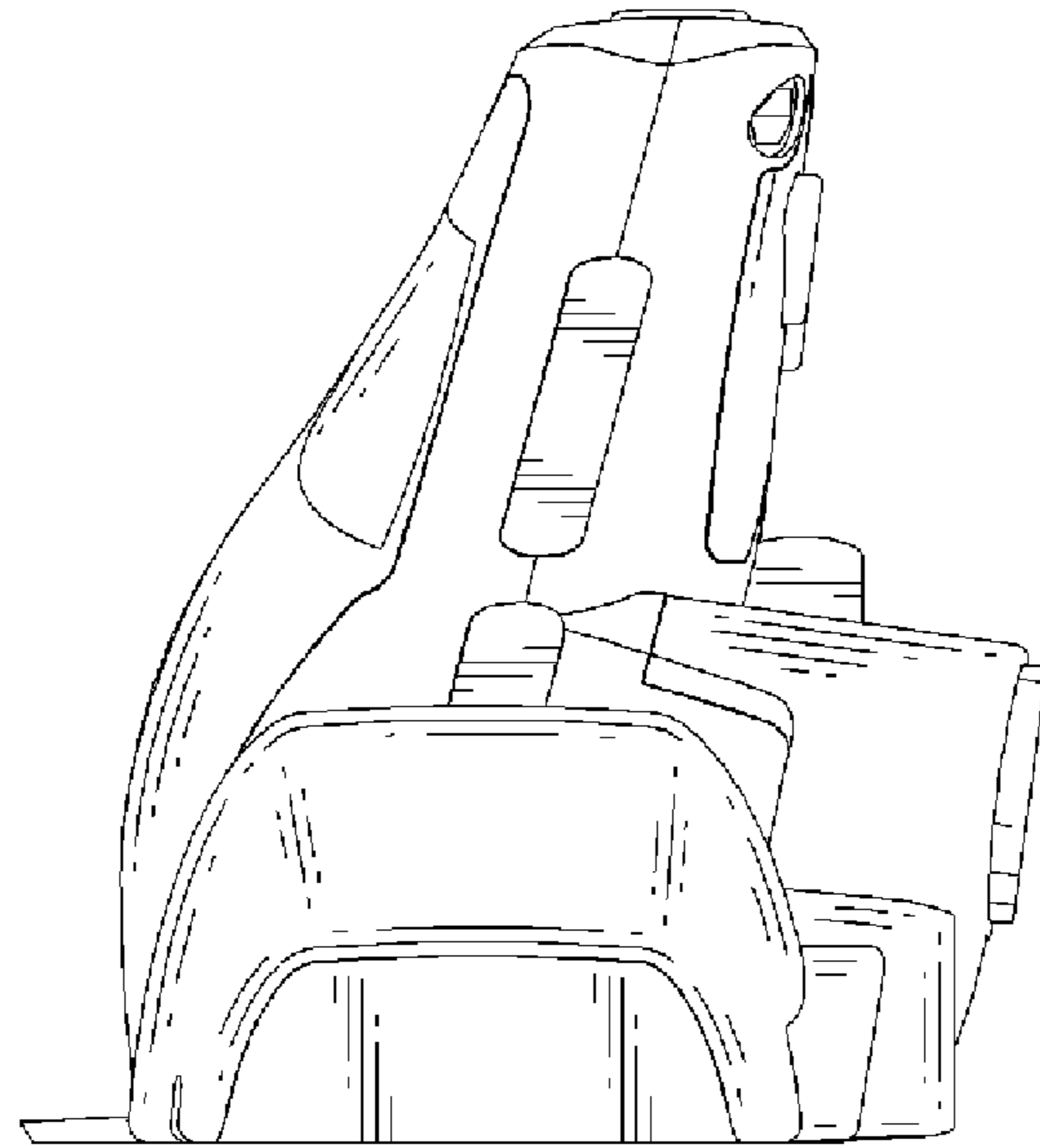


FIG. 5

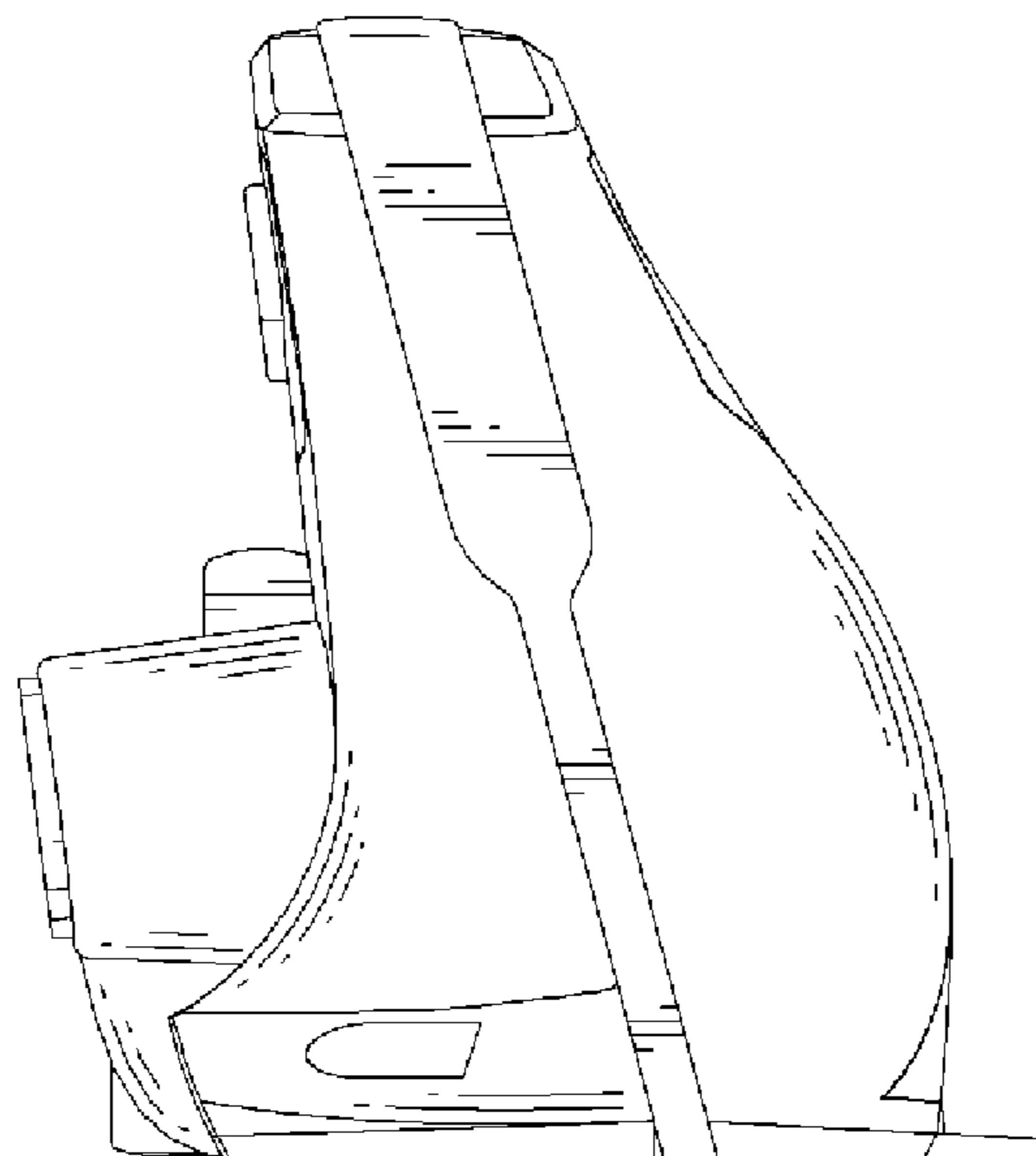


FIG. 6

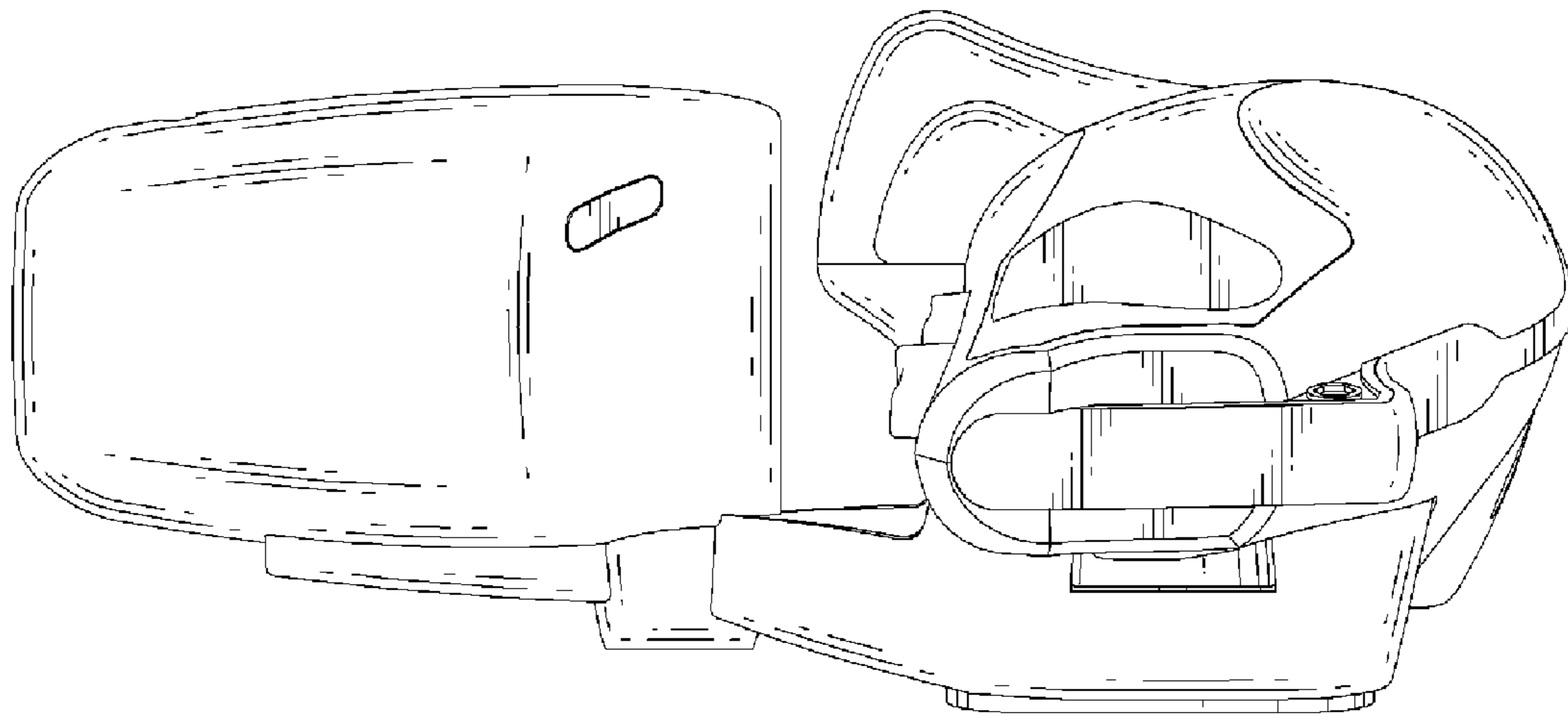


FIG. 7

