



US00D562819S

(12) **United States Design Patent**
Yu et al.

(10) **Patent No.: US D562,819 S**
(45) **Date of Patent: ** Feb. 26, 2008**

(54) **MEMORY CARD READER**

(75) Inventors: **Tzu-Cheng Yu**, Santa Clara, CA (US);
Wei Hu, Shenzhen (CN); **Yu-Qing Geng**, Shenzhen (CN)

(73) Assignees: **ShenZhen FuTaiHong Precision Industry Co., Ltd.**, Shenzhen, Guangdong Province (CN); **Sutech Trading Limited**, Tortola (VG)

(**) Term: **14 Years**

(21) Appl. No.: **29/275,534**

(22) Filed: **Dec. 29, 2006**

(30) **Foreign Application Priority Data**

Dec. 13, 2006 (CN) 2006 3 0155426

(51) **LOC (8) Cl.** **14-02**

(52) **U.S. Cl.** **D14/385**

(58) **Field of Classification Search** D14/240,
D14/356-358, 363, 365, 367-370, 383-386,
D14/389, 432, 434, 441, 442, 344, 347, 387,
D14/125, 341, 433, 439; D18/4.1-4.6; D13/162,
D13/164, 177, 184; 361/684, 686, 728, 747;
235/382, 382.5, 476, 482, 483
See application file for complete search history.

(56) **References Cited**

U.S. PATENT DOCUMENTS

5,526,227 A * 6/1996 Satou et al. 361/684
5,559,317 A * 9/1996 Wong et al. 235/482

D410,457 S * 6/1999 Eyley D14/432
D422,578 S * 4/2000 Bertrand et al. D14/385
D439,579 S * 3/2001 Auclair et al. D14/385
D445,422 S * 7/2001 Hsin D14/385
D465,784 S * 11/2002 Lin D14/433
D466,123 S * 11/2002 Johnson et al. D14/435
D482,694 S * 11/2003 Chen D14/433
D484,137 S * 12/2003 Wikel et al. D14/433
D489,069 S * 4/2004 Lin D14/433
6,733,329 B2 * 5/2004 Yang 439/638
D496,364 S * 9/2004 Saito D14/385
D500,041 S * 12/2004 Tsujimoto D14/434
D538,223 S * 3/2007 Yang D14/356

* cited by examiner

Primary Examiner—Cathron Brooks
Assistant Examiner—Deanna Fluegeman
(74) *Attorney, Agent, or Firm*—Wei Te Chung

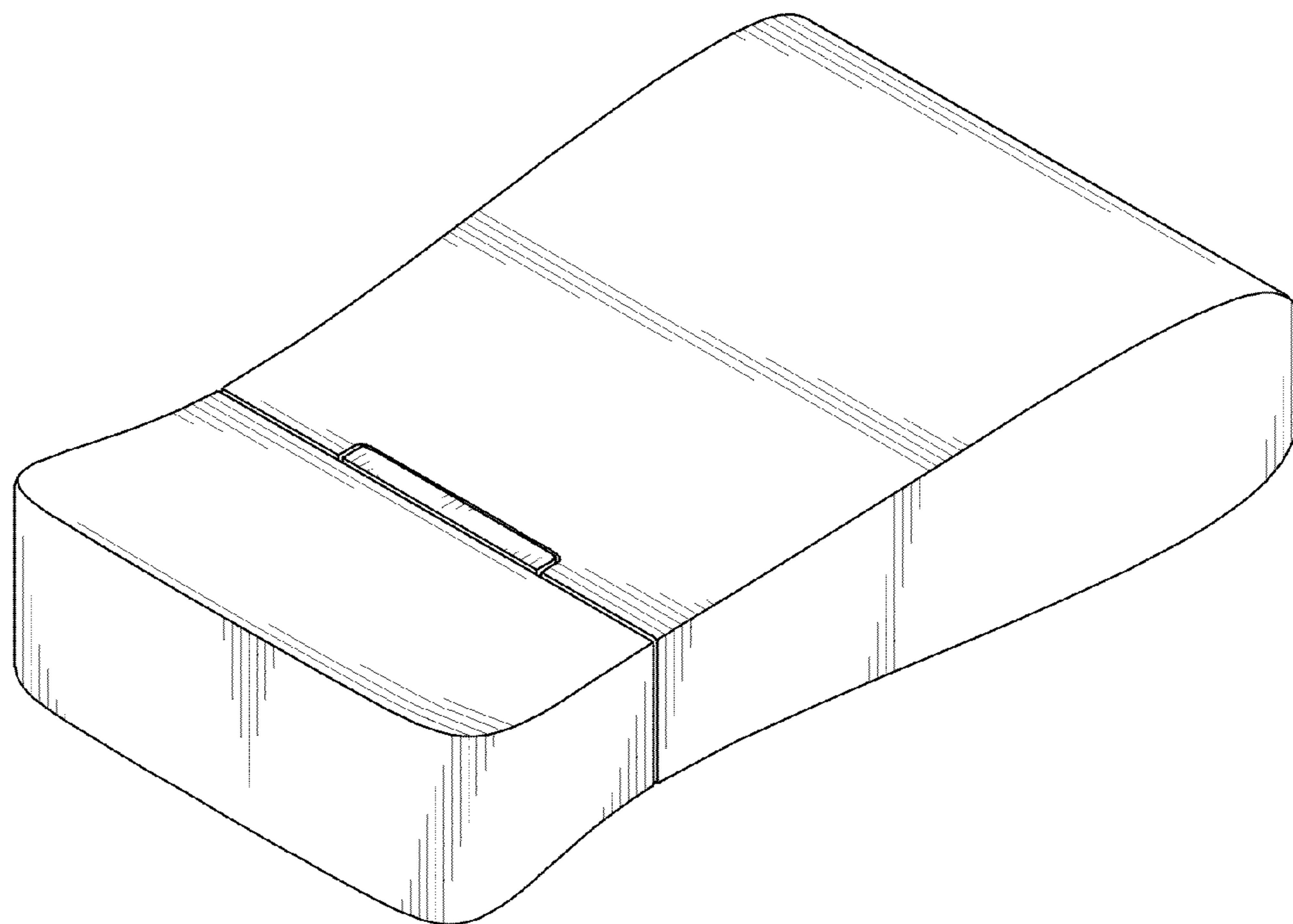
(57) **CLAIM**

The ornamental design for a memory card reader, as shown.

DESCRIPTION

FIG. 1 is a perspective view of a memory card reader showing our new design;
FIG. 2 is a front elevational view thereof;
FIG. 3 is a rear elevational view thereof;
FIG. 4 is a left side elevational view thereof;
FIG. 5 is a right side elevational view thereof;
FIG. 6 is a top plan view thereof; and,
FIG. 7 is a bottom plan view thereof.

1 Claim, 7 Drawing Sheets



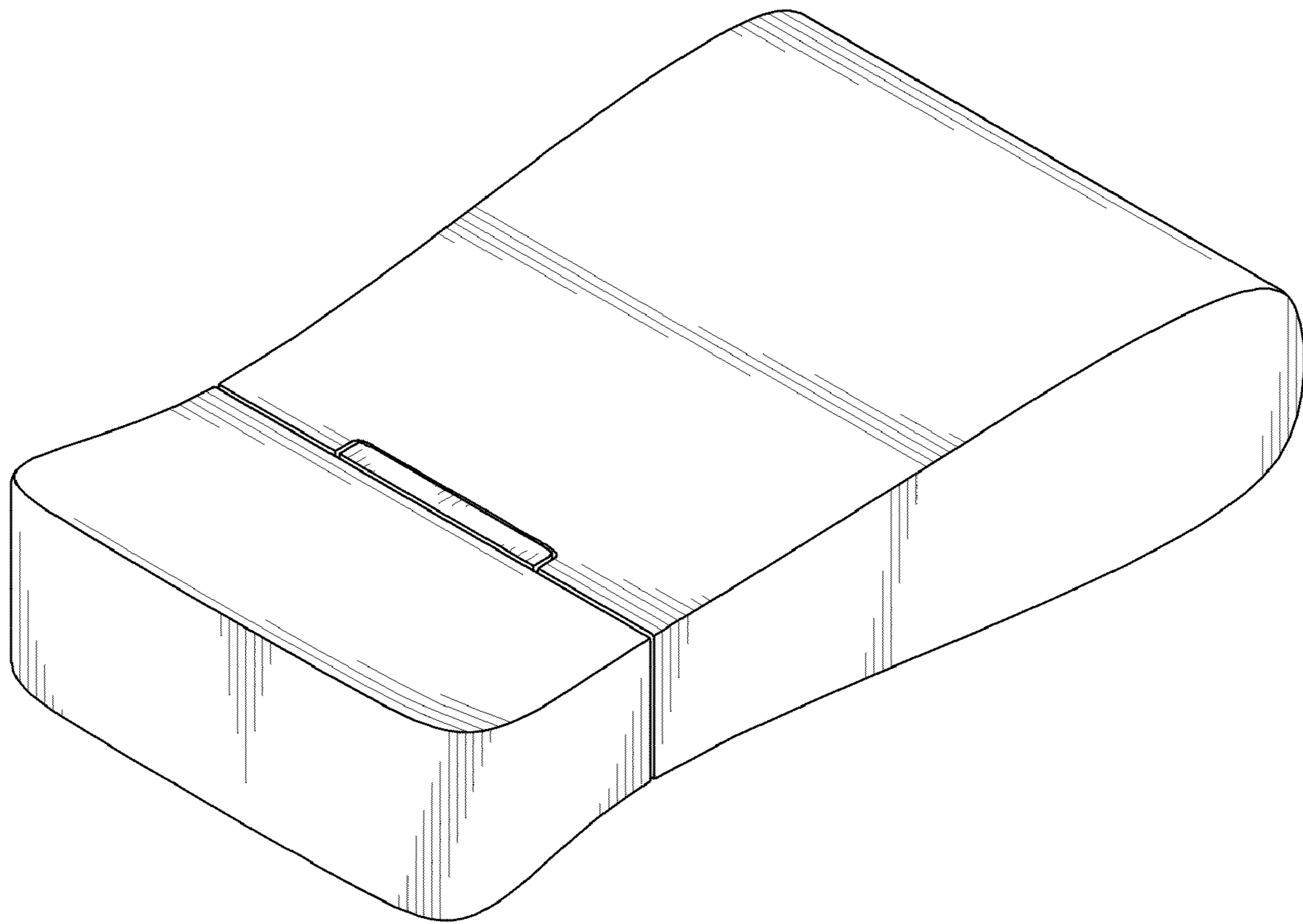


FIG. 1

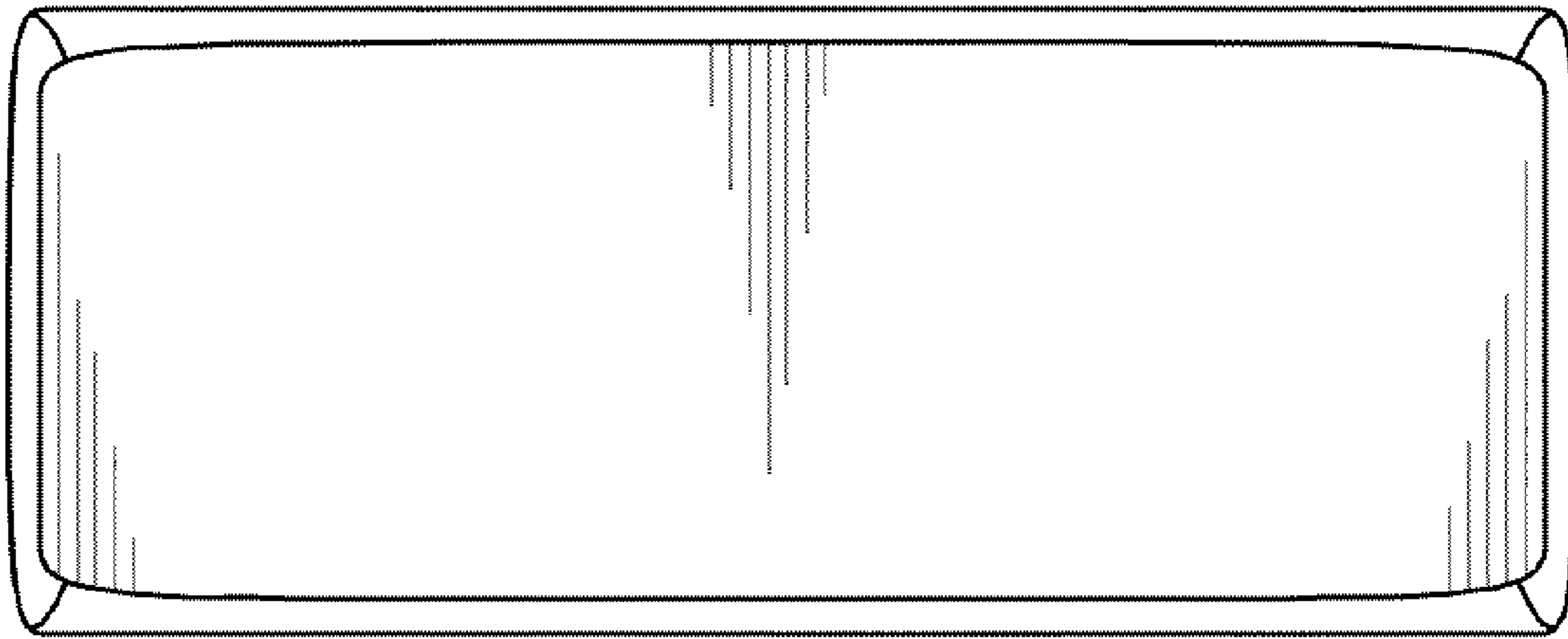


FIG. 2

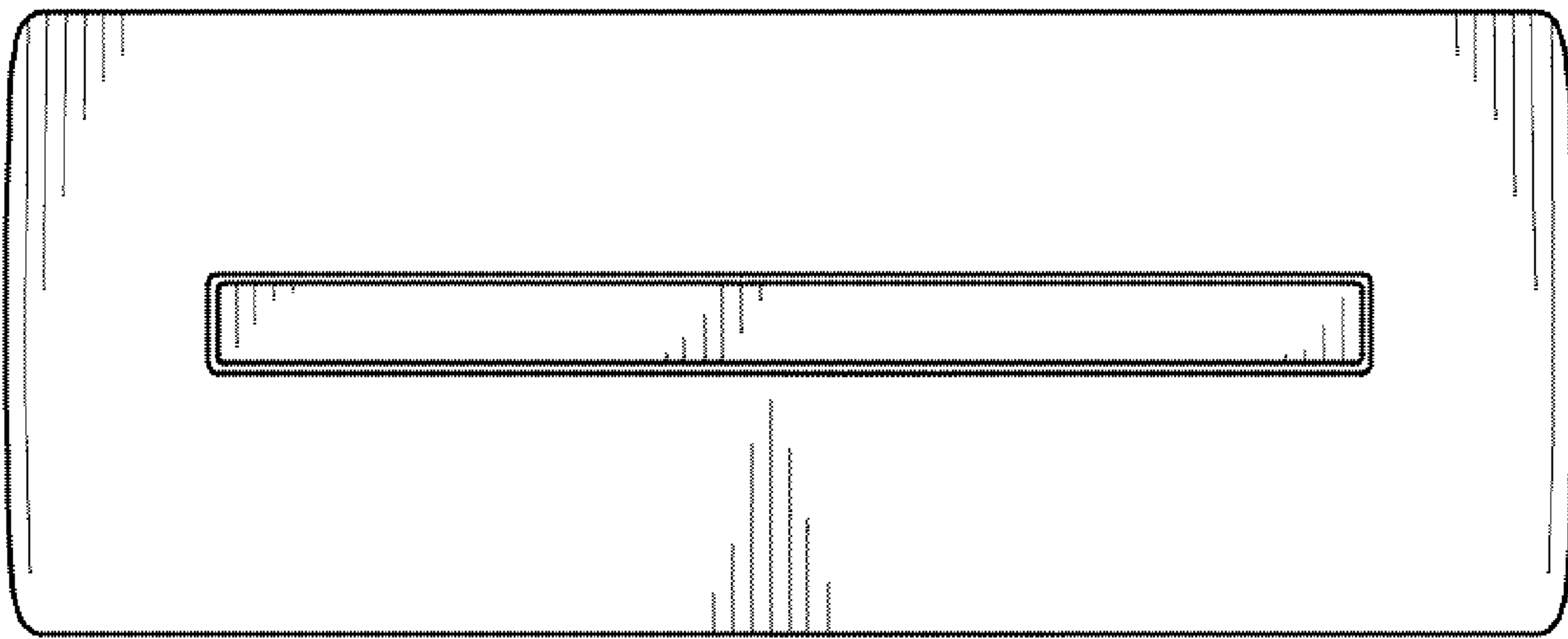


FIG. 3

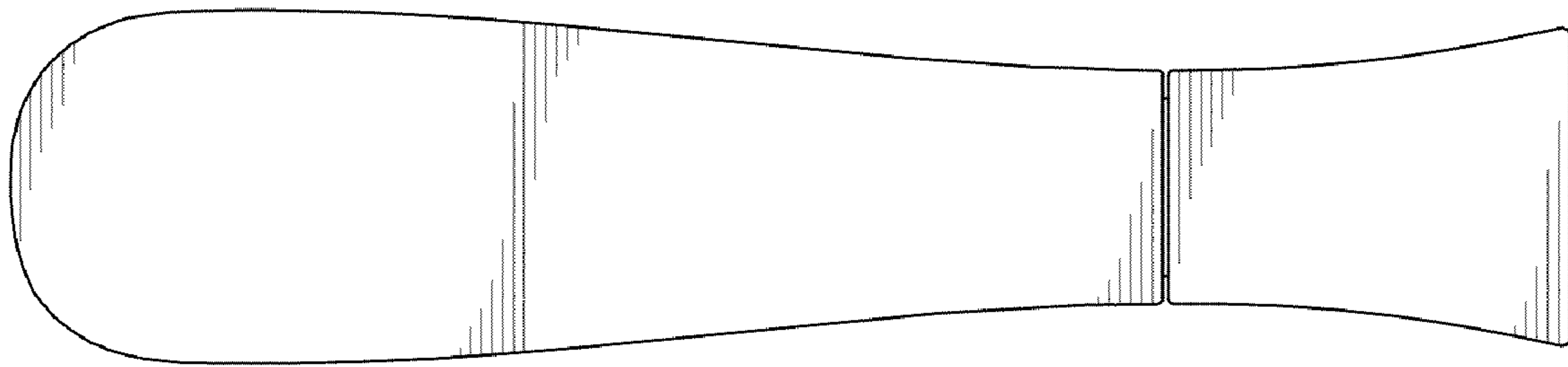


FIG. 4

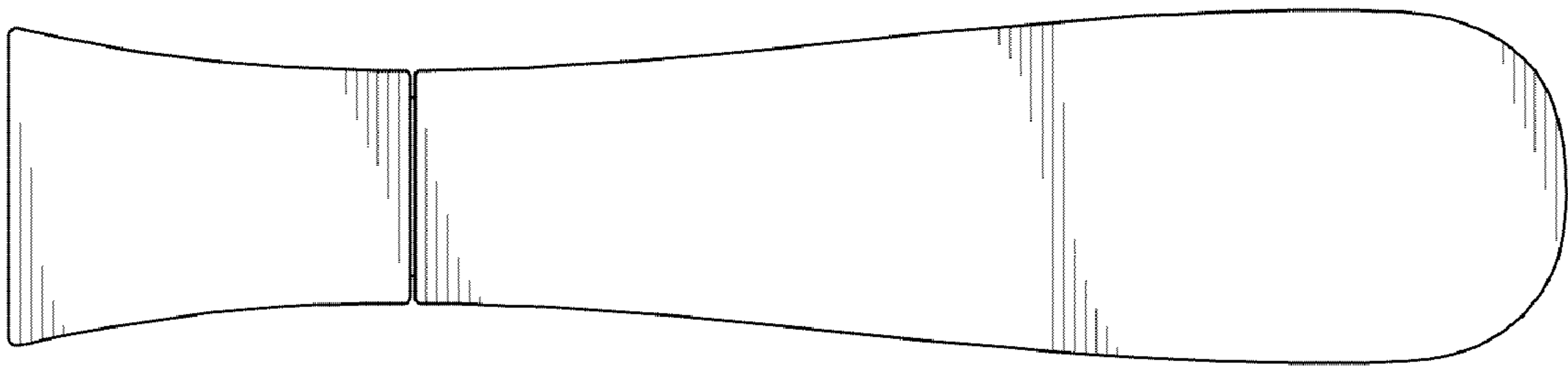


FIG. 5

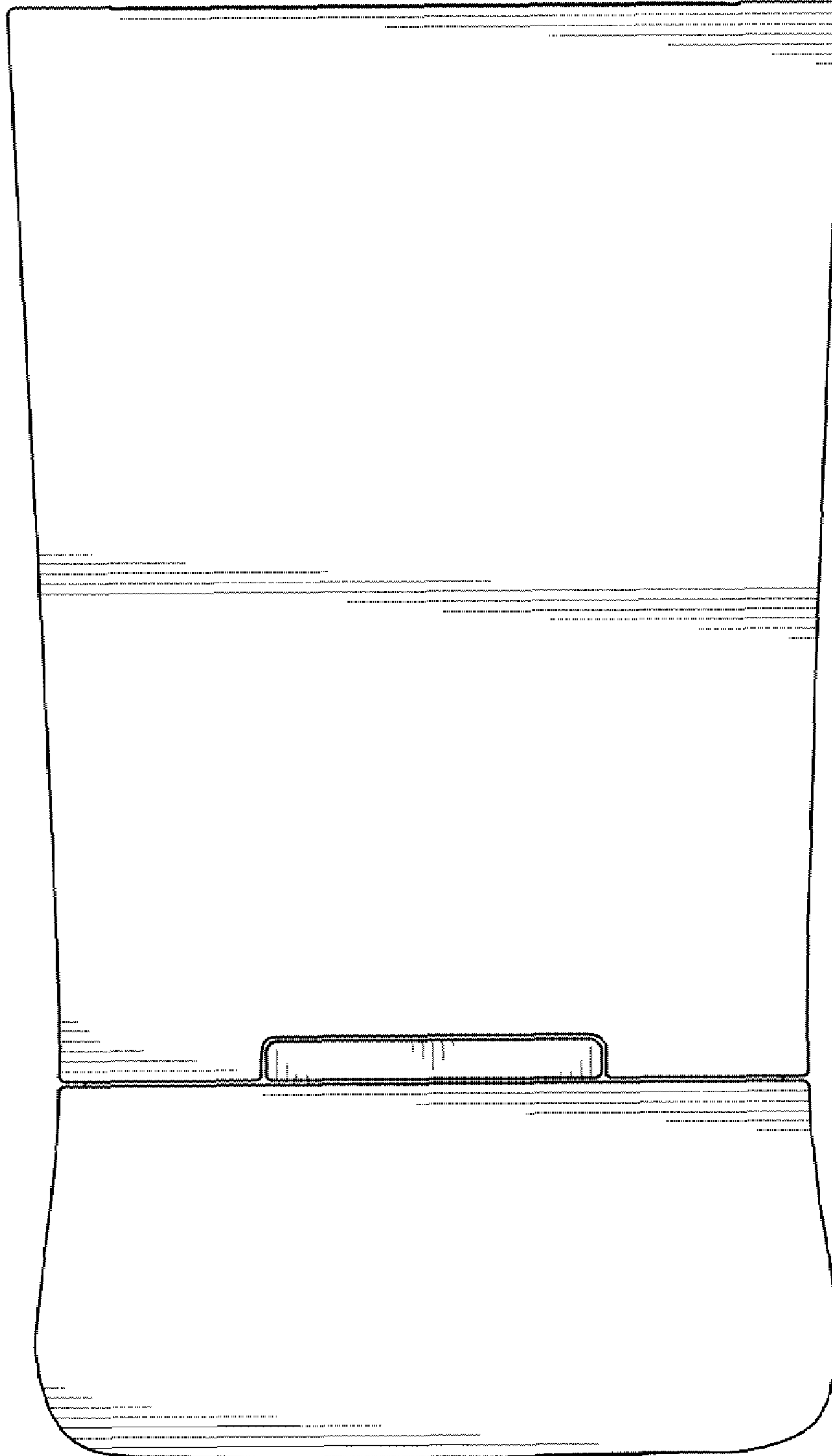


FIG. 6

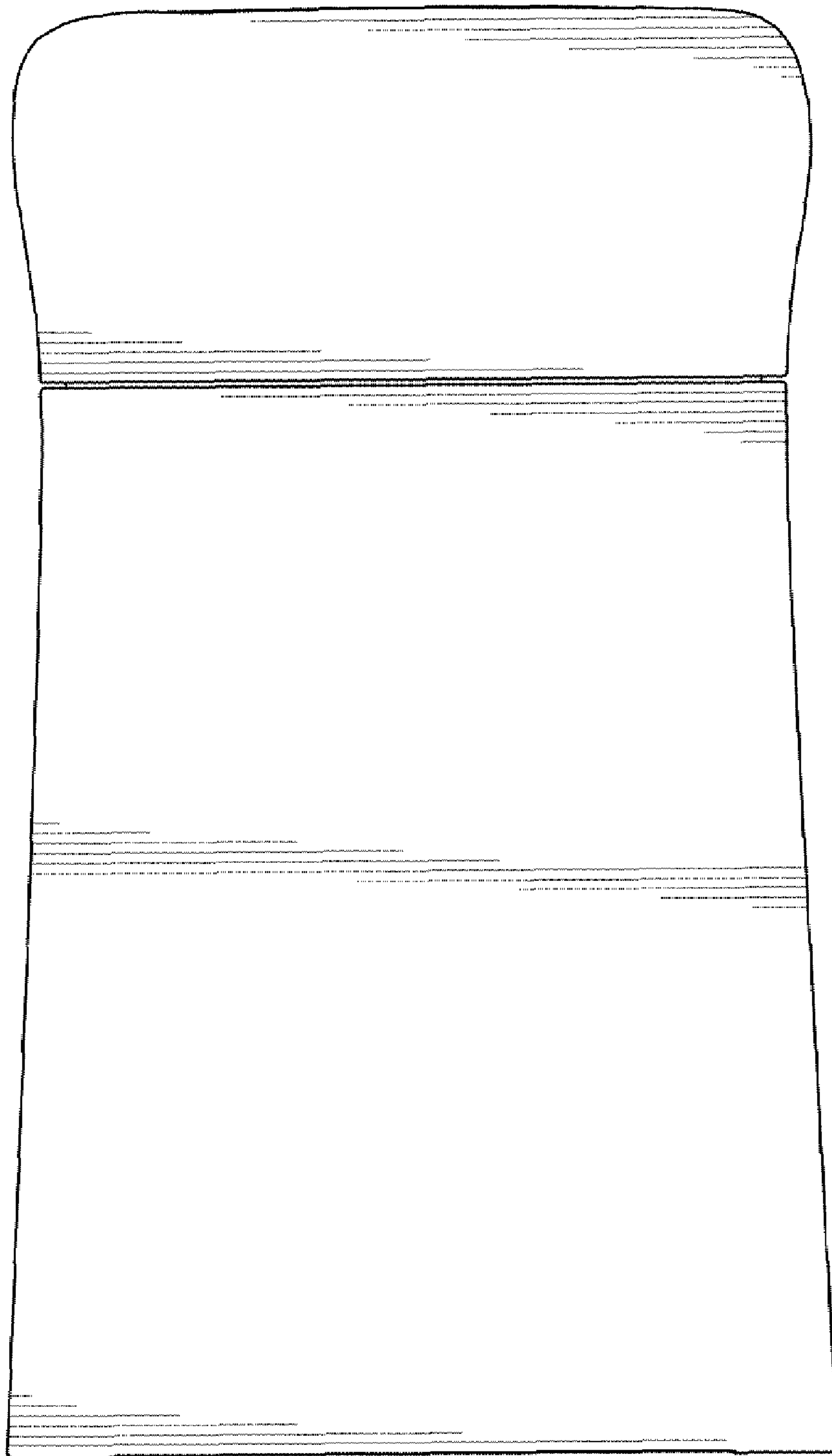


FIG. 7