

US00D562815S

(12) **United States Design Patent** (10) **Patent No.:** **US D562,815 S**
Di et al. (45) **Date of Patent:** **** Feb. 26, 2008**

(54) **FRONT COVER OF A HANDSET**

(75) Inventors: **Tao Di**, Beijing (CN); **William Yau**, Chao Yang District (CN); **Antti Kujala**, Helsinki (FI)

(73) Assignee: **Nokia Corporation**, Espoo (FI)

(**) Term: **14 Years**

(21) Appl. No.: **29/243,554**

(22) Filed: **Nov. 28, 2005**

(30) **Foreign Application Priority Data**

May 27, 2005 (FI) M20050090

(51) **LOC (8) Cl.** **14-03**

(52) **U.S. Cl.** **D14/248**

(58) **Field of Classification Search** D14/137-138, D14/147-148, 156, 218, 247-248, 341-347, D14/496, 390, 399; D16/208; D21/329, D21/331, 333, 517; 348/14.01-14.02; 361/814; 379/433.01-433.13; 455/556.1-556.2, 575.1, 455/575.3, 575.4, 566, 90.3; D13/164, 168; 439/165

See application file for complete search history.

(56) **References Cited**

U.S. PATENT DOCUMENTS

- D492,274 S * 6/2004 Widiaman D14/138
- D504,879 S * 5/2005 Moss D14/138
- D514,079 S * 1/2006 Lai D14/138
- D517,518 S * 3/2006 Nakajima et al. D14/138
- D518,457 S * 4/2006 Lyles D14/138
- D525,229 S * 7/2006 Friesen et al. D14/138
- D532,767 S * 11/2006 Yoshino et al. D14/138
- D536,681 S * 2/2007 Surtouc D14/130
- D538,770 S * 3/2007 Lyles D14/138
- D541,265 S * 4/2007 Sheu D14/248
- D541,781 S * 5/2007 Chen D14/138
- D543,186 S * 5/2007 Kim et al. D14/138
- 2004/0180703 A1 * 9/2004 Kim et al. 455/575.1

FOREIGN PATENT DOCUMENTS

- TW D104130 4/2005
- WO DM/066599 * 4/2005
- WO DM/067978 * 7/2006

OTHER PUBLICATIONS

“LG L341i”, 2 pp including photos, [online], <URL:http://www.gsmarena.com/lg_l341i-pictures-1194.php>, announced 2Q 2005, retrieved May 25, 2007.*

* cited by examiner

Primary Examiner—Ian Simmons

Assistant Examiner—Carla Jobe Wright

(74) *Attorney, Agent, or Firm*—Banner & Witcoff, Ltd.

(57) **CLAIM**

The ornamental design for a front cover of a handset, as shown and described.

DESCRIPTION

FIG. 1 is a bottom plan view of a front cover of a handset showing our new design incorporated in a disclaimed remainder of a handset;

FIG. 2 is a right side view thereof;

FIG. 3 is a front view thereof;

FIG. 4 is a left side view thereof;

FIG. 5 is a top plan view thereof;

FIG. 6 is a rear view thereof;

FIG. 7 is a perspective front view thereof;

FIG. 8 is a perspective rear view thereof;

FIG. 9 is a right side view of a front cover of a handset showing our new design illustrating the front cover in isolation;

FIG. 10 is a front view thereof;

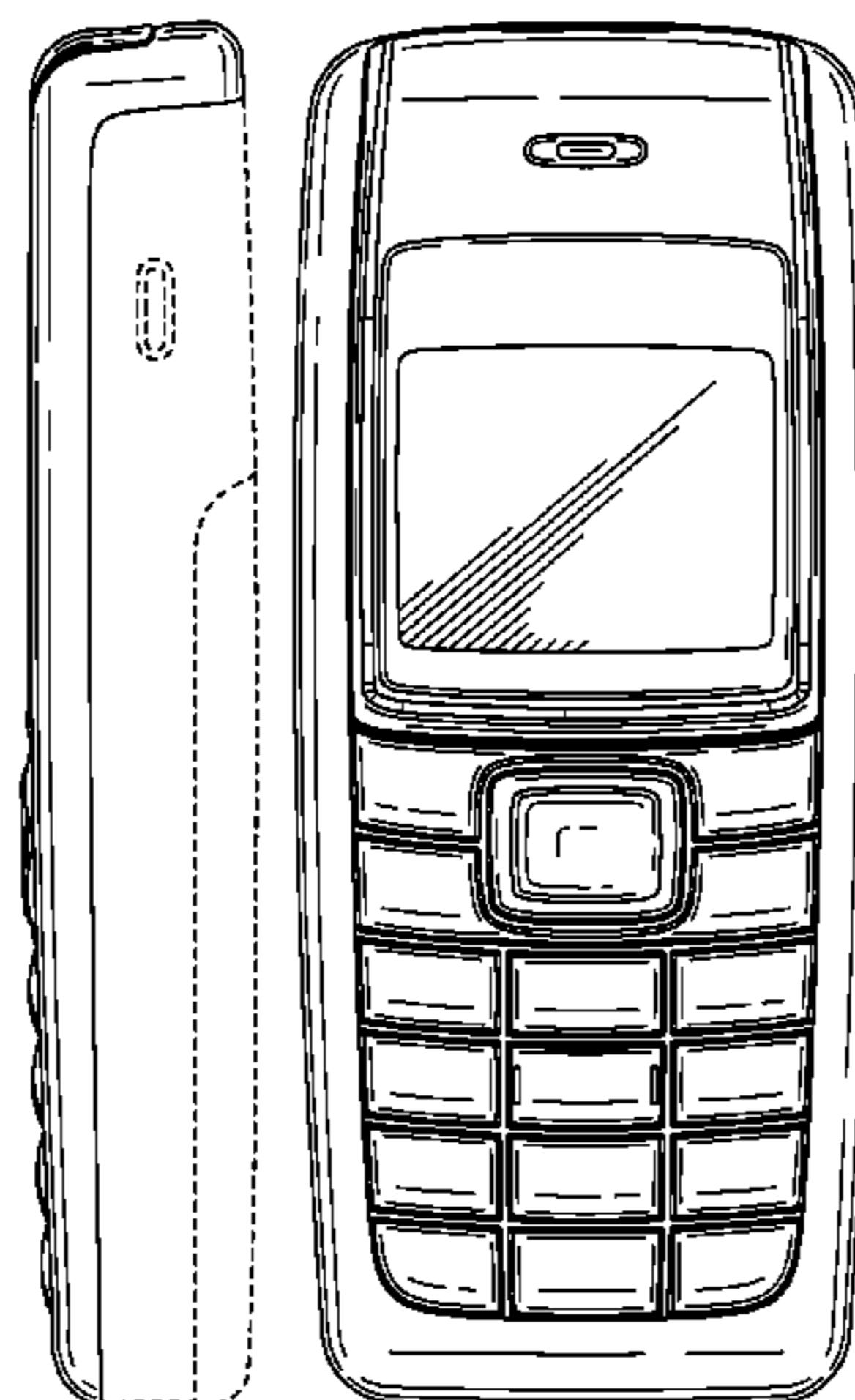
FIG. 11 is a left side view thereof;

FIG. 12 is a top plan view thereof; and,

FIG. 13 is a perspective front view thereof.

The broken line showing of environmental structures in FIGS. 1-8 is for illustrative purposes only and forms no part of the claimed design.

1 Claim, 5 Drawing Sheets



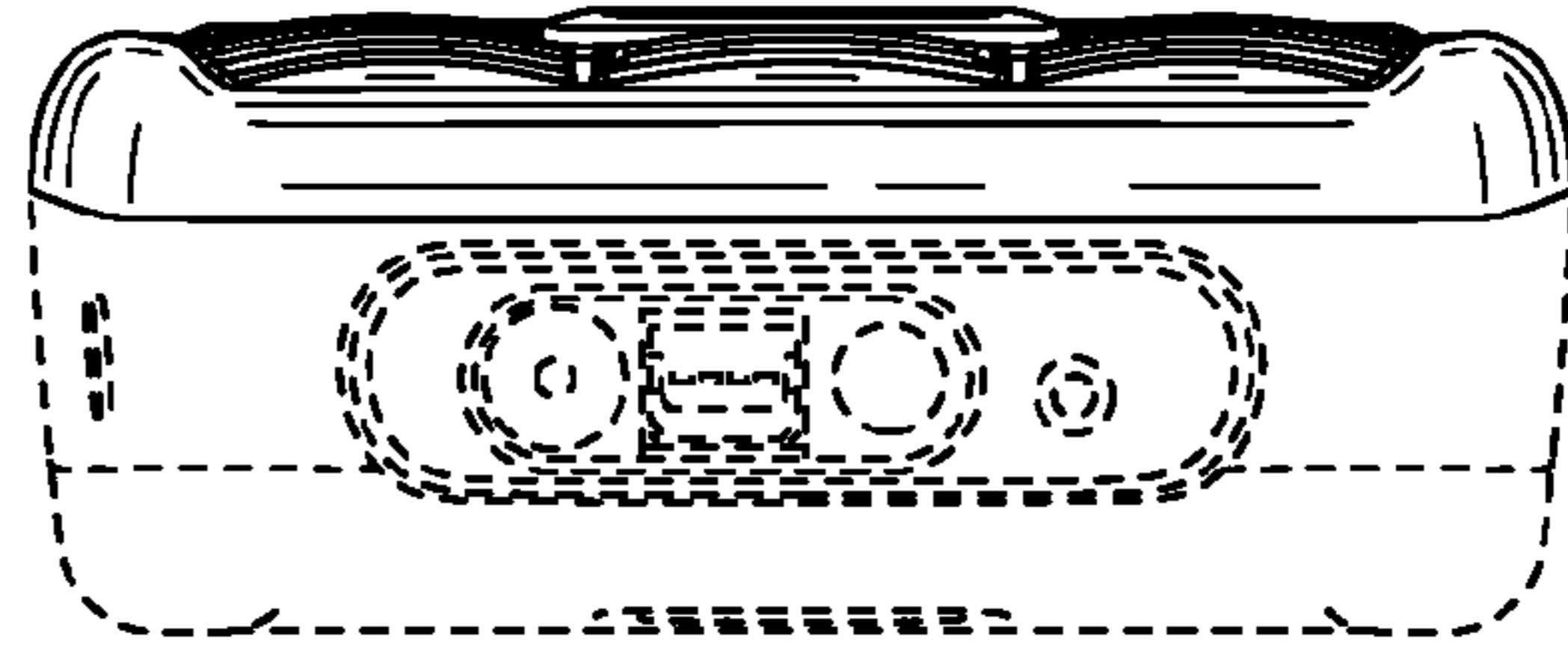


FIG. 1

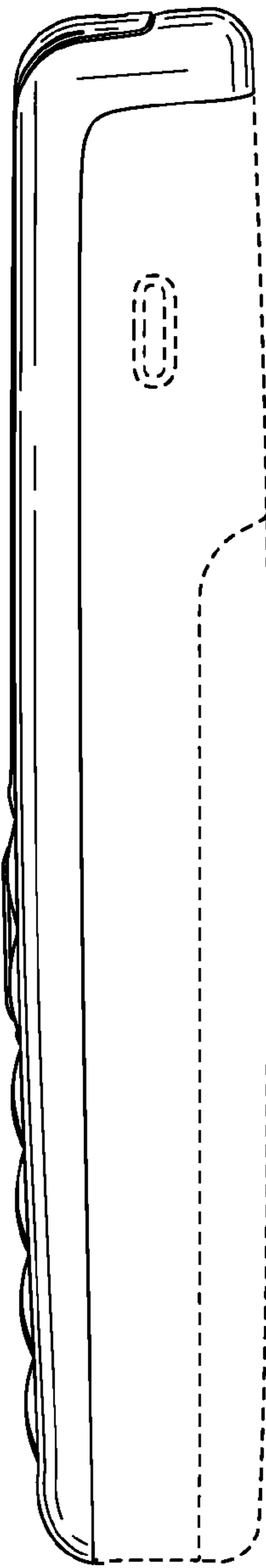


FIG. 2

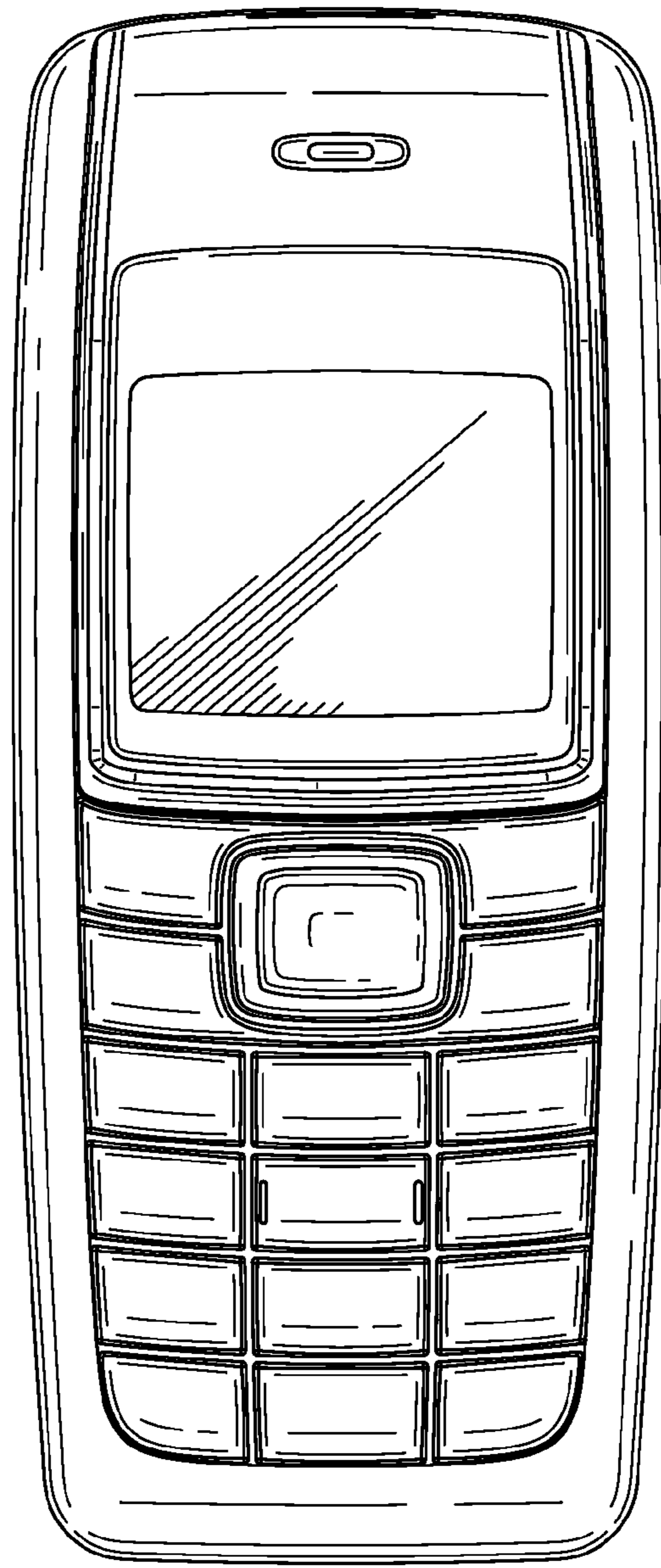


FIG. 3

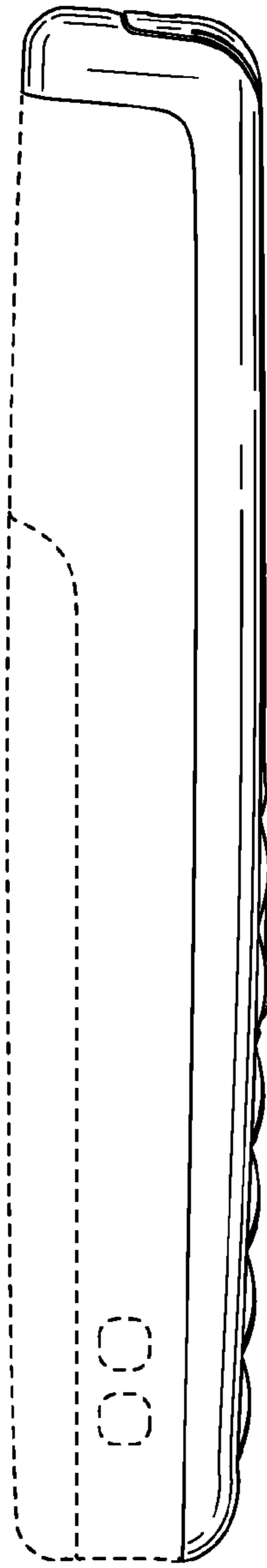


FIG. 4

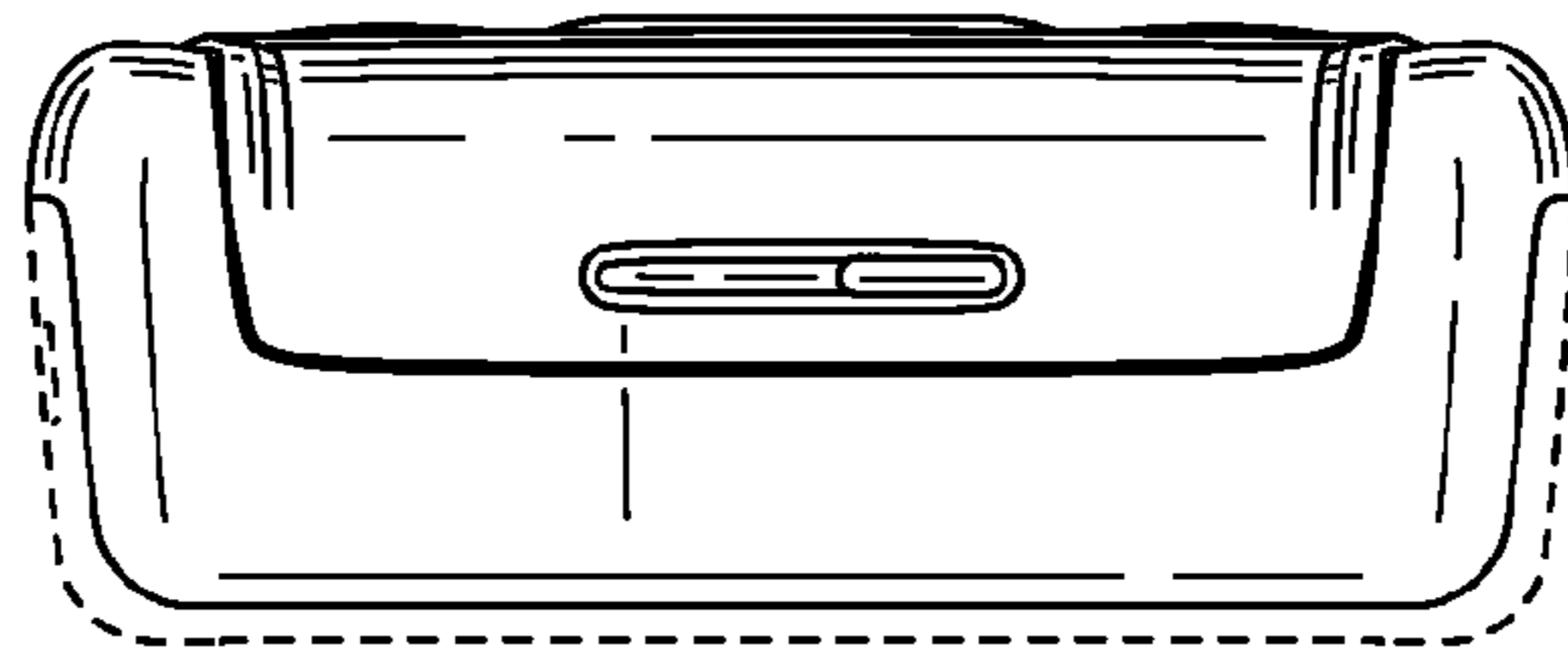


FIG. 5

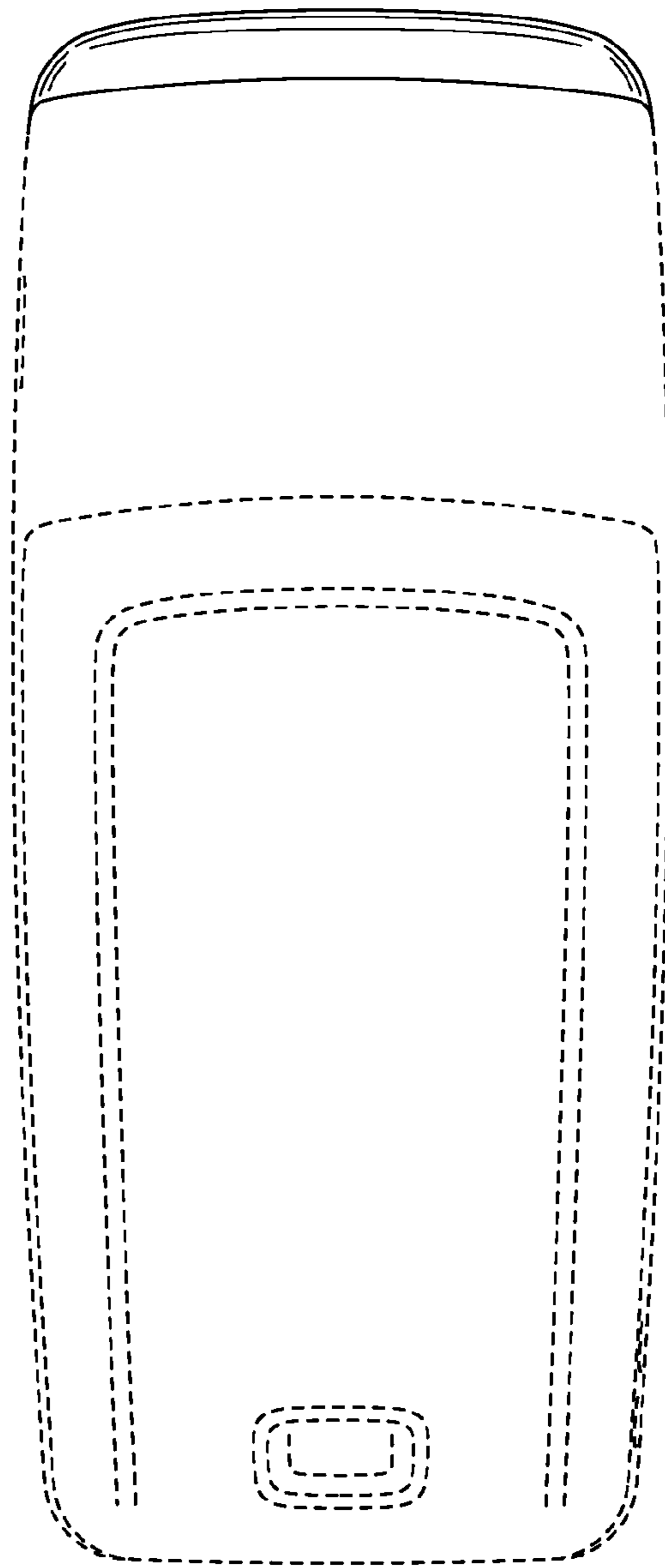


FIG. 6

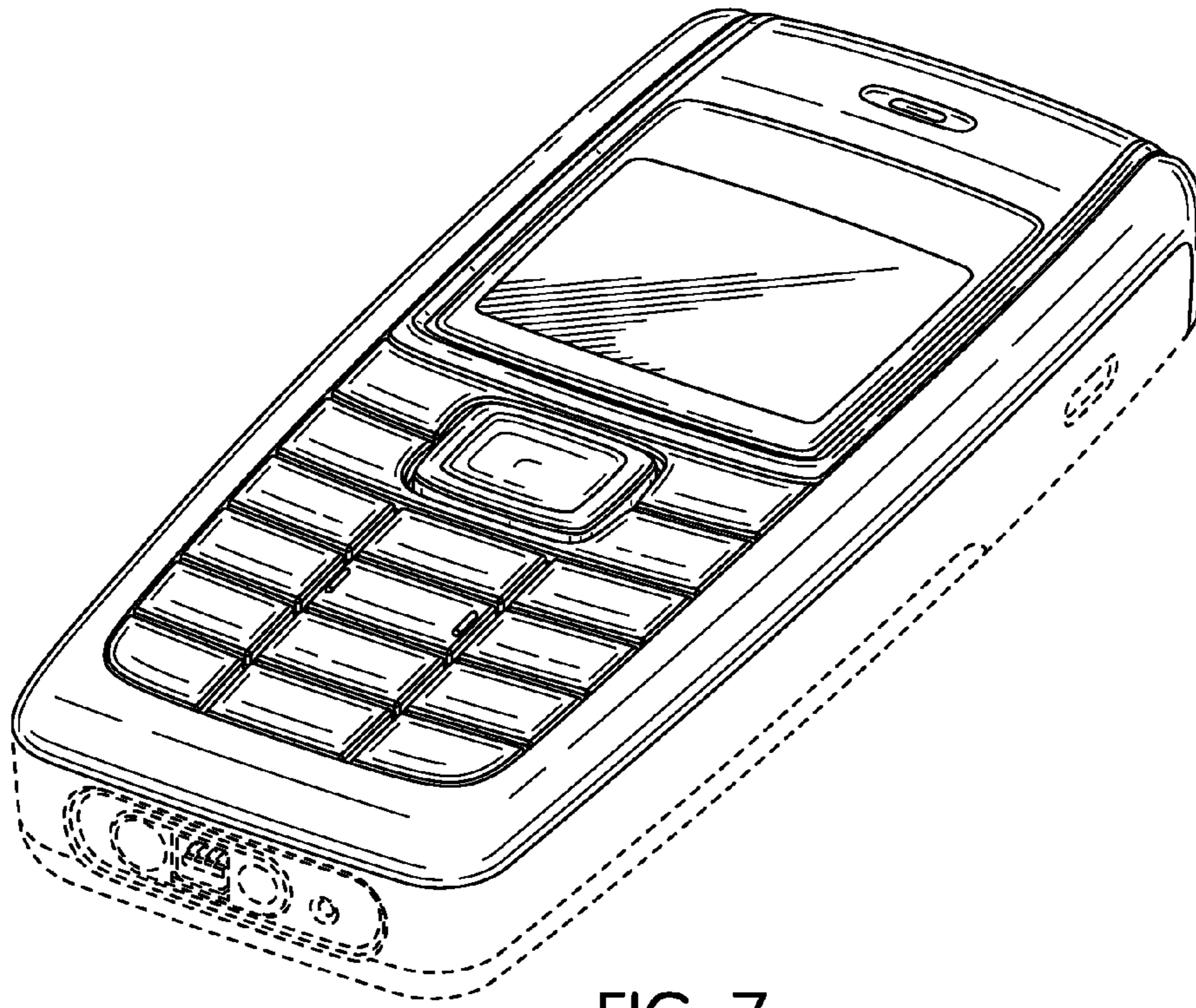


FIG. 7

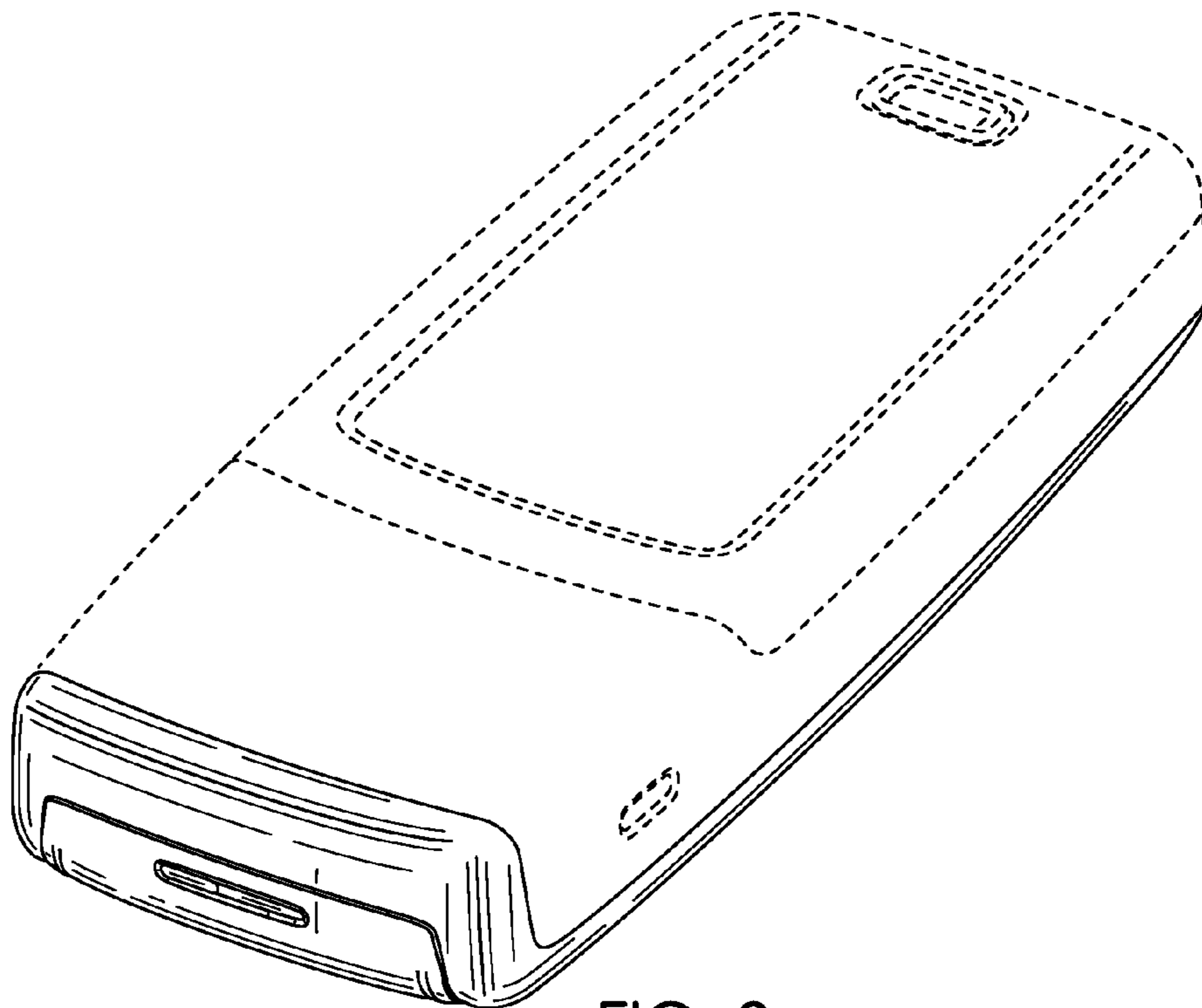


FIG. 8



FIG. 9

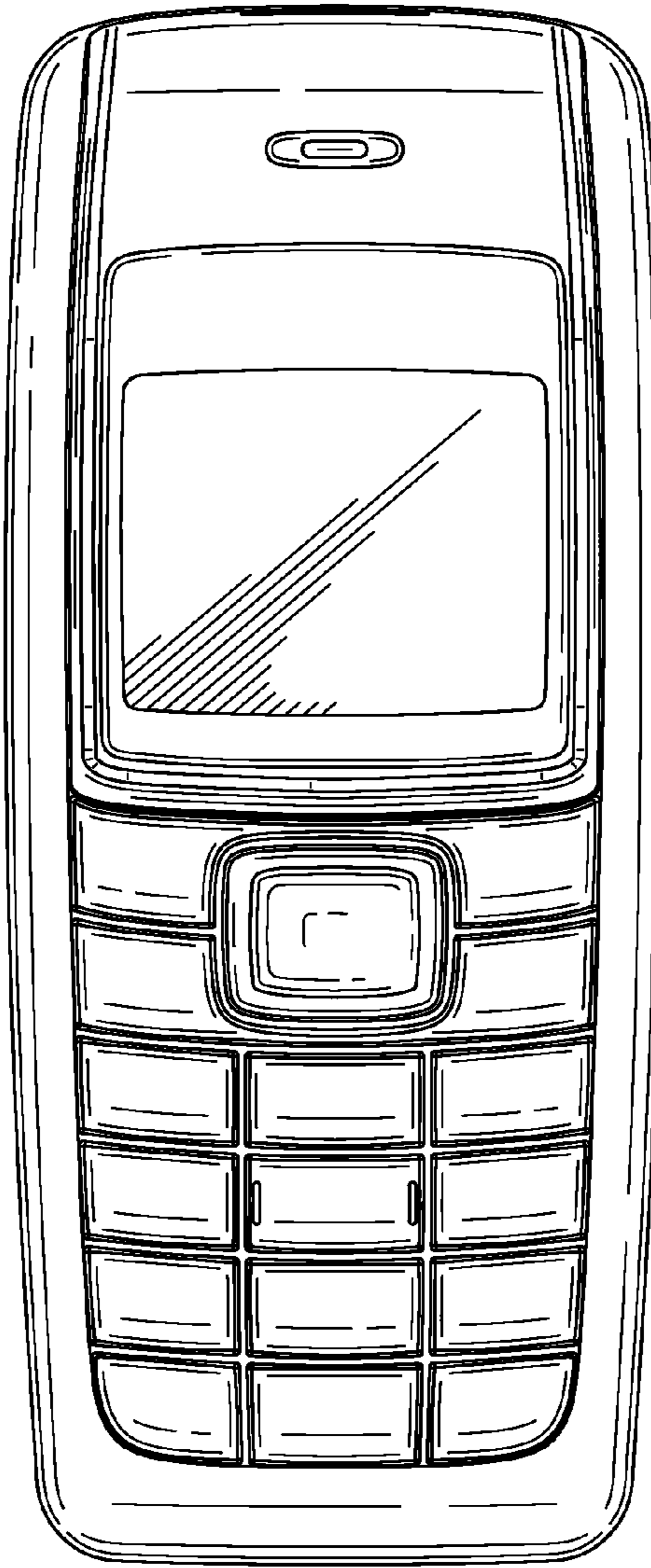


FIG. 10



FIG. 11

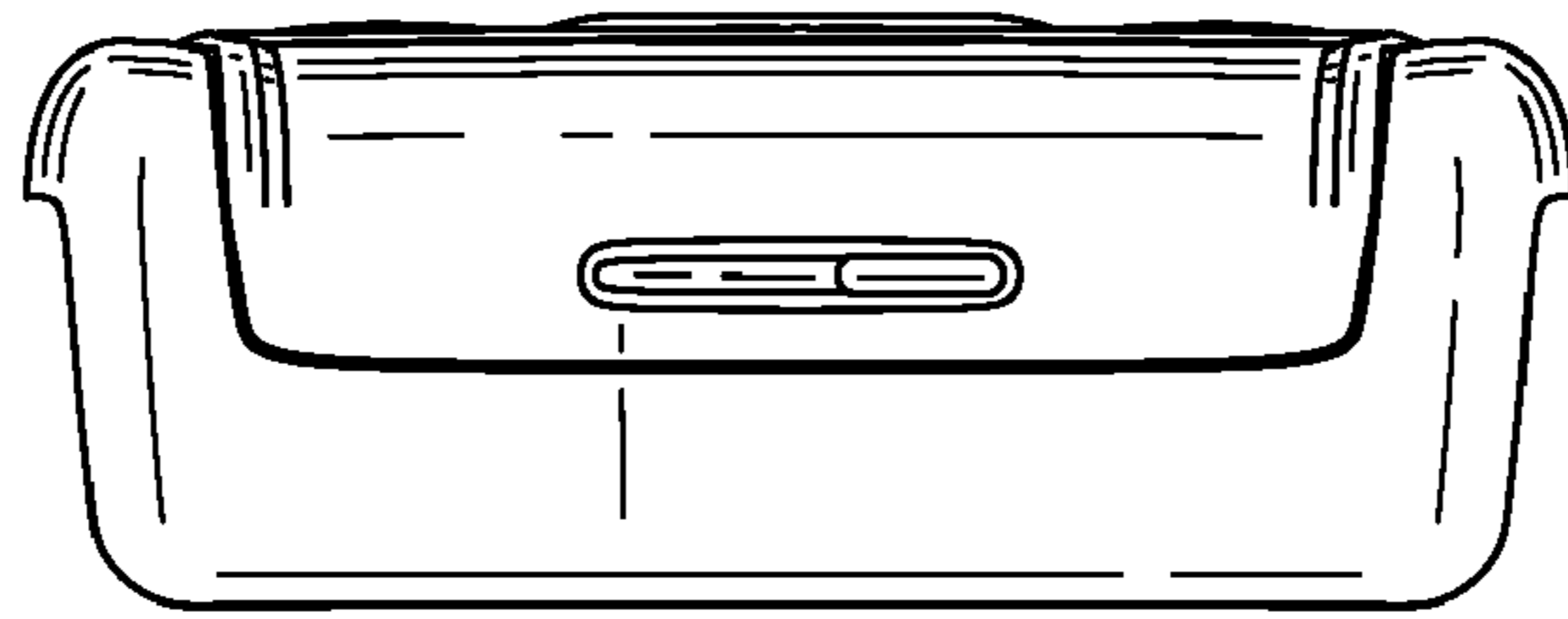


FIG. 12

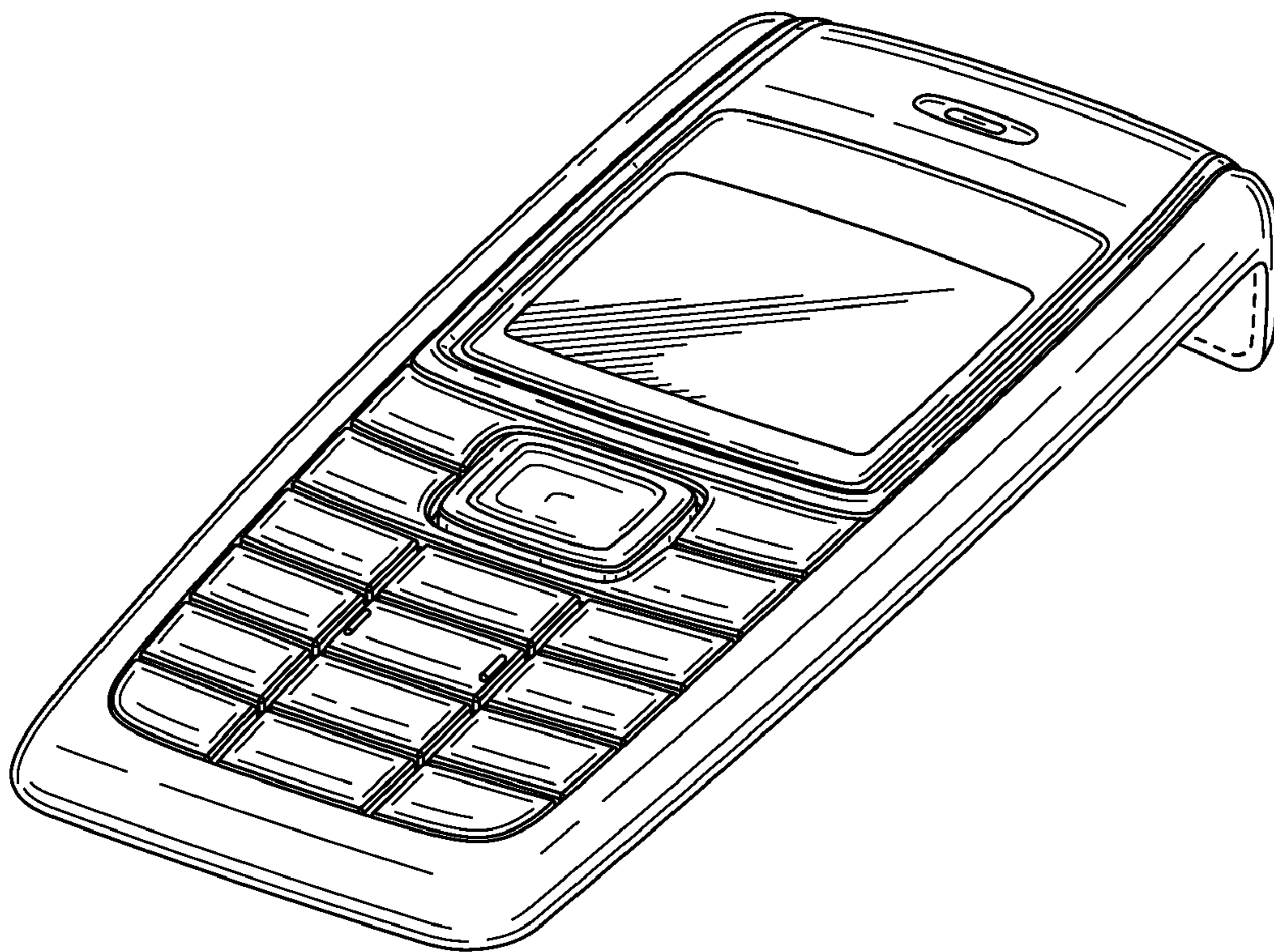


FIG. 13