

US00D562814S

(12) **United States Design Patent**
Liu et al.

(10) **Patent No.:** **US D562,814 S**
(45) **Date of Patent:** **** Feb. 26, 2008**

(54) **WIRELESS HOME ROUTER**

(75) Inventors: **Calvin Y. Liu**, Irvine, CA (US);
Hung-Bing Chen, Tustin, CA (US)

(73) Assignee: **Cisco Technology, Inc.**, San Jose, CA
(US)

(**) Term: **14 Years**

(21) Appl. No.: **29/250,437**

(22) Filed: **Nov. 14, 2006**

(51) **LOC (8) Cl.** **14-03**

(52) **U.S. Cl.** **D14/240**

(58) **Field of Classification Search** D14/240,
D14/242, 300, 348, 356, 233, 433; D13/184,
D13/199, 110, 137.2; 360/69; 379/220.01,
379/221.09, 220.14, 25, 93.09, 93.15, 156,
379/900, 338, 339; 381/124; 607/36
See application file for complete search history.

(56) **References Cited**

U.S. PATENT DOCUMENTS

D290,121 S *	6/1987	Claxton	D14/233
D308,864 S *	6/1990	Takai	D14/242
D381,647 S *	7/1997	Terng	D14/358
D399,211 S *	10/1998	Cockson	D14/233
D464,959 S *	10/2002	Do et al.	D14/242
D478,577 S *	8/2003	Kolls et al.	D14/240
D484,496 S *	12/2003	Watanabe	D14/240

D486,480 S *	2/2004	Tanaka	D14/242
D488,150 S *	4/2004	Chen et al.	D14/242
D489,059 S *	4/2004	Dendou et al.	D14/242
D489,720 S *	5/2004	Sasaki	D14/358
D493,165 S *	7/2004	Kiple et al.	D14/242
D494,156 S *	8/2004	Chen et al.	D14/240
D523,014 S *	6/2006	Liu et al.	D14/433
D529,903 S *	10/2006	McRae et al.	D14/240
D530,316 S *	10/2006	Hsu et al.	D14/240
D536,333 S *	2/2007	McRae et al.	D14/240
D536,696 S *	2/2007	McRae et al.	D14/240
D541,793 S *	5/2007	Katsumata	D14/240

* cited by examiner

Primary Examiner—Charles A. Rademaker

(74) *Attorney, Agent, or Firm*—MacPherson Kwok Chen &
Heid LLP; Tom Chen

(57) **CLAIM**

The ornamental design for a wireless home router, as shown
and described.

DESCRIPTION

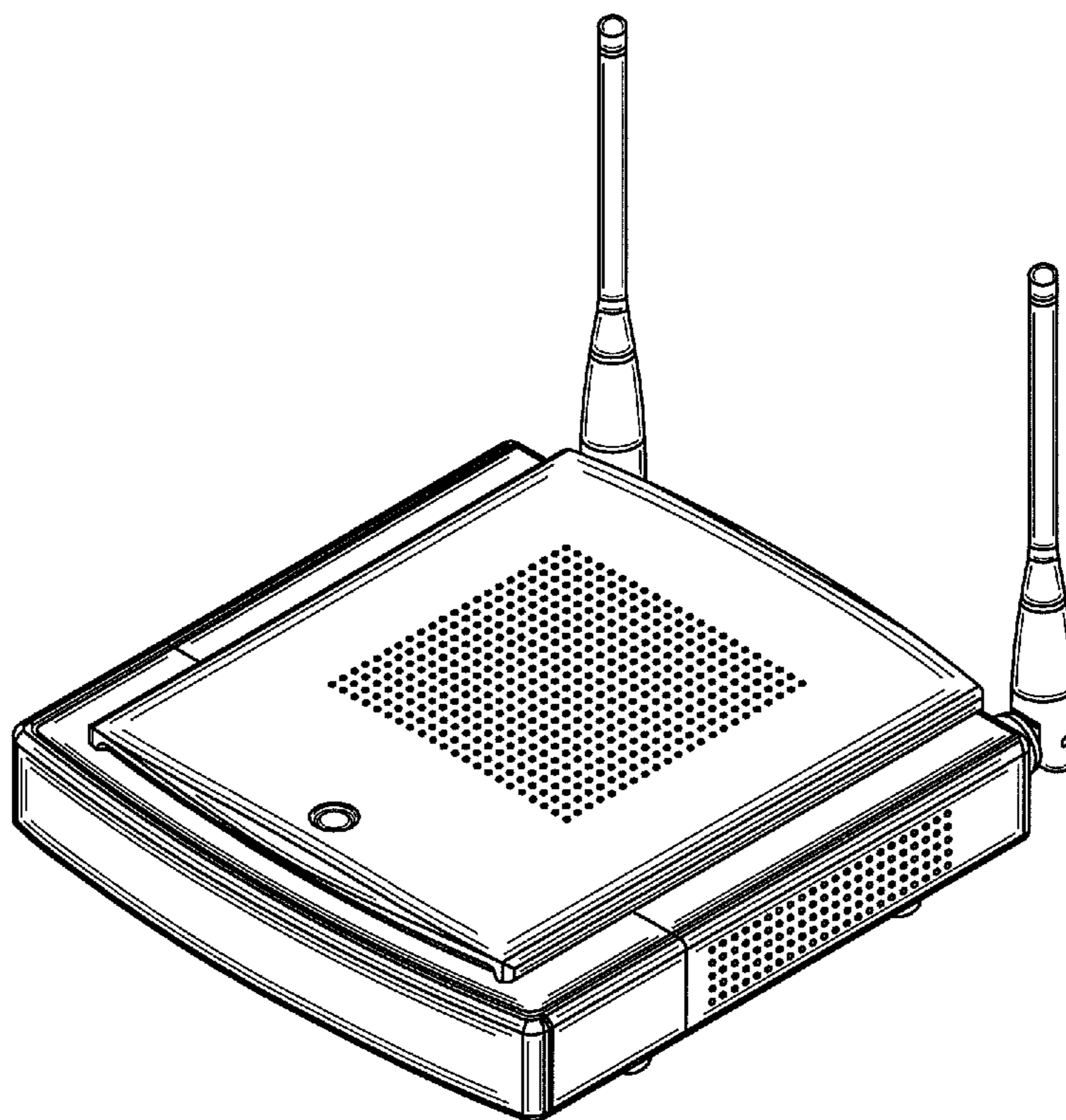
FIG. 1 is a top perspective view of a wireless home router
showing our new design;

FIG. 2 is a side elevation thereof;

FIG. 3 is a rear elevation thereof; and,

FIG. 4 is a bottom perspective view thereof.

1 Claim, 3 Drawing Sheets



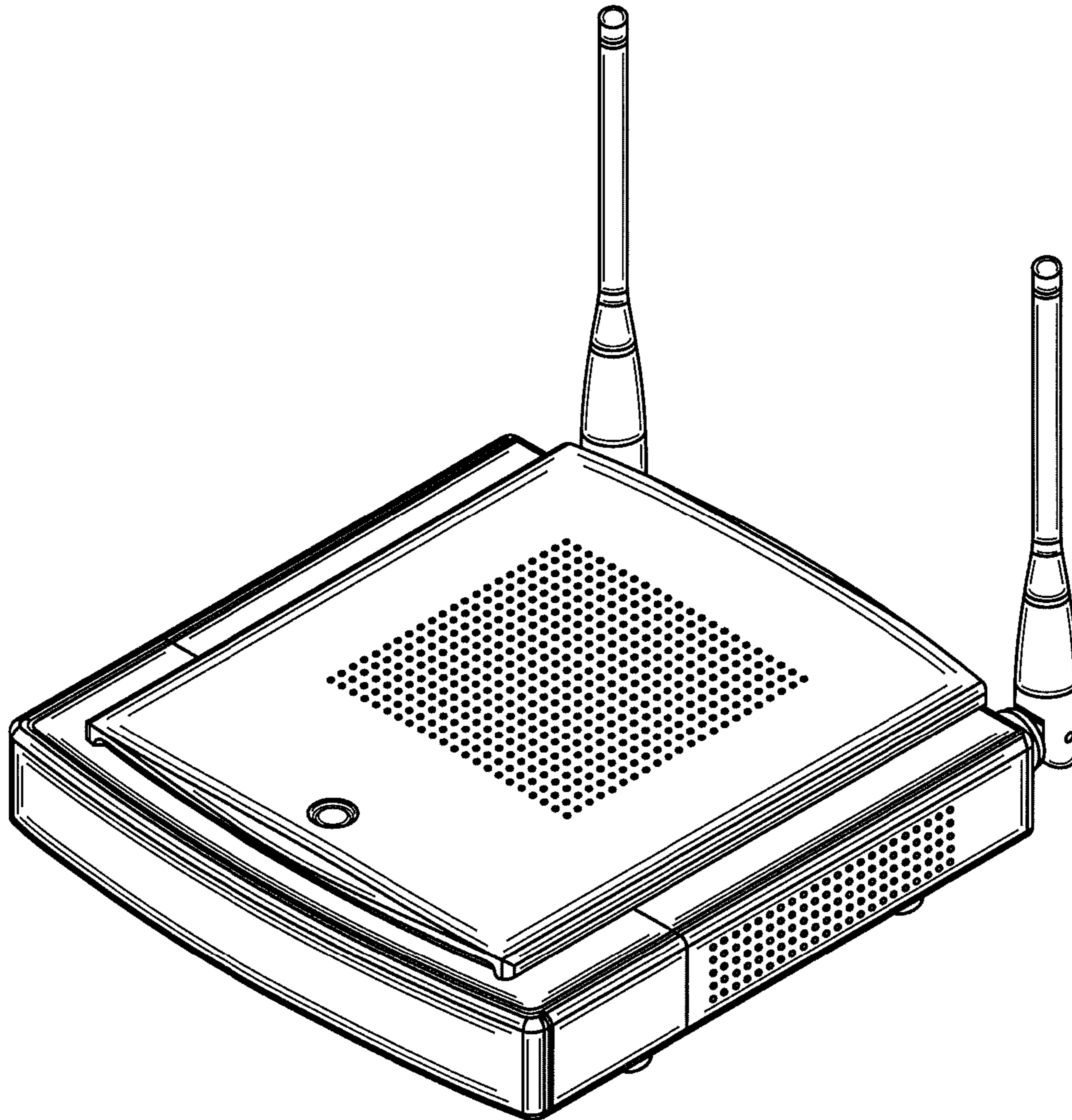


FIG. 1

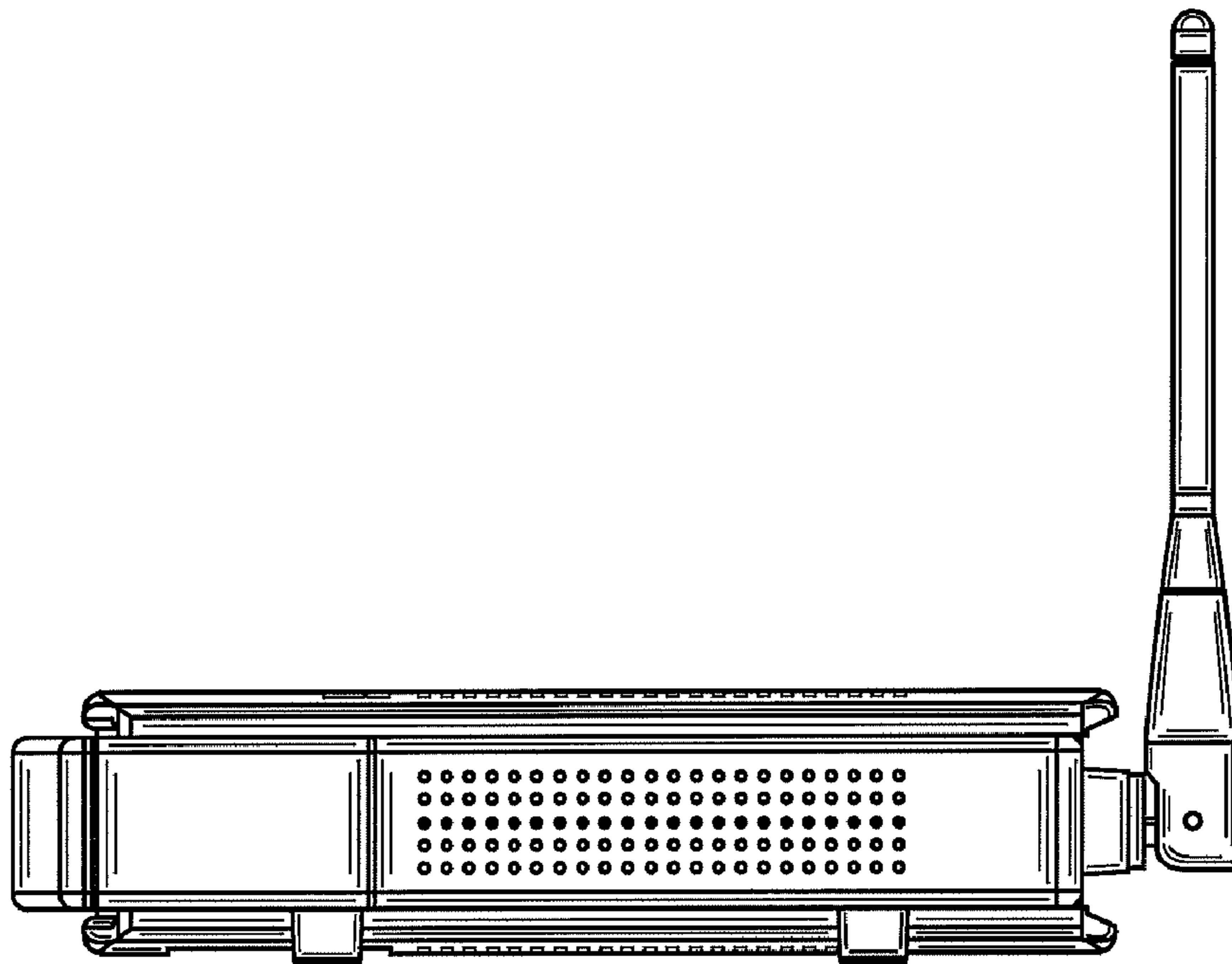


FIG. 2

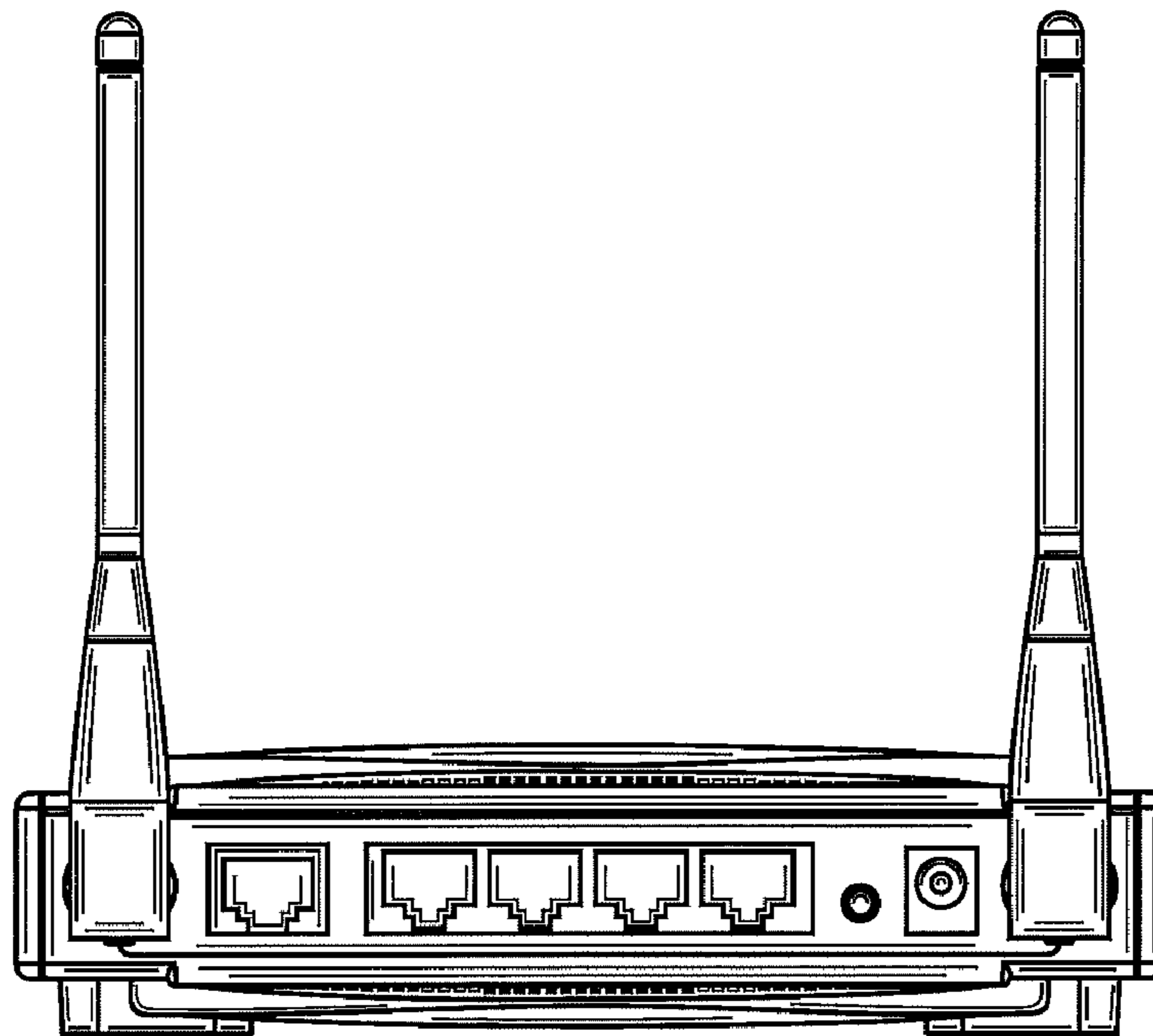


FIG. 3

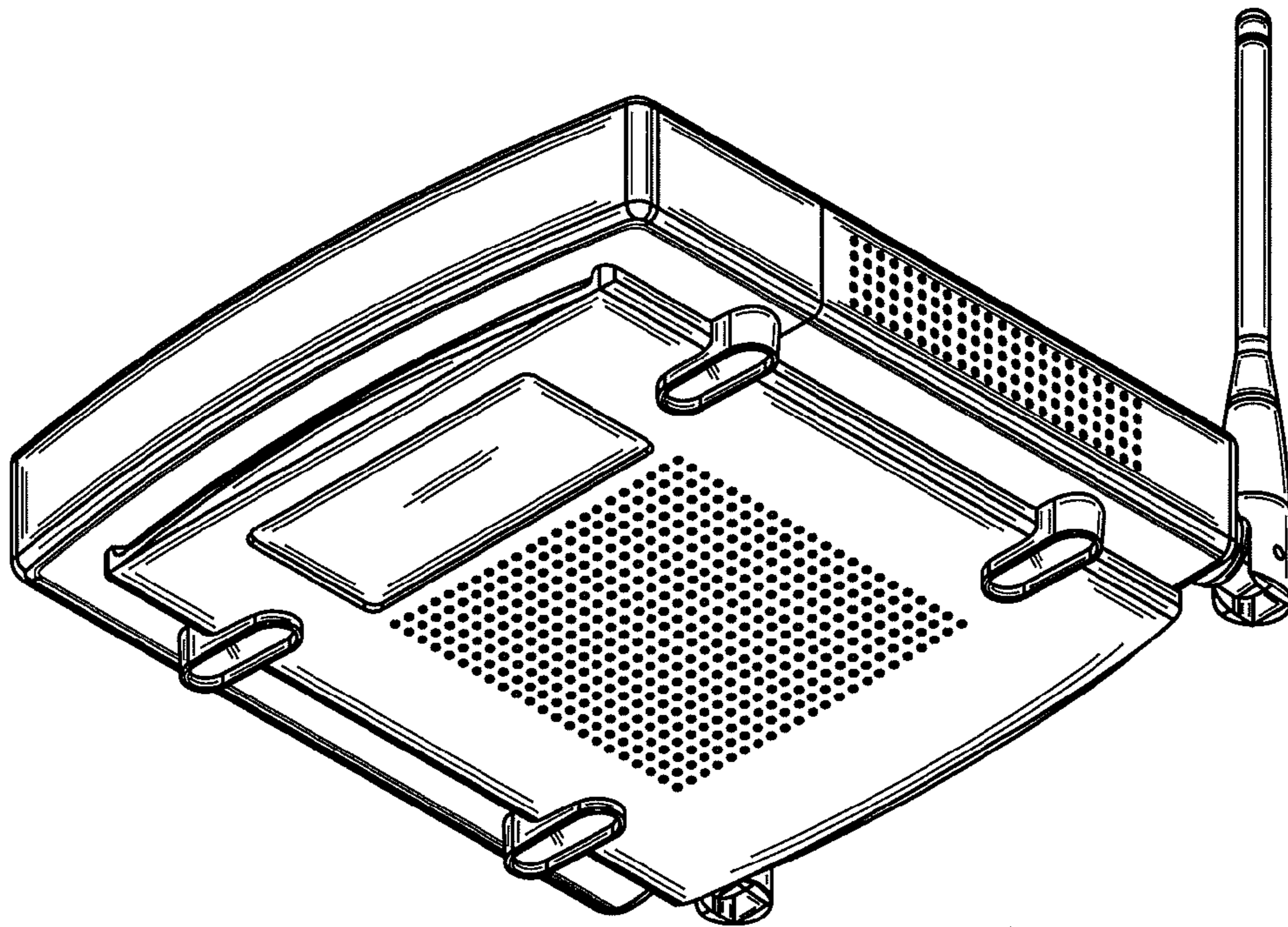


FIG. 4