



US00D562813S

(12) **United States Design Patent**
Storti et al.

(10) **Patent No.:** **US D562,813 S**
(45) **Date of Patent:** **** Feb. 26, 2008**

(54) **ENCLOSURE FOR A WIRELESS DEVICE**

(75) Inventors: **William J. Storti**, Haverford, PA (US);
Kevin T. Chang, Doylestown, PA (US);
Barry P. Falvo, Norristown, PA (US);
Paul Ocepek, Norfolk, MA (US)

(73) Assignee: **General Instrument Corporation**,
Horsham, PA (US)

(**) Term: **14 Years**

(21) Appl. No.: **29/245,060**

(22) Filed: **Dec. 16, 2005**

(51) **LOC (8) Cl.** **14-03**

(52) **U.S. Cl.** **D14/240**

(58) **Field of Classification Search** D14/215–218,
D14/240, 242–256, 299; 455/151.1–151.4,
455/152.1, 352–355, 550.1, 90.3; D13/168,
D13/184; 379/433.02, 433.13

See application file for complete search history.

(56) **References Cited**

U.S. PATENT DOCUMENTS

| | | | |
|---------------|---------|-----------------------|-----------|
| D363,722 S * | 10/1995 | Aldridge et al. | D14/242 |
| D368,097 S * | 3/1996 | Heberling et al. | D14/242 |
| D380,199 S * | 6/1997 | Beruscha et al. | D13/184 |
| D393,463 S * | 4/1998 | Beaumont et al. | 455/550.1 |
| 5,761,612 A * | 6/1998 | Read | 455/90.3 |
| D418,843 S * | 1/2000 | Schechtel et al. | D14/242 |
| D465,215 S * | 11/2002 | Hill et al. | D14/240 |
| D470,839 S * | 2/2003 | Tuhkanen | D14/240 |
| D480,716 S * | 10/2003 | Saikawa et al. | D14/242 |

| | | | |
|--------------|---------|--------------------|---------|
| D486,820 S * | 2/2004 | Burns et al. | D14/242 |
| D491,564 S * | 6/2004 | Chaney et al. | D14/435 |
| D509,824 S * | 9/2005 | Storti et al. | D14/240 |
| D514,096 S * | 1/2006 | Storti et al. | D14/240 |
| D520,500 S * | 5/2006 | Storti et al. | D14/240 |
| D530,315 S * | 10/2006 | Liu | D14/240 |
| D538,795 S * | 3/2007 | Wong et al. | D14/240 |
| D542,784 S * | 5/2007 | Franck et al. | D14/240 |

* cited by examiner

Primary Examiner—Charles A. Rademaker
(74) *Attorney, Agent, or Firm*—Larry T. Cullen

(57) **CLAIM**

The ornamental design for an enclosure for a wireless device, as shown and described.

DESCRIPTION

FIG. 1 is a front perspective view of an enclosure for a wireless device showing our new design;

FIG. 2 is a top plan view thereof;

FIG. 3 is a bottom plan thereof;

FIG. 4 is a front elevation thereof;

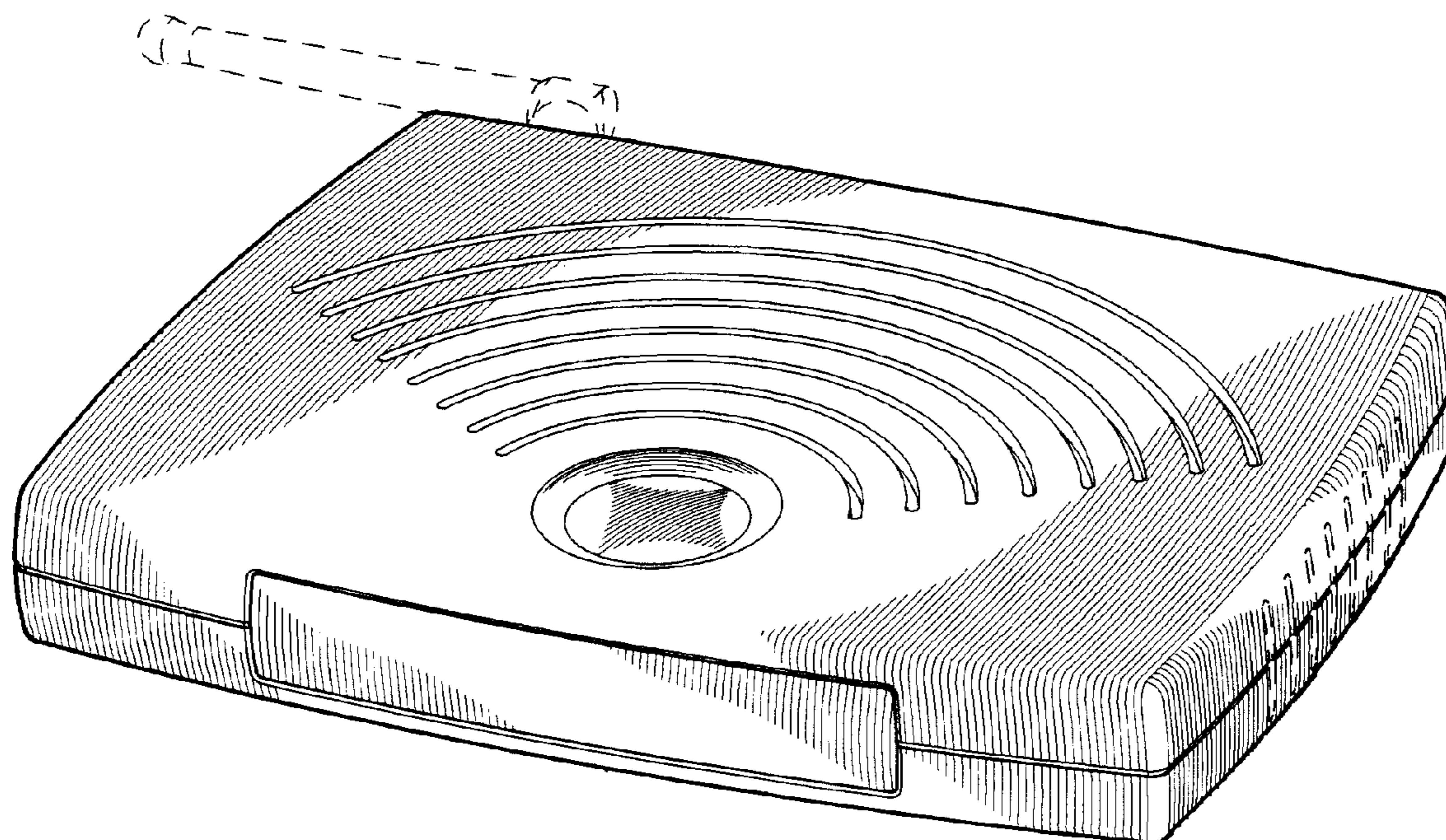
FIG. 5 is a rear elevation thereof;

FIG. 6 is a right side elevation thereof; and,

FIG. 7 is a left side elevation thereof.

The broken lines shown in FIGS. 1–7 represent environmental subject matter and form no part of the claimed design.

1 Claim, 3 Drawing Sheets



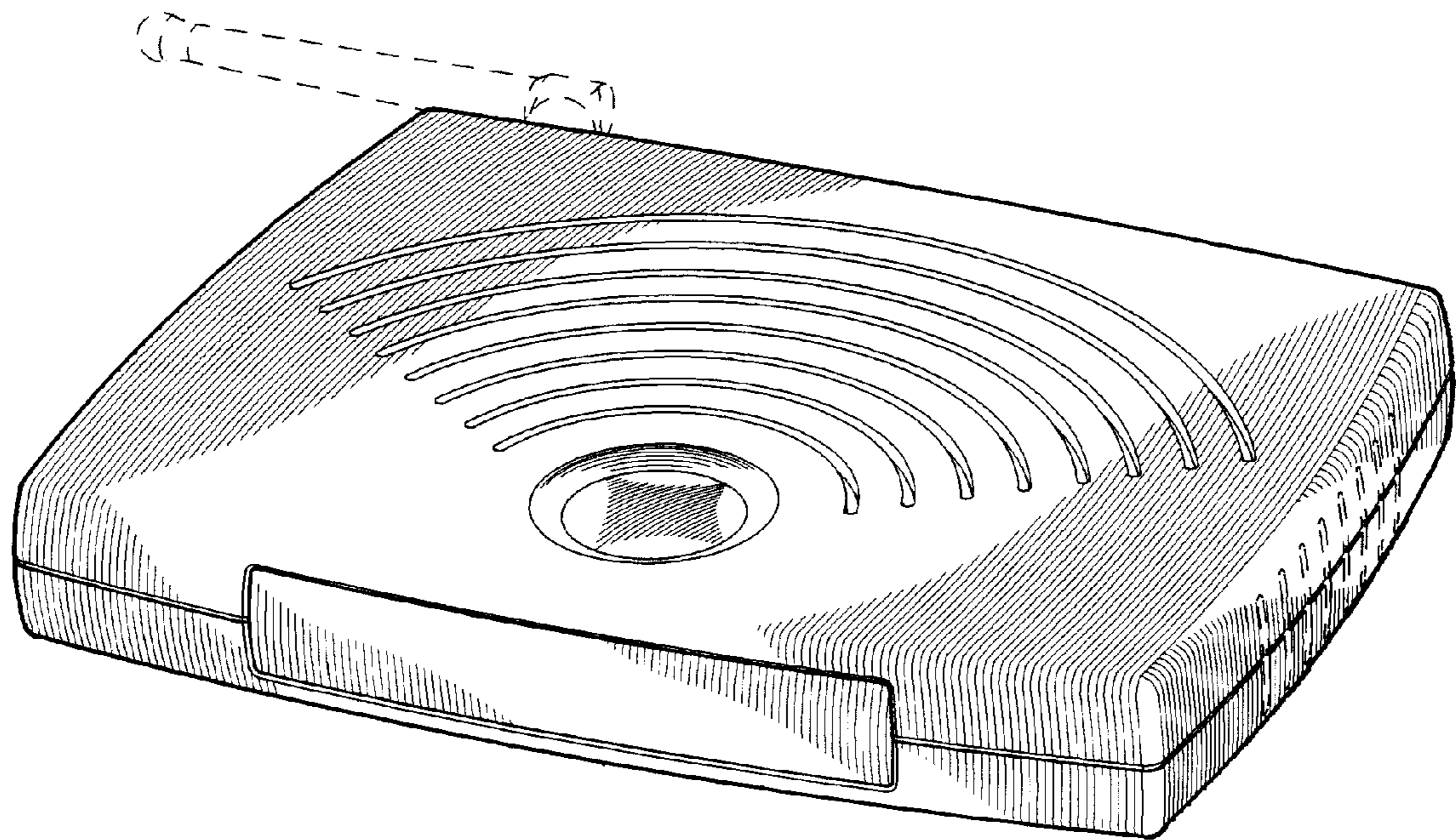


FIG. 1

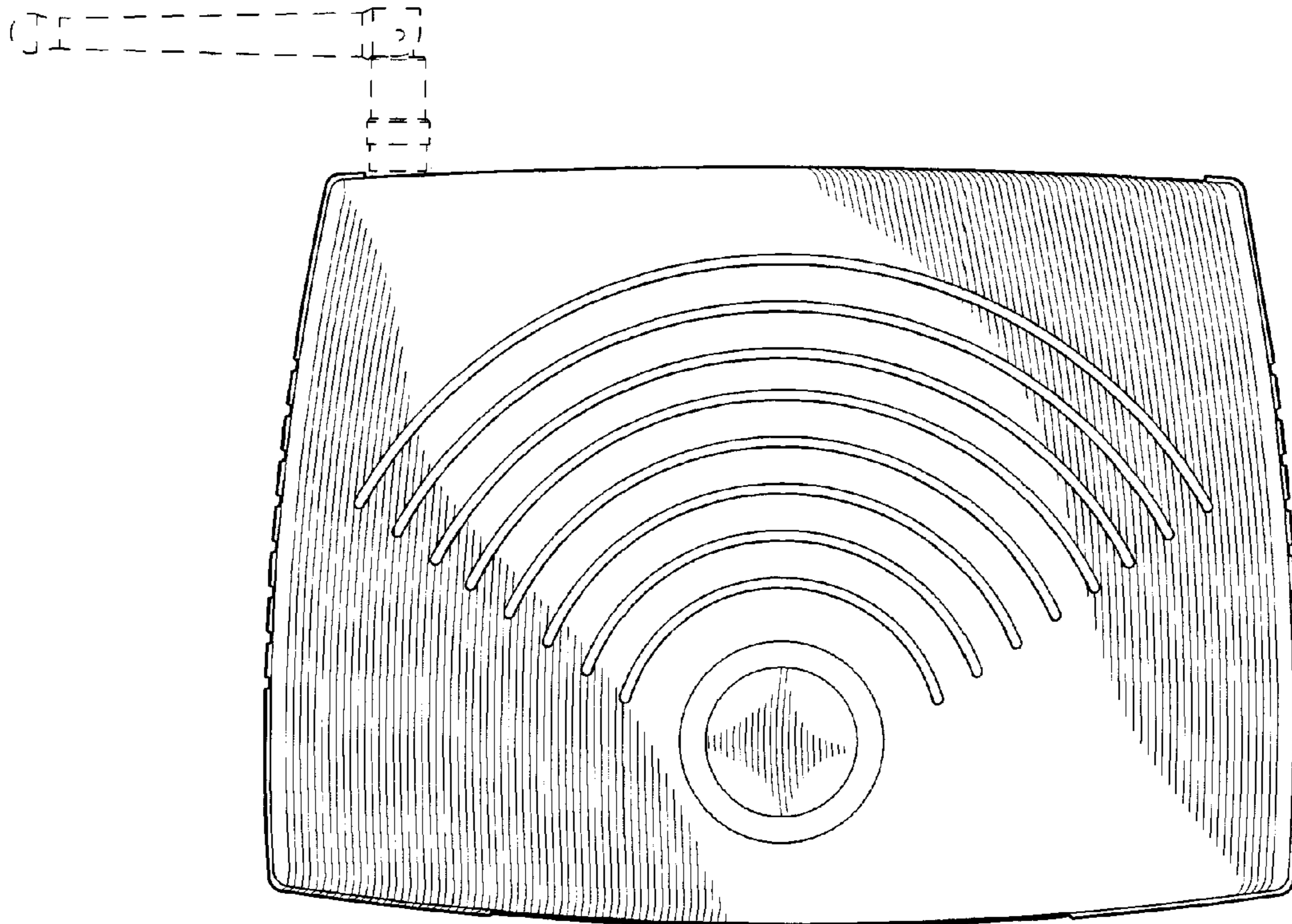


FIG. 2

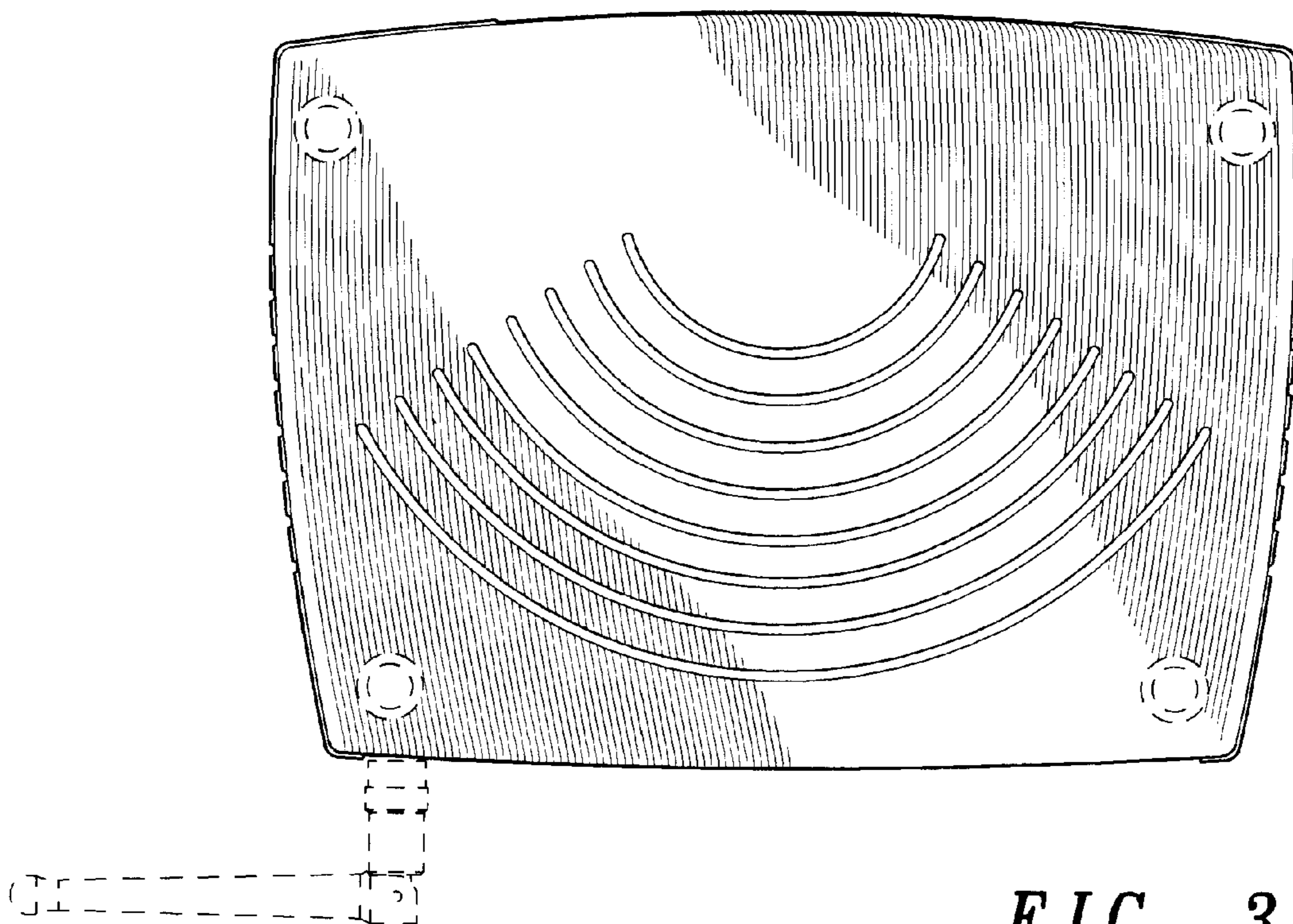


FIG. 3

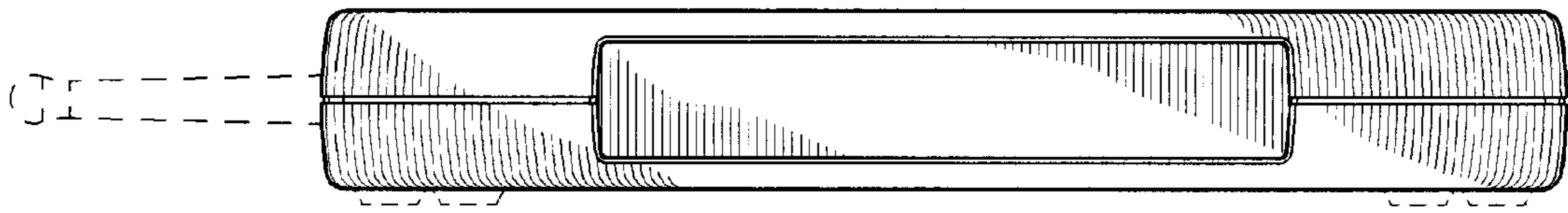


FIG. 4



FIG. 5

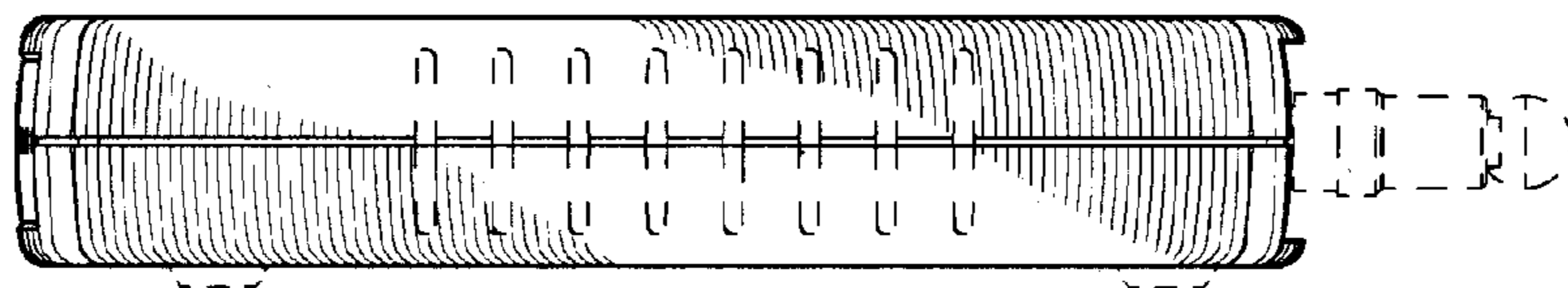


FIG. 6

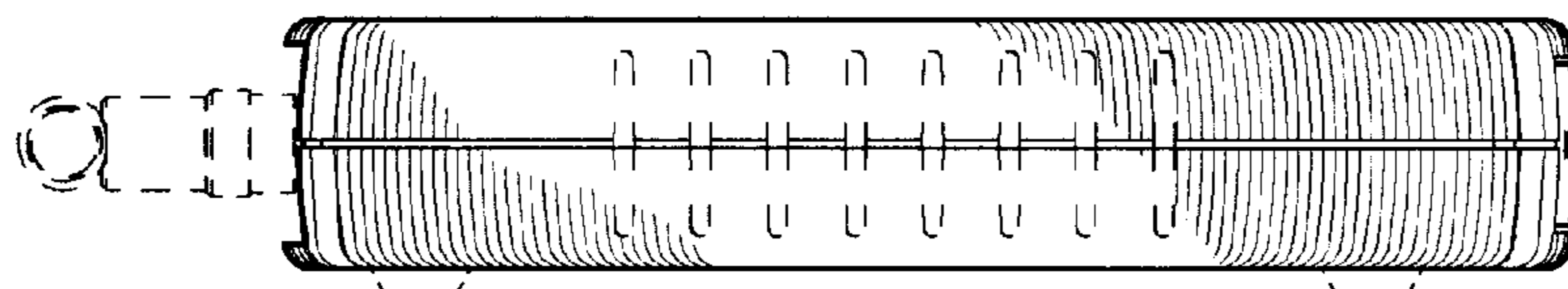


FIG. 7