



US00D562812S

(12) **United States Design Patent**
Sculler et al.

(10) **Patent No.:** **US D562,812 S**
(45) **Date of Patent:** **** Feb. 26, 2008**

(54) **END CAPS FOR FLAT PANEL DISPLAY MOUNT ASSEMBLY**

2004/0195472 A1* 10/2004 Clover 248/127
2005/0092890 A1* 5/2005 Liao 248/466
2005/0253035 A1* 11/2005 Dozier 248/286.1

(75) Inventors: **Steven J. Sculler**, Morganville, NJ (US); **Michael P. Zambelli**, Basking Ridge, NJ (US); **In-Young Jang**, Ridgefield, NJ (US); **Jimmy An**, South Plainfield, NJ (US)

* cited by examiner

Primary Examiner—Raphael Barkai
Assistant Examiner—Randall H Gholson
(74) *Attorney, Agent, or Firm*—Lerner, David, Littenberg, Krumholz & Mentlik, LLP

(73) Assignee: **Bell'O International Corp.**, Morganville, NJ (US)

(57) **CLAIM**

(**) Term: **14 Years**

The ornamental design for end caps for flat panel display mount assembly, as shown and described.

(21) Appl. No.: **29/270,723**

(22) Filed: **Dec. 28, 2006**

DESCRIPTION

(51) **LOC (8) Cl.** **14-03**

FIG. 1 is a perspective view showing our design for left and right end caps for a flat panel display mount assembly thereof, the broken lines are shown for illustrative purposes and form no part of the claimed design.

(52) **U.S. Cl.** **D14/239**

FIG. 2 is a perspective front view of the left end cap for flat panel display mount assembly thereof;

(58) **Field of Classification Search** D14/239, D14/451–454, 224, 316, 375–377, 432, 439, D14/447, 448, 455, 457, 469; D8/363, 373, D8/349, 394; 248/278.1, 279.1, 514, 291.1, 248/125.1, 121, 124.1, 125.7, 276.1, 415, 248/284.1, 286.1, 281.11, 292.11, 181.2, 248/917–921, 126–128, 133, 178.1, 183.1, 248/183.2, 346.01, 346.03, 349.1, 371, 473, 248/474, 512; 348/825, 827, 836, 837; 600/443
See application file for complete search history.

FIG. 3 is a right side view thereof;

FIG. 4 is a left side view thereof;

FIG. 5 is a top plan view thereof;

FIG. 6 is a bottom plan view thereof; and

(56) **References Cited**

U.S. PATENT DOCUMENTS

4,826,123 A * 5/1989 Hannah et al. 248/248
D312,038 S * 11/1990 Sachs D8/371
5,961,085 A * 10/1999 Navarro et al. 248/279.1
D469,004 S * 1/2003 Winig et al. D8/381
D517,085 S 3/2006 Deuschle
D535,985 S * 1/2007 Sergi D14/238
D540,154 S * 4/2007 Bremmon D8/363

The left end cap is shown separately in FIGS. 2–6 for ease of illustration. The right end cap is a mirror image thereof.

FIG. 7 is a front perspective view of a modified embodiment of the right end cap for flat panel display mount assembly as shown in FIGS. 1–6, the left end cap for flat panel display mount assembly is a mirror image; and,

FIG. 8 is a left side view thereof. The right side view of the left end cap for flat panel display mount assembly is a mirror image thereof.

1 Claim, 7 Drawing Sheets

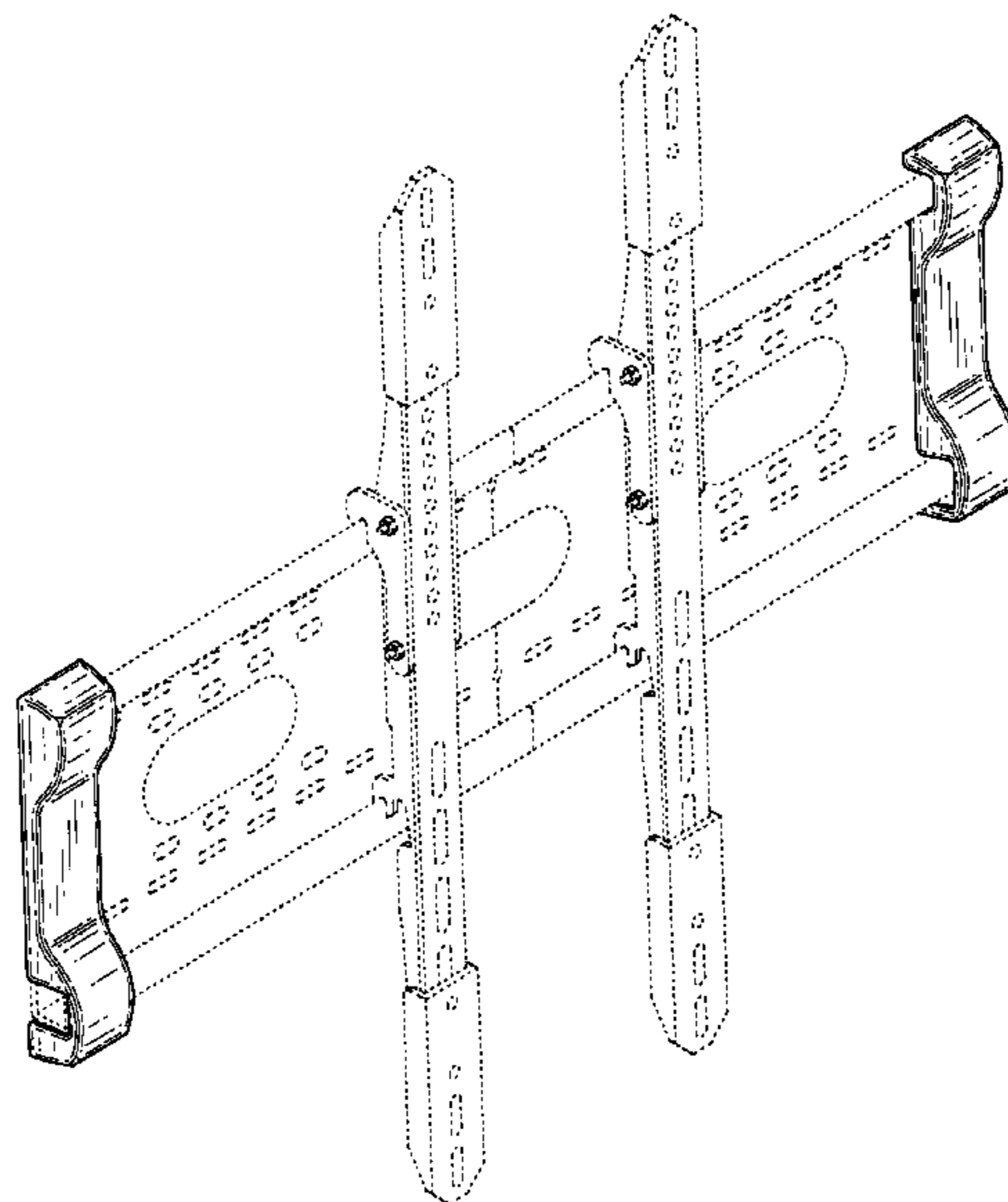


FIG. 1

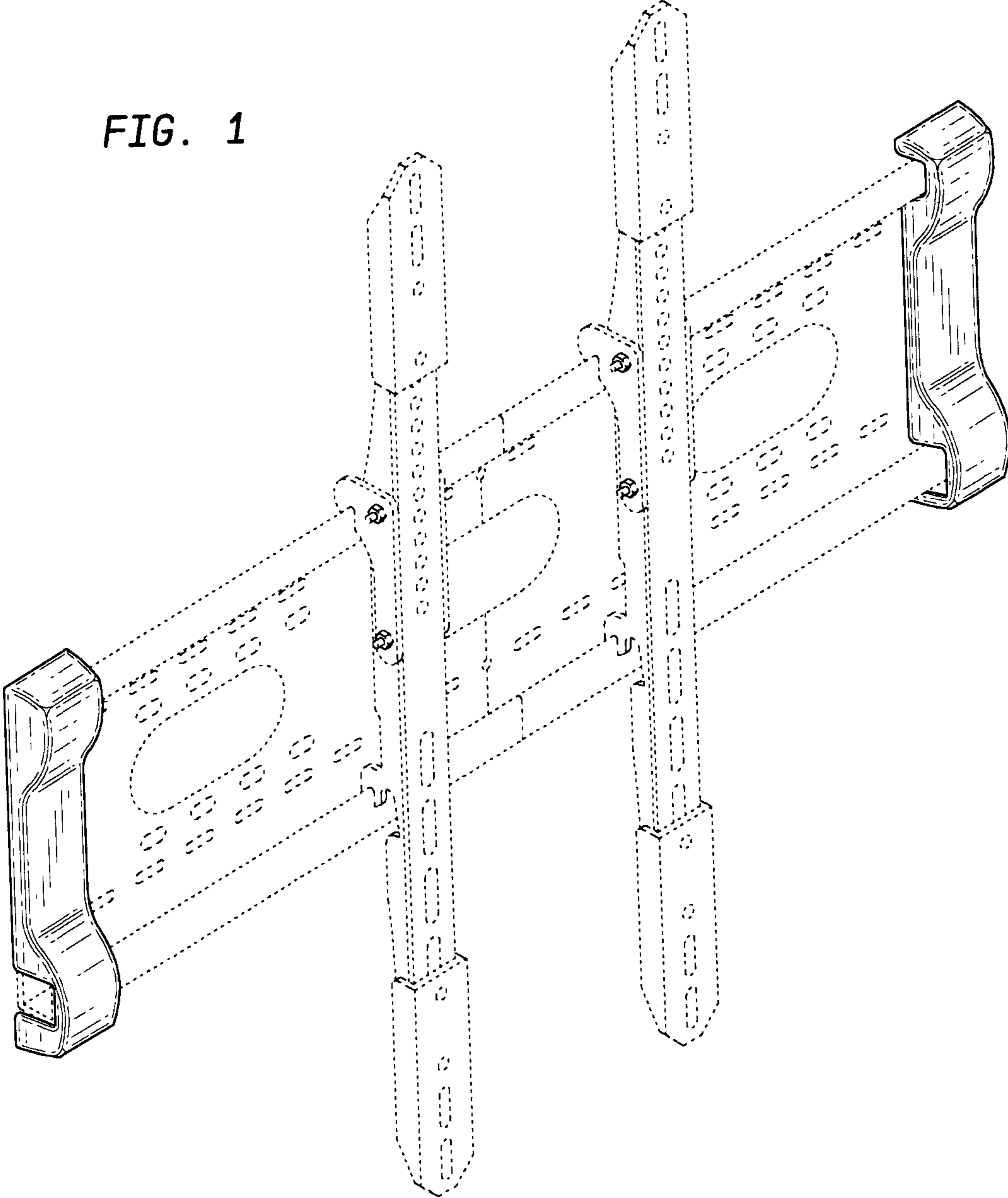


FIG. 2

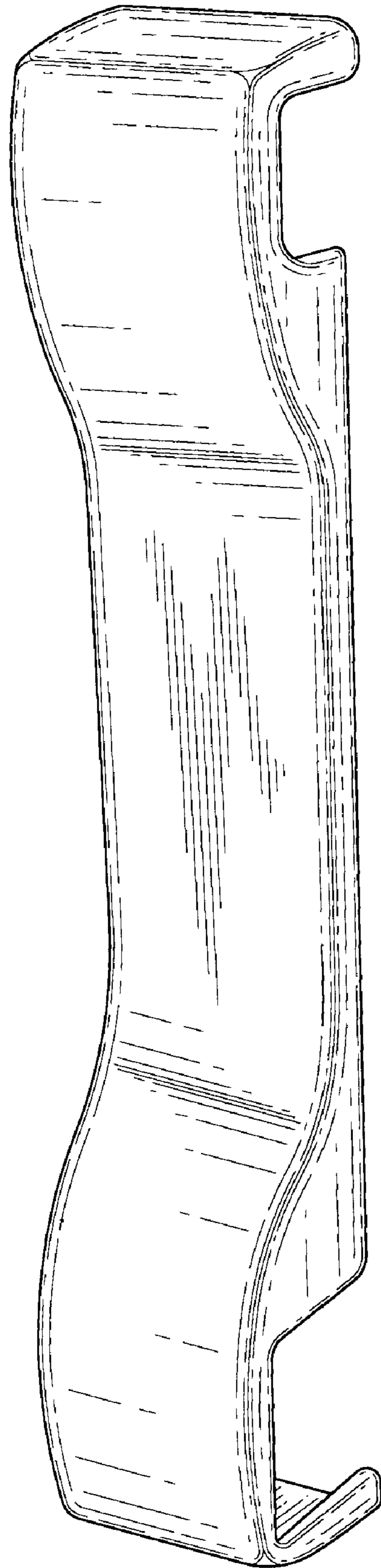


FIG. 3

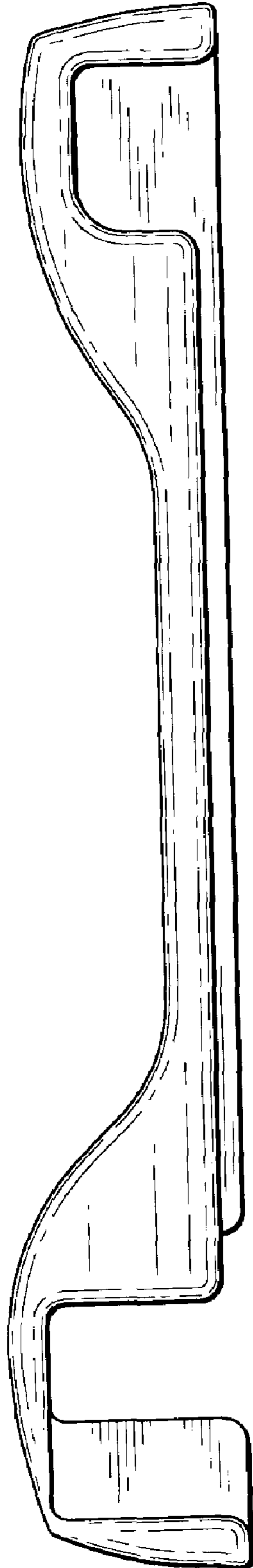


FIG. 4

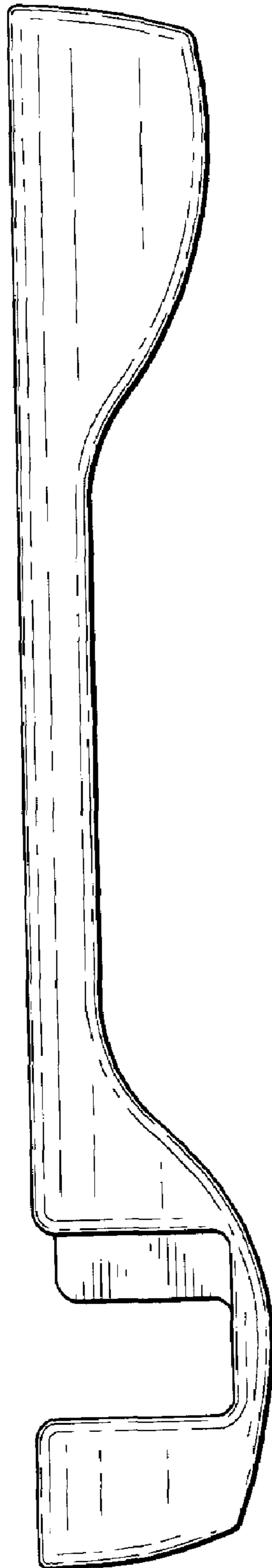


FIG. 5

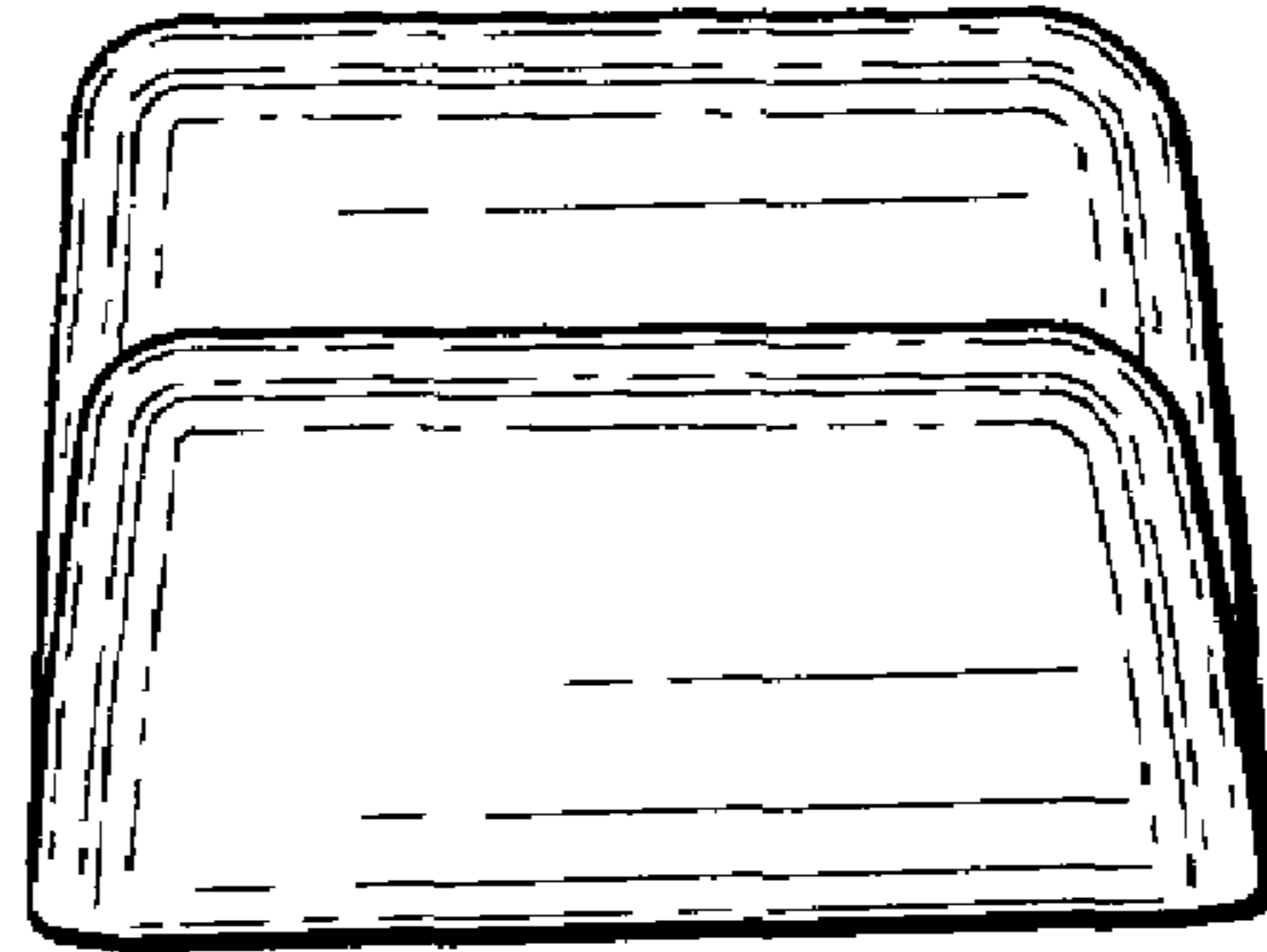


FIG. 6

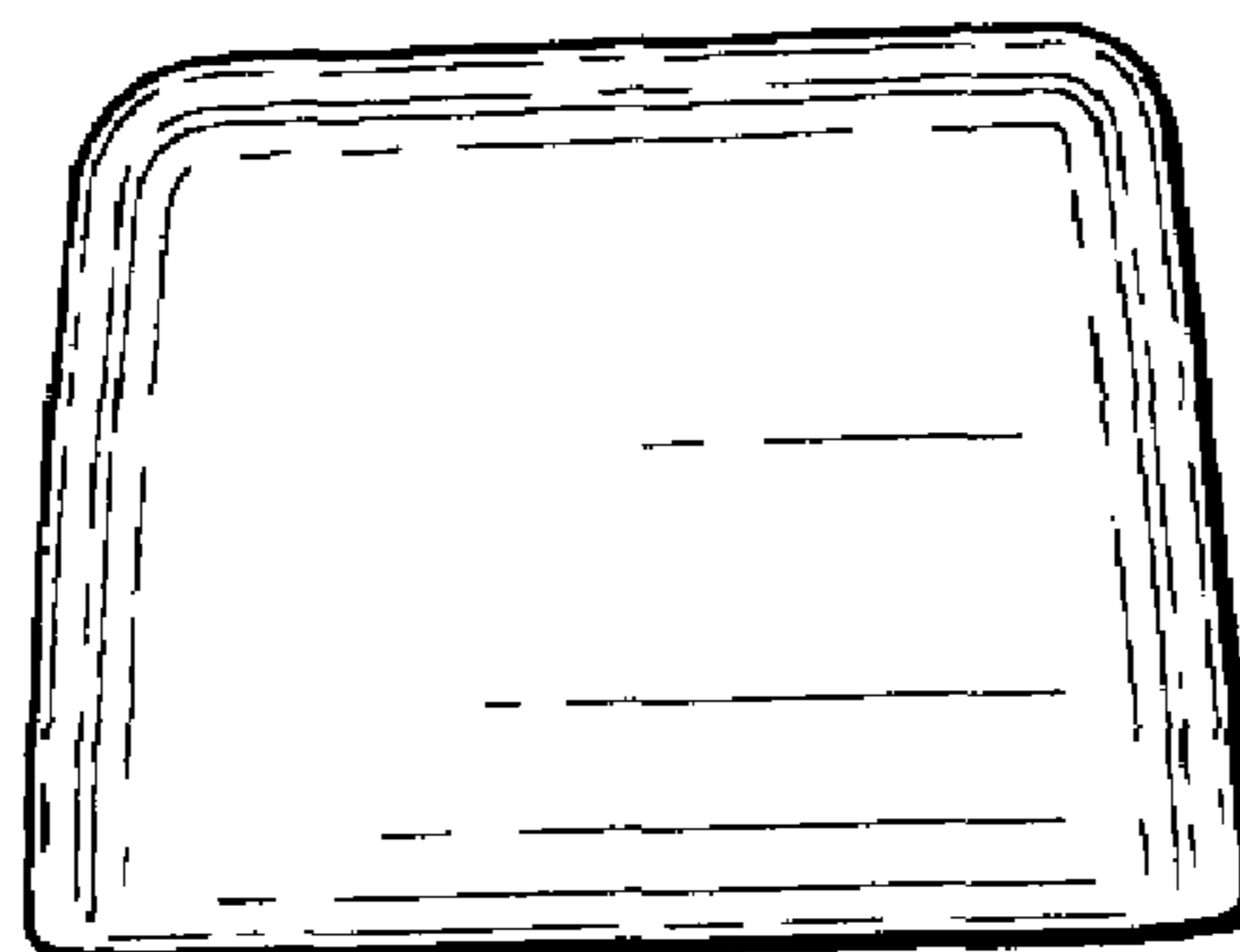


FIG. 7

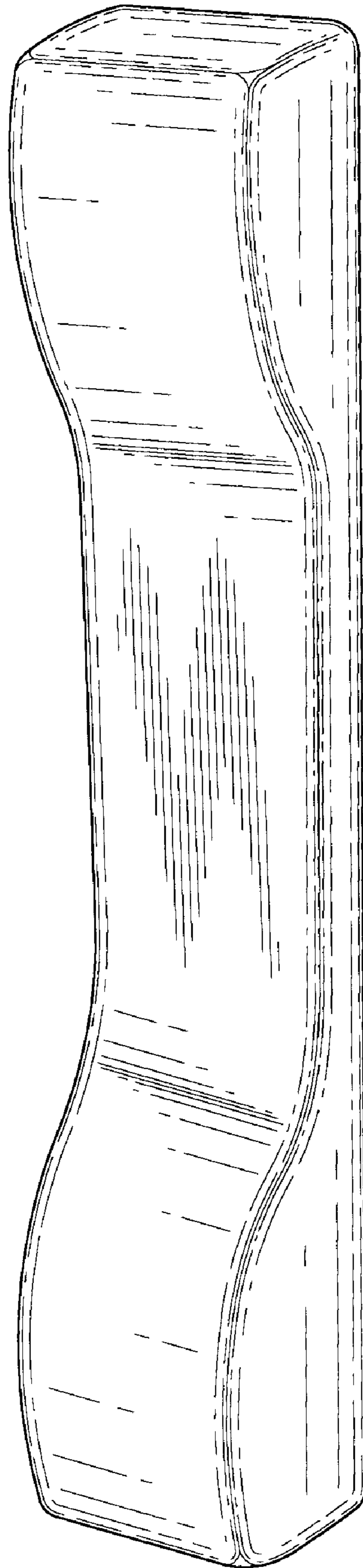


FIG. 8

