



US00D562809S

(12) **United States Design Patent**
Yang

(10) **Patent No.:** **US D562,809 S**

(45) **Date of Patent:** **** Feb. 26, 2008**

(54) **EARPHONE**

(75) Inventor: **Bill Yang**, Taipei (TW)

(73) Assignee: **Cotron Corporation**, Taipei (TW)

(**) Term: **14 Years**

(21) Appl. No.: **29/275,686**

(22) Filed: **Jan. 4, 2007**

(51) **LOC (8) Cl.** **14-01**

(52) **U.S. Cl.** **D14/223**

(58) **Field of Classification Search** D14/205,
D14/206, 223, 249, 228, 142; D24/174;
181/129-130, 135, 137; 379/430-431, 433,
379/444; 381/376, 377, 378, 379, 380, 381,
381/370, 322, 371

See application file for complete search history.

(56) **References Cited**

U.S. PATENT DOCUMENTS

4,720,857	A *	1/1988	Burris et al.	379/430
4,736,435	A *	4/1988	Yokoyama et al.	381/380
4,742,887	A *	5/1988	Yamagishi	181/129
D357,921	S *	5/1995	Ming-Chin	D14/223
D369,349	S *	4/1996	Hayashi	D14/223
D371,368	S *	7/1996	Hayashi	D14/223

D409,621	S *	5/1999	Andrea	D14/223
D430,146	S *	8/2000	Lin	D14/223
D463,397	S *	9/2002	Bergfeldt	D14/205
D477,821	S *	7/2003	Bieltvedt et al.	D14/206
6,704,429	B2 *	3/2004	Lin	381/380
D538,784	S *	3/2007	Eklund	D14/205

* cited by examiner

Primary Examiner—Paula A. Greene

(74) *Attorney, Agent, or Firm*—Jianq Chyun IP Office

(57) **CLAIM**

The ornamental design for an earphone, as shown.

DESCRIPTION

FIG. 1 is a perspective view of an earphone showing the new design;

FIG. 2 is a front view thereof;

FIG. 3 is a rear view thereof;

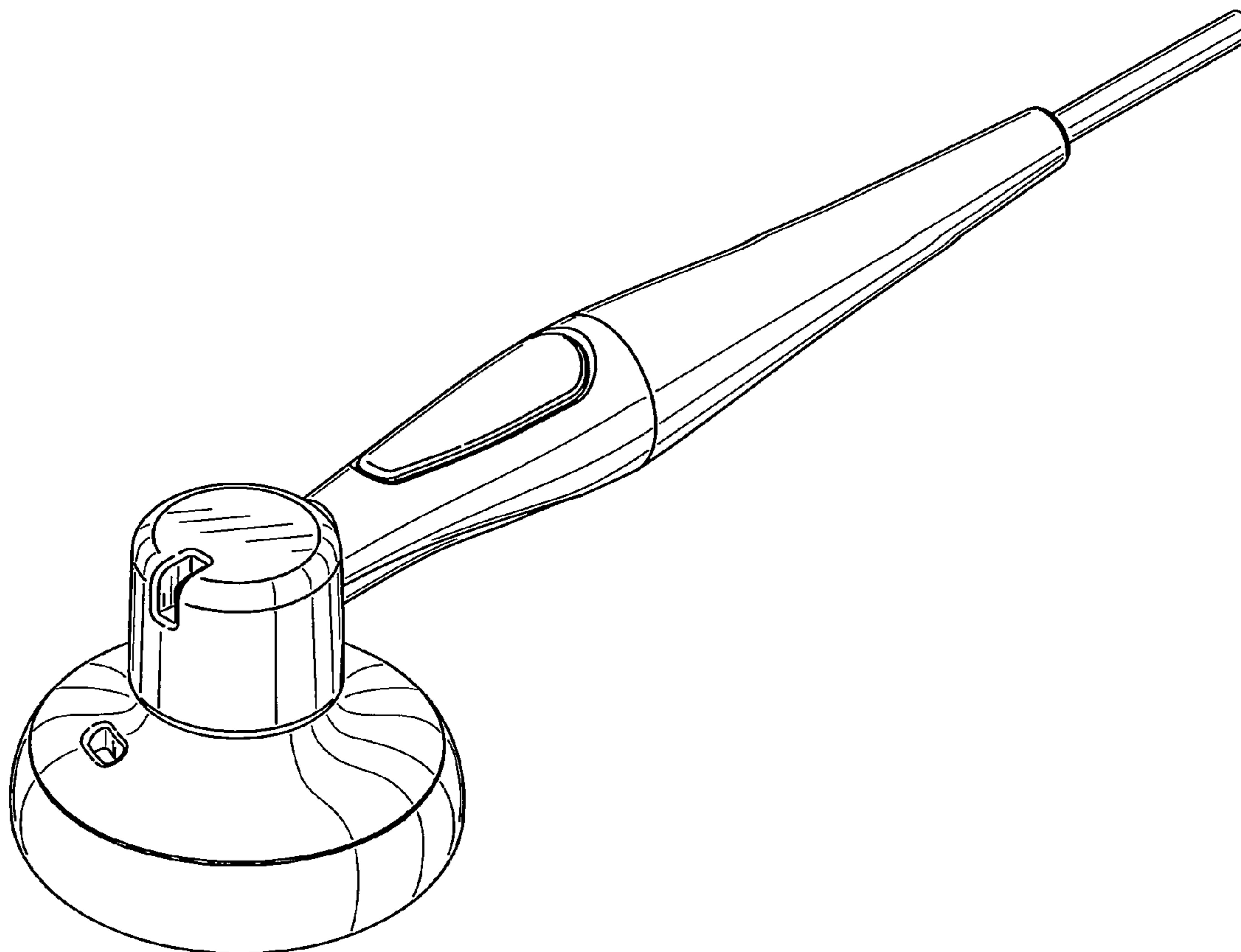
FIG. 4 is a left side view thereof;

FIG. 5 is a right side view thereof;

FIG. 6 is a top view thereof; and,

FIG. 7 is a bottom view thereof.

1 Claim, 6 Drawing Sheets



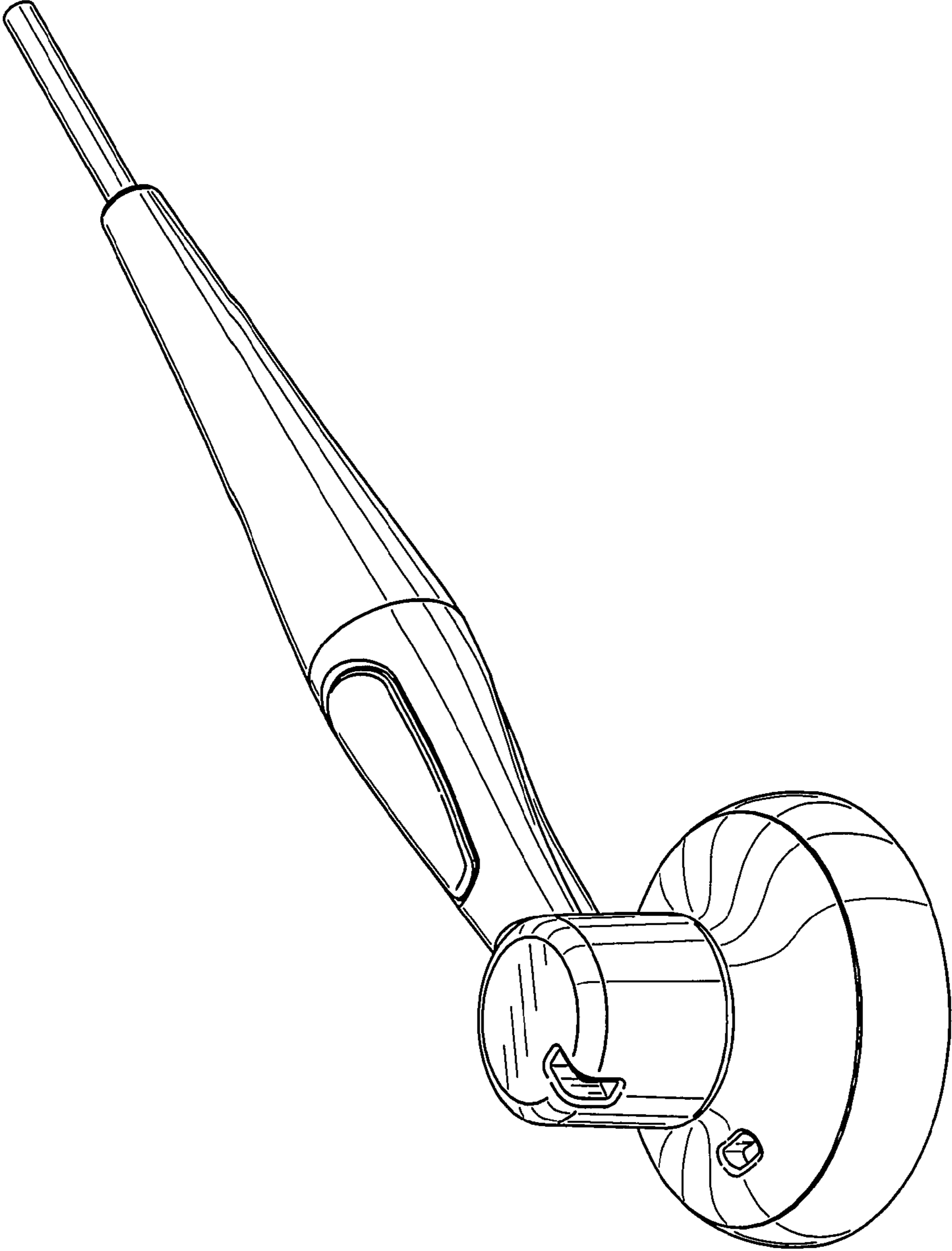


FIG. 1



FIG. 2



FIG. 3

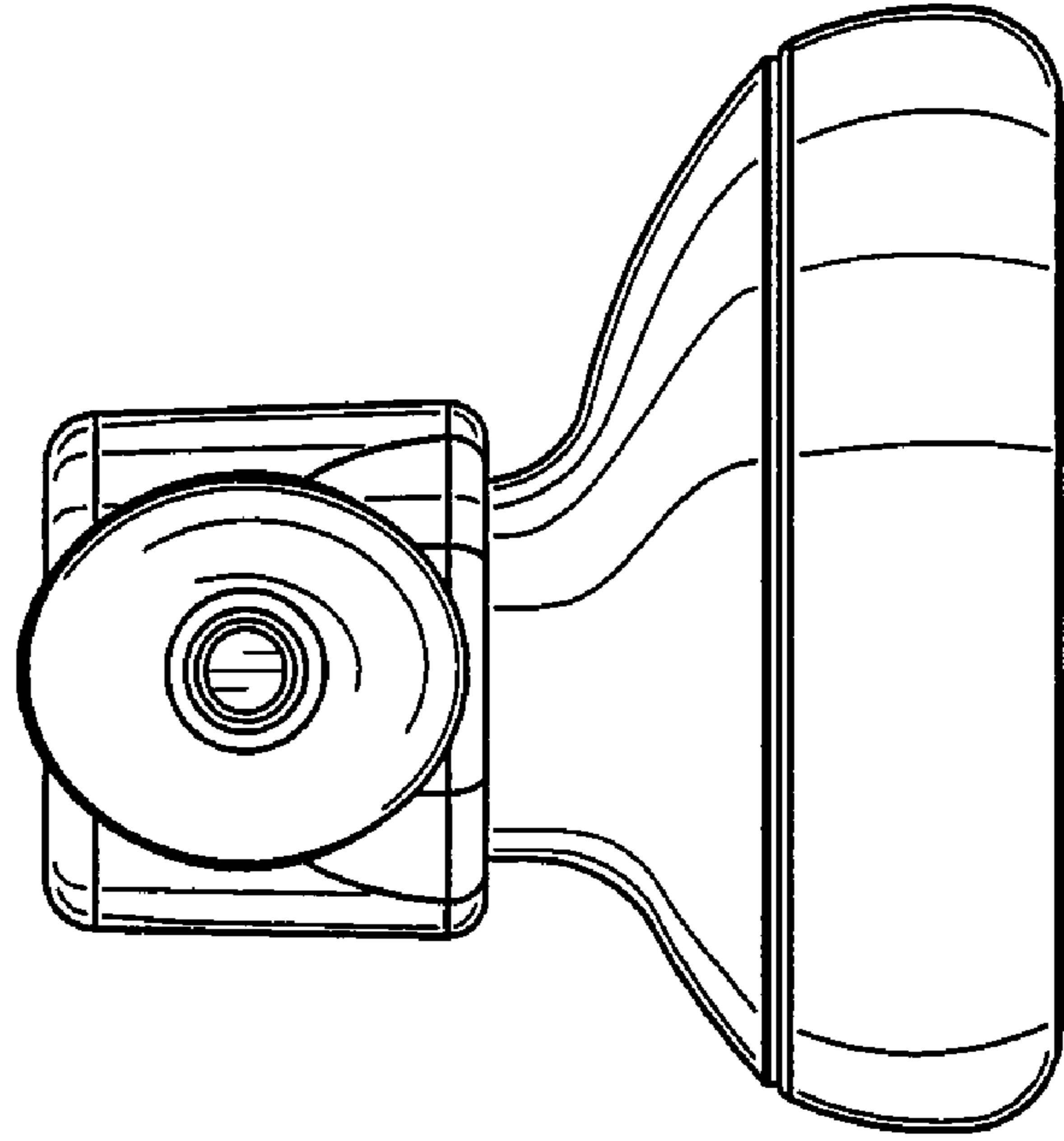


FIG. 5

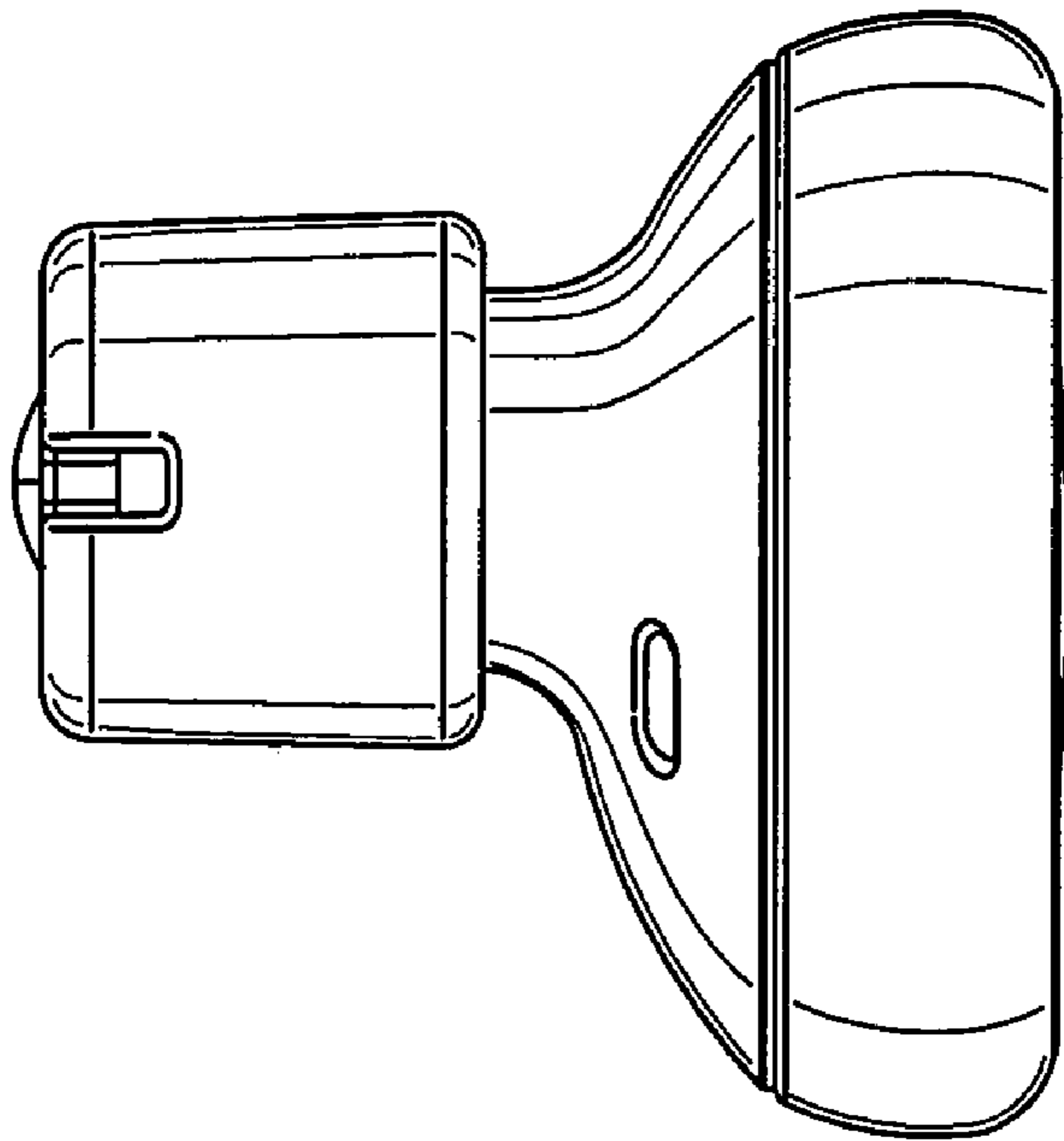


FIG. 4

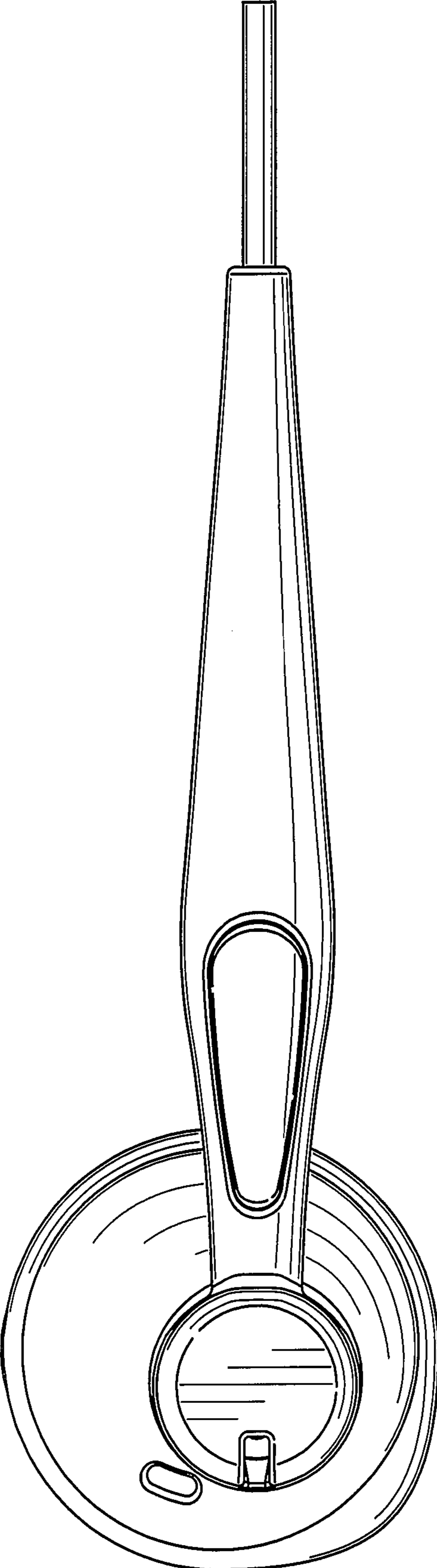


FIG. 6

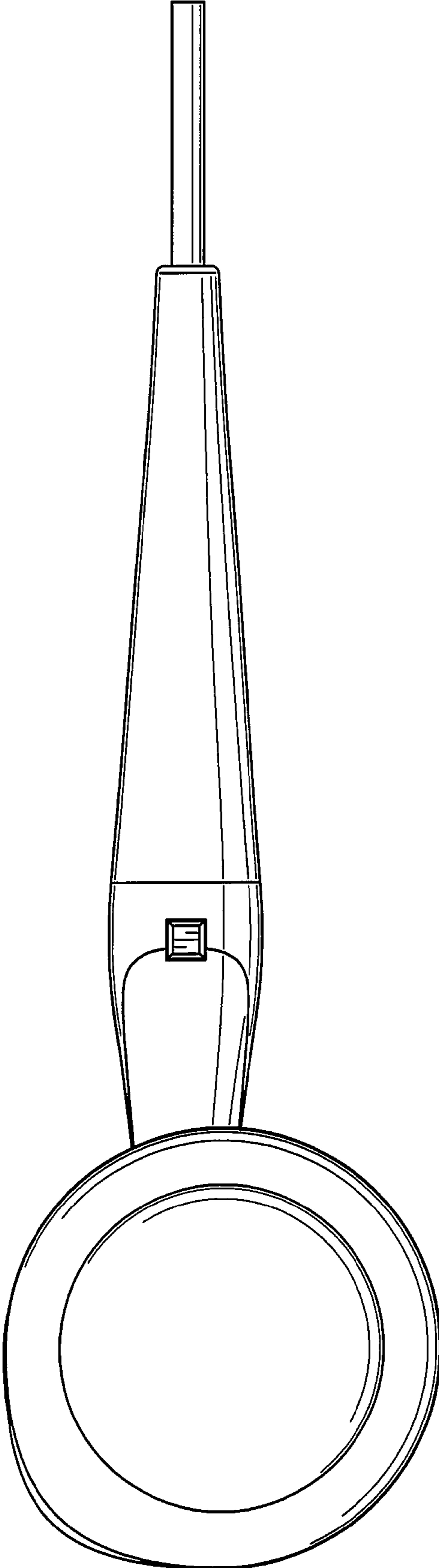


FIG. 7